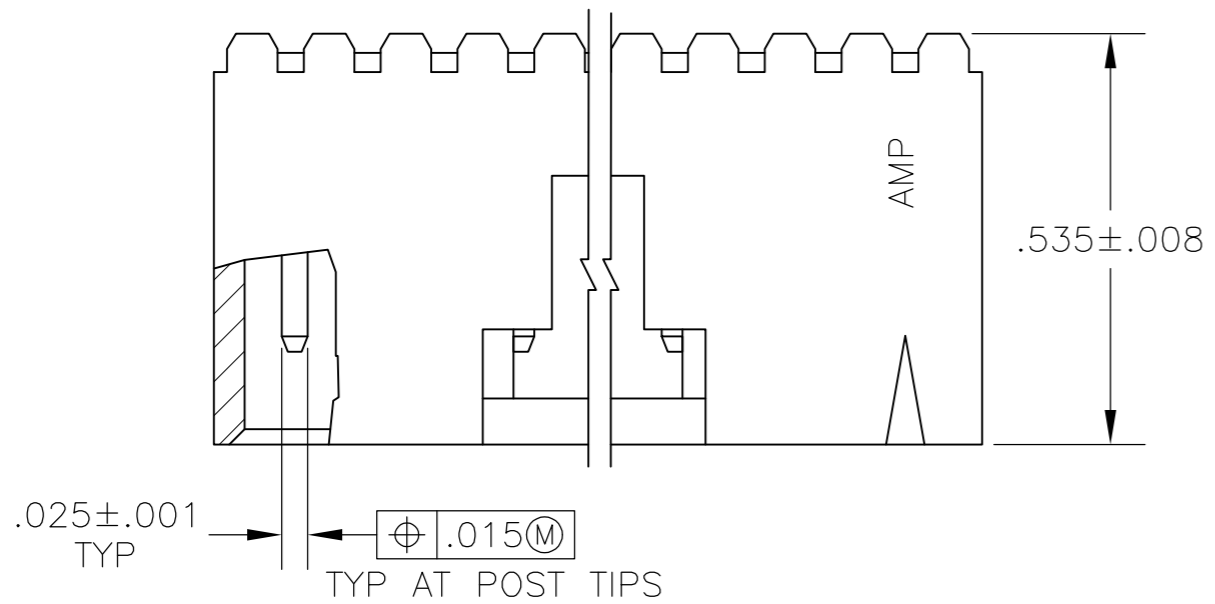
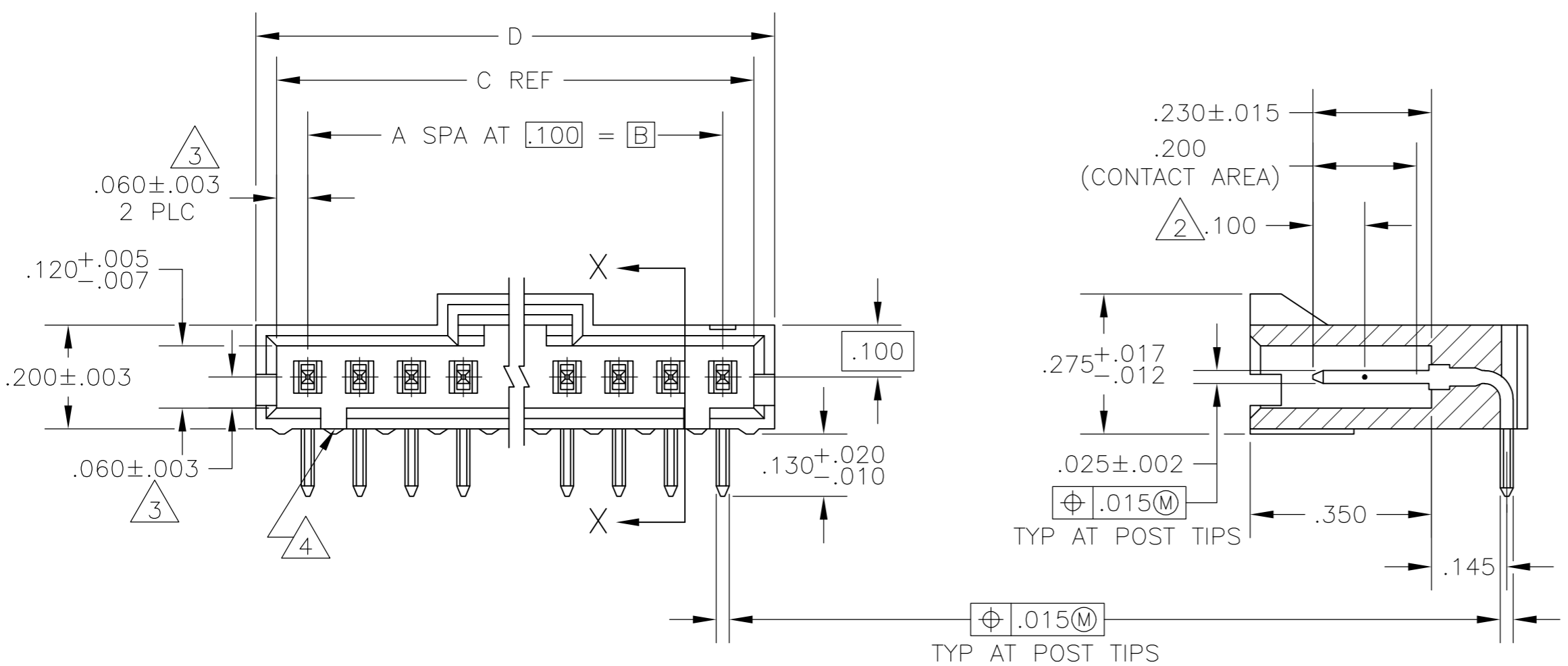


THIS DRAWING IS UNPUBLISHED. RELEASED FOR PUBLICATION
 © COPYRIGHT - By - ALL RIGHTS RESERVED.

LOC	DIST	REVISIONS					
		P	LTR	DESCRIPTION	DATE	DWN	APVD
AD	00		M2	REVISED PER ECO-11-004820	11MAR11	RK	HMR

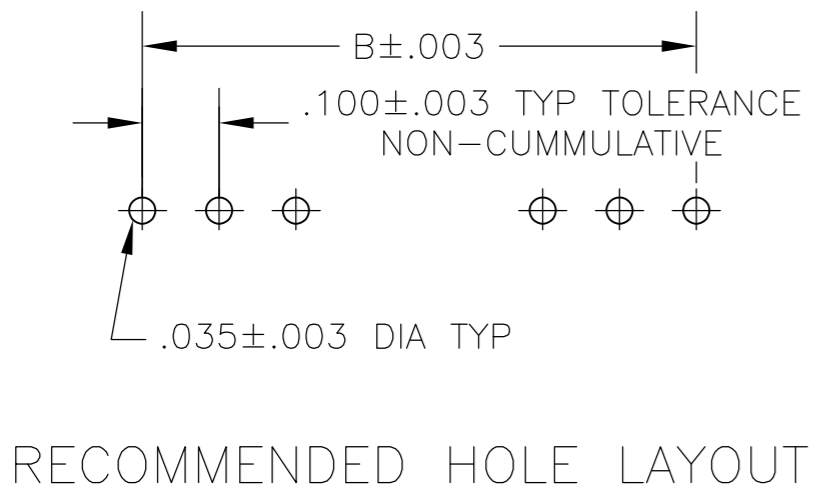


- 1 .000030 GOLD IN THE CONTACT AREA, .000100-.000200 MATTE TIN-LEAD ON THE SOLDER TAIL, ALL OVER .000050 NICKEL
- 2 POINT OF MEASUREMENT FOR PLATING THICKNESS
- 3 THE NOTED DIMENSIONS APPLY FROM THE BASIC DIMENSION LINE (NOT THE POST CENTERLINE) TO THE SURFACE INDICATED
- 4 ON ASSEMBLIES WITH FOUR OR MORE POSITIONS, TWO POLARIZATION SLOTS. ON ASSEMBLIES WITH TWO OR THREE POSITIONS, ONE POLARIZATION SLOT.
- 5 OBSOLETE PARTS: OBSOLETE CIS STREAMLINING PER D.RENAUD/D.SINISI



SECTION X-X

Part No.	D	C	B	A	NO OF POS	ASSEMBLY PART NUMBER
5 SUPERSEDED BY 7-104935-4	2.600	2.520	2.400	24	25	2-103906-4
	2.500	2.420	2.300	23	24	2-103906-3
5 SUPERSEDED BY 7-104935-2	2.400	2.320	2.200	22	23	2-103906-2
5 SUPERSEDED BY 7-104935-1	2.300	2.220	2.100	21	22	2-103906-1
5 SUPERSEDED BY 7-104935-0	2.200	2.120	2.000	20	21	2-103906-0
	2.100	2.020	1.900	19	20	1-103906-9
5 SUPERSEDED BY 6-104935-8	2.000	1.920	1.800	18	19	1-103906-8
5 SUPERSEDED BY 6-104935-7	1.900	1.820	1.700	17	18	1-103906-7
5 SUPERSEDED BY 6-104935-6	1.800	1.720	1.600	16	17	1-103906-6
	1.700	1.620	1.500	15	16	1-103906-5
5 SUPERSEDED BY 6-104935-4	1.600	1.520	1.400	14	15	1-103906-4
	1.500	1.420	1.300	13	14	1-103906-3
5 SUPERSEDED BY 6-104935-2	1.400	1.320	1.200	12	13	1-103906-2
	1.300	1.220	1.100	11	12	1-103906-1
	1.200	1.120	1.000	10	11	1-103906-0
	1.100	1.020	.900	9	10	103906-9
	1.000	.920	.800	8	9	103906-8
	.900	.820	.700	7	8	103906-7
	.800	.720	.600	6	7	103906-6
	.700	.620	.500	5	6	103906-5
	.600	.520	.400	4	5	103906-4
	.500	.420	.300	3	4	103906-3
	.400	.320	.200	2	3	103906-2
	.300	.220	.100	1	2	103906-1



THIS DRAWING IS A CONTROLLED DOCUMENT.

DWN LA MAYER 4-30-86
 CHK P deJONG 4-30-86
 APVD P deJONG 4-30-86

TE Connectivity

ASSY, AMPMODU MTE, HEADER, RIGHT
 ANGLE, SINGLE ROW, .100 C/L
 .025 SQ POST, WITH LATCH

108-25034

SIZE A2 CAGE CODE 00779 C=103906

SCALE 4:1 SHEET 1 OF 1 REV M2

POST: 1