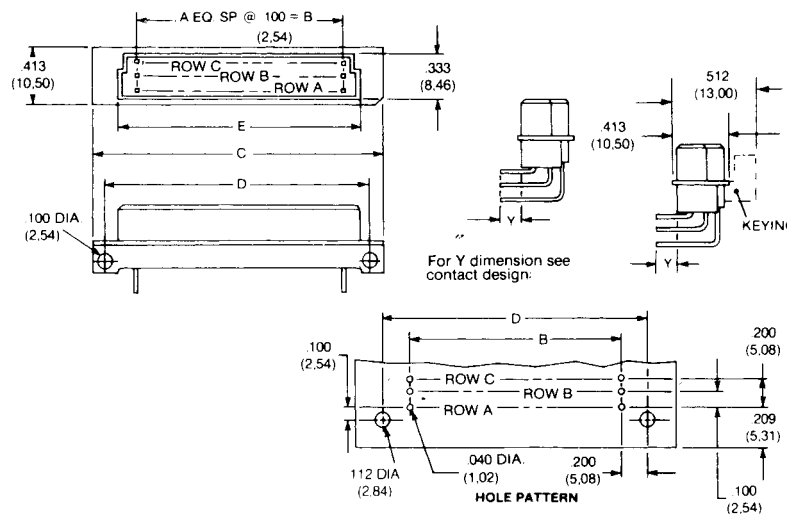


DIN 41612 Connectors



Series 8477 – Female Style R - 3 Rows (3 x 32) Inverted - .100 Pitch

Dimensions



Inches (mm)

No. Contact Positions	Contact Rows	A	B	C	D	E
096	3 (3 x 32)	31	3.100 (78.74)	3.367 (93.90)	3.500 (88.90)	3.343 (84.91)

Contact Design and Termination Length	Number of Positions	Loading Description	Part Number Performance classes according to DIN 41612		
			III	II	I
0.6 x 0.6 mm Post Profile 3.0 mm (Y) Right Angled	96	a + b + c fully loaded	20 8477 096 002 001	20 8477 096 002 025	20 8477 096 002 049
	64	a + c fully loaded	20 8477 096 002 002	20 8477 096 002 026	20 8477 096 002 050
	32	a + c even loading	20 8477 096 002 009	20 8477 096 002 033	20 8477 096 002 057
	32	a loading only	20 8477 096 002 003	20 8477 096 002 027	20 8477 096 002 051
0.3 x 0.79 mm Post Profile 3.0 mm (Y) Right Angled	96	a + b + c fully loaded	20 8477 096 006 001	20 8477 096 006 025	20 8477 096 006 049
	64	a + c fully loaded	20 8477 096 006 002	20 8477 096 006 026	20 8477 096 006 050
	32	a + c even loading	20 8477 096 006 009	20 8477 096 006 033	20 8477 096 006 057
	32	a loading only	20 8477 096 006 003	20 8477 096 006 027	20 8477 096 006 051
11.43 mm (Y) Right Angled	96	a + b + c fully loaded	20 8477 096 008 001	20 8477 096 008 025	20 8477 096 008 049
	64	a + c fully loaded	20 8477 096 008 002	20 8477 096 008 026	20 8477 096 008 050
	32	a + c even loading	20 8477 096 008 009	20 8477 096 008 033	20 8477 096 008 057
	32	a loading only	20 8477 096 008 003	20 8477 096 008 027	20 8477 096 008 051
4.5 mm (Y) Right Angled	96	a + b + c fully loaded	20 8477 096 009 001	20 8477 096 009 025	20 8477 096 009 049
	64	a + c fully loaded	20 8477 096 009 002	20 8477 096 009 026	20 8477 096 009 050
	32	a + c even loading	20 8477 096 009 009	20 8477 096 009 033	20 8477 096 009 057
	32	a loading only	20 8477 096 009 003	20 8477 096 009 027	20 8477 096 009 051
4.5 mm (Y) Right Angled	96	a + b + c fully loaded	20 8477 096 012 001	20 8477 096 012 025	20 8477 096 012 049
	64	a + c fully loaded	20 8477 096 012 002	20 8477 096 012 026	20 8477 096 012 050
	32	a + c even loading	20 8477 096 012 009	20 8477 096 012 033	20 8477 096 012 057
	32	a loading only	20 8477 096 012 003	20 8477 096 012 027	20 8477 096 012 051

Additional information on this product is available from AVX's catalog or AVX's FAX Service. Call 1-800-879-1613 and request document #213. Visit our website <http://www.avxcorp.com>