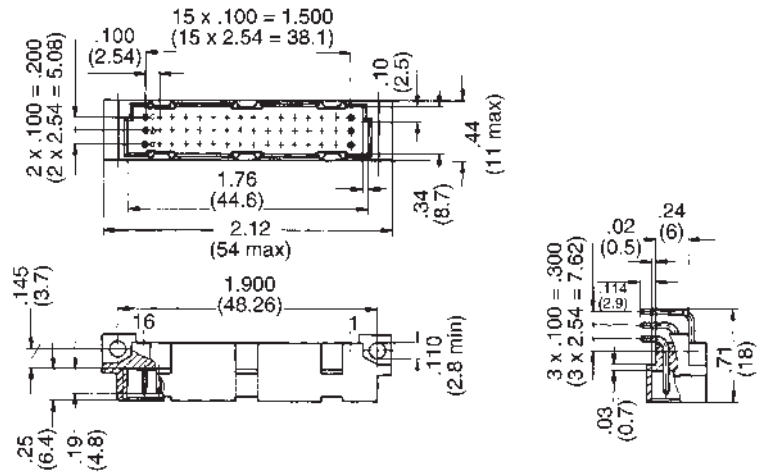
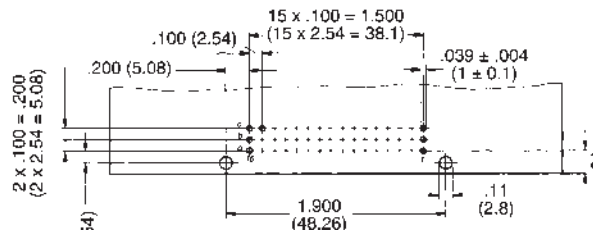


**Type 1/2 C —
Series 100**


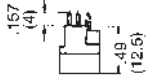
**32 and 48 Contact Male
Connectors — Three Row**



Printed Circuit Layout

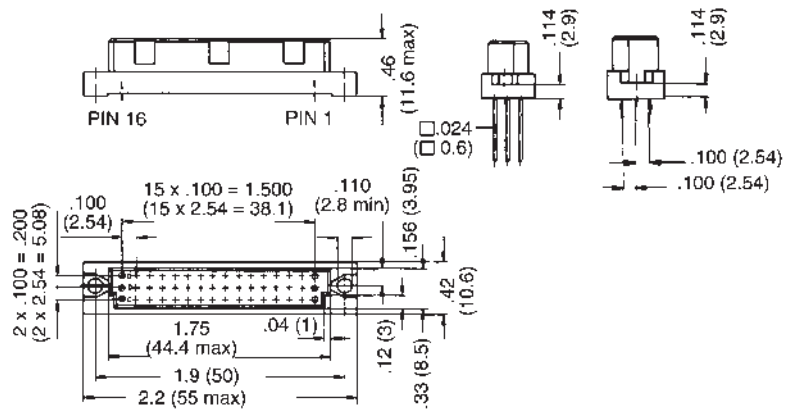


Part Numbers

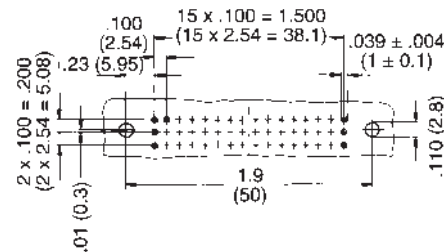
No. of Contacts	Contact Arrangement	Performance Level	Termination Methods	
				
32	Row a + c	2	100-332-033	100-332-133
		3	100-332-053	100-332-153
48	Fully Equipped	2	100-348-033	100-348-133
		3	100-348-053	100-348-153

**Type 1/2 C —
Series 100**

**32 and 48 Contact Female
Connectors — Three Row**



Printed Circuit Layout

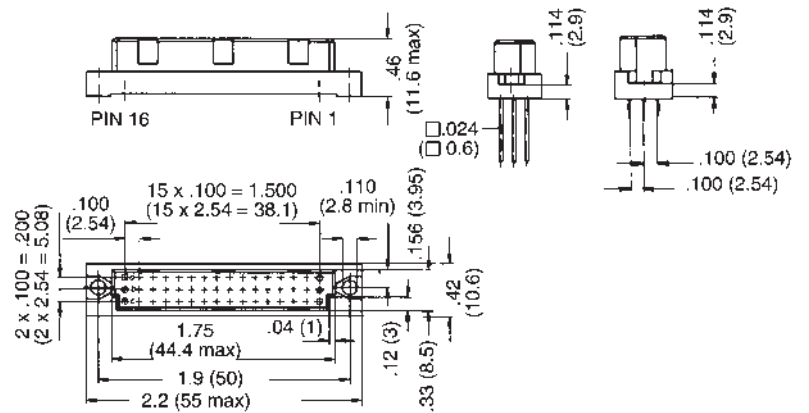


Part Numbers

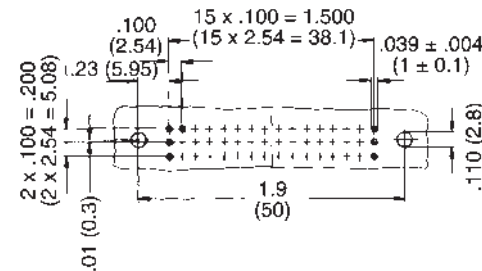
No. of Contacts	Contact Arrangement	Performance Level	Termination Methods			
32	Row a + c	2	—	100-332-432	100-332-433	100-332-533
		3	—	100-332-452	100-332-453	—
48	Fully Equipped	2	100-348-431	100-348-432	100-348-433	100-348-533
		3	100-348-451	100-348-452	100-348-453	—

**Type 1/2 C
Series 100**

**Press-Fit 48 Contact Female
Connectors — Three Row**



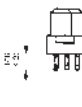
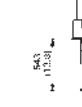
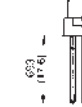
Printed Circuit Layout



Press-Fit Technical Specifications

Compliant Pin	
P.C.B. Thickness	.06 - .13 (1.6 - 3.2 mm)
Finished Hole Size	.037 - .043 (0.94 - 1.09 mm)
Drill Size	.045 ± .0004 (1.15 ^{+0.01} mm)
Copper	100μ" 300μ" (25-76μm)
Tin-Lead	30μ" (6μm min)

Part Numbers

No. of Contacts	Contact Arrangement	Performance Level	Press-Fit			Press-Fit Insertion Die
						
48	Fully Equipped	2	100-348-932	—	—	200-022-073
		3	100-348-952	—	—	