



FAGOR ELECTRONICS

2 Amp. Fast Recovery Silicon Diodes

T-03-15

<p>Dimensions in mm.</p> <p>DO-201 AD DO-27 A (Plastic)</p>	<p>Voltage 100 to 1.000 V.</p> <p>Current 2.0 A. at 50°C.</p>
<p><b>Mounting instructions</b></p> <ol style="list-style-type: none"> <li>1. Min. distance from body to soldering point, 4 mm.</li> <li>2. Max. solder temperature, 350°C.</li> <li>3. Max. soldering time, 3,5 sec.</li> <li>4. Do not bend lead at a point closer than 3 mm. to the body.</li> </ol>	<ul style="list-style-type: none"> <li>• <b>Fast Recovery Diodes</b></li> <li>• Diffused junction</li> <li>• High current capability</li> <li>• The plastic material carries U/L recognition 94 V-0</li> <li>• Terminals: Axial Leads</li> <li>• Polarity: Color band denotes cathode</li> </ul>

**Maximum Ratings, according to IEC publication No. 134**

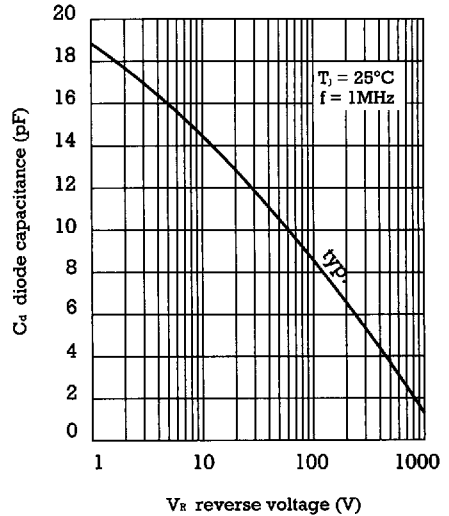
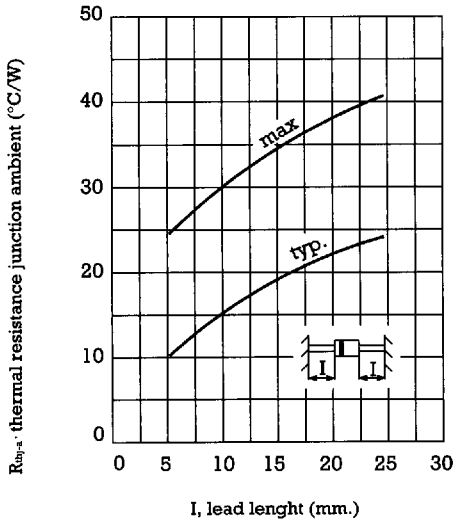
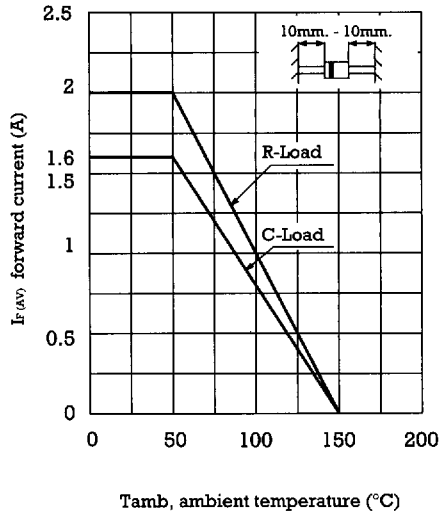
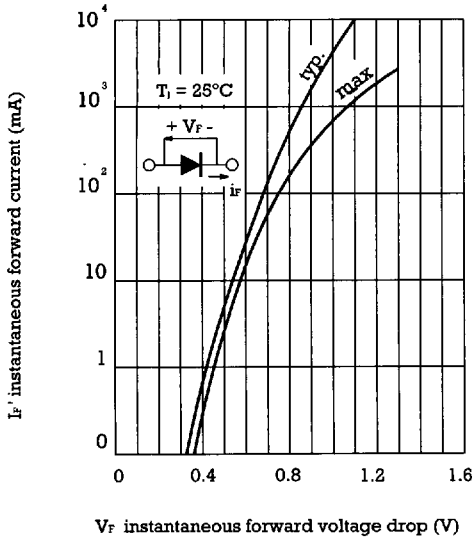
		BY 296	BY 297	BY 298	BY 299	BY 299S
$V_{RRM}$	Peak recurrent and non recurrent reverse voltage (V)	100	200	400	800	1000
$I_{F(AV)}$	Forward current, R load at $T_{amb} = 50^\circ C$	2 A				
$I_{FRM}$	Recurrent peak forward current (A)	10 A				
$I_{FSM}$	10 ms. peak forward surge current at $T_j = 25^\circ C$	70 A				
$t_{tr}$	Max. reverse recovery time from $I_f = 0.5 A$ to $I_r = 1 A$ with $I_{tr} = 0.25 A$	250 ns				
$T_j$	Max. operating temperature	+ 150°C				
$T_{stg}$	Storage temperature range	- 65 to + 150°C				

**Electrical Characteristics at  $T_{amb} = 25^\circ C$**

$V_F$	Max. forward voltage drop at $I_f = 3 A$	1.3 V
$I_R$	Max. reverse current at $V_{RRM}$ at $25^\circ C$	10 $\mu A$
$R_{th-a}$	Max. thermal resistance ( $l = 10 mm.$ )	30° C/W

Characteristic Curves

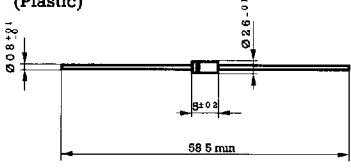
FAGOR ELECTRONICS



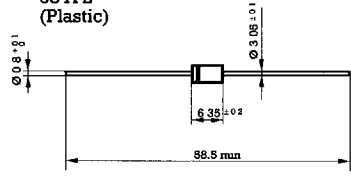
**Package Outlines**

Dimensions in mm.

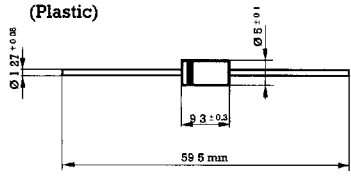
**1** DO-41  
(Plastic)



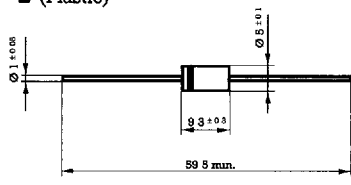
**2** DO-15  
F-126  
58 A 2  
(Plastic)



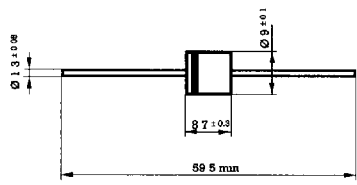
**3** DO-27 A  
DO-201 AD  
(Plastic)



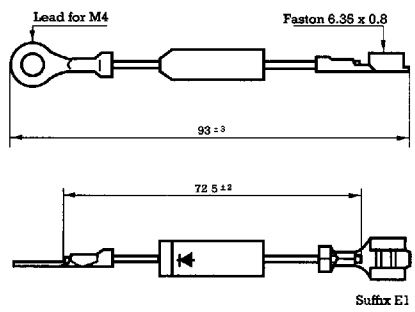
**4** DO-201 AE  
(Plastic)



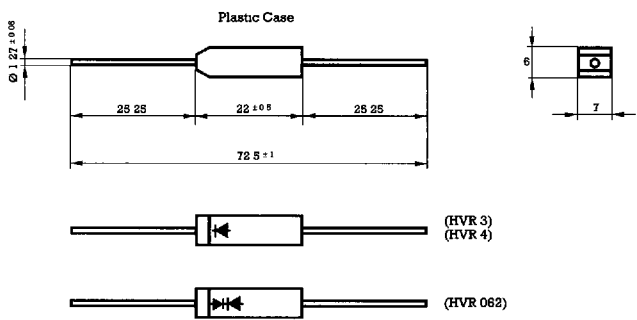
**5** P-6  
(Plastic)



**7**



**6**

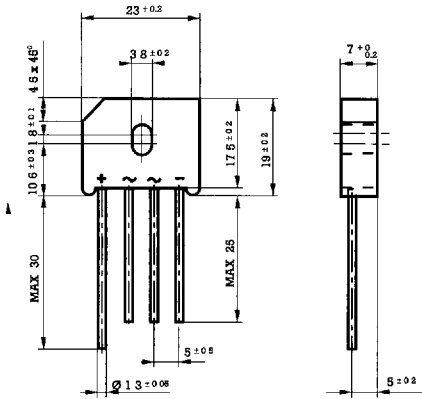




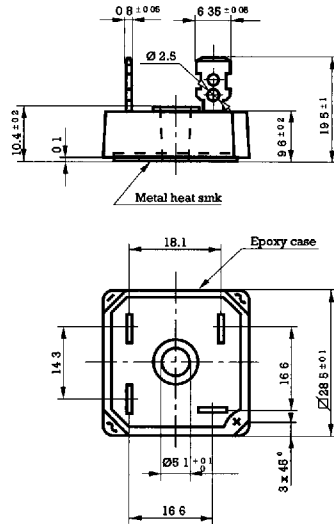
**Package Outlines**

**Dimensions in mm.**

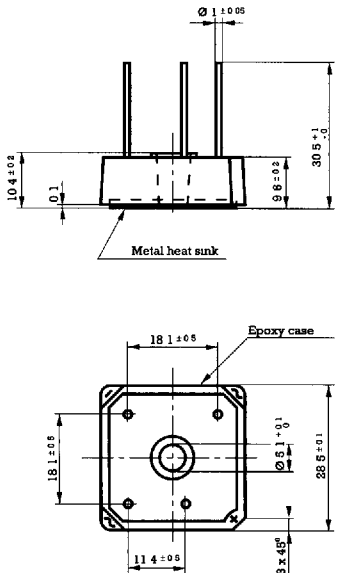
**12**



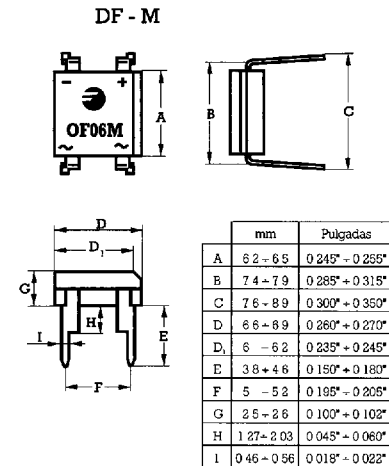
**13**



**14**



**15**

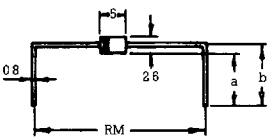
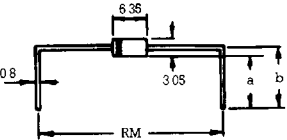
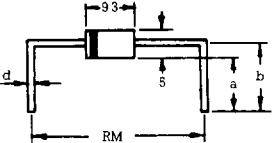
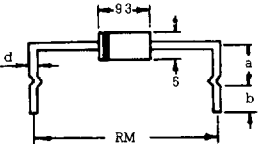
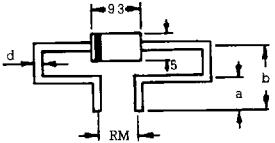
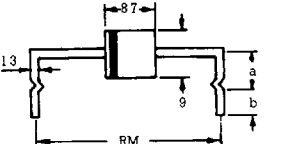




**Standard lead forming specifications**

**Dimensions in mm.**

Plastic Cases

DO-41 	Type	Dimensions				
		a	b	RM		
		C2-3	3 ± 0.5	4.3 ± 0.5	10 ± 0.5	
		C2-5	10 ± 0.5	11.3 ± 0.5	10 ± 0.5	
C2-8	4 ± 0.5	5.3 ± 0.5	10 ± 0.5			
DO-15 	Type	Dimensions				
		a	b	RM		
		C2-3	3 ± 0.5	4.5 ± 0.5	10 ± 0.5	
		C2-5	10 ± 0.5	11.5 ± 0.5	10 ± 0.5	
C2-8	4 ± 0.5	5.5 ± 0.5	10 ± 0.5			
DO-201AD DO-27A (d = 1.27) 	DO-201AE (d = 1)	Type	Dimensions			
			a	b	RM	
			C2-1	3.5 ± 0.5	6 ± 0.5	15 ± 0.5
			C2-2	4 ± 0.5	6.5 ± 0.5	15 ± 0.5
			C2-4	7.5 ± 0.3	10 ± 0.3	17.8 ± 0.15
			C2-6	3.5 ± 0.5	6 ± 0.5	17.5 ± 0.5
			C2-7	4.5 ± 0.5	7 ± 0.5	21 ± 0.5
			C2-11	4.5 ± 0.5	7 ± 0.5	17.5 ± 0.5
			C2-12	12.5 ± 0.5	15 ± 0.5	17.5 ± 0.5
			C2-13	16 ± 0.5	18.5 ± 0.5	15.2 ± 0.5
			C2-14	7.5 ± 0.5	10 ± 0.5	15 ± 0.5
			C2-17	4 ± 0.5	8.5 ± 0.5	20 ± 0.5
DO-201AD DO-27A (d = 1.27) 	DO-201AE (d = 1)	Type	Dimensions			
			a	b	RM	
			C6-1	10 ± 0.5	5 ± 0.5	15.2 ± 0.5
			C6-2	10 ± 0.5	5 ± 0.5	17.5 ± 0.5
			C6-3	7 ± 0.5	5 ± 0.5	21 ± 0.5
			C6-4	13.5 ± 0.5	5 ± 0.5	15.2 ± 0.5
C6-5	10 ± 0.5	5 ± 0.5	20 ± 0.5			
DO-201AD DO-27A (d = 1.27) 	DO-201AE (d = 1)	Type	Dimensions			
			a	b	RM	
C4-2	4.5 ± 0.3	10.5 ± 0.3	7.5 ± 0.5			
P-6 	Type	Dimensions				
		a	b	RM		
		C6-1	10 ± 0.5	5 ± 0.5	15.2 ± 0.5	
		C6-2	10 ± 0.5	5 ± 0.5	17.5 ± 0.5	
		C6-3	7 ± 0.5	5 ± 0.5	21 ± 0.5	
C6-4	13.5 ± 0.5	5 ± 0.5	15.2 ± 0.5			