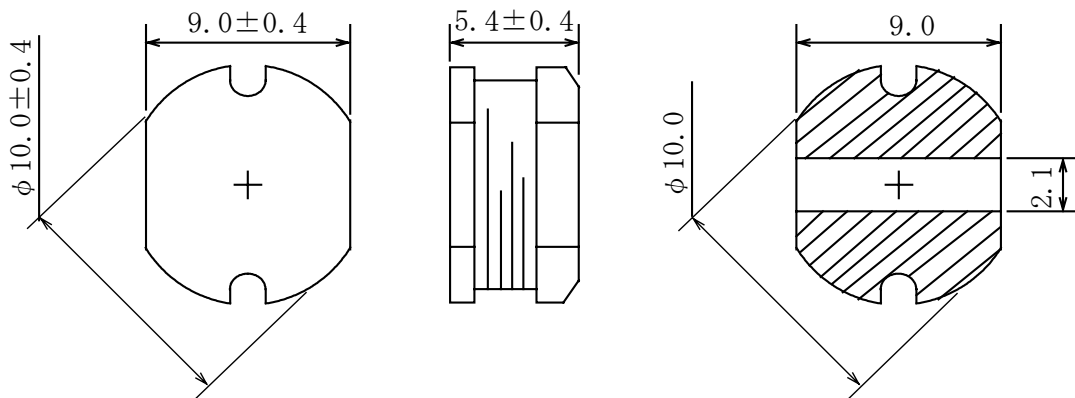
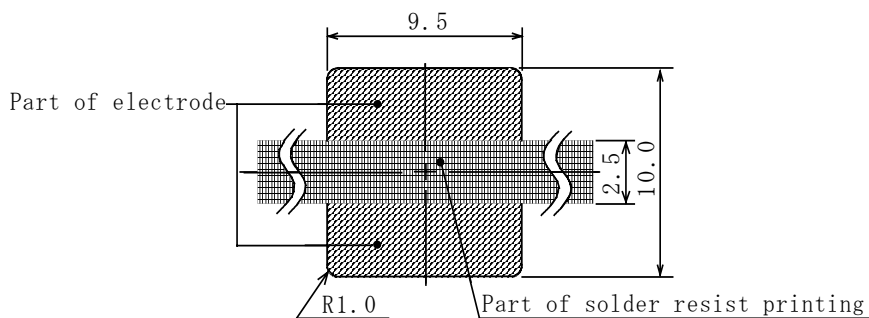


Type: CD105, CD105B
◆ Product Description

- 10.4×9.4mm Max.(L×W), 5.8mm Max. Height.
- Inductance range: 10~820 μ H
- Rated current range:0.24~2.6A(at 20°C for two types)
0.22~1.92A(at 105°C for CD105B)
- In addition to the standards versions shown here, custom inductors are also available to meet your exact requirements.


◆ Feature

- Magnetically unshielded construction.
- Ideally used in PDA,MP3,DSC/DVC,HDD,Portable DVD,etc as DC-DC Converter inductors.
- RoHS Compliance

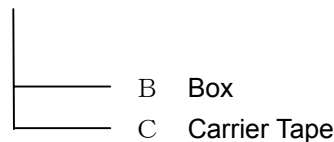
◆ Dimensions (mm)

◆ Land Pattern (mm)


Type: CD105, CD105B
◆ Specification(CD105)

Part Name ※	Stamp	Inductance [Within] ※1	D.C.R. (Ω) [MAX.] (at 20°C)	Rated current (A) ※2	S.R.F. (MHz) [TYP.]
CD105NP-100M□	100M	10 μH ± 20%	0.06	2.60	25.1
CD105NP-120M□	120M	12 μH ± 20%	0.07	2.45	23.1
CD105NP-150M□	150M	15 μH ± 20%	0.08	2.27	19.1
CD105NP-180M□	180M	18 μH ± 20%	0.09	2.15	18.1
CD105NP-220M□	220M	22 μH ± 20%	0.10	1.95	15.9
CD105NP-270M□	270M	27 μH ± 20%	0.11	1.76	14.0
CD105NP-330M□	330M	33 μH ± 20%	0.12	1.50	13.1
CD105NP-390M□	390M	39 μH ± 20%	0.14	1.37	12.2
CD105NP-470K□	470K	47 μH ± 10%	0.17	1.28	10.6
CD105NP-560K□	560K	56 μH ± 10%	0.19	1.17	10.2
CD105NP-680K□	680K	68 μH ± 10%	0.22	1.11	9.26
CD105NP-820K□	820K	82 μH ± 10%	0.25	1.00	8.45
CD105NP-101K□	101K	100 μH ± 10%	0.35	0.97	7.64
CD105NP-121K□	121K	120 μH ± 10%	0.40	0.89	6.65
CD105NP-151K□	151K	150 μH ± 10%	0.47	0.78	5.86
CD105NP-181K□	181K	180 μH ± 10%	0.63	0.72	5.71
CD105NP-221K□	221K	220 μH ± 10%	0.73	0.66	5.25
CD105NP-271K□	271K	270 μH ± 10%	0.97	0.57	4.62
CD105NP-331K□	331K	330 μH ± 10%	1.15	0.52	4.07
CD105NP-391K□	391K	390 μH ± 10%	1.30	0.48	3.91
CD105NP-471K□	471K	470 μH ± 10%	1.48	0.42	3.61
CD105NP-561K□	561K	560 μH ± 10%	1.90	0.33	3.25
CD105NP-681K□	681K	680 μH ± 10%	2.25	0.28	2.96
CD105NP-821K□	821K	820 μH ± 10%	2.55	0.24	2.74

※ Description of part Name

C D 1 0 5 N P - 1 0 0 M □



※1: Measuring Frequency: 10 μH ~ 82 μH ; at 2.52 MHz
100 μH ~ 820 μH ; at 1 kHz

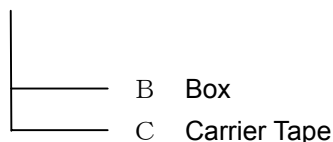
※2: Rated current: The DC current at which the inductance decreases to 90 % of its initial value or when Δt=40°C, whichever is lower (Ta=20°C).

Type: CD105, CD105B
◆ Specification(CD105B)

Part Name ※	Stamp	Inductance [Within] ※ 1	D.C.R. (Ω) [Max.] (at 20°C)	Rated Current (A)※2		S.R.F. (MHz) [Ref.]
				((20°C)	(105°C)	
CD1Ø5BNP-1ØØM□	100M	10 μ H±20%	0.06	2.60	1.92	25.1
CD1Ø5BNP-12ØM□	120M	12 μ H±20%	0.07	2.45	1.44	23.1
CD1Ø5BNP-15ØM□	150M	15 μ H±20%	0.08	2.27	1.36	19.1
CD1Ø5BNP-18ØM□	180M	18 μ H±20%	0.09	2.15	1.29	18.1
CD1Ø5BNP-22ØM□	220M	22 μ H±20%	0.10	1.95	1.24	15.9
CD1Ø5BNP-27ØM□	270M	27 μ H±20%	0.11	1.76	1.20	14.0
CD1Ø5BNP-33ØM□	330M	33 μ H±20%	0.12	1.50	1.04	13.1
CD1Ø5BNP-39ØM□	390M	39 μ H±20%	0.14	1.37	1.00	12.2
CD1Ø5BNP-47ØK□	470K	47 μ H±10%	0.17	1.28	0.88	10.6
CD1Ø5BNP-56ØK□	560K	56 μ H±10%	0.19	1.17	0.80	10.2
CD1Ø5BNP-68ØK□	680K	68 μ H±10%	0.22	1.11	0.71	9.26
CD1Ø5BNP-82ØK□	820K	82 μ H±10%	0.25	1.00	0.66	8.45
CD1Ø5BNP-1Ø1K□	101K	100 μ H±10%	0.35	0.97	0.63	7.64
CD1Ø5BNP-121K□	121K	120 μ H±10%	0.40	0.89	0.53	6.65
CD1Ø5BNP-151K□	151K	150 μ H±10%	0.47	0.78	0.47	5.86
CD1Ø5BNP-181K□	181K	180 μ H±10%	0.63	0.72	0.43	5.71
CD1Ø5BNP-221K□	221K	220 μ H±10%	0.73	0.66	0.40	5.25
CD1Ø5BNP-271K□	271K	270 μ H±10%	0.97	0.57	0.35	4.62
CD1Ø5BNP-331K□	331K	330 μ H±10%	1.15	0.52	0.33	4.07
CD1Ø5BNP-391K□	391K	390 μ H±10%	1.30	0.48	0.32	3.91
CD1Ø5BNP-471K□	471K	470 μ H±10%	1.48	0.42	0.30	3.61
CD1Ø5BNP-561K□	561K	560 μ H±10%	1.90	0.33	0.29	3.25
CD1Ø5BNP-681K□	681K	680 μ H±10%	2.25	0.28	0.24	2.96
CD1Ø5BNP-821K□	821K	820 μ H±10%	2.55	0.24	0.22	2.74

※ Description of part Name

C D 1 Ø 5 B N P - 1 Ø Ø M □



※1: Measuring Frequency: 10 μ H ~ 82 μ H ; at 2.52 MHz
100 μ H ~ 820 μ H ; at 1 kHz

※2: Rated current: The DC current at which the inductance decreases to 90 % of it's initial value or when Δt=40°C, whichever is lower (Ta=20°C).