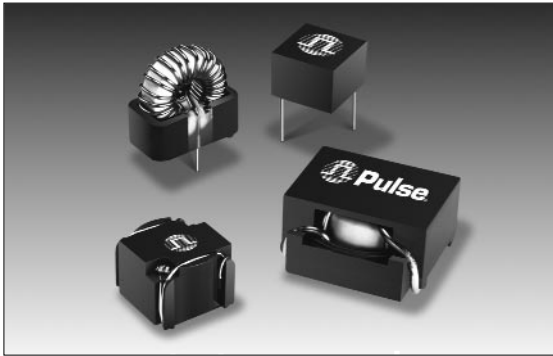


# INDUCTORS DESIGNED FOR NATIONAL'S 150 KHz SIMPLE SWITCHER™



- ⊕ Tested and recommended by National Semiconductor
- ⊕ Base material meets flammability requirements of UL 94V-0
- ⊕ Available in surface mount and through hole versions

## Electrical Specifications @ 25°C— Operating Temperature -30° to +130° C

Pulse THT Part Number	Pulse <sup>5</sup> SMT Part Number	National Part Number	In Circuit Operating Parameters <sup>1</sup>			Nominal DCR (Ω)	Package	
			Nominal Inductance (μH)	Rated Current (Amps DC)	Max <sup>2</sup> ETop (V-μSec)		Through Hole	Surface Mount
PE-53801	PE-53801S	LM259X-L1	259	0.13	23.1	3.4	LP-25	LCI-20
PE-53802	PE-53802S	LM259X-L2	178	0.16	16.5	2.8	LP-25	LCI-20
PE-53803	PE-53803S	LM259X-L3	118	0.2	13.2	1.8	LP-25	LCI-20
PE-53804	PE-53804S	LM259X-L4	79	0.25	9.9	1.5	LP-25	LCI-20
PE-53805	PE-53805S	LM259X-L5	55	0.3	6.6	1.0	LP-25	LCI-20
PE-53806	PE-53806S	LM259X-L6	39	0.34	6.6	.80	LP-25	LCI-20
PE-53807	PE-53807S	LM259X-L7	26	0.45	6.6	.62	LP-25	LCI-20
PE-53808	PE-53808S	LM259X-L8	374	0.2	75.9	2.7	LP-30	LCI-30
PE-53809	PE-53809S	LM259X-L9	256	0.25	33	2.2	LP-30	LCI-30
PE-53810	PE-53810S	LM259X-L10	176	0.3	26.4	1.4	LP-30	LCI-30
PE-53811	PE-53811S	LM259X-L11	118	0.38	19.8	1.2	LP-30	LCI-30
PE-53812	PE-53812S	LM259X-L12	78	0.46	16.5	0.8	LP-30	LCI-30
PE-53813	PE-53813S	LM259X-L13	55	0.56	13.2	0.5	LP-30	LCI-30
PE-53814	PE-53814S	LM259X-L14	39	0.68	9.9	0.3	LP-30	LCI-30
PE-53815	PE-53815S	LM259X-L15	26	0.84	6.6	0.2	LP-30	LCI-30
PE-53816	PE-53816S	LM259X-L16	17	1.02	6.6	0.1	LP-30	LCI-30
PE-53817	PE-53817S	LM259X-L17	375	0.36	75.9	1.3	LP-37	LCI-37
PE-53818	PE-53818S	LM259X-L18	252	0.44	49.5	0.9	LP-37	LCI-37
PE-53819	PE-53819S	LM259X-L19	173	0.54	36.3	0.6	LP-37	LCI-37
PE-53820	PE-53820S	LM259X-L20	115	0.67	29.7	0.4	LP-37	LCI-37
PE-53821	PE-53821S	LM259X-L21	78	0.82	23.1	0.3	LP-37	LCI-37
PE-53822	PE-53822S	LM259X-L22	54	1.0	16.5	0.2	LP-37	LCI-37
PE-53823	PE-53823S	LM259X-L23	38	1.2	13.2	0.1	LP-37	LCI-37
PE-53824	PE-53824S	LM259X-L24	26	1.48	9.9	0.1	LP-37	LCI-37
PE-53825	PE-53825S	LM259X-L25	18	1.81	9.9	0.06	LP-37	LCI-37
PE-53826	PE-53826S	LM259X-L26	377	0.68	75.9	1.0	LP-44	LCI-44
PE-53827	PE-53827S	LM259X-L27	248	0.83	72.6	0.6	LP-44	LCI-44
PE-53828	PE-53828S	LM259X-L28	168	1.02	56.1	0.4	LP-44	LCI-44
PE-53829	PE-53829S	LM259X-L29	112	1.26	42.9	0.3	LP-44	LCI-44
PE-53830	PE-53830S	LM259X-L30	77	1.54	33	0.2	LP-44	LCI-44
PE-53831	PE-53831S	LM259X-L31	53	1.87	26.4	0.13	LP-44	LCI-44
PE-53932	PE-53932S	LM259X-L32	37	2.24	19.8	0.10	LP-44	LCI-44
PE-53933	PE-53933S	LM259X-L33	24	2.74	16.5	0.07	LP-44	LCI-44
PE-53934	PE-53934S	LM259X-L34	17	3.0	13.2	0.05	KM-10	LCI-44
PE-53935	PE-53935S	LM259X-L35	250	1.5	72.6	0.23	KM-30	HCI-68
PE-54036	PE-54036S	LM259X-L36	168	1.81	75.9	0.18	KM-30	HCI-68
PE-54037	PE-54037S	LM259X-L37	114	2.22	62.7	0.10	KM-30	HCI-68
PE-54038	PE-54038S	LM259X-L38	77	2.7	52.8	0.09	KM-30	HCI-68
PE-54039	PE-54039S	LM259X-L39	53	3.0	42.9	0.08	KM-30	HCI-68
PE-54040	PE-54040S	LM259X-L40	38	3.0	29.7	0.05	KM-30	HCI-68
PE-54041	PE-54041S	LM259X-L41	25	3.0	19.8	0.04	KM-20	LCI-50
PE-54042	—	LM259X-L42	167	2.5	75.9	0.14	KM-40	—
PE-54043	—	LM259X-L43	110	3.0	75.9	0.09	KM-40	—
PE-54044	PE-54044S	LM259X-L44	77	3.0	59.4	0.08	KM-30	HCI-68
PE-53900	—	LM258X-L	19	4.5	32 <sup>3</sup>	0.02	KM-30	—

Notes : 1. Inductance values may vary ±20%.  
2. ETop rated at 150 KHz except where designated.

3. ETop rated at 100 KHz.  
4. SIMPLE SWITCHER™ is a trademark of National Semiconductor Corporation.

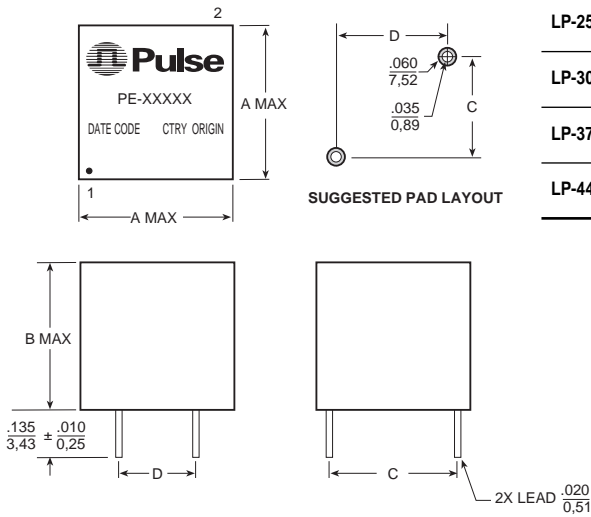
U.S.A: TEL 619 674 8100 • EUROPE: TEL 44 1483 401700 • ASIA: TEL 886 7 821 3141 • WEB: <http://www.pulseeng.com>

# INDUCTORS DESIGNED FOR NATIONAL'S 150 KHz SIMPLE SWITCHER™



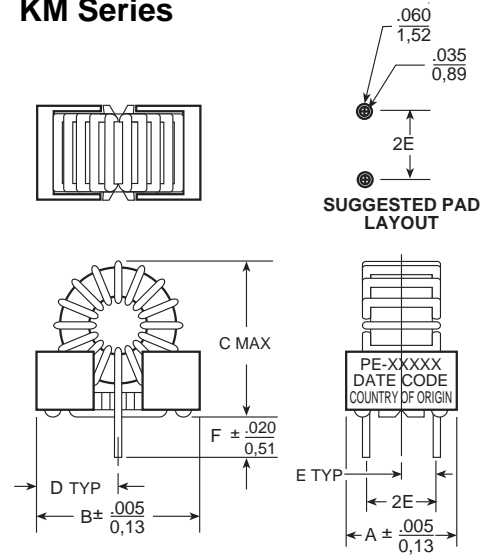
## Mechanicals

### LP Series



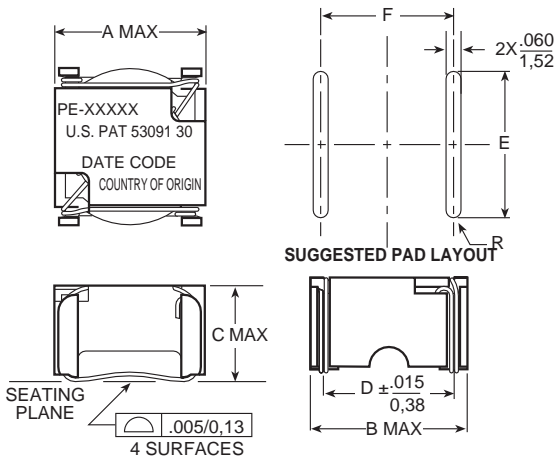
PKG	A	B	C	D
LP-25	.360 9,14	.310 7,87	.250 6,35	.250 6,35
LP-30	.400 10,16	.300 7,62	.300 7,62	.300 7,62
LP-37	.495 12,57	.375 9,52	.375 9,52	.375 9,52
LP-44	.635 16,13	.365 9,27	.500 12,7	.300 7,62

### KM Series



PKG	A	B	C	D	E	F
KM-10	.340 8,64	.580 14,73	.650 16,51	.290 7,37	.110 2,79	.130 3,30
KM-20	.450 11,43	.650 16,51	.700 17,73	.325 8,26	.150 3,81	.130 3,30
KM-30	.450 11,43	.830 21,08	.950 24,13	.415 10,54	.150 3,81	.130 3,30
KM-40	.600 15,24	.950 24,13	1.00 25,4	.475 12,07	.225 5,72	.130 3,30

### LCI Series

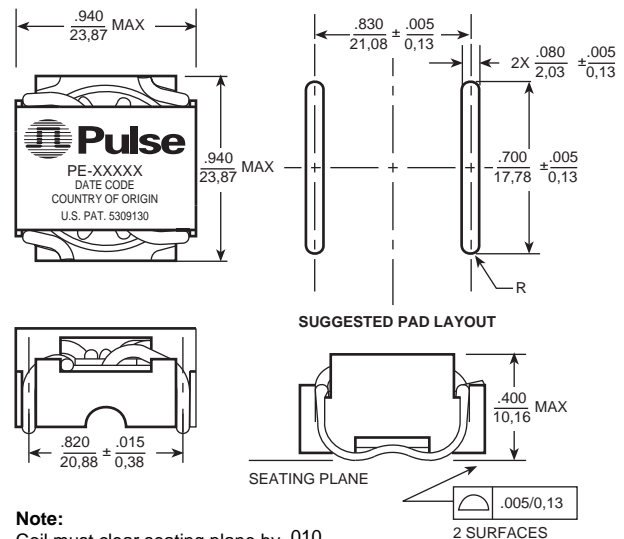


#### Notes:

1. Dimension "D" is measured across terminal blocks only.
2. Coil must clear seating plane by .010 MIN.

PKG	A	B	C	D	E	F
LCI-20	.340 8,64	.340 8,64	.270 6,86	.260 6,60	.300 7,62	.270 6,86
LCI-30	.435 11,05	.440 11,18	.360 9,14	.350 8,89	.400 10,16	.360 9,14
LCI-37	.565 14,35	.570 14,48	.360 9,14	.450 11,43	.520 13,21	.460 11,68
LCI-44	.600 15,24	.620 15,75	.390 9,91	.500 12,7	.550 13,97	.510 12,95
LCI-50	.670 17,02	.700 17,78	.390 9,91	.580 14,73	.620 15,75	.590 14,99

### HCI-68



#### Note:

Coil must clear seating plane by .010 MIN

Dimensions:  $\frac{\text{Inches}}{\text{mm}}$

Unless otherwise specified, all tolerances are  $\pm \frac{.010}{0,25}$

# WEIGHT AND PAN SIZE INFORMATION

## For Simple Switcher™ Magnetics



### By Part Number

Part Number	Weight in Grams	Pan Size		Page Number	Part Number	Weight in Grams	Pan Size		Page Number
		Per Tube	Tray				Per Tube	Tray	
PE-52625	10	25	—	6	PE-53819	3	40	—	2
PE-52626	11	25	—	4, 6	PE-53819S	3	30	—	2
PE-52627	11	25	—	4, 6	PE-53820	3	40	—	2
PE-52628	11	25	—	6	PE-53820S	3	30	—	2
PE-52629	11	25	—	4, 6	PE-53821	3	40	—	2
PE-52630	11	25	—	6	PE-53821S	3	30	—	2
PE-52631	9	25	—	6	PE-53822	3	40	—	2
PE-52645	9	40	—	6	PE-53822S	3	30	—	2
PE-52646	10	40	—	6	PE-53823	3	50	—	2
PE-52647	10	40	—	6	PE-53823S	3	30	—	2
PE-52648	9	40	—	6	PE-53824	3	50	—	2
PE-52649	9	40	—	6	PE-53824S	3	35	—	2
PE-52650	9	40	—	6	PE-53825	3	40	—	2
PE-52651	9	40	—	6	PE-53825S	3	30	—	2
PE-53112	6	30	—	4	PE-53826	7	45	—	2
PE-53113	19	—	20	4	PE-53826S	3	35	—	2
PE-53114	22	—	30	4	PE-53827	6	45	—	2
PE-53115	19	—	15	4	PE-53827S	3	35	—	2
PE-53116	47	—	15	4	PE-53828	9	45	—	2
PE-53117	40	—	36	4	PE-53828S	4	35	—	2
PE-53118	43	—	36	4	PE-53829	6	30	—	2
PE-53119	44	—	36	4	PE-53829S	3	35	—	2
PE-53120	45	—	15	4	PE-53830	7	45	—	2
PE-53121	53	—	75	4	PE-53830S	3	35	—	2
PE-53122	53	—	25	4	PE-53831	7	45	—	2
PE-53145	12	20	—	4	PE-53831S	4	35	—	2
PE-53146	12	20	—	4	PE-53900	12	20	—	2
PE-53801	2	50	—	2	PE-53932	7	45	—	2
PE-53801S	1	60	—	2	PE-53932S	3	35	—	2
PE-53802	2	50	—	2	PE-53933	6	45	—	2
PE-53802S	1	60	—	2	PE-53933S	3	35	—	2
PE-53803	2	50	—	2	PE-53934	4	100	—	2
PE-53803S	1	60	—	2	PE-53934S	3	35	—	2
PE-53804	2	50	—	2	PE-53935	11	20	—	2
PE-53804S	1	60	—	2	PE-53935S	10	20	—	2
PE-53805	2	50	—	2	PE-54036	10	20	—	2
PE-53805S	1	60	—	2	PE-54036S	10	20	—	2
PE-53806	2	50	—	2	PE-54037	10	20	—	2
PE-53806S	1	60	—	2	PE-54037S	10	20	—	2
PE-53807	2	50	—	2	PE-54038	10	20	—	2
PE-53807S	1	60	—	2	PE-54038S	11	20	—	2
PE-53808	2	50	—	2	PE-54039	8	20	—	2
PE-53808S	2	30	—	2	PE-54039S	10	20	—	2
PE-53809	2	50	—	2	PE-54040	8	20	—	2
PE-53809S	2	45	—	2	PE-54040S	10	20	—	2
PE-53810	2	50	—	2	PE-54041	5	30	—	2
PE-53810S	2	45	—	2	PE-54041S	5	30	—	2
PE-53811	2	50	—	2	PE-54042	17	20	—	2
PE-53811S	2	45	—	2	PE-54043	17	20	—	2
PE-53812	2	50	—	2	PE-54044	12	20	—	2
PE-53812S	2	45	—	2	PE-54044S	11	20	—	2
PE-53813	2	50	—	2	PE-65300	18	80	—	8
PE-53813S	2	45	—	2	PE-65301	34	80	—	8
PE-53814	2	50	—	2	PE-65302	51	80	—	8
PE-53814S	2	45	—	2	PE-68411	14	—	30	7
PE-53815	2	50	—	2	PE-68412	14	—	30	7
PE-53815S	2	45	—	2	PE-68413	14	—	30	7
PE-53816	2	45	—	2	PE-68414	14	—	30	7
PE-53816S	2	45	—	2	PE-68421	21	—	35	7
PE-53817	3	40	—	2	PE-68422	24	—	35	7
PE-53817S	3	30	—	2	PE-92108K	19	—	20	4
PE-53818	3	50	—	2	PE-92114K	22	20	—	4
PE-53818S	3	30	—	2					