



### Description

- Industry standard SMD crystal  
Plastic encapsulated  
Low profile version also available please contact our sales offices for details
- Model: 86SMX
- Model Issue number: 10

### Frequency Parameters

- Frequency: 16.0MHz
- Frequency Tolerance @ 25°C: ±50.00ppm
- Frequency Stability: ±100.00ppm
- Operating Temperature Range: -20.00 to 70.00°C
- Overtone Order: Fundamental
- Ageing: ±5ppm max per year at 25°C

### Electrical Parameters

- Load Capacitance (C<sub>L</sub>): 16.00pF
- Shunt Capacitance (C<sub>0</sub>): 5pF max
- Drive Level: 100µW max
- ESR: 35Ω max

### Environmental Parameters

- Vibration: 1.5mm amplitude, 10Hz-55Hz, 1min in 3 mutually perpendicular planes, duration 2hrs each plane
- Storage Temperature Range: -40 to 90°C
- Drop: 75cm drop (3 times) onto hard wooden board

### Compliance

- RoHS Status: Compliant
- REACH Status: Compliant

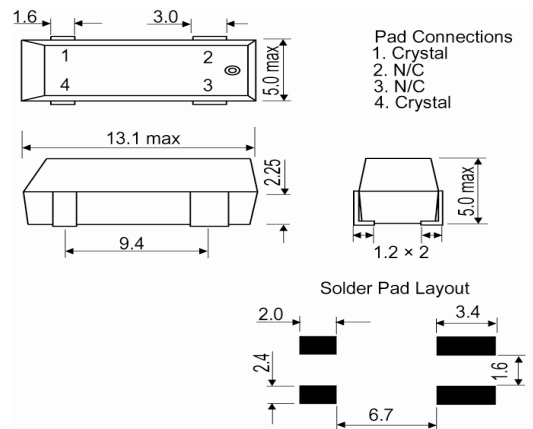
### Packaging

- Pack Type: Reel: Tape & reel in accordance with EIA-481-D
- Pack Size: 1,000
- Alternative packing option available

*This document is correct at the time of printing; please contact your local office for the latest version.*



### Outline (mm)



### Sales Office Contact Details:

UK: +44 (0)1460 270200  
Germany: +49 (0)7264 9145-0

France: +33 (0)5 34 50 91 18  
USA: +1 (0) 408 455 2426

Email: [info@iqdfrequencyproducts.com](mailto:info@iqdfrequencyproducts.com)  
Web: [www.iqdfrequencyproducts.com](http://www.iqdfrequencyproducts.com)