



AS2810

1A Low Dropout Voltage Regulator Adjustable & Fixed Output, Fast Response

FEATURES

- Adjustable Output Down To 1.2V
- Fixed Output Voltages 1.5V, 2.5V, 3.0V, 3.3V, 5.0V
- Output Current Of 1A
- Low Dropout Voltage 1.2V Typ.
- Extremely Tight Load And Line Regulation
- Current & Thermal Limiting
- Standard 3-Terminal Low Cost TO-220, TO-263, TO-252 & SOT-223

APPLICATIONS

- SCSI-II Active Terminator
- Portable Palmtop/Notebook Computer
- SMPS Post-Regulator
- Disk Drives
- Portable Consumer Equipment
- Portable Instrumentation
- Battery charger

PRODUCT DESCRIPTION

The AS2810 is a low power positive voltage regulator designed to meet 1A output current and comply with SCSI-II specifications with fix output voltage of 2.85V. This device is an excellent choice for use in battery-powered applications and portable computers. The AS2810 features very low quiescent current and very low dropout voltage of 1.2V at a full load and lower as output current decreases. This product is available as adjustable or fixed 1.5V, 2.5V, 3.0V, 3.3V, and 5V output voltages.

The AS2810 is offered in a 3-pin surface mount packages SOT-223, TO-220, TO-252 & DD package. The output capacitor of 10 μ F or larger is needed for the output stability of AS2810 as required by most other regulator circuits

ORDERING INFORMATION

TO-220 3-PIN	DD PLASTIC 3-PIN	SOT-223 3-PIN	TO-252 3-PIN	OPEPERATING JUNCTION TEMP. RANGE
AS2810YU-X	AS2810YT-X	AS2810YM3-X	AS2810YR-X	-45 to +125°C

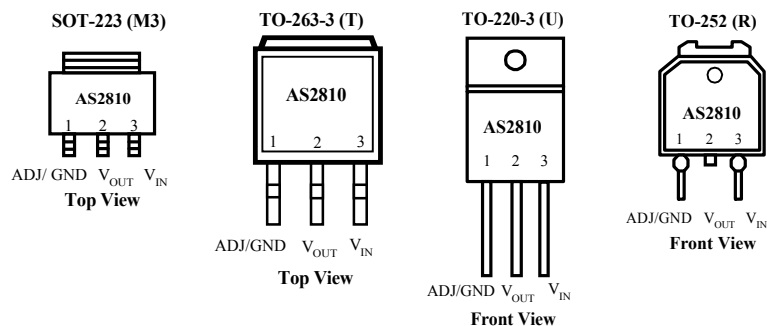
X= Output Voltage (1.5V, 2.5V, 3.0V, 3.3V, 5.0V and Blank for Adj.)

Y= Output Tolerance, A for 1%

Blank for 2%

Consult with factory for other fixed voltages.

PIN CONNECTIONS



ABSOLUTE MAXIMUM RATINGS

Lead Temp. (Soldering, 10 Seconds)	300°C
Storage Temperature Range	-65° to +150°C
Operating Junction Temperature Range	
AS2810 Control Section	-45°C +125°C
AS2810 Power Transistor	-45°C +150°C

Input Voltage.....	10V
Input to Output Voltage Differential	10V

ELECTRICAL CHARACTERISTICS (NOTE 1) at $I_{OUT} = 10\text{mA}$, $T_A = 25^\circ\text{C}$, unless otherwise specified.

PARAMETER	CONDITIONS	Typ	AS2810A		AS2810		UNITS
			Min	Max	Min	Max	
1.5V Version							
Output Voltage (Note 2)	AS2810-1.5V, $0 < I_{OUT} < 1\text{A}$, $3.3\text{V} < V_{IN} < 10\text{V}$	1.5	1.485	1.515	1.470	1.530	V
			1.47	1.53	1.455	1.545	
2.5V Version							
Output Voltage (Note 2)	AS2810-2.5V, $0 < I_{OUT} < 1\text{A}$, $4.0\text{V} < V_{IN} < 10\text{V}$	2.5	2.475	2.525	2.450	2.550	V
			2.45	2.55	2.425	2.575	
2.85V Version							
Output Voltage (Note 2)	AS2810-2.85V, $0 \leq I_{OUT} \leq 1\text{A}$, $4.5\text{V} \leq V_{IN} \leq 10\text{V}$	2.85	2.822	2.879	2.793	2.907	V
			2.793	2.907	2.650	2.936	
3.0V Version							
Output Voltage (Note 2)	AS2810-3.0V, $0 \leq I_{OUT} \leq 1\text{A}$, $4.5\text{V} \leq V_{IN} \leq 10\text{V}$	3	2.970	3.030	2.94	3.06	V
			2.940	3.060	2.79	3.09	
3.3V Version							
Output Voltage (Note 2)	AS2810-3.3V, $0 \leq I_{OUT} \leq 1\text{A}$, $4.8\text{V} \leq V_{IN} \leq 10\text{V}$	3.3	3.267	3.333	3.234	3.366	V
			3.234	3.366	3.069	3.399	
5.0V Version							
Output Voltage (Note 2)	AS2810-5.0V, $0 \leq I_{OUT} \leq 1\text{A}$, $6.5\text{V} \leq V_{IN} \leq 12\text{V}$	5	4.950	5.050	4.9	5.1	V
			4.900	5.100	4.65	5.15	
All Voltage Options							
Reference Voltage (V_{REF})	$V_{IN} \leq 7\text{V}$, $P \leq P_{max}$ $1.5\text{V} \leq (V_{IN} - V_{OUT}) \leq 5.75\text{V}$, $10\text{mA} \leq I_{OUT} \leq 1\text{A}$	1.250	1.225	1.270	1.225	1.270	V
			1.263	1.225	1.212	1.288	
Min. Load Current (Note 3)	$1.5\text{V} \leq (V_{IN} - V_{OUT}) \leq 5.75\text{V}$	5		10		10	mA
Line Regulation ($\Delta V_{REF}(V_{in})$)	$2.75\text{V} \leq V_{IN} \leq 7\text{V}$, $I_{OUT} = 10\text{mA}$, $T_J = 25^\circ\text{C}$ (Note 3)	0.005		0.2		0.2	%
	$V_{IN} \leq 7\text{V}$, $I_{OUT} = 0\text{mA}$, $T_J = 25^\circ\text{C}$ (Note 2)	0.005		0.2		0.2	
Load Regulation ($\Delta V_{REF}(I_{OUT})$)	$10\text{mA} \leq I_{OUT} \leq 1\text{A}$, $(V_{IN} - V_{OUT}) = 3\text{V}$, $T_J = 25^\circ\text{C}$ (Note 3)	0.05		0.3		0.3	%
	$0 \leq I_{OUT} \leq 1\text{A}$, $V_{IN} = 7\text{V}$, $T_J = 25^\circ\text{C}$ (Note 2)	0.05		0.3		0.3	
Dropout Voltage	$\Delta V_{REF} = 1\%$ $I_{OUT} = 1\text{A}$ (Note 3) $I_{OUT} \leq 1\text{A}$ (Note 2)	1.1		1.2		1.2	
Current Limit $I_{OUT}(\text{MAX})$	$V_{IN} = 7\text{V}$	2	1.2		1.2		A
	$1.4\text{V} \leq (V_{IN} - V_{OUT})$ (Note 3)						

ELECTRICAL CHARACTERISTICS (Cont.)

Long Term Stability	$T_A=125^{\circ}\text{C}$, 1000 Hrs.	0.3 (Note 2)		1		1	%
Thermal Regulation ($\Delta V_{\text{OUT}}(\text{Pwr})$)	$T_A=25^{\circ}\text{C}$, 20 ms pulse	0.01		0.020		0.020	%/W
Temperature Stability ($\Delta V_{\text{OUT}}(\text{T})$)		0.25					%
Output Noise, RMS	10Hz to 10kHz $T_A=25^{\circ}\text{C}$	0.003					% V_o
Thermal Resistance	TO-220	Junction to Tab		3.0		3.0	°C/W
		Junction to Ambient		60		60	
	DD Package	Junction to Tab		3.0		3.0	
		Junction to Ambient		60		60	
	SOT-223 Package	Junction to Tab		15		15	
		Junction to Ambient		156		156	

The Bold specifications apply to the full operating temperature range.

Note 1: Changes in output voltage due to heating effects are covered under the specification for thermal regulation.

Note 2: Fixed Version Only

Note 3: Adjustable Version Only

APPLICATION HINTS

The AS2810 incorporates protection against over-current faults, reversed load insertion, over temperature operation, and positive and negative transient voltage. However, the use of an output capacitor is required in order to improve the stability and the performances.

Stability

The output capacitor is part of the regulator's frequency compensation system. Either a 22 μ F aluminum electrolytic capacitor or a 10 μ F solid tantalum capacitor between the output terminal and ground guarantees stable operation for all operating conditions.

However, in order to minimize overshoot and undershoot, and therefore optimize the design, please refer to the section 'Ripple Rejection'.

Ripple Rejection

Ripple rejection can be improved by adding a capacitor between the ADJ pin and ground as shown in figure 6. When ADJ pin bypassing is used, the value of the output capacitor required increases to its maximum (22 μ F for an aluminum electrolytic capacitor, or 10 μ F for a solid tantalum capacitor). If the ADJ pin is not bypass, the value of the output capacitor can be lowered to 10 μ F for an electrolytic aluminum capacitor or 4.7 μ F for a solid tantalum capacitor.

However the value of the ADJ-bypass capacitor should be chosen with respect to the following equation:

$$C = 1 / (6.28 * F_R * R_1)$$

Where C = value of the capacitor in Farads (select an equal or larger standard value),

F_R = ripple frequency in Hz,

R_1 = value of resistor R_1 in Ohms.

If an ADJ-bypass capacitor is use, the amplitude of the output ripple will be independent of the output voltage. If an ADJ-bypass capacitor is not used, the output ripple will be proportional to the ratio of the output voltage to the reference voltage:

$$M = V_{OUT} / V_{REF}$$

Where M = multiplier for the ripple seen when the ADJ pin is optimally bypassed.

V_{REF} = Reference Voltage

Reducing parasitic resistance and inductance

One solution to minimize parasitic resistance and inductance is to connect in parallel capacitors. This arrangement will improve the transient response of the power supply if your system requires rapidly changing current load condition.

Thermal Consideration

Although the AS2810 offers some limiting circuitry for overload conditions, it is necessary not to exceed the maximum junction temperature, and therefore to be careful about thermal resistance. The heat flow will follow the lowest resistance path, which is the Junction-to-case thermal resistance. In order to insure the best thermal flow of the component, a proper mounting is required. Note that the case of the device is electrically connected to the output. In case the case has to be electrically isolated, a thermally conductive spacer can be used. However do not forget to consider its contribution to thermal resistance.

Assuming:

$$V_{IN} = 10V, V_{OUT} = 5V, I_{OUT} = 1.5A, T_A = 50^{\circ}C/W,$$

$$\theta_{Heatsink Case} = 6^{\circ}C/W, \theta_{Heatsink Case} = 0.5^{\circ}C/W, \theta_{JC} = 3^{\circ}C/W$$

Power dissipation under this condition

$$P_D = (V_{IN} - V_{OUT}) * I_{OUT} = 7.5W$$

Junction Temperature

$$T_J = T_A + P_D * (\theta_{Case - HS} + \theta_{HS} + \theta_{JC})$$

For the Control Sections

$$T_J = 50 + 7.5*(0.5+6=3) = 121.25^{\circ}C$$

121.25 $^{\circ}$ C < $T_{J(max)}$ for the Control & Power Sections.

In both case reliable operation is insured by adequate junction temperature.

Basic Adjustable Regulator

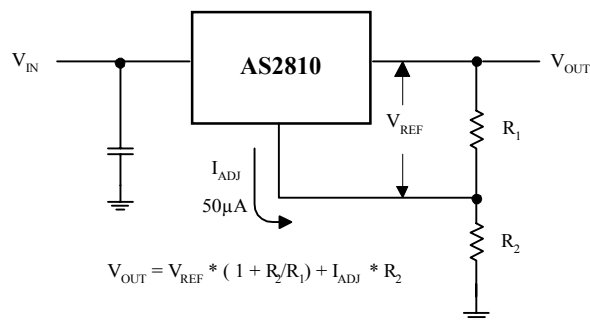


Fig.2 Basic Adjustable Regulator

Output Voltage

Consider Figure 2. The resistance R_1 generates a constant current flow, normally the specified load current of 10mA. This current will go through the resistance R_2 to set the overall output voltage. The current I_{ADJ} is very small and constant. Therefore its contribution to the overall output voltage is very small and can generally be ignored.

Load Regulation

Parasitic line resistance can degrade load regulation. In order not to affect the behavior of the regulator, it is best to connect directly the R_1 resistance from the resistor divider to the case,

and not to the load. For the same reason, it is best to connect the resistor R_2 to the Negative side of the load.

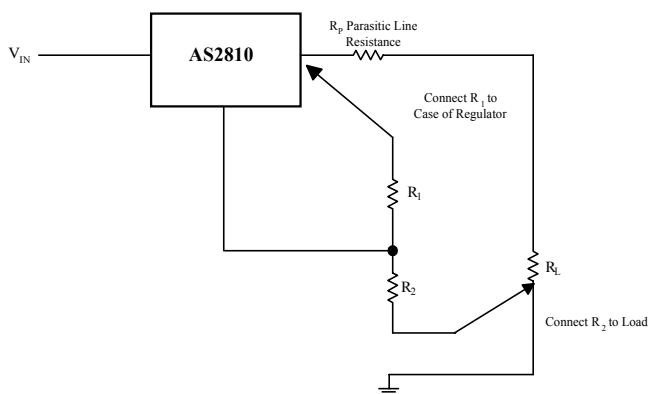
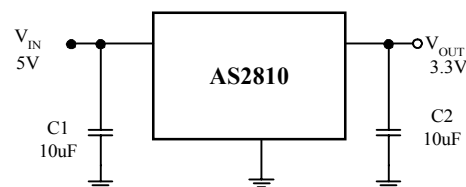


Fig.3 Basic Adjustable Regulator



Basic Fixed Regulator

Output Voltage

The fixed voltage LDO voltage regulators are simple to use since the V_{OUT} is preset to the specifications. It is important however, to provide the proper output capacitance for stability and improvement. For most operating conditions a capacitance of 22µF tantalum or 100µF electrolytic will ensure stability and prevent oscillation.

TYPICAL APPLICATIONS

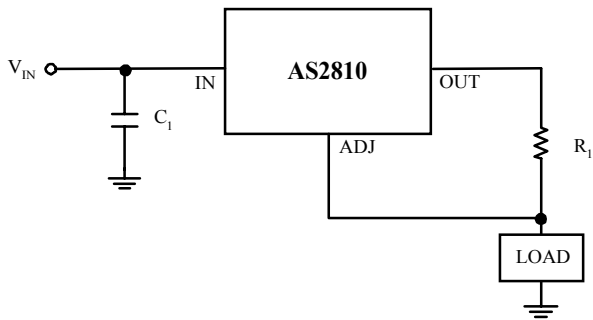


Fig. 4 1A Current output Regulator

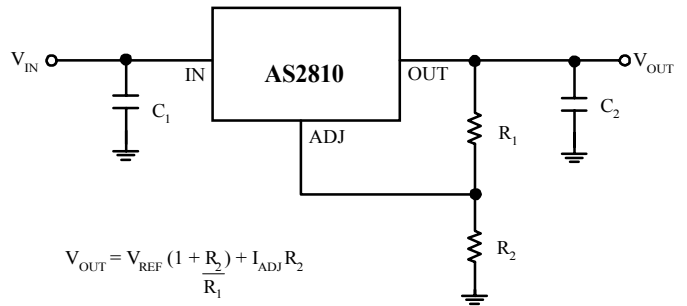


Fig. 5 Typical Adjustable Regulator

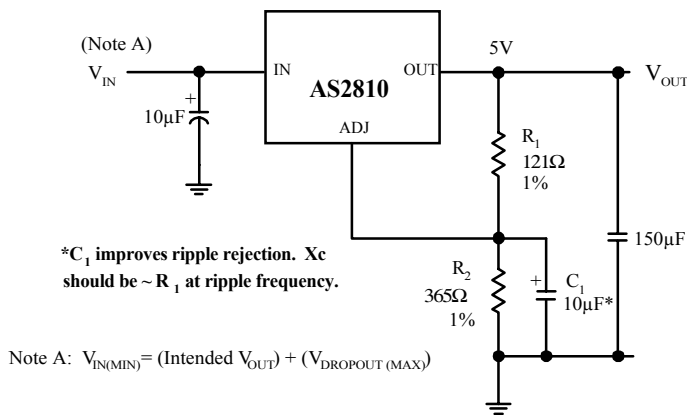


Fig. 6 Improving Ripple Rejection

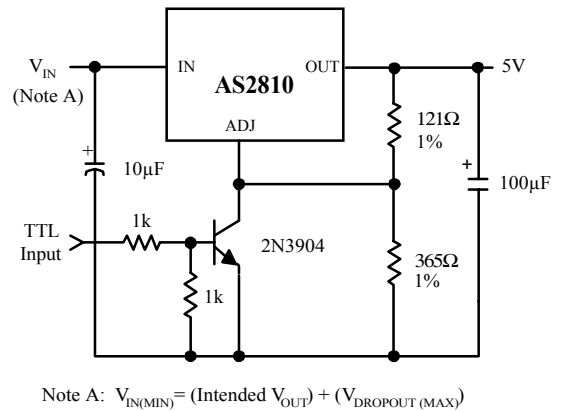
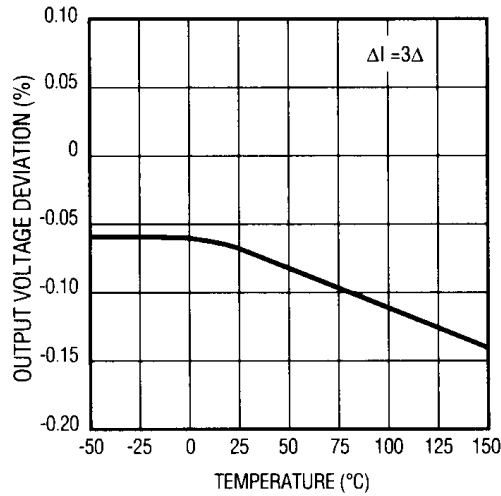


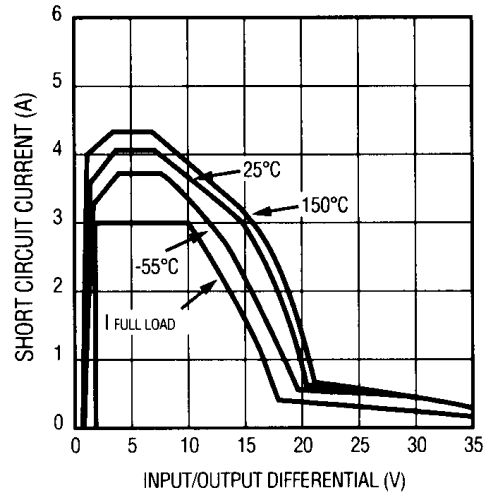
Fig.7 5V Regulator with Shutdown

TYPICAL CHARACTERISTICS

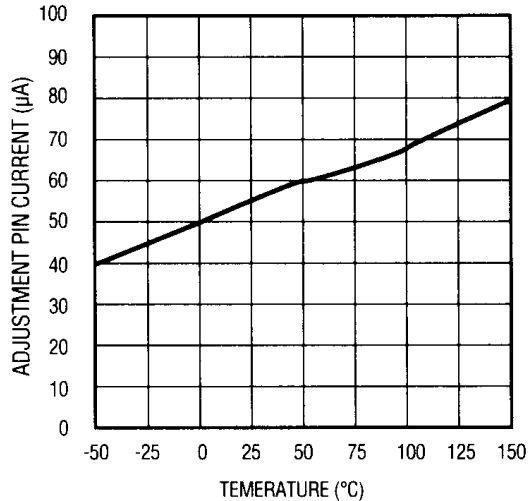
LOAD REGULATION



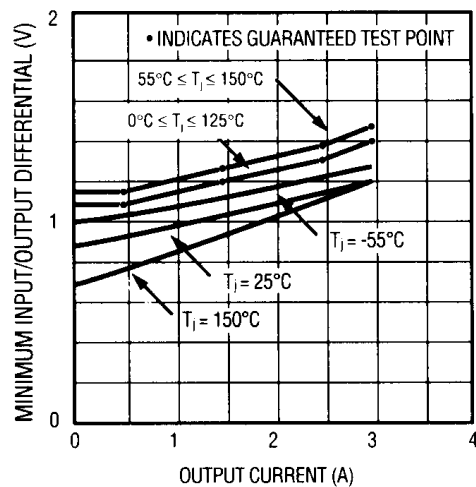
SHORT CIRCUIT CURRENT



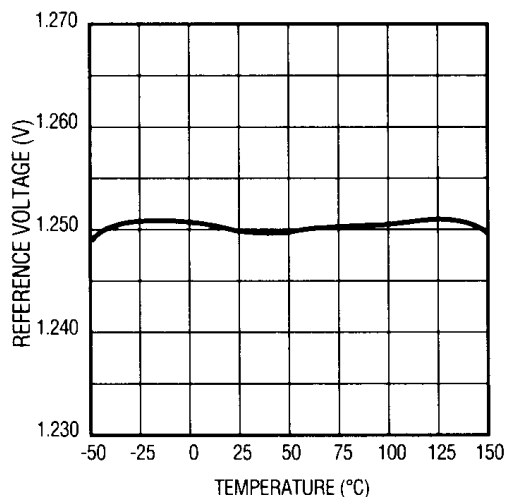
ADJUSTMENT PIN CURRENT



DROPOUT VOLTAGE



TEMPERATURE STABILITY



MINIMUM OPERATING CURRENT

