

CD4014BC 8-Stage Static Shift Register

General Description

The CD4014BC is an 8-stage parallel input/serial output shift register. A parallel/serial control input enables individual JAM inputs to each of 8 stages. Q outputs are available from the sixth, seventh and eighth stages. All outputs have equal source and sink current capabilities and conform to standard "B" series output drive.

When the parallel/serial control input is in the logical "0" state, data is serially shifted into the register synchronously with the positive transition of the clock. When the parallel/serial control input is in the logical "1" state, data is jammed into each stage of the register synchronously with the positive transition of the clock.

All inputs are protected against static discharge with diodes to V_{DD} and V_{SS} .

Features

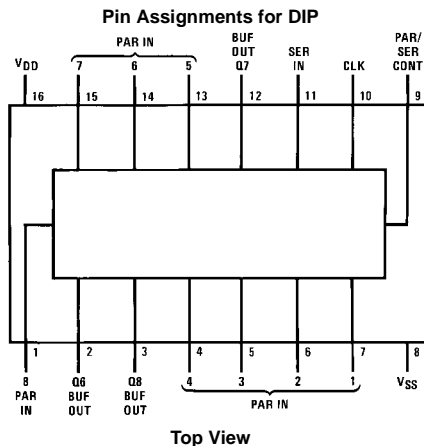
- Wide supply voltage range: 3.0V to 15V
- High noise immunity: $0.45 V_{DD}$ (typ.)
- Low power TTL compatibility: Fan out of 2 driving 74L or 1 driving 74LS
- 5V–10V–15V parametric ratings
- Symmetrical output characteristics
- Maximum input leakage:
1 μ A at 15V over full temperature range

Ordering Code:

Order Number	Package Number	Package Description
CD4014BCM	M16A	16-Lead Small Outline Integrated Circuit (SOIC), JEDEC MS-012, 0.150" Narrow
CD4014BCN	N16E	16-Lead Plastic Dual-In-Line Package (PDIP), JEDEC MS-100, 0.300" Wide

Devices also available in Tape and Reel. Specify by appending the suffix letter "x" to the ordering code.

Connection Diagram



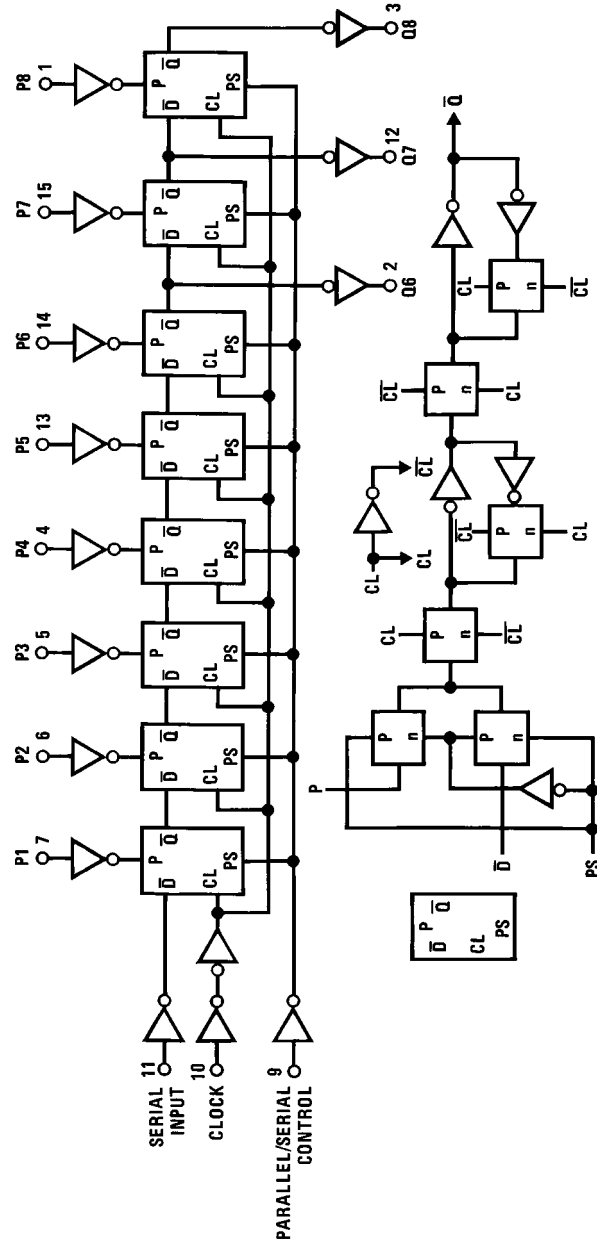
Truth Table

CL (Note 1)	Serial Input	Parallel/Serial Control	PI 1	PI n	Q1 (Internal)	Q _n
↘	X	1	0	0	0	0
↘	X	1	1	0	1	0
↘	X	1	0	1	0	1
↘	X	1	1	1	1	1
↘	0	0	X	X	0	Q _{n-1}
↘	1	0	X	X	1	Q _{n-1}
↘	X	X	X	X	Q1	Q _n

X = Don't care case
No Change

Note 1: Level change

Logic Diagram



Absolute Maximum Ratings (Note 2)		Recommended Operating Conditions (Note 3)	
(Note 3)			
Supply Voltage (V_{DD})	-0.5V to +18V	Supply Voltage (V_{DD})	3.0V to 15V
Input Voltage (V_{IN})	-0.5 to $V_{DD} + 0.5V$	Input Voltage (V_{IN})	0 to V_{DD}
Storage Temperature Range (T_S)	-65°C to +150°C	Operating Temperature Range (T_A)	-40°C to +85°C
Power Dissipation (P_D)			
Dual-In-Line	700 mW		
Small Outline	500 mW		
Lead Temperature (T_L)			
(Soldering, 10 seconds)	260°C		

Note 2: "Absolute Maximum Ratings" are those values beyond which the safety of the device cannot be guaranteed. Except for "Operating Temperature Range" they are not meant to imply that the devices should be operated at these limits. The table of "Electrical Characteristics" provides conditions for actual device operation.

Note 3: $V_{SS} = 0V$ unless otherwise specified.

DC Electrical Characteristics (Note 3)

Symbol	Parameter	Conditions	-40°C		+25°C			+85°C		Units
			Min	Max	Min	Typ	Max	Min	Max	
I_{DD}	Quiescent Device Current	$V_{DD} = 5V, V_{IN} = V_{DD}$ or V_{SS}		20		0.1	20		150	μA
		$V_{DD} = 10V, V_{IN} = V_{DD}$ or V_{SS}		40		0.2	40		300	μA
		$V_{DD} = 15V, V_{IN} = V_{DD}$ or V_{SS}		80		0.3	80		600	μA
V_{OL}	LOW Level Output Voltage	$V_{DD} = 5V$		0.05		0	0.05		0.05	V
		$V_{DD} = 10V$	$ I_{OL} < 1 \mu A$	0.05		0	0.05		0.05	V
		$V_{DD} = 15V$		0.05		0	0.05		0.05	V
V_{OH}	HIGH Level Output Voltage	$V_{DD} = 5V$	4.95		4.95	5		4.95		V
		$V_{DD} = 10V$	9.95		9.95	10		9.95		V
		$V_{DD} = 15V$	14.95		14.95	15		14.95		V
V_{IL}	LOW Level Input Voltage	$V_{DD} = 5V, V_O = 0.5V$ or $4.5V$		1.5		2	1.5		1.5	V
		$V_{DD} = 10V, V_O = 1.0V$ or $9.0V$		3.0		4	3.0		3.0	V
		$V_{DD} = 15V, V_O = 1.5V$ or $13.5V$		4.0		6	4.0		4.0	V
V_{IH}	HIGH Level Input Voltage	$V_{DD} = 5V, V_O = 0.5V$ or $4.5V$	3.5		3.5	3		3.5		V
		$V_{DD} = 10V, V_O = 1.0V$ or $9.0V$	7.0		7.0	6		7.0		V
		$V_{DD} = 15V, V_O = 1.5V$ or $13.5V$	11.0		11.0	9		11.0		V
I_{OL}	LOW Level Output Current (Note 4)	$V_{DD} = 5V, V_O = 0.4V$	0.52		0.44	0.88		0.36		mA
		$V_{DD} = 10V, V_O = 0.5V$	1.3		1.1	2.2		0.9		mA
		$V_{DD} = 15V, V_O = 1.5V$	3.6		3.0	8		2.4		mA
I_{OH}	HIGH Level Output Current (Note 4)	$V_{DD} = 5V, V_O = 4.6V$	-0.52		-0.44	-0.88		-0.36		mA
		$V_{DD} = 10V, V_O = 9.5V$	-1.3		-1.1	-2.2		-0.90		mA
		$V_{DD} = 15V, V_O = 13.5V$	-3.6		-3.0	-8		-2.4		mA
I_{IN}	Input Current	$V_{DD} = 15V, V_{IN} = 0V$		-0.3		-10^{-5}	-0.3		-1.0	μA
		$V_{DD} = 15V, V_{IN} = 15V$		0.3		10^{-5}	0.3		1.0	μA

Note 4: I_{OL} and I_{OH} are tested one output at a time.

AC Electrical Characteristics (Note 5)						
T _A = 25°C, input t _r , t _f = 20 ns, C _L = 50 pF, R _L = 200 kΩ						
Symbol	Parameter	Conditions	Min	Typ	Max	Units
t _{PHL} , t _{PLH}	Propagation Delay Time	V _{DD} = 5V		200	320	ns
		V _{DD} = 10V		80	160	ns
		V _{DD} = 15V		60	120	ns
t _{THL} , t _{TLH}	Transition Time	V _{DD} = 5V		100	200	ns
		V _{DD} = 10V		50	100	ns
		V _{DD} = 15V		40	80	ns
f _{CL}	Maximum Clock Input Frequency	V _{DD} = 5V	2.8	4		MHz
		V _{DD} = 10V	6	12		MHz
		V _{DD} = 15V	8	16		MHz
t _W	Minimum Clock Pulse Width	V _{DD} = 5V		90	180	ns
		V _{DD} = 10V		40	80	ns
		V _{DD} = 15V		25	50	ns
t _{rCL} , t _{fCL}	Clock Rise and Fall Time (Note 6)	V _{DD} = 5V			15	μs
		V _{DD} = 10V			15	μs
		V _{DD} = 15V			15	μs
t _S	Minimum Set-Up Time (Note 7) Serial Input t _H ≥ 200 ns	V _{DD} = 5V		60	120	ns
		V _{DD} = 10V		40	80	ns
		V _{DD} = 15V		30	60	ns
	Parallel Inputs t _H ≥ 200 ns	V _{DD} = 5V		80	160	ns
		V _{DD} = 10V		40	80	ns
		V _{DD} = 15V		30	60	ns
Parallel/Serial Control t _H ≥ 200 ns	V _{DD} = 5V		100	200	ns	
	V _{DD} = 10V		50	100	ns	
	V _{DD} = 15V		40	80	ns	
t _H	Minimum Hold Time Serial In, Parallel In, t _S ≥ 400 ns Parallel/Serial Control	V _{DD} = 5V			0	ns
		V _{DD} = 10V			10	ns
		V _{DD} = 15V			15	ns
C _I	Average Input Capacitance (Note 8)	Any Input		5	7.5	pF
C _{PD}	Power Dissipation Capacitance (Note 8)			110		pF

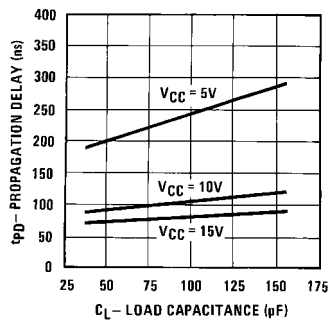
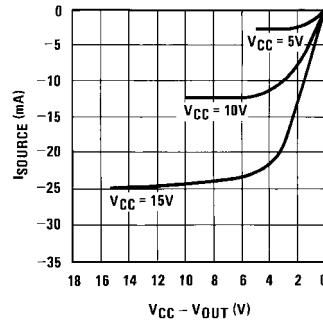
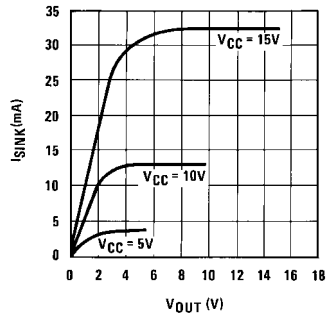
Note 5: AC Parameters are guaranteed by DC correlated testing.

Note 6: If more than one unit is cascaded t_{rCL} should be made less than or equal to the fixed propagation delay of the output of the driving stage for the estimated capacitive load.

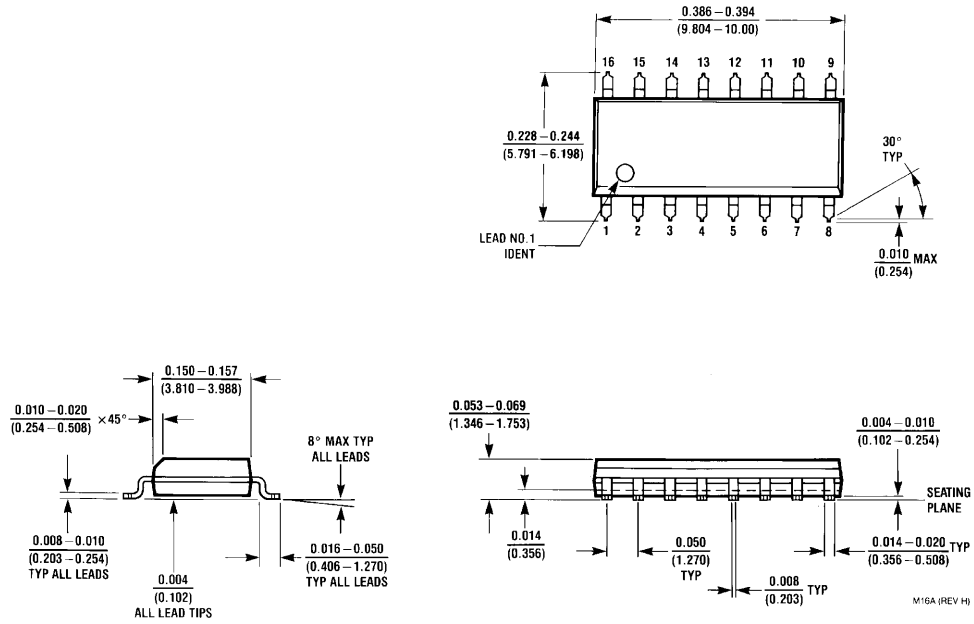
Note 7: Setup times are measured with reference to clock and a fixed hold time (t_H) as specified.

Note 8: C_{PD} determines the no load AC power consumption of any CMOS device. For complete explanation, see 74C family characteristics application note AN-90.

Typical Performance Characteristics

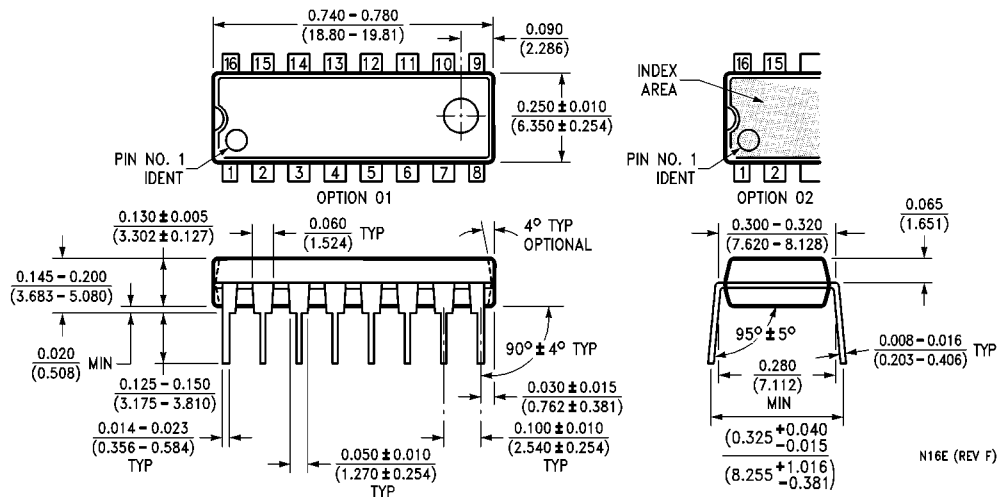


Physical Dimensions inches (millimeters) unless otherwise noted



16-Lead Small Outline Integrated Circuit (SOIC), JEDEC MS-012, 0.150" Narrow Package Number M16A

Physical Dimensions inches (millimeters) unless otherwise noted (Continued)



16-Lead Plastic Dual-In-Line Package (PDIP), JEDEC MS-001, 0.300" Wide Package Number N16E

N16E (REV F)

LIFE SUPPORT POLICY

FAIRCHILD'S PRODUCTS ARE NOT AUTHORIZED FOR USE AS CRITICAL COMPONENTS IN LIFE SUPPORT DEVICES OR SYSTEMS WITHOUT THE EXPRESS WRITTEN APPROVAL OF THE PRESIDENT OF FAIRCHILD SEMICONDUCTOR CORPORATION. As used herein:

1. Life support devices or systems are devices or systems which, (a) are intended for surgical implant into the body, or (b) support or sustain life, and (c) whose failure to perform when properly used in accordance with instructions for use provided in the labeling, can be reasonably expected to result in a significant injury to the user.
2. A critical component in any component of a life support device or system whose failure to perform can be reasonably expected to cause the failure of the life support device or system, or to affect its safety or effectiveness.

www.fairchildsemi.com