

# Am71/81LS95 • Am71/81LS96 Am71/81LS97 • Am71/81LS98

## Three-State Octal Buffers

### DISTINCTIVE CHARACTERISTICS

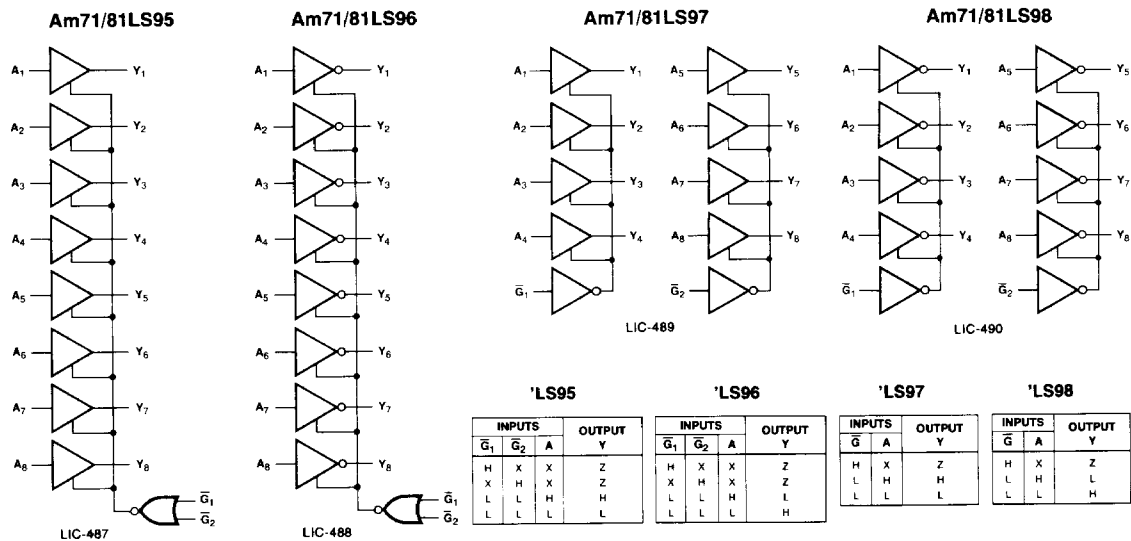
- Three-state outputs drive bus line directly
- Typical propagation delay  
Am71/81LS95, Am71/81LS97 13ns  
Am71/81LS96, Am71/81LS98 10ns
- Typical power dissipation  
Am71/81LS95, Am71/81LS97 80mW  
Am71/81LS96, Am71/81LS98 65mW
- PNP inputs reduce DC loading on bus lines
- Am71/81LS96 and Am71/81LS98 are inverting;  
Am71/81LS95 and Am71/81LS97 are non-inverting
- 20-pin hermetic and molded DIP packages
- 100% product assurance testing to MIL-STD-883 requirements

### GENERAL DESCRIPTION

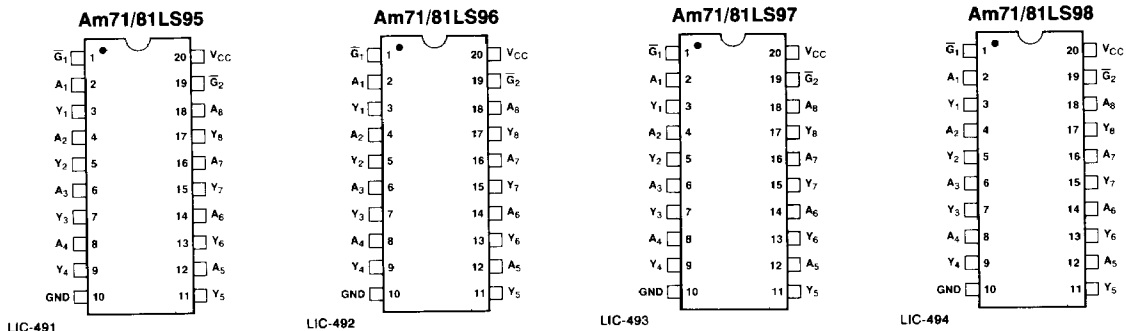
The Am71/81LS95, Am71/81LS96, Am71/81LS97 and Am71/81LS98 are octal buffers fabricated using Advanced Low-Power Schottky technology. The 20-pin package provides improved printed circuit board density for use in memory address and clock driver applications.

The Am71/81LS95 and Am71/81LS97 present true data at the outputs, while the Am71/81LS96 and Am71/81LS98 are inverting. The Am71/81LS95 and Am71/81LS96 have a common enable for all eight buffers with access through a 2-input NOR gate. The Am71/81LS97 and Am71/81LS98 octal buffers have four buffers enabled from one common line, and the other four buffers enabled from another common line. In all cases the outputs are placed in the three-state condition by applying a high logic level to the enable pins. All parts feature low current PNP inputs.

### LOGIC DIAGRAMS



### CONNECTION DIAGRAMS — Top Views



**MAXIMUM RATINGS** above which the useful life may be impaired

Storage Temperature	-65°C to +150°C
Temperature (Ambient) Under Bias	-55°C to +125°C
Supply Voltage to Ground Potential	-0.5V to +7.0V
DC Voltage Applied to Outputs for HIGH Output State	-0.5V to +V <sub>CC</sub> max.
DC Input Voltage	-0.5V to +7.0V
DC Output Current	150mA
DC Input Current	-30mA to +5.0mA

**ELECTRICAL CHARACTERISTICS**

The Following Conditions Apply Unless Otherwise Specified:

COM'L	T <sub>A</sub> = 0°C to +70°C	V <sub>CC</sub> = 5.0V ± 5%	(MIN. = 4.75V	MAX. = 5.25V)
MIL	T <sub>A</sub> = -55°C to +125°C	V <sub>CC</sub> = 5.0V ± 10%	(MIN. = 4.50V	MAX. = 5.50V)

**Am71/81LS95**  
**Am71/81LS96**  
**Am71/81LS97**  
**Am71/81LS98**

**DC CHARACTERISTICS OVER OPERATING RANGE**

Parameters	Description	Test Conditions	Typ. (Note 1)			Units	
			Min.	Max.	Max.		
V <sub>IH</sub>	High Level Input Voltage		2			Volts	
V <sub>IL</sub>	Low Level Input Voltage				0.8	Volts	
V <sub>I</sub>	Input Clamp Voltage	V <sub>CC</sub> = Min., I <sub>I</sub> = -18mA			-1.5	Volts	
I <sub>OH</sub>	High Level Output Current	MIL			-1.0	mA	
		COM'L			-2.6		
V <sub>OH</sub>	High Level Output Voltage	V <sub>CC</sub> = Min., V <sub>IH</sub> = 2.0V V <sub>IL</sub> = 0.8V	COM'L	I <sub>OH</sub> = -5.0mA	2.4	Volts	
				I <sub>OH</sub> = -2.6mA	2.7		
			MIL, I <sub>OH</sub> = -1.0mA	2.5			
I <sub>OL</sub>	Low Level Output Current	COM'L			16	mA	
		MIL			8		
V <sub>OL</sub>	Low Level Output Voltage	V <sub>CC</sub> = Min., V <sub>IH</sub> = 2.0V V <sub>IL</sub> = 0.8V	COM'L, I <sub>OL</sub> = 16mA		0.5	V	
			MIL, I <sub>OL</sub> = 8.0mA		0.4		
I <sub>O(OFF)</sub>	Off-State (High-Impedance State) Output Current	V <sub>CC</sub> = Max., V <sub>IH</sub> = 2.0V V <sub>IL</sub> = 0.8V	V <sub>O</sub> = 0.4V		-20	μA	
			V <sub>O</sub> = 2.4V		20		
I <sub>I</sub>	Input Current at Maximum Input Voltage	V <sub>CC</sub> = Max., V <sub>I</sub> = 7.0V			0.1	mA	
I <sub>IH</sub>	High Level Input Current	V <sub>CC</sub> = Max., V <sub>I</sub> = 2.7V			20	μA	
I <sub>IL</sub>	Low Level Input Current	V <sub>CC</sub> = Max.	Both $\bar{G}$ Inputs at 2.0V	V <sub>I</sub> = 0.5V		-50	mA
				Both $\bar{G}$ Inputs at 0.4V	V <sub>I</sub> = 0.4V		
				V <sub>I</sub> = 0.4V		-0.36	
I <sub>OS</sub>	Short Circuit Output Current	V <sub>CC</sub> = Max. (Note 2)	-30	-60	-130	mA	
I <sub>CC</sub>	Supply Current	V <sub>CC</sub> = Max.	Am71/81LS95, Am71/81LS97		16	26	mA
			Am71/81LS96, Am71/81LS98		13	21	

Notes: 1. All typical values are at V<sub>CC</sub> = 5.0V, T<sub>A</sub> = 25°C.

2. Not more than output should be shorted at a time, and duration of the short circuit should not exceed one second.

**SWITCHING CHARACTERISTICS** V<sub>CC</sub> = 5.0V, T<sub>A</sub> = 25°C

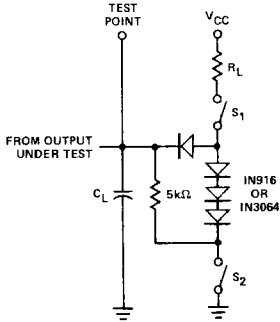
**Am71/81LS95**  
**Am71/81LS97**

**Am71/81LS96**  
**Am71/81LS98**

Parameters	Description	Test Conditions	Am71/81LS95 Am71/81LS97			Am71/81LS96 Am71/81LS98			Units
			Min.	Typ.	Max.	Min.	Typ.	Max.	
t <sub>PLH</sub>	Propagation Delay Time, Low-to-High Level Output	C <sub>L</sub> = 15pF, R <sub>L</sub> = 2kΩ		11	16		6	10	ns
t <sub>PHL</sub>	Propagation Delay Time, High-to-Low Level Output			15	22		13	17	ns
t <sub>ZH</sub>	Output Enable Time to High Level			16	25		17	27	ns
t <sub>ZL</sub>	Output Enable Time to Low Level	C <sub>L</sub> = 5pF, R <sub>L</sub> = 2kΩ		13	20		16	25	ns
t <sub>HZ</sub>	Output Disable Time from HIGH Level			13	20		13	20	ns
t <sub>LZ</sub>	Output Disable Time from Low Level			19	27		18	27	

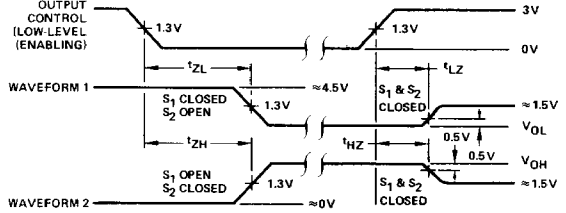
**SWITCHING CHARACTERISTICS TEST CONDITIONS**

**LOAD CIRCUIT FOR THREE-STATE OUTPUTS**



LIC-495

**VOLTAGE WAVEFORMS ENABLE AND DISABLE TIMES, THREE-STATE OUTPUTS**

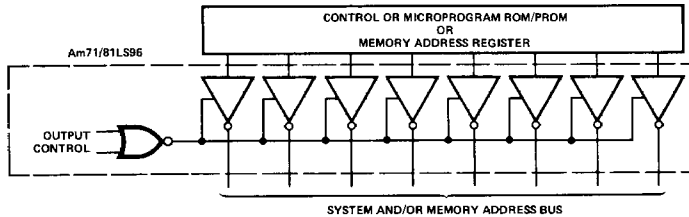


LIC-496

- Notes: 1. Waveform 1 is for an output with internal conditions such that the output is low except when disabled by the output control.
- 2. Waveform 2 is for an output with internal conditions such that the output is high except when disabled by the output control.
- 3. In the examples above, the phase relationships between inputs and outputs have been chosen arbitrarily.
- 4. Pulse generator characteristics: PRR  $\leq$  1MHz,  $Z_{OUT} \approx 50\Omega$ ,  $t_r \leq 15ns$ ,  $t_f \leq 6ns$ .
- 5. When measuring  $t_{PLH}$  and  $t_{PHL}$ , switches  $S_1$  and  $S_2$  are closed.

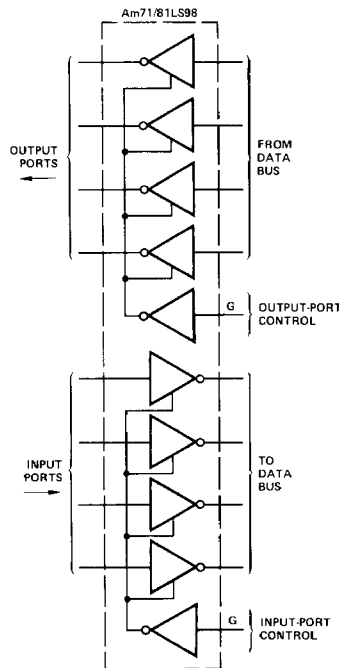
**APPLICATIONS**

**Am71/81LS96 USED AS SYSTEM AND/OR MEMORY BUS DRIVER**



LIC-497

**INDEPENDENT 4-BIT BUS DRIVERS/RECEIVERS IN A SINGLE PACKAGE**



LIC-498

## ORDERING INFORMATION

Package Type	Temperature Range	Order Number			
		Am71/81LS95	Am71/81LS96	Am71/81LS97	Am71/81LS98
Molded DIP	0°C to +70°C	DM81LS95N	DM81LS96N	DM81LS97N	DM81LS98N
Hermetic DIP	0°C to +70°C	DM81LS95J	DM81LS96J	DM81LS97J	DM81LS98J
Hermetic DIP	-55°C to +125°C	DM71LS95J	DM71LS96J	DM71LS97J	DM71LS98J
Dice	0°C to +70°C	AM81LS95X	AM81LS96X	AM81LS97X	AM81LS98X