

DS26LS31C/DS26LS31M

Quad High Speed Differential Line Driver

General Description

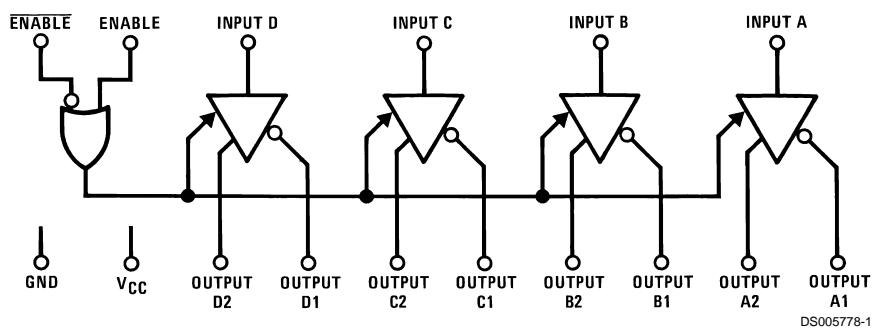
The DS26LS31 is a quad differential line driver designed for digital data transmission over balanced lines. The DS26LS31 meets all the requirements of EIA Standard RS-422 and Federal Standard 1020. It is designed to provide unipolar differential drive to twisted-pair or parallel-wire transmission lines.

The circuit provides an enable and disable function common to all four drivers. The DS26LS31 features TRI-STATE® outputs and logically ANDed complementary outputs. The inputs are all LS compatible and are all one unit load.

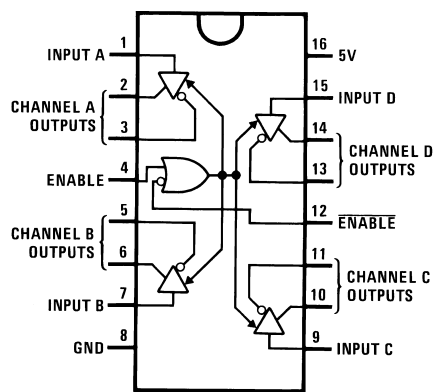
Features

- Output skew — 2.0 ns typical
- Input to output delay — 10 ns typical
- Operation from single 5V supply
- Outputs won't load line when $V_{CC} = 0V$
- Four line drivers in one package for maximum package density
- Output short-circuit protection
- Complementary outputs
- Meets the requirements of EIA Standard RS-422
- Pin compatible with AM26LS31
- Available in military and commercial temperature range

Logic and Connection Diagrams



Dual-In-Line Package



Top View

Order Number DS26LS31CM, or DS26LS31CN
 See NS Package M16A or N16E
 For Complete Military Product Specifications,
 refer to the appropriate SMD or MDS.
 Order Number DS26LS31MJ/883, DS26LS31ME/883 or DS26LS31MW/883
 See NS Package E20A, J16A or W16A

TRI-STATE® is a registered trademark of National Semiconductor Corporation.

Absolute Maximum Ratings (Note 2)

If Military/Aerospace specified devices are required, please contact the National Semiconductor Sales Office/Distributors for availability and specifications.

Supply Voltage	7V
Input Voltage	7V
Output Voltage	5.5V
Output Voltage (Power OFF)	-0.25 to 6V
Maximum Power Dissipation (Note 1) at 25°C	
Cavity Package	1509 mW
Molded DIP Package	1476 mW
SO Package	1051 mW

Operating Conditions

	Min	Max	Units
Supply Voltage, V_{CC}			
DS26LS31M	4.5	5.5	V
DS26LS31	4.75	5.25	V
Temperature, T_A			
DS26LS31M	-55	+125	°C
DS26LS31	0	+70	°C

Note 1: Derate cavity package 10.1 mW/°C above 25°C; derate molded DIP package 11.9 mW/°C above 25°C; derate SO package 8.41 mW/°C above 25°C.

Electrical Characteristics (Notes 3, 4, 5)

Symbol	Parameter	Conditions	Min	Typ	Max	Units
V_{OH}	Output High Voltage	$I_{OH} = -20$ mA	2.5			V
V_{OL}	Output Low Voltage	$I_{OL} = 20$ mA			0.5	V
V_{IH}	Input High Voltage		2.0			V
V_{IL}	Input Low Voltage				0.8	V
I_{IL}	Input Low Current	$V_{IN} = 0.4$ V		-40	-200	µA
I_{IH}	Input High Current	$V_{IN} = 2.7$ V			20	µA
I_I	Input Reverse Current	$V_{IN} = 7$ V			0.1	mA
I_O	TRI-STATE Output Current	$V_O = 2.5$ V			20	µA
		$V_O = 0.5$ V			-20	µA
V_{CL}	Input Clamp Voltage	$I_{IN} = -18$ mA			-1.5	V
I_{SC}	Output Short-Circuit Current		-30		-150	mA
I_{CC}	Power Supply Current	All Outputs Disabled or Active		35	60	mA

Switching Characteristics

$V_{CC} = 5$ V, $T_A = 25$ °C

Symbol	Parameter	Conditions	Min	Typ	Max	Units
t_{PLH}	Input to Output	$C_L = 30$ pF		10	15	ns
t_{PHL}	Input to Output	$C_L = 30$ pF		10	15	ns
Skew	Output to Output	$C_L = 30$ pF		2.0	6.0	ns
t_{LZ}	Enable to Output	$C_L = 10$ pF, S2 Open		15	35	ns
t_{HZ}	Enable to Output	$C_L = 10$ pF, S1 Open		15	25	ns
t_{ZL}	Enable to Output	$C_L = 30$ pF, S2 Open		20	30	ns
t_{ZH}	Enable to Output	$C_L = 30$ pF, S1 Open		20	30	ns

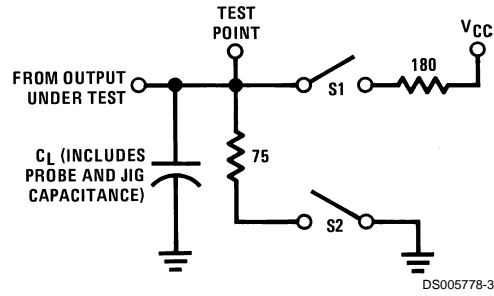
Note 2: "Absolute Maximum Ratings" are those values beyond which the safety of the device cannot be guaranteed. They are not meant to imply that the devices should be operated at these limits. The tables of "Electrical Characteristics" provide conditions for actual device operation.

Note 3: Unless otherwise specified min/max limits apply across the -55°C to +125°C temperature range for the DS26LS31M and across the 0°C to +70°C range for the DS26LS31. All typicals are given for $V_{CC} = 5$ V and $T_A = 25$ °C.

Note 4: All currents into device pins are positive; all currents out of device pins are negative. All voltages are referenced to ground unless otherwise specified.

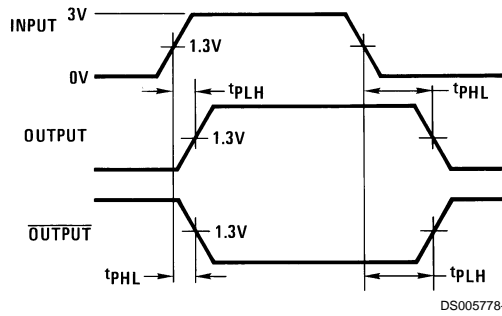
Note 5: Only one output at a time should be shorted.

AC Test Circuit and Switching Time Waveforms



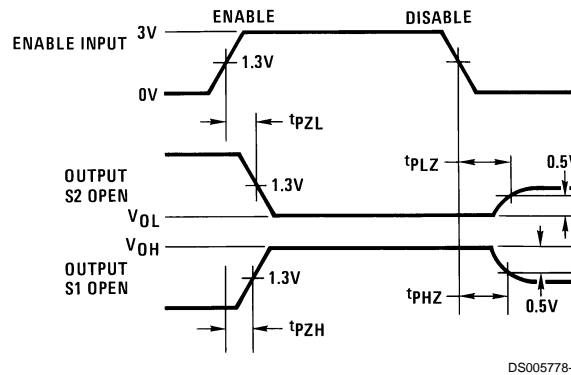
S1 and S2 of load circuit are closed except where shown.

FIGURE 1. AC Test Circuit



f = 1 MHz, $t_r \leq 15$ ns, $t_f \leq 6$ ns

FIGURE 2. Propagation Delays

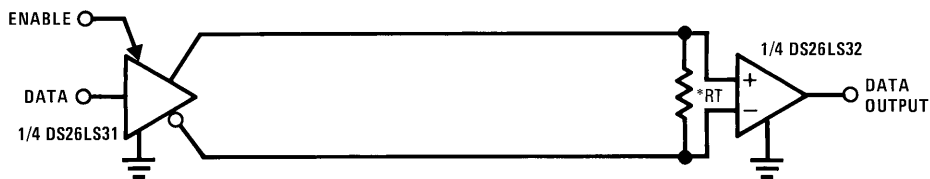


f = 1 MHz, $t_r \leq 15$ ns, $t_f \leq 6$ ns

FIGURE 3. Enable and Disable Times

Typical Applications

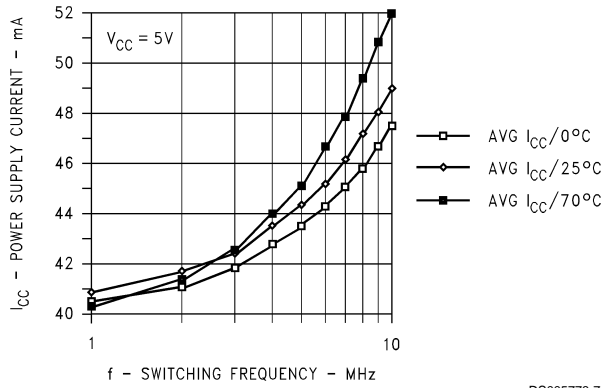
Two-Wire Balanced System, RS-422



Note 6: R_T is optional although highly recommended to reduce reflection.

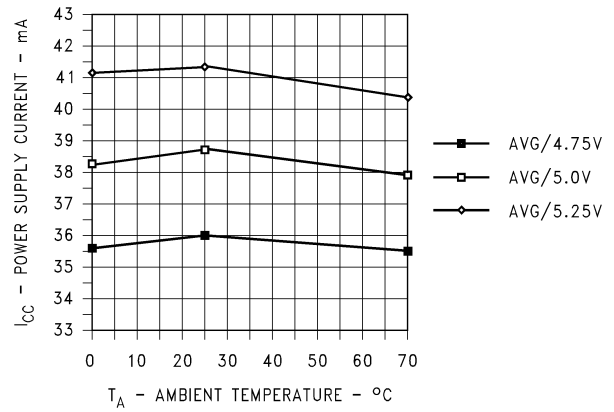
Typical Performance Characteristics

DS26LS31CN Unloaded I_{CC} vs Frequency vs T_A



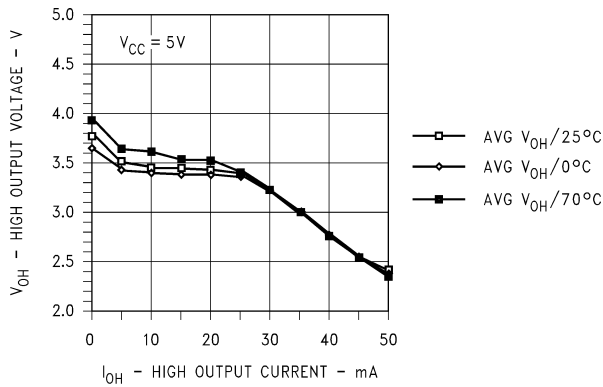
DS005778-7

DS26LS31 I_{CC} vs V_{CC} vs T_A



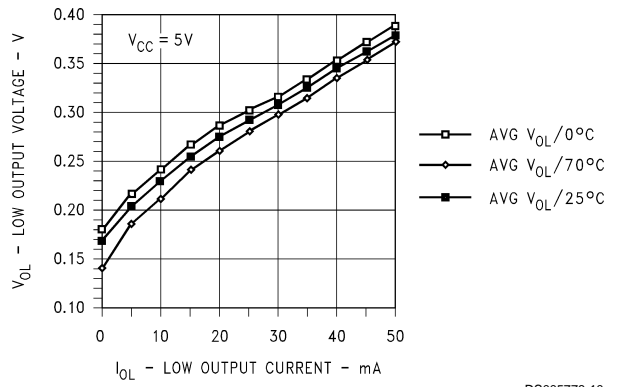
DS005778-8

DS26LS31CN V_{OH} vs I_{OH} vs T_A



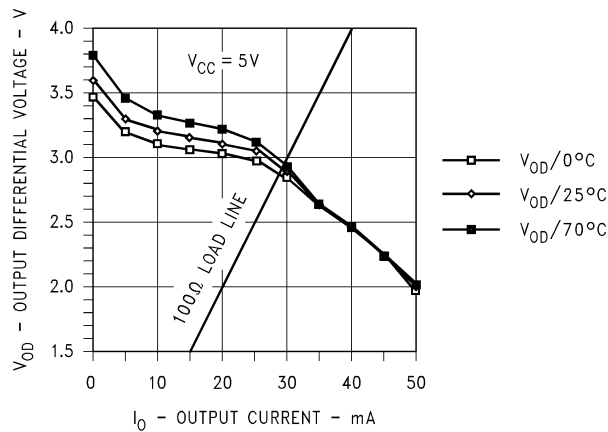
DS005778-9

DS26LS31CN V_{OL} vs I_{OL} vs T_A



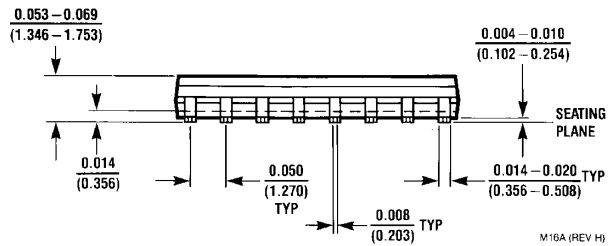
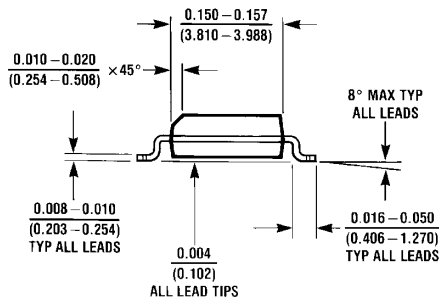
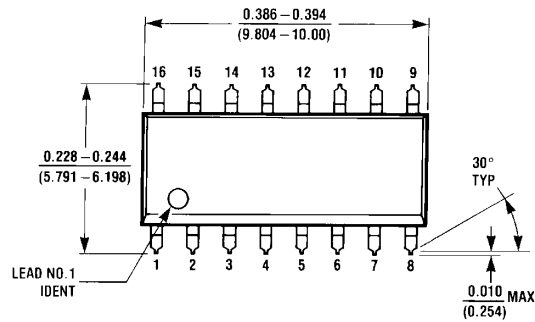
DS005778-10

DS26LS31CN V_{OD} vs I_O vs T_A

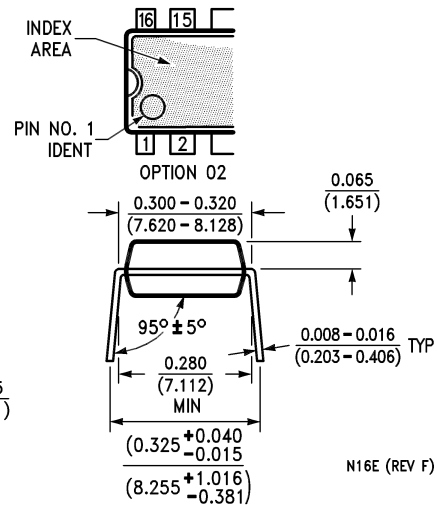
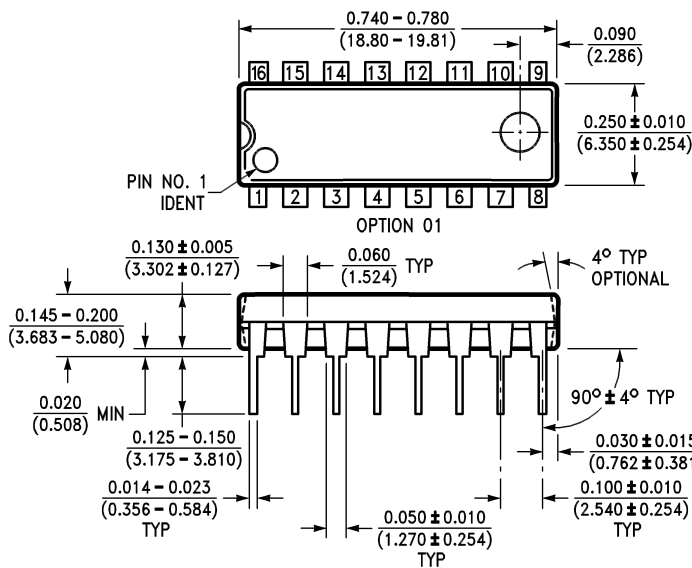


DS005778-11

Physical Dimensions inches (millimeters) unless otherwise noted

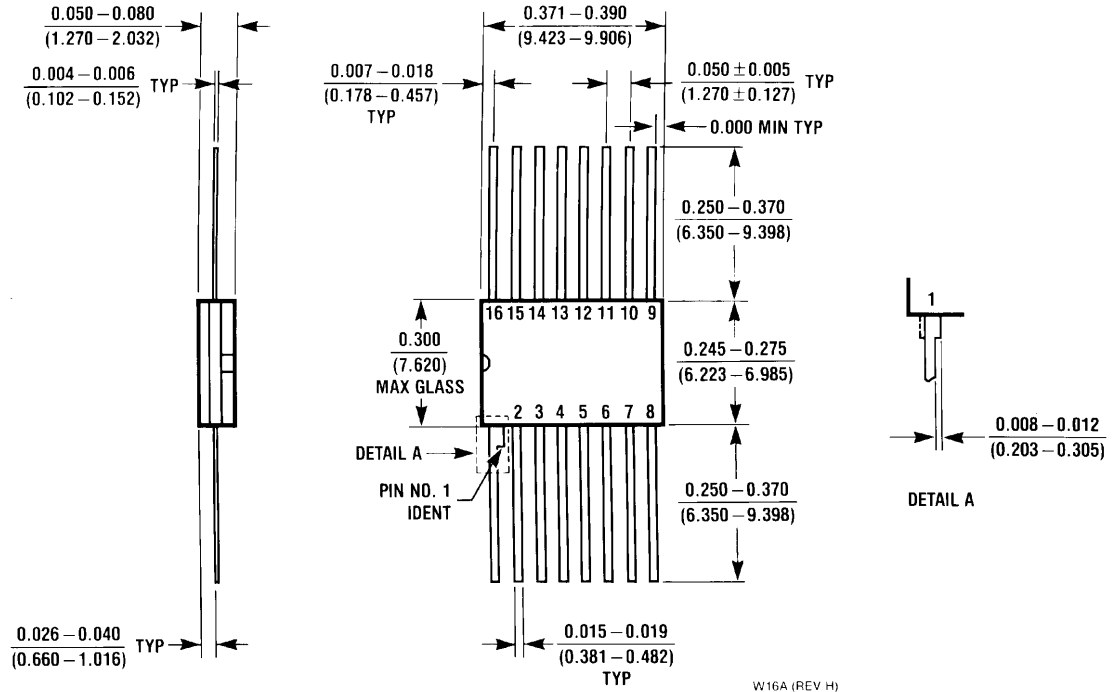


Small Outline Package (M)
Order Number DS26LS31CM
NS Package Number M16A

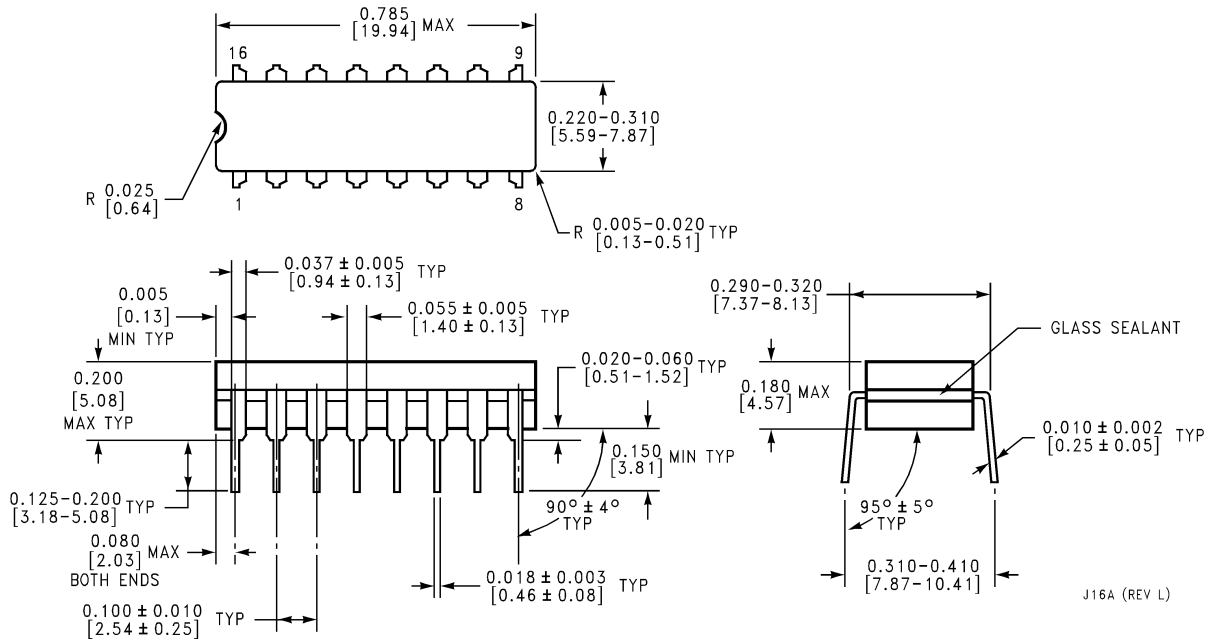


Molded Dual-In-Line Package (N)
Order Number DS26LS31CN
NS Package Number N16E

Physical Dimensions inches (millimeters) unless otherwise noted (Continued)

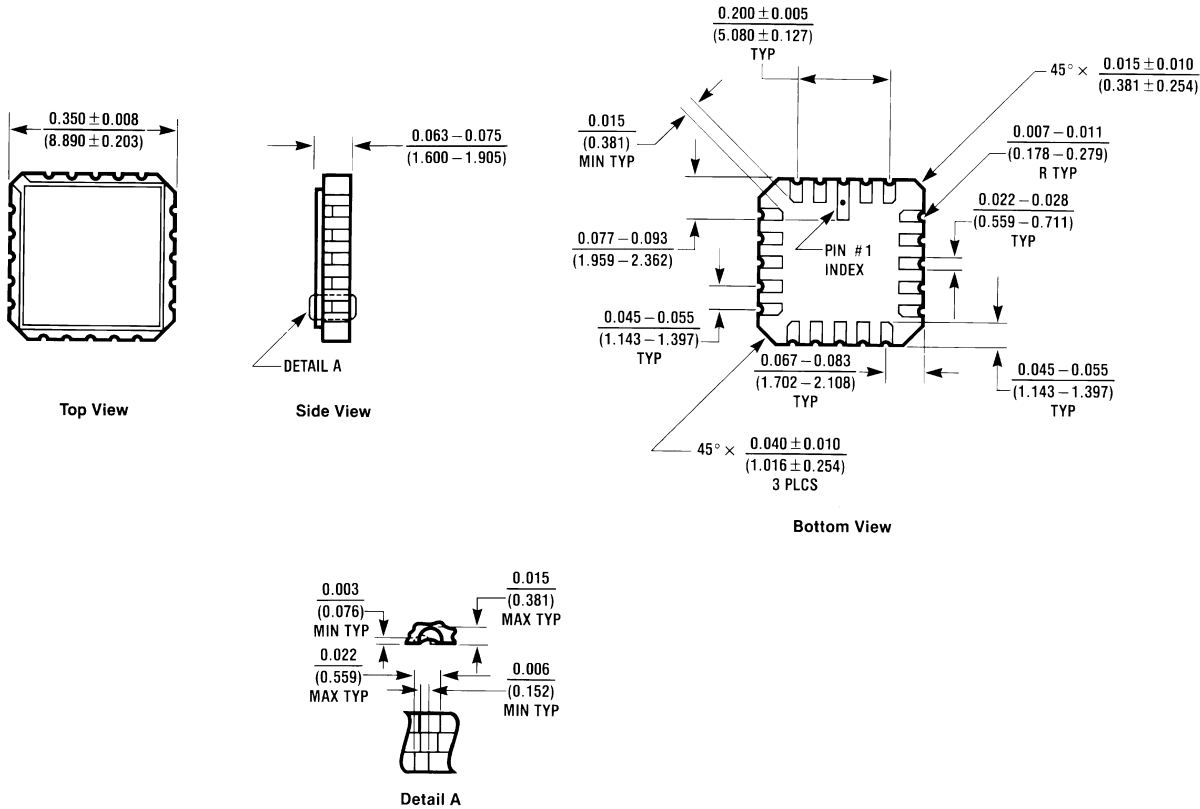


16 Lead Ceramic Flatpak (F)
Order Number DS26LS31MW/883
NS Package Number W16A



16 Lead Ceramic Dual-in-Line Package (J)
Order Number DS26LS31MJ/883
NS Package Number J16A

Physical Dimensions inches (millimeters) unless otherwise noted (Continued)



E20A (REV D)

20 Lead Ceramic Leadless Chip Carrier (E)
Order Number DS26LS31MJE/883
NS Package Number E20A

LIFE SUPPORT POLICY

NATIONAL'S PRODUCTS ARE NOT AUTHORIZED FOR USE AS CRITICAL COMPONENTS IN LIFE SUPPORT DEVICES OR SYSTEMS WITHOUT THE EXPRESS WRITTEN APPROVAL OF THE PRESIDENT AND GENERAL COUNSEL OF NATIONAL SEMICONDUCTOR CORPORATION. As used herein:

1. Life support devices or systems are devices or systems which, (a) are intended for surgical implant into the body, or (b) support or sustain life, and whose failure to perform when properly used in accordance with instructions for use provided in the labeling, can be reasonably expected to result in a significant injury to the user.
2. A critical component is any component of a life support device or system whose failure to perform can be reasonably expected to cause the failure of the life support device or system, or to affect its safety or effectiveness.

 **National Semiconductor Corporation**
 Americas
 Tel: 1-800-272-9959
 Fax: 1-800-737-7018
 Email: support@nsc.com
 www.national.com

National Semiconductor Europe
 Fax: +49 (0) 180-530 85 86
 Email: europe.support@nsc.com
 Deutsch Tel: +49 (0) 69 9508 6208
 English Tel: +44 (0) 870 24 0 2171
 Français Tel: +33 (0) 1 41 91 8790

National Semiconductor Asia Pacific Customer Response Group
 Tel: 65-2544466
 Fax: 65-2504466
 Email: ap.support@nsc.com

National Semiconductor Japan Ltd.
 Tel: 81-3-5639-7560
 Fax: 81-3-5639-7507