

DATA SHEET

For a complete data sheet, please also download:

- The IC04 LOCMOS HE4000B Logic Family Specifications HEF, HEC
- The IC04 LOCMOS HE4000B Logic Package Outlines/Information HEF, HEC

HEF4044B

MSI

Quadruple R/S latch with 3-state outputs

Product specification
File under Integrated Circuits, IC04

January 1995

Quadruple R/S latch with 3-state outputs

HEF4044B
MSI

The HEF4044B is a quadruple R/S latch with 3-state outputs with a common output enable input (EO). Each latch has an active LOW set input (\bar{S}_0 to \bar{S}_3), an active LOW reset input (\bar{R}_0 to \bar{R}_3) and an active HIGH 3-state output (O_0 to O_3).

When EO is HIGH, the state of the latch output (O_n) can be determined from the function table below. When EO is LOW, the latch outputs are in the high impedance OFF-state. EO does not affect the state of the latch.

The high impedance off-state feature allows common bussing of the outputs.

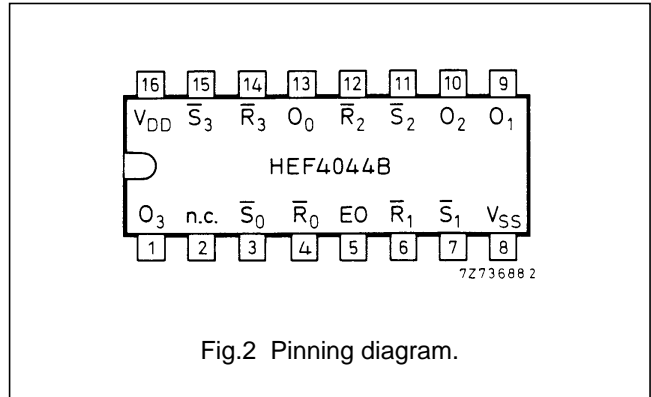


Fig.2 Pinning diagram.

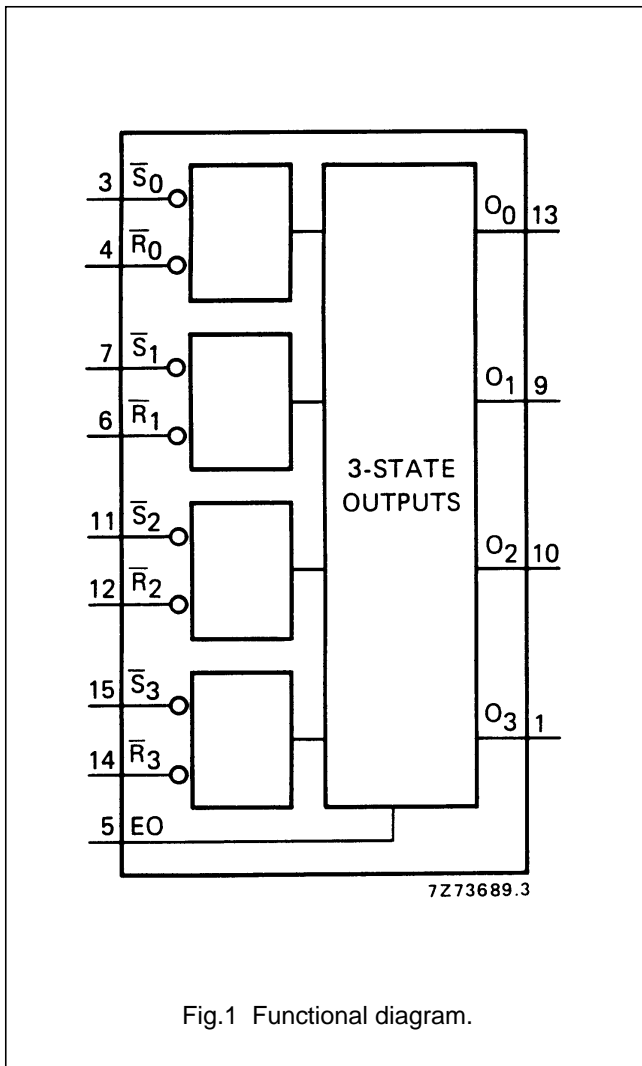


Fig.1 Functional diagram.

- HEF4044BP(N): 16-lead DIL; plastic (SOT38-1)
- HEF4044BD(F): 16-lead DIL; ceramic (cerdip) (SOT74)
- HEF4044BT(D): 16-lead SO; plastic (SOT109-1)
- (): Package Designator North America

PINNING

- EO common output enable input
- \bar{S}_0 to \bar{S}_3 set inputs (active LOW)
- \bar{R}_0 to \bar{R}_3 reset inputs (active LOW)
- O_0 to O_3 3-state buffered latch outputs

FUNCTION TABLE

INPUTS			OUTPUT O_n
EO	\bar{S}_n	\bar{R}_n	
L	X	X	Z
H	L	H	H
H	X	L	L
H	H	H	latched

Notes

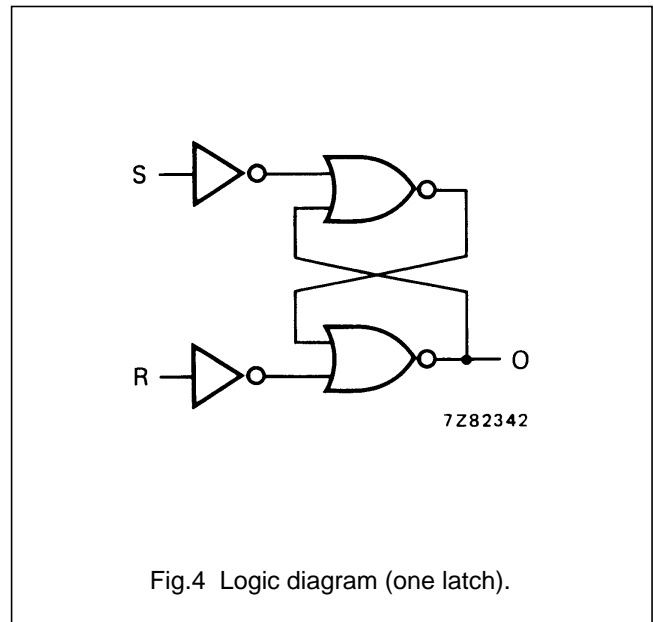
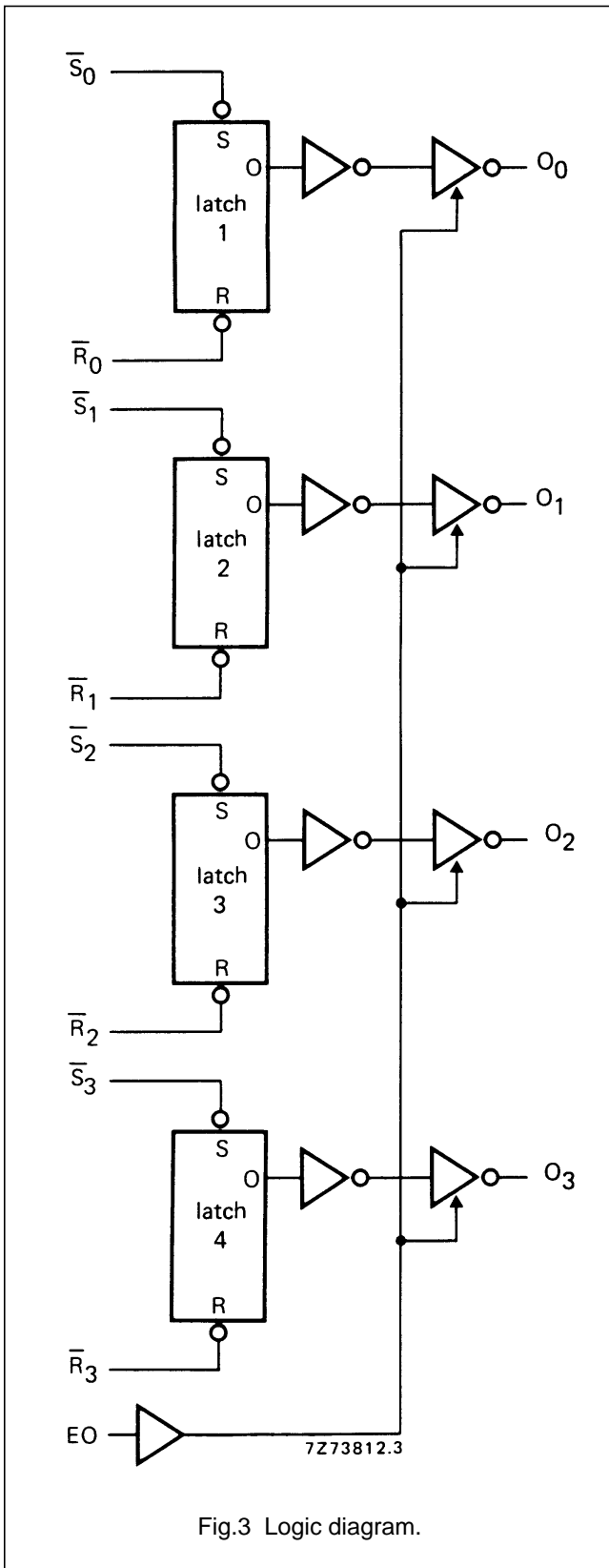
1. H = HIGH state (the more positive voltage)
- L = LOW state (the less positive voltage)
- X = state immaterial
- Z = high impedance OFF-state

FAMILY DATA, I_{DD} LIMITS category MSI

See Family Specifications

Quadruple R/S latch with 3-state outputs

HEF4044B
MSI



Quadruple R/S latch with 3-state outputs

HEF4044B MSI

AC CHARACTERISTICS

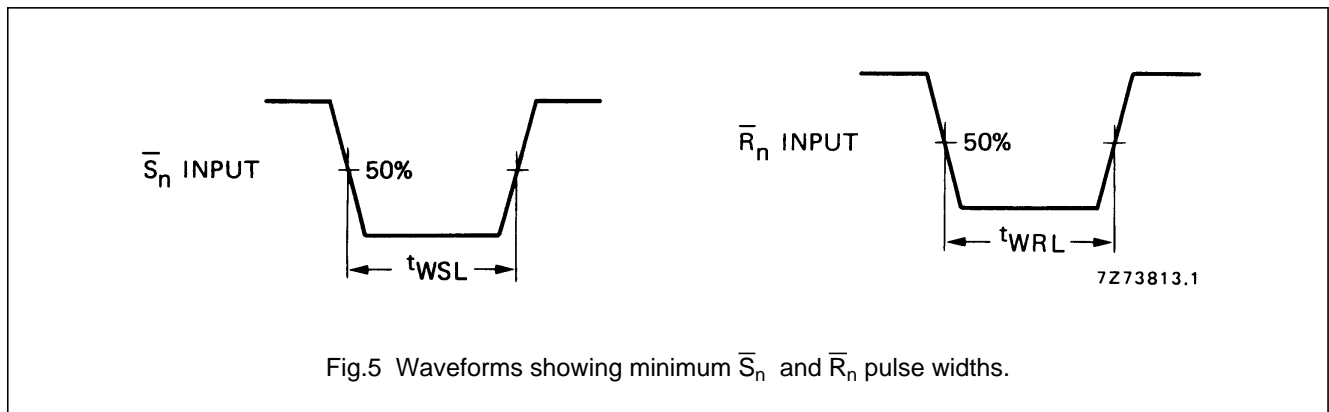
$V_{SS} = 0$ V; $T_{amb} = 25$ °C; $C_L = 50$ pF; input transition times ≤ 20 ns

	V_{DD} V	SYMBOL	MIN.	TYP.	MAX.	TYPICAL EXTRAPOLATION FORMULA	
Propagation delays $\bar{R}_n \rightarrow O_n$ HIGH to LOW	5	t_{PHL}		90	185 ns	$63 \text{ ns} + (0,55 \text{ ns/pF}) C_L$	
	10		40	80 ns	$29 \text{ ns} + (0,23 \text{ ns/pF}) C_L$		
	15		30	60 ns	$22 \text{ ns} + (0,16 \text{ ns/pF}) C_L$		
	$\bar{S}_n \rightarrow O_n$ LOW to HIGH	5	t_{PLH}		90	180 ns	$63 \text{ ns} + (0,55 \text{ ns/pF}) C_L$
		10		40	80 ns	$29 \text{ ns} + (0,23 \text{ ns/pF}) C_L$	
		15		30	60 ns	$22 \text{ ns} + (0,16 \text{ ns/pF}) C_L$	
Output transition times HIGH to LOW	5	t_{THL}		60	120 ns	$10 \text{ ns} + (1,0 \text{ ns/pF}) C_L$	
	10		30	60 ns	$9 \text{ ns} + (0,42 \text{ ns/pF}) C_L$		
	15		20	40 ns	$6 \text{ ns} + (0,28 \text{ ns/pF}) C_L$		
	LOW to HIGH	5	t_{TLH}		60	120 ns	$10 \text{ ns} + (1,0 \text{ ns/pF}) C_L$
		10		30	60 ns	$9 \text{ ns} + (0,42 \text{ ns/pF}) C_L$	
		15		20	40 ns	$6 \text{ ns} + (0,28 \text{ ns/pF}) C_L$	
3-state propagation delays Output disable times $EO \rightarrow O_n$ HIGH	5	t_{PHZ}		50	100 ns	see also waveforms Fig.5	
	10		30	60 ns			
	15		25	50 ns			
	LOW	5	t_{PLZ}		30		60 ns
		10		25	45 ns		
		15		20	40 ns		
Output enable times $EO \rightarrow O_n$ HIGH	5	t_{PZH}		50	100 ns		
	10		25	50 ns			
	15		20	40 ns			
	LOW	5	t_{PZL}		50		95 ns
		10		25	45 ns		
		15		20	35 ns		
Minimum \bar{S}_n pulse width; LOW	5	t_{WSL}	30	15	ns		
	10		20	10	ns		
	15		16	8	ns		
Minimum \bar{R}_n pulse width; LOW	5	t_{WRL}	30	15	ns		
	10		20	10	ns		
	15		16	8	ns		

Quadruple R/S latch with 3-state outputs

HEF4044B
MSI

	V _{DD} V	TYPICAL FORMULA FOR P (μW)	
Dynamic power dissipation per package (P)	5	$1300 f_i + \sum (f_o C_L) \times V_{DD}^2$	where f _i = input freq. (MHz) f _o = output freq. (MHz) C _L = total load capacitance (pF) Σ (f _o C _L) = sum of outputs V _{DD} = supply voltage (V)
	10	$5200 f_i + \sum (f_o C_L) \times V_{DD}^2$	
	15	$12\,900 f_i + \sum (f_o C_L) \times V_{DD}^2$	



APPLICATION INFORMATION

An example of application for the HEF4044B is:

- Four-bit storage with output enable