



# LA6530, 6531

## 2-Channel BTL-Use Drivers

### Overview

The LA6530, 6531 are 2-channel BTL-use drivers designed for compact disc pickup actuation.

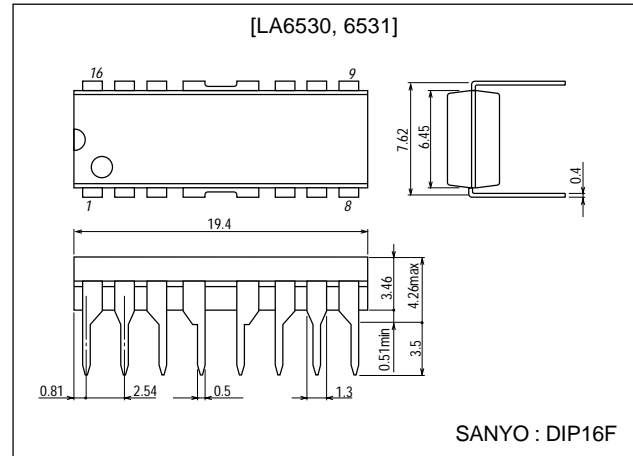
### Functions and Features

- High output current ( $I_O \text{ max}=0.7\text{A}$ ).
- Wide operating voltage range (4 to 15V),
- Low input bias current.
- LA6530 ..... Output of amps 1 to 4 at muting-ON mode : OFF
- LA6531 ..... Output of amps 1 to 4 and buffer amplifier at muting-ON mode : OFF

### Package Dimensions

unit:mm

3054A-D16F



### Specifications

Maximum Ratings at  $T_a = 25^\circ\text{C}$

Parameter	Symbol	Conditions	Ratings	Unit
Maximum supply voltage	$V_{CC \text{ max}}$		16	V
Allowable power dissipation	$P_d \text{ max}$		1.9	W
Differential input voltage	$V_{ID}$	Amplifier 2, amplifier 3	15	V
Common-mode input voltage	$V_{ICM}$	Amplifier 2, amplifier 3	15	V
Maximum input voltage	$V_{INB \text{ max}}$	Buffer amplifier	15	V
Maximum flow-in current at muting pin	$I_M \text{ max}$		1.0	mA
Maximum output current	$I_O \text{ max}$		0.7	A
Operating temperature	$T_{opr}$		-20 to +75	$^\circ\text{C}$
Storage temperature	$T_{stg}$		-55 to +150	$^\circ\text{C}$

Operating Conditions at  $T_a = 25^\circ\text{C}$

Parameter	Symbol	Conditions	Ratings	Unit
Maximum supply voltage	$V_{CC \text{ max}}$		5	V
Load resistance	$R_L$		8	$\Omega$

■ Any and all SANYO products described or contained herein do not have specifications that can handle applications that require extremely high levels of reliability, such as life-support systems, aircraft's control systems, or other applications whose failure can be reasonably expected to result in serious physical and/or material damage. Consult with your SANYO representative nearest you before using any SANYO products described or contained herein in such applications.

■ SANYO assumes no responsibility for equipment failures that result from using products at values that exceed, even momentarily, rated values (such as maximum ratings, operating condition ranges, or other parameters) listed in products specifications of any and all SANYO products described or contained herein.

**SANYO Electric Co.,Ltd. Semiconductor Company**

TOKYO OFFICE Tokyo Bldg., 1-10, 1 Chome, Ueno, Taito-ku, TOKYO, 110-8534 JAPAN

# LA6530, 6531

Operating Characteristics at  $T_a = 25^\circ\text{C}$ ,  $V_{CC}=5.0\text{V}$

Parameter	Symbol	Conditions	Ratings			Unit
			min	typ	max	
No-loaded current drain 1	$I_{CC1}$	Mute OFF, pins 8, 9, 16 GND	5	10	20	mA
No-loaded current drain 2	$I_{CC2}$	Mute OFF, pins 8, 9, 16 GND	3	7	15	mA
No-loaded current drain 3	$I_{CC3}$	Mute OFF, pins 8, 9, 16 $1/2 V_{CC}$	10	20	30	mA
No-loaded current drain 4	$I_{CC4}$	Mute OFF, pins 8, 9, 16 $1/2 V_{CC}$	4	8	16	mA
Output offset voltage 1	$V_{OF1}$	Out 1 - Out 2	-50		+50	mV
Output offset voltage 2	$V_{OF2}$	Out 4 - Out 3	-50		+50	mV
Buffer input-output voltage difference	$V_{BIO}$	Buffer amplifier	-30		+30	mV
Buffer input voltage range	$V_{BICM}$	Buffer amplifier	1.5		$V_{CC}-1.5$	V
Common-mode input voltage range	$V_{ICM}$	Amplifier 2, amplifier 3	1.0		$V_{CC}-1.5$	V
Input bias current	$I_B$			50	300	nA
Output voltage	$V_O$	$R_L=8.0\Omega$	2.8	3.3		V
Bridge output voltage difference	$V_{OD}$	Pins3-6, 11-14 $8\Omega$ load	1.8	2.2		V
Closed-circuit voltage gain	$V_G$		30	38		dB
Muting pin ON-state voltage	$V_M$			0.7		V
Muting pin flow-in current	$I_M$			3		$\mu\text{A}$

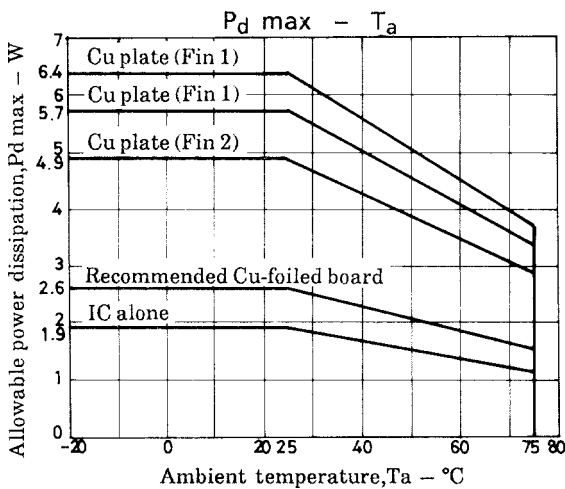
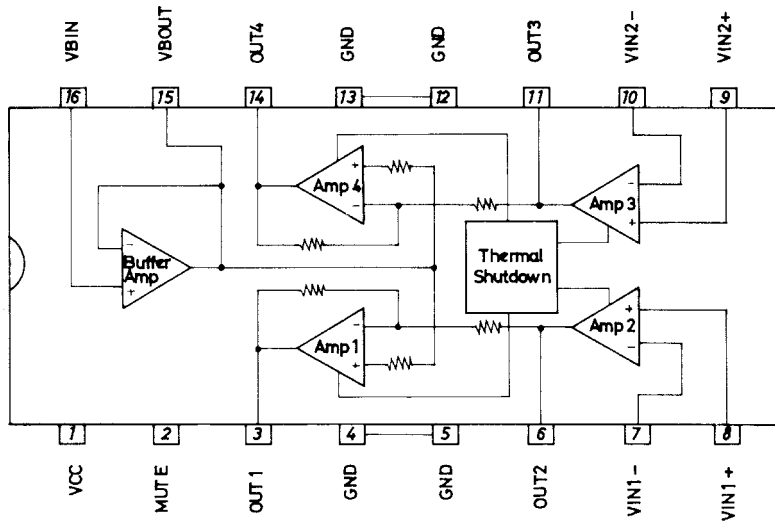
Note ) With thermal shutdown function

\* : The LA6530 is so designed that the outputs at OUT1 to OUT4 are turned OFF and the output at VBOUT is not turned OFF at the muting-ON mode.

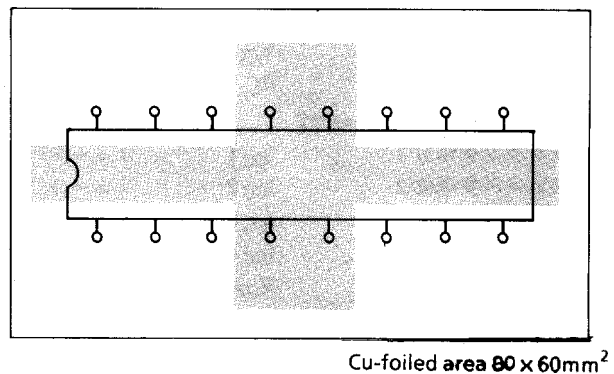
\* : The LA6531 is so designed that the outputs at OUT1 to OUT4 and the output at VBOUT are turned OFF.

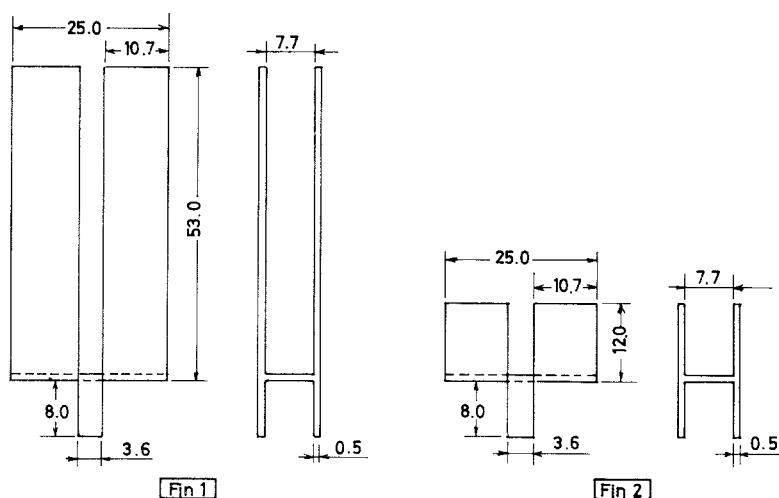
\* : Be carefull in handling the LA6530, 6531, because dielectric breakdown is liable to occur.

## Equivalent Circuit Block Diagram



## Sample Printed Circuit Pattern





- Specifications of any and all SANYO products described or contained herein stipulate the performance, characteristics, and functions of the described products in the independent state, and are not guarantees of the performance, characteristics, and functions of the described products as mounted in the customer's products or equipment. To verify symptoms and states that cannot be evaluated in an independent device, the customer should always evaluate and test devices mounted in the customer's products or equipment.
- SANYO Electric Co., Ltd. strives to supply high-quality high-reliability products. However, any and all semiconductor products fail with some probability. It is possible that these probabilistic failures could give rise to accidents or events that could endanger human lives, that could give rise to smoke or fire, or that could cause damage to other property. When designing equipment, adopt safety measures so that these kinds of accidents or events cannot occur. Such measures include but are not limited to protective circuits and error prevention circuits for safe design, redundant design, and structural design.
- In the event that any or all SANYO products(including technical data, services) described or contained herein are controlled under any of applicable local export control laws and regulations, such products must not be exported without obtaining the export license from the authorities concerned in accordance with the above law.
- No part of this publication may be reproduced or transmitted in any form or by any means, electronic or mechanical, including photocopying and recording, or any information storage or retrieval system, or otherwise, without the prior written permission of SANYO Electric Co., Ltd.
- Any and all information described or contained herein are subject to change without notice due to product/technology improvement, etc. When designing equipment, refer to the "Delivery Specification" for the SANYO product that you intend to use.
- Information (including circuit diagrams and circuit parameters) herein is for example only ; it is not guaranteed for volume production. SANYO believes information herein is accurate and reliable, but no guarantees are made or implied regarding its use or any infringements of intellectual property rights or other rights of third parties.

This catalog provides information as of April, 2000. Specifications and information herein are subject to change without notice.