



LOW POWER QUAD OPERATIONAL AMPLIFIER

- WIDE GAIN BANDWIDTH: 1.3MHz
- INPUT COMMON-MODE VOLTAGE RANGE INCLUDES GROUND
- LARGE VOLTAGE GAIN: 100dB
- VERY LOW SUPPLY CURRENT/AMPLI: 375µA
- LOW INPUT BIAS CURRENT: 20nA
- LOW INPUT OFFSET CURRENT: 2nA
- WIDE POWER SUPPLY RANGE:
SINGLE SUPPLY: +3V TO +30V
DUAL SUPPLIES: ±1.5V TO ±15V

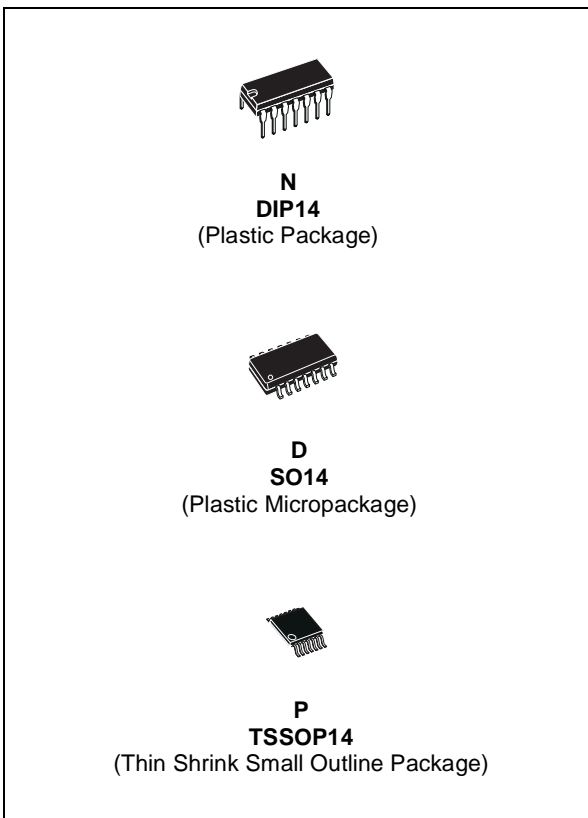
DESCRIPTION

This circuit consists of four independent, high gain, internally frequency compensated operational amplifiers which were designed specially for automotive and industrial control systems. It operates from a single power supply over a wide range of voltages. Operation from split power supplies is also possible and the low power supply current drain is independent of the magnitude of the power supply voltage.

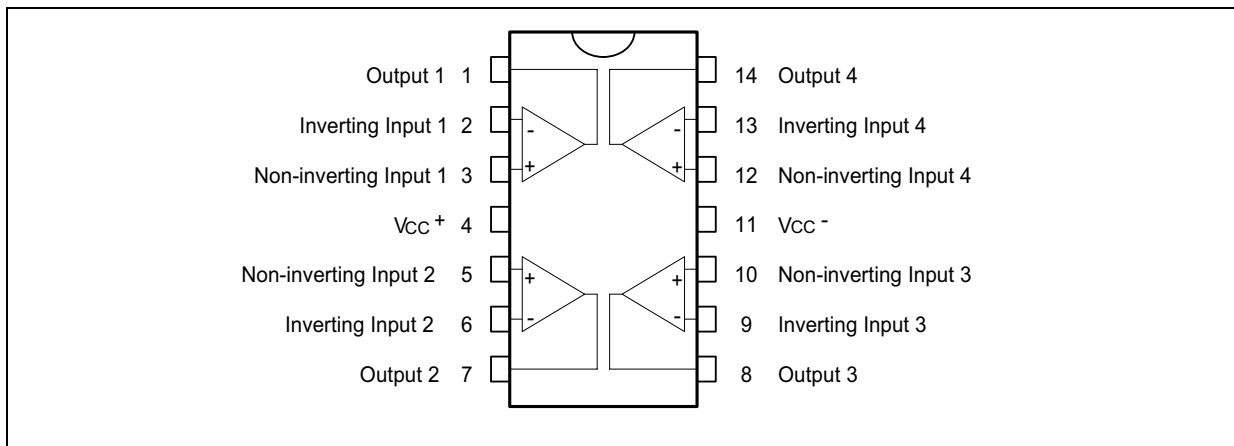
ORDER CODE

Part Number	Temperature Range	Package		
		N	D	P
LM2902	-40°C, +125°C	•	•	•

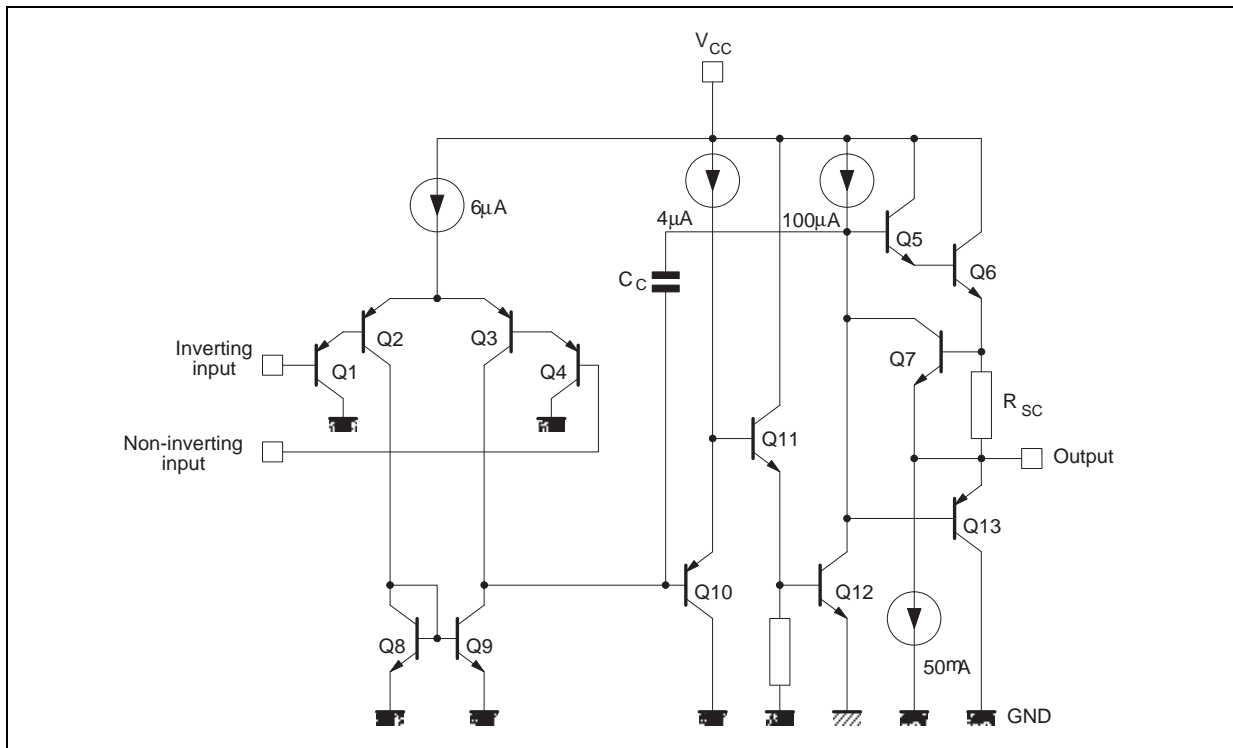
N = Dual in Line Package (DIP)
 D = Small Outline Package (SO) - also available in Tape & Reel (DT)
 P = Thin Shrink Small Outline Package (TSSOP) - only available in Tape & Reel (PT)



PIN CONNECTIONS (top view)



SCHEMATIC DIAGRAM (1/4 LM2902)



ABSOLUTE MAXIMUM RATINGS

Symbol	Parameter	Value	Unit	
V_{CC}	Supply Voltage	± 16 to 32	V	
V_{id}	Differential Input Voltage	+32	V	
V_I	Input Voltage	-0.3 to +32	V	
	Output Short-circuit to Ground ¹⁾	Infinite		
P_{tot}	Power Dissipation	N Suffix D Suffix	500 400	mW
I_{in}	Input Current ²⁾	50	mA	
T_{oper}	Operating Free-Air Temperature Range	-40 to +125	°C	
T_{stg}	Storage Temperature Range	-65 to +150	°C	

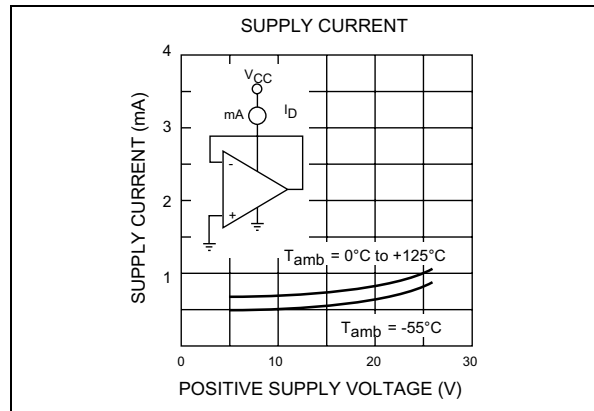
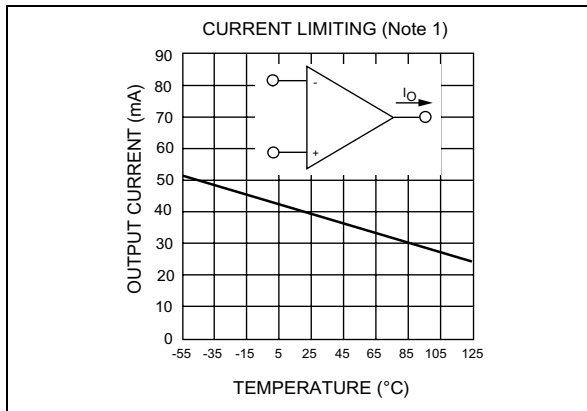
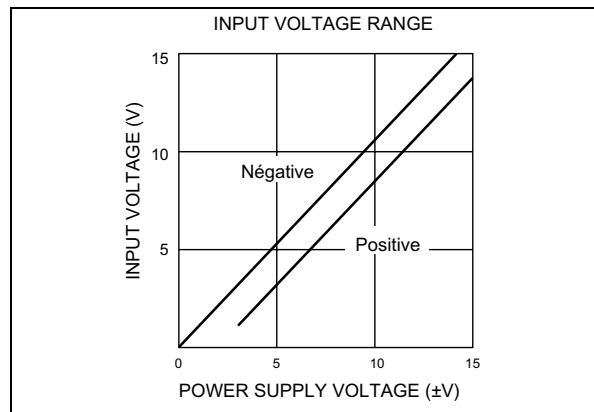
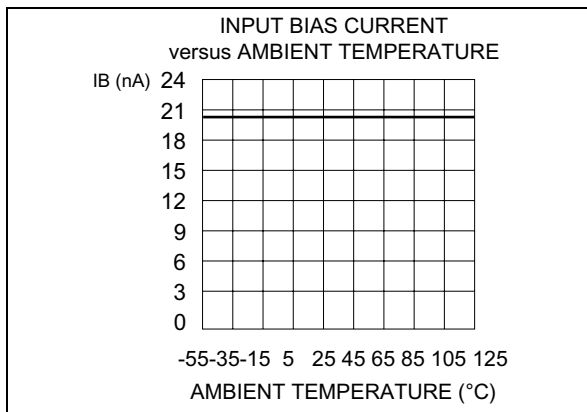
- Short-circuit from the output to V_{CC} can cause excessive heating if $V_{CC} > 15V$. The maximum output current is approximately 40mA independent of the magnitude of V_{CC} . Destructive dissipation can result from simultaneous short-circuit on all amplifiers.
- This input current only exists when the voltage at any of the input leads is driven negative. It is due to the collector-base junction of the input PNP transistor becoming forward biased and thereby acting as input diodes clamps. In addition to this diode action, there is also NPN parasitic action on the IC chip. This transistor action can cause the output voltages of the Op-Amps to go to the V_{CC} voltage level (or to ground for a large overdrive) for the time duration than an input is driven negative. This is not destructive and normal output will set up again for input voltage higher than -0.3V.

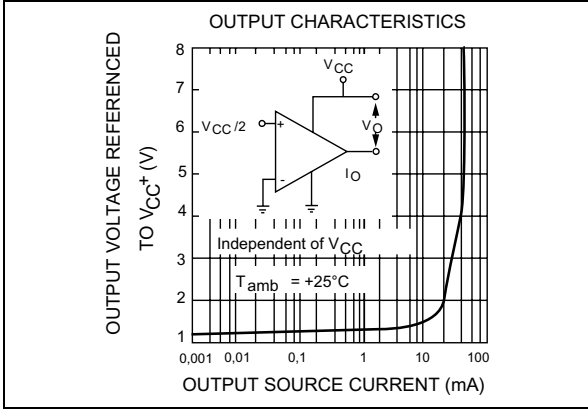
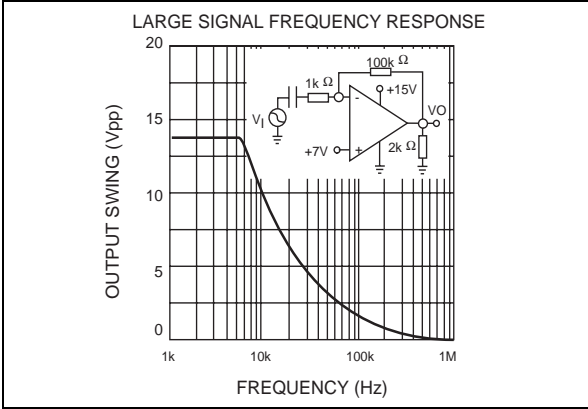
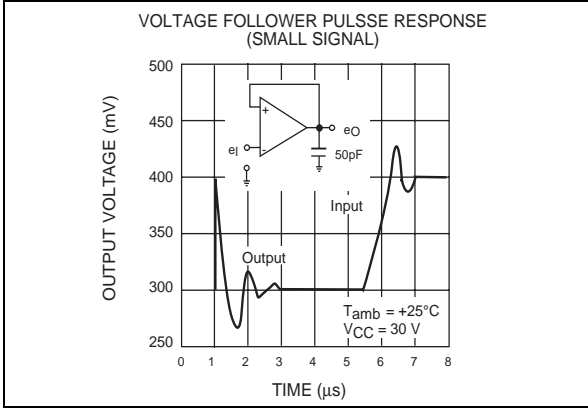
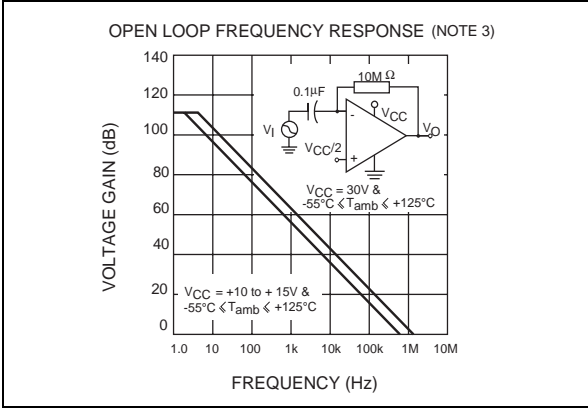
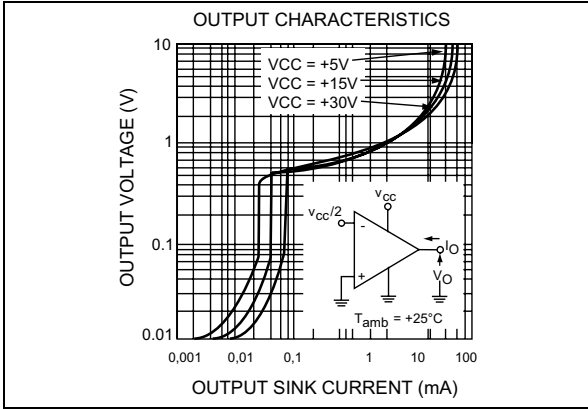
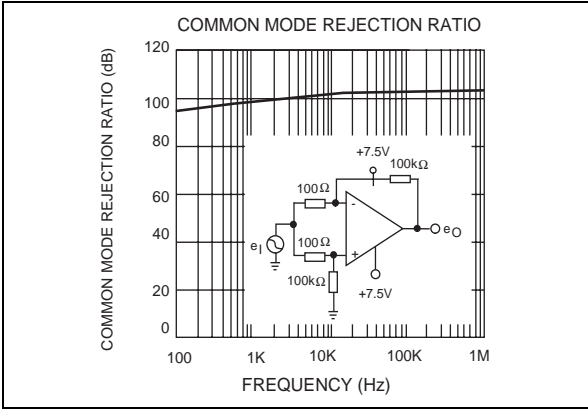
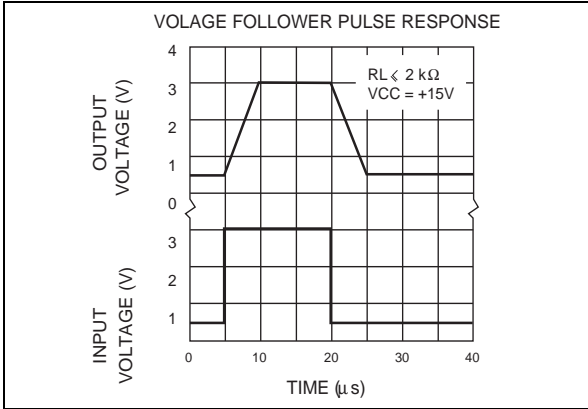
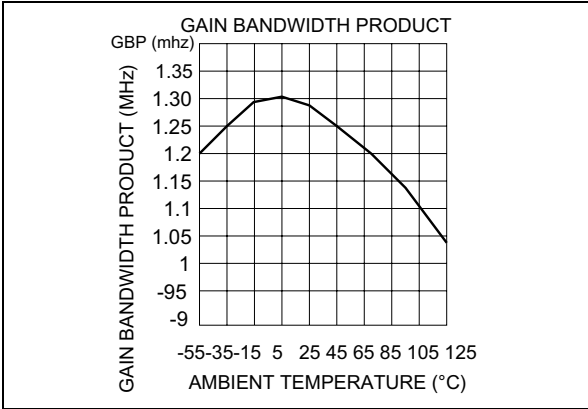
ELECTRICAL CHARACTERISTICS
 $V_{CC}^+ = 5V$, $V_{CC}^- = \text{Ground}$, $V_O = 1.4V$, $T_{amb} = 25^\circ\text{C}$ (unless otherwise specified)

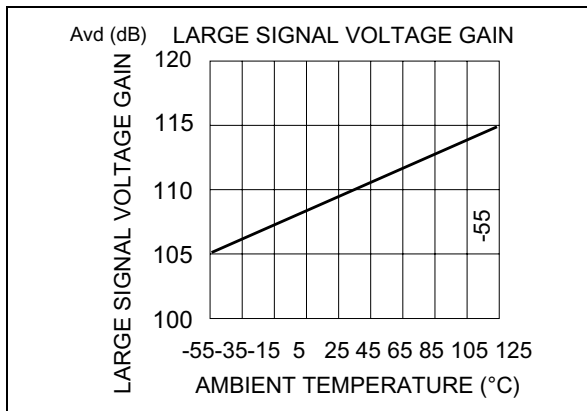
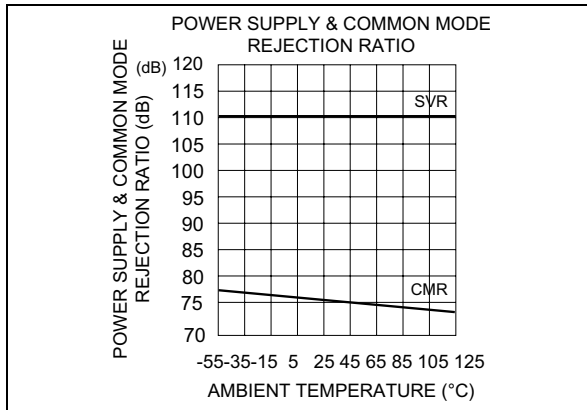
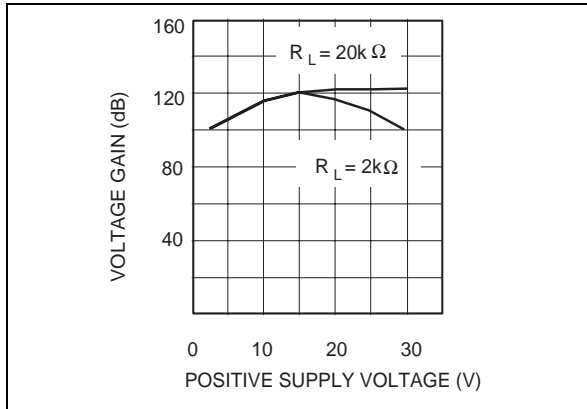
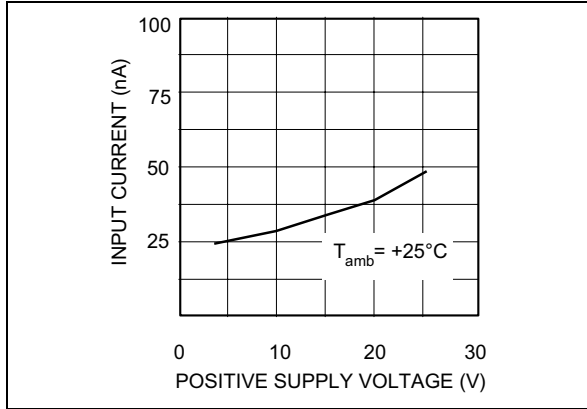
Symbol	Parameter	Min.	Typ.	Max.	Unit
V_{io}	Input Offset Voltage ¹⁾ $T_{amb} = +25^\circ\text{C}$ $T_{min} \leq T_{amb} \leq T_{max.}$		2	7 9	mV
I_{io}	Input Offset Current $T_{amb} = +25^\circ\text{C}$ $T_{min} \leq T_{amb} \leq T_{max.}$		2	30 40	nA
I_{ib}	Input Bias Current ²⁾ $T_{amb} = +25^\circ\text{C}$ $T_{min} \leq T_{amb} \leq T_{max.}$		20	150 300	nA
A_{vd}	Large Signal Voltage Gain $V_{CC}^+ = +15V, R_L = 2k\Omega, V_O = 1.4V \text{ to } 11.4V$ $T_{amb} = +25^\circ\text{C}$ $T_{min} \leq T_{amb} \leq T_{max.}$	50 25	100		V/mV
SVR	Supply Voltage Rejection Ratio ($R_S \leq 10k\Omega$) $T_{amb} = +25^\circ\text{C}$ $T_{min} \leq T_{amb} \leq T_{max.}$	65 65	110		dB
I_{cc}	Supply Current, all Amp, no load $T_{amb} = +25^\circ\text{C}$ $T_{min} \leq T_{amb} \leq T_{max.}$		$V_{CC} = +5V$ 0.7 $V_{CC} = +30V$ 1.5 $V_{CC} = +5V$ 0.8 $V_{CC} = +30V$ 1.5	1.2 3 1.2 3	mA
V_{icm}	Input Common Mode Voltage Range ($V_{cc} = +30V$) ³⁾ $T_{amb} = +25^\circ\text{C}$ $T_{min} \leq T_{amb} \leq T_{max.}$	0 0		$V_{CC} - 1.5$ $V_{CC} - 2$	V
CMR	Common-mode Rejection Ratio ($R_S \leq 10k\Omega$) $T_{amb} = +25^\circ\text{C}$ $T_{min} \leq T_{amb} \leq T_{max.}$	70 60	80		dB
I_O	Output Short-circuit Current ($V_{id} = +1V$) $V_{CC} = +15V, V_O = +2V$	20	40	70	mA
I_{sink}	Output Sink Current ($V_{id} = -1V$) $V_{CC} = +15V, V_O = +2V$ $V_{CC} = +15V, V_O = +0.2V$	10 12	20 50		mA μA
V_{OH}	High Level Output Voltage ($V_{cc} + 30V$) $T_{amb} = +25^\circ\text{C}$ $T_{min} \leq T_{amb} \leq T_{max.}$ $T_{amb} = +25^\circ\text{C}$ $T_{min} \leq T_{amb} \leq T_{max.}$ ($V_{cc} + 5V$), $R_L = 2k\Omega$ $T_{min} \leq T_{amb} \leq T_{max.}$ $T_{amb} = +25^\circ\text{C}$	26 26 27 27 3.5 3	27 28		V
V_{OL}	Low Level Output Voltage ($R_L = 10k\Omega$) $T_{amb} = +25^\circ\text{C}$ $T_{min} \leq T_{amb} \leq T_{max}$		5	20 20	mV
SR	Slew Rate $V_{cc} = 15V, V_i = 0.5 \text{ to } 3V, R_L = 2k\Omega, C_L = 100pF$, unity gain		0.4		V/ μs

Symbol	Parameter	Min.	Typ.	Max.	Unit
GBP	Gain Bandwidth Product $V_{CC} = 30V, V_{in} = 10mV, R_L = 2k\Omega, C_L = 100pF$		1.3		MHz
THD	Total Harmonic Distortion $f = 1kHz, A_V = 20dB, R_L = 2k\Omega, V_o = 2V_{pp}, C_L = 100pF, V_{CC} = 30V$		0.015		%
e_n	Equivalent Input Noise Voltage $f = 1kHz, R_S = 100\Omega, V_{CC} = 30V$		40		$\frac{nV}{\sqrt{Hz}}$
DV_{io}	Input Offset Voltage Drift		7	30	$\mu V/^\circ C$
DI_{io}	Input Offset Current Drift		10	200	$pA/^\circ C$
V_{O1}/V_{O2}	Channel Separation ⁴⁾ $1kHz \leq f \leq 20kHz$		120		dB

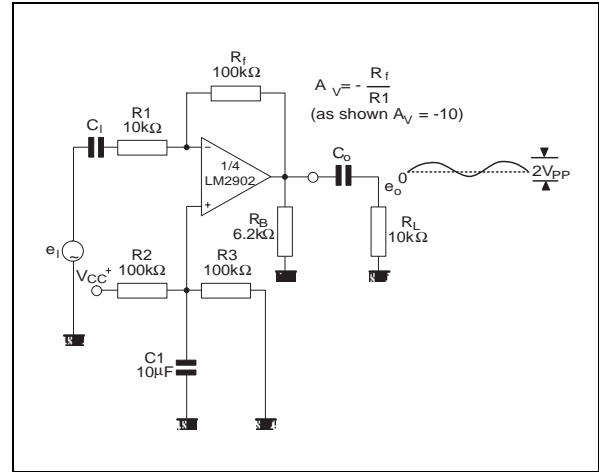
- $V_O = 1.4V, R_S = 0\Omega, 5V < V_{CC}^+ < 30V, 0V < V_{ic} < V_{CC}^+ - 1.5V$
- The direction of the input current is out of the IC. This current is essentially constant, independent of the state of the output, so no loading charge change exists on the input lines
- The input common-mode voltage of either input signal voltage should not be allowed to go negative by more than 0.3V. The upper end of the common-mode voltage range is $V_{CC}^+ - 1.5V$, but either or both inputs can go to +32V without damage.
- Due to the proximity of external components insure that coupling is not originating via stray capacitance between these external parts. This typically can be detected as this type of capacitance increases at higher frequencies.



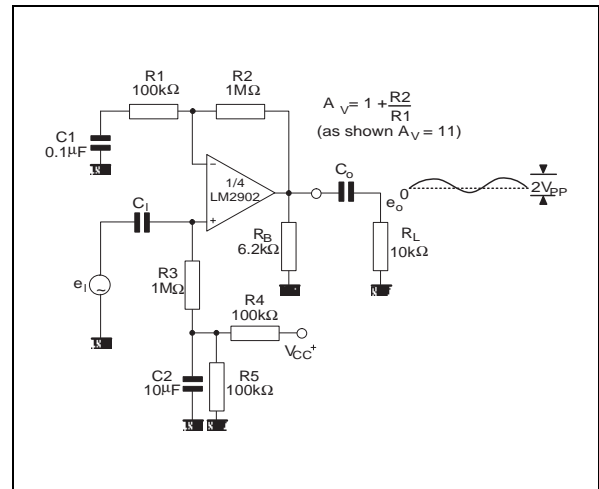




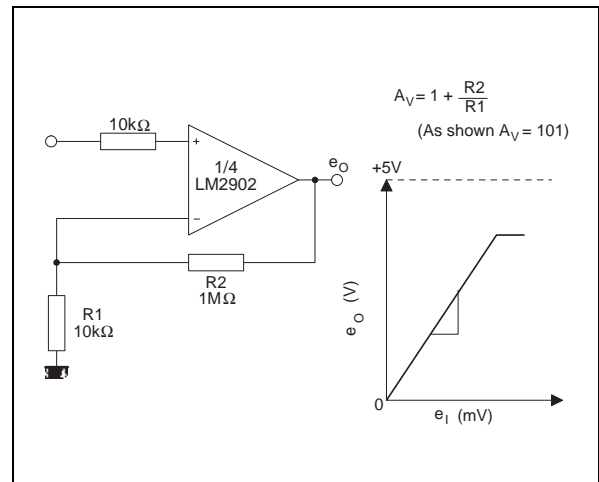
TYPICAL SINGLE - SUPPLY APPLICATIONS
AC COUPLED INVERTING AMPLIFIER



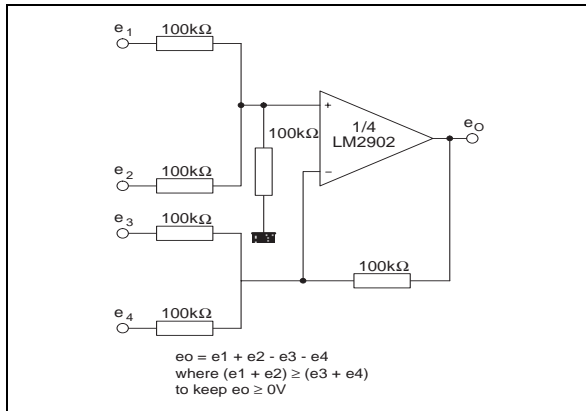
AC COUPLED NON-INVERTING AMPLIFIER



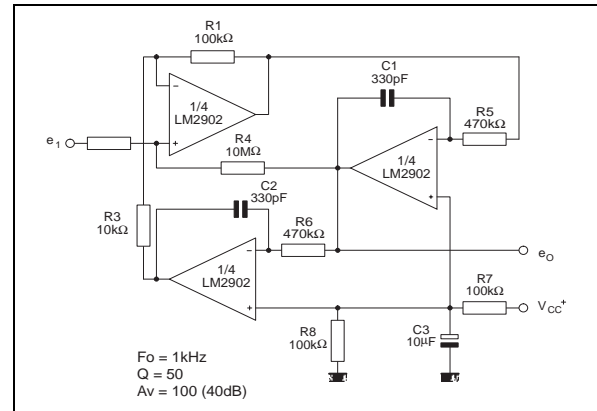
NON-INVERTING DC GAIN



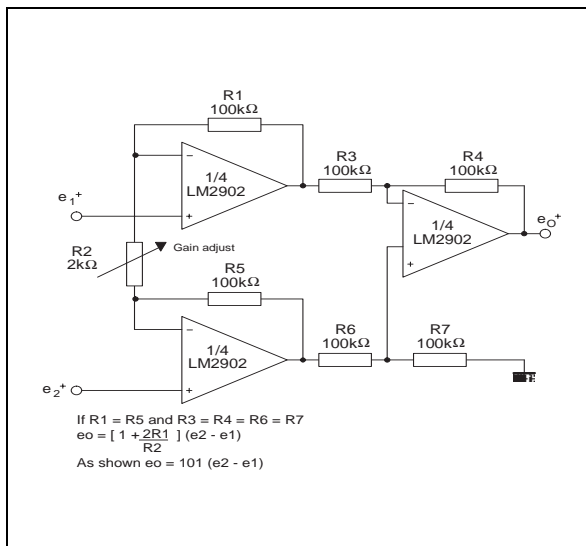
DC SUMMING AMPLIFIER



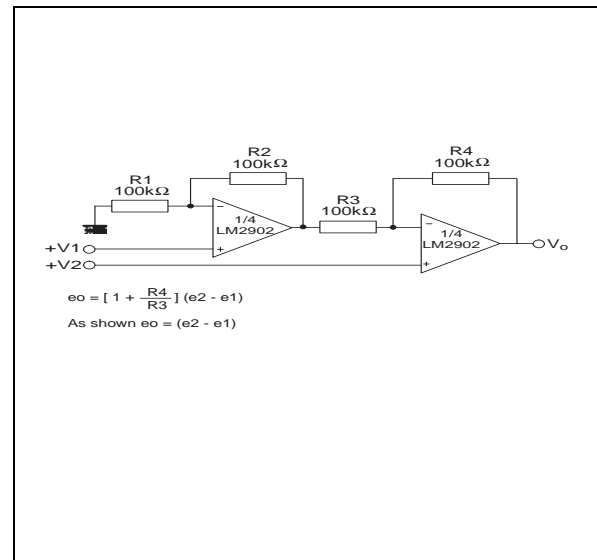
ACTIVER BANDPASS FILTER



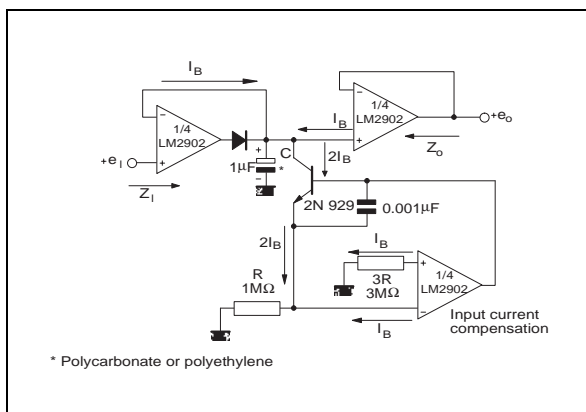
HIGH INPUT Z ADJUSTABLE GAIN DC INSTRUMENTATION AMPLIFIER



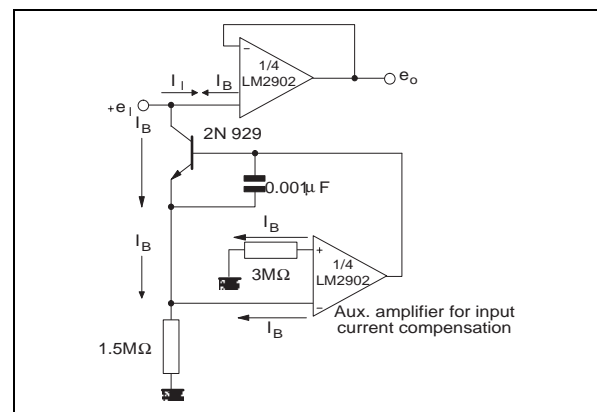
HIGH INPUT Z, DC DIFFERENTIAL AMPLIFIER



LOW DRIFT PEAK DETECTOR



USING SYMMETRICAL AMPLIFIERS TO REDUCE INPUT CURRENT (GENERAL CONCEPT)



MACROMODELS

** Standard Linear Ics Macromodels, 1993.

** CONNECTIONS :

- * 1 INVERTING INPUT
- * 2 NON-INVERTING INPUT
- * 3 OUTPUT
- * 4 POSITIVE POWER SUPPLY
- * 5 NEGATIVE POWER SUPPLY

.SUBCKT LM2902 1 3 2 4 5 (analog)

.MODEL MDTH D IS=1E-8 KF=3.104131E-15
CJO=10F

* INPUT STAGE

- CIP 2 5 1.000000E-12
- CIN 1 5 1.000000E-12
- EIP 10 5 2 5 1
- EIN 16 5 1 5 1
- RIP 10 11 2.600000E+01
- RIN 15 16 2.600000E+01
- RIS 11 15 2.003862E+02
- DIP 11 12 MDTH 400E-12
- DIN 15 14 MDTH 400E-12
- VOFP 12 13 DC 0
- VOFN 13 14 DC 0
- IPOL 13 5 1.000000E-05
- CPS 11 15 3.783376E-09
- DINN 17 13 MDTH 400E-12

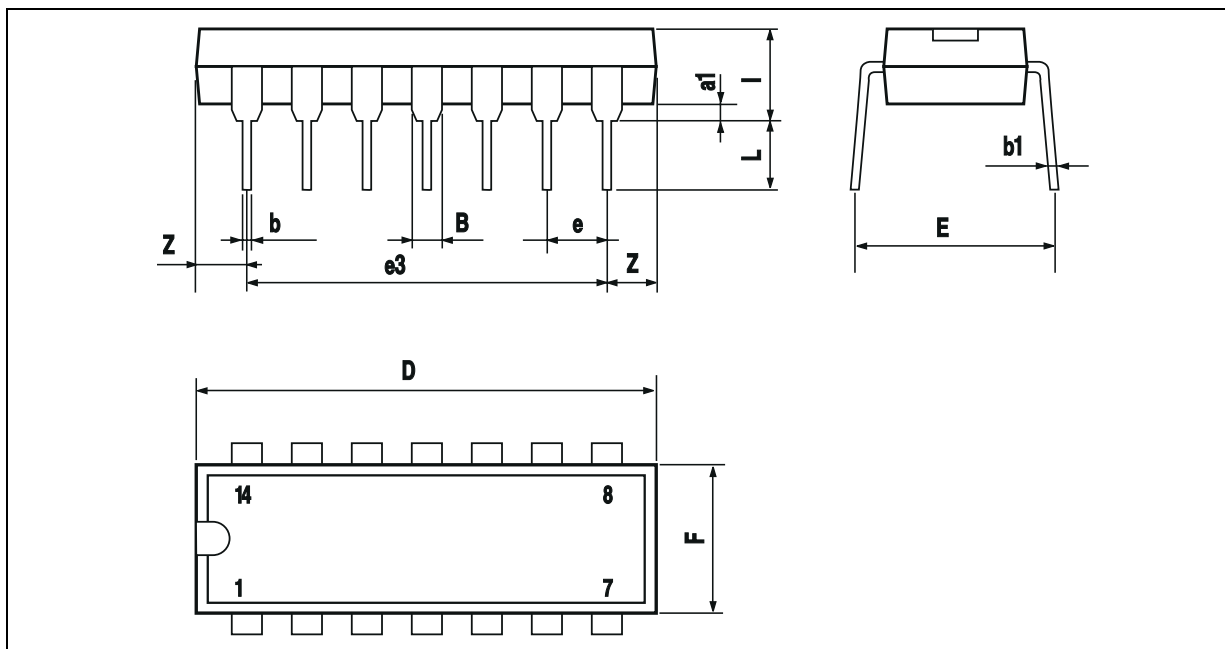
- VIN 17 5 0.000000e+00
- DINR 15 18 MDTH 400E-12
- VIP 4 18 2.000000E+00
- FCP 4 5 VOFP 3.400000E+01
- FCN 5 4 VOFN 3.400000E+01
- FIBP 2 5 VOFN 2.000000E-03
- FIBN 5 1 VOFP 2.000000E-03
- * AMPLIFYING STAGE
- FIP 5 19 VOFP 3.600000E+02
- FIN 5 19 VOFN 3.600000E+02
- RG1 19 5 3.652997E+06
- RG2 19 4 3.652997E+06
- CC 19 5 6.000000E-09
- DOPM 19 22 MDTH 400E-12
- DONM 21 19 MDTH 400E-12
- HOPM 22 28 VOUT 7.500000E+03
- VIPM 28 4 1.500000E+02
- HONM 21 27 VOUT 7.500000E+03
- VINM 5 27 1.500000E+02
- EOUT 26 23 19 5 1
- VOUT 23 5 0
- ROUT 26 3 20
- COUT 3 5 1.000000E-12
- DOP 19 25 MDTH 400E-12
- VOP 4 25 2.242230E+00
- DON 24 19 MDTH 400E-12
- VON 24 5 7.922301E-01
- .ENDS

ELECTRICAL CHARACTERISTICS

V_{CC}⁺ = 5V, V_{CC}⁻ = 0V, T_{amb} = 25°C (unless otherwise specified)

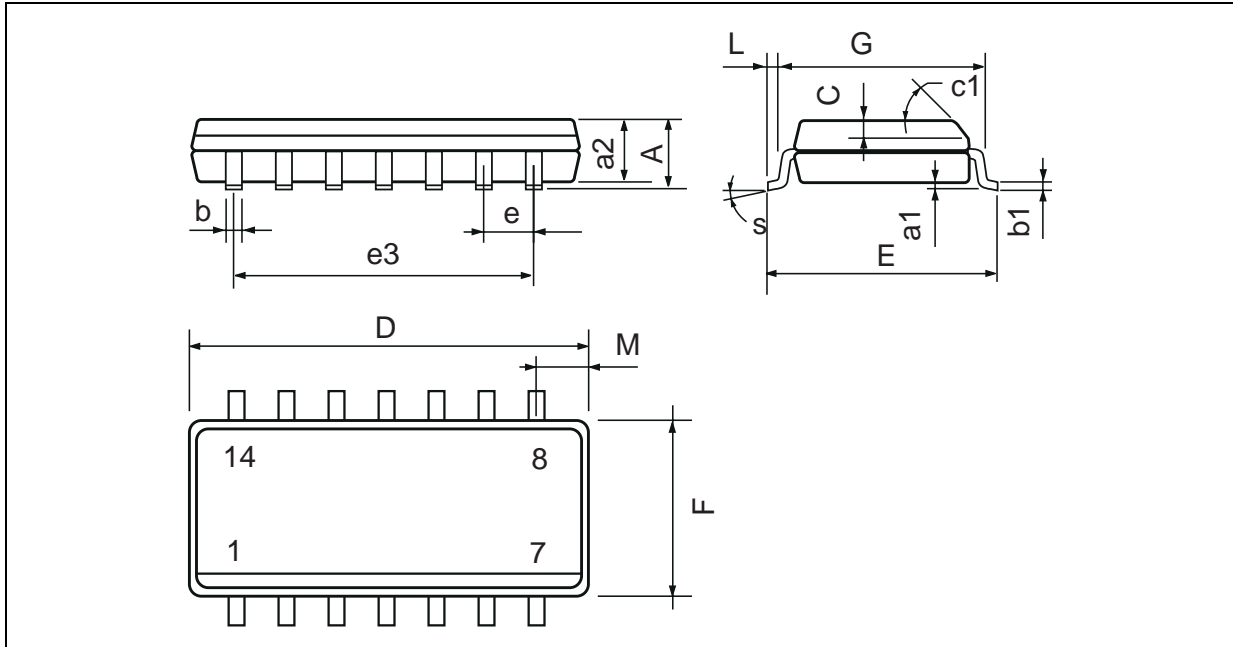
Symbol	Conditions	Value	Unit
V _{io}		0	mV
A _{vd}	R _L = 2kΩ	100	V/mV
I _{CC}	No load, per operator	350	μA
V _{icm}		-15 to +13.5	V
V _{OH}	R _L = 2kΩ (V _{CC} ⁺ = 15V)	+13.5	V
V _{OL}	R _L = 2kΩ	5	mV
I _{os}	V _O = +2V, V _{CC} = +15V	+40	mA
GBP	R _L = 2kΩ, C _L = 100pF	1.3	MHz
SR	R _L = 2kΩ, C _L = 100pF	0.4	V/μs

PACKAGE MECHANICAL DATA
14 PINS - PLASTIC DIP



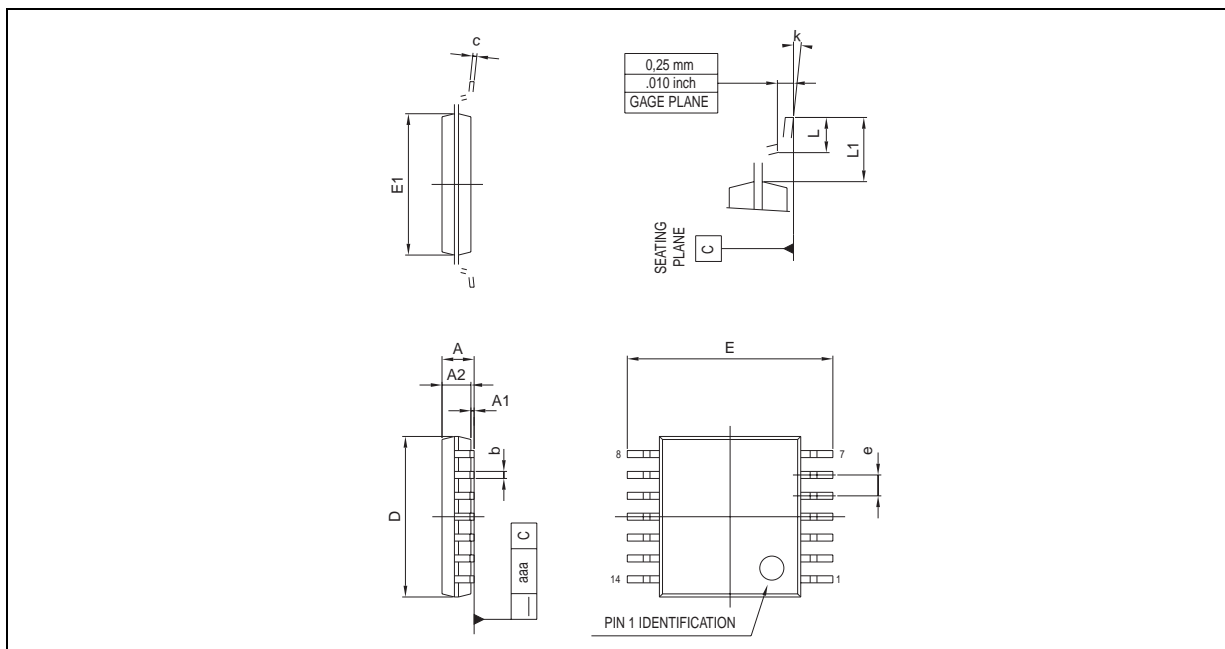
Dimensions	Millimeters			Inches		
	Min.	Typ.	Max.	Min.	Typ.	Max.
a1	0.51			0.020		
B	1.39		1.65	0.055		0.065
b		0.5			0.020	
b1		0.25			0.010	
D			20			0.787
E		8.5			0.335	
e		2.54			0.100	
e3		15.24			0.600	
F			7.1			0.280
i			5.1			0.201
L		3.3			0.130	
Z	1.27		2.54	0.050		0.100

PACKAGE MECHANICAL DATA
 14 PINS - PLASTIC MICROPACKAGE (SO)



Dimensions	Millimeters			Inches		
	Min.	Typ.	Max.	Min.	Typ.	Max.
A			1.75			0.069
a1	0.1		0.2	0.004		0.008
a2			1.6			0.063
b	0.35		0.46	0.014		0.018
b1	0.19		0.25	0.007		0.010
C		0.5			0.020	
c1	45° (typ.)					
D (1)	8.55		8.75	0.336		0.344
E	5.8		6.2	0.228		0.244
e		1.27			0.050	
e3		7.62			0.300	
F (1)	3.8		4.0	0.150		0.157
G	4.6		5.3	0.181		0.208
L	0.5		1.27	0.020		0.050
M			0.68			0.027
S	8° (max.)					

Note : (1) D and F do not include mold flash or protrusions - Mold flash or protrusions shall not exceed 0.15mm (.066 inc) ONLY FOR DATA BOOK.

PACKAGE MECHANICAL DATA**14 PINS -THIN SHRINK SMALL OUTLINE PACKAGE (TSSOP)**

Dimensions	Millimeters			Inches		
	Min.	Typ.	Max.	Min.	Typ.	Max.
A			1.20			0.05
A1	0.05		0.15	0.01		0.006
A2	0.80	1.00	1.05	0.031	0.039	0.041
b	0.19		0.30	0.007		0.15
c	0.09		0.20	0.003		0.012
D	4.90	5.00	5.10	0.192	0.196	0.20
E		6.40			0.252	
E1	4.30	4.40	4.50	0.169	0.173	0.177
e		0.65			0.025	
k	0°		8°	0°		8°
L	0.450	0.600	0.750	0.018	0.024	0.030
L1		1.00			0.039	
aaa			0.100			0.004

Information furnished is believed to be accurate and reliable. However, STMicroelectronics assumes no responsibility for the consequences of use of such information nor for any infringement of patents or other rights of third parties which may result from its use. No license is granted by implication or otherwise under any patent or patent rights of STMicroelectronics. Specifications mentioned in this publication are subject to change without notice. This publication supersedes and replaces all information previously supplied. STMicroelectronics products are not authorized for use as critical components in life support devices or systems without express written approval of STMicroelectronics.

© The ST logo is a registered trademark of STMicroelectronics

© 2001 STMicroelectronics - Printed in Italy - All Rights Reserved
STMicroelectronics GROUP OF COMPANIES

Australia - Brazil - Canada - China - Finland - France - Germany - Hong Kong - India - Israel - Italy - Japan - Malaysia
Malta - Morocco - Singapore - Spain - Sweden - Switzerland - United Kingdom - United States

© <http://www.st.com>

