

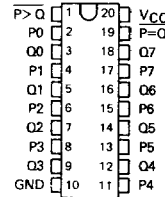
TYPES SN54LS682 THRU SN54LS689, SN74LS682 THRU SN74LS689 8-BIT MAGNITUDE/IDENTITY COMPARATORS

D2617, JANUARY 1981—REVISED DECEMBER 1983

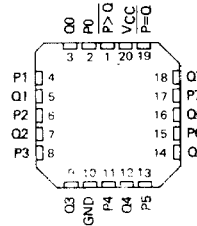
- Compares Two 8-Bit Words
- Choice of Totem-Pole or Open-Collector Outputs
- Hysteresis at P and Q Inputs
- 'LS682 and 'LS683 have 20-k Ω Pullup Resistors on the Q Inputs
- 'LS686 and 'LS687 . . . New JT and NT 24-Pin, 3000-Mil Packages

TYPE	P = Q	P > Q	OUTPUT ENABLE	OUTPUT CONFIGURATION	20-k Ω PULLUP
'LS682	yes	yes	no	totem-pole	yes
'LS683	yes	yes	no	open-collector	yes
'LS684	yes	yes	no	totem-pole	no
'LS685	yes	yes	no	open-collector	no
'LS686	yes	yes	yes	totem-pole	no
'LS687	yes	yes	yes	open-collector	no
'LS688	yes	no	yes	totem-pole	no
'LS689	yes	no	yes	open-collector	no

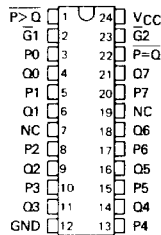
SN54LS682 THRU SN54LS685 . . . J PACKAGE
SN74LS682 THRU SN74LS685 . . . DW, J OR N PACKAGE
(TOP VIEW)



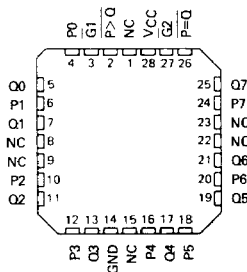
SN54LS682 THRU SN54LS685 . . . FK PACKAGE
SN74LS682 THRU SN74LS685 . . . FN PACKAGE
(TOP VIEW)



SN54LS686, SN54LS687 . . . JT PACKAGE
SN74LS686, SN74LS687 . . . DW, JT OR NT PACKAGE
(TOP VIEW)

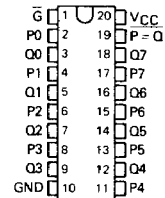


SN54LS686, SN54LS687 . . . FK PACKAGE
SN74LS686, SN74LS687 . . . FN PACKAGE
(TOP VIEW)

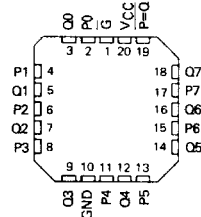


NC - No internal connection

SN54LS688, SN54LS689 . . . J PACKAGE
SN74LS688, SN74LS689 . . . DW, J OR N PACKAGE
(TOP VIEW)



SN54LS688, SN54LS689 . . . FK PACKAGE
SN74LS688, SN74LS689 . . . FN PACKAGE
(TOP VIEW)



3

TTL DEVICES

PRODUCTION DATA
This document contains information current as of publication date. Products conform to specifications per the terms of Texas Instruments standard warranty. Production processing does not necessarily include testing of all parameters.

**TEXAS
INSTRUMENTS**

POST OFFICE BOX 225012 • DALLAS, TEXAS 75265

3-1295

TYPES SN54LS682 THRU SN54LS689, SN74LS682 THRU SN74LS689 8-BIT MAGNITUDE/IDENTITY COMPARATORS

description

These magnitude comparators perform comparisons of two eight-bit binary or BCD words. All types provide $\overline{P = Q}$ outputs and the 'LS682 thru 'LS687 provide $\overline{P > Q}$ outputs as well. The 'LS682, 'LS684, 'LS686, and 'LS688 have totem-pole outputs, while the 'LS683, 'LS685, 'LS687, and 'LS689 have open-collector outputs. The 'LS682 and 'LS683 feature 20-k Ω pullup termination resistors on the Q inputs for analog or switch data.

FUNCTION TABLE

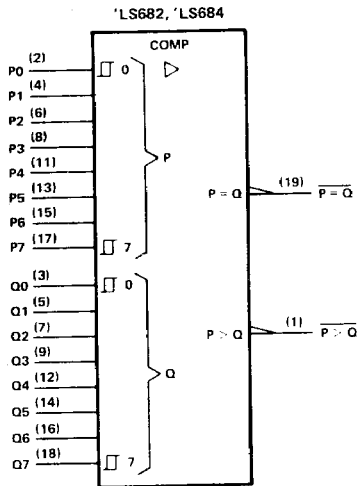
DATA P, Q	ENABLES		OUTPUTS	
	$\overline{G}, \overline{G1}$	$\overline{G2}$	$\overline{P = Q}$	$\overline{P > Q}$
P = Q	L	X	L	H
P > Q	X	L	H	L
P < Q	X	X	H	H
P = Q	H	X	H	H
P > Q	X	H	H	H
X	H	H	H	H

- NOTES: 1. The last three lines of the function table applies only to the devices having enable inputs, i.e., 'LS686 thru 'LS689.
2. The $\overline{P < Q}$ function can be generated by applying the $\overline{P = Q}$ and $\overline{P > Q}$ outputs to a 2-input NAND gate.
3. For 'LS686, 'LS687 G1 enables $\overline{P = Q}$, and G2 enables $\overline{P > Q}$.

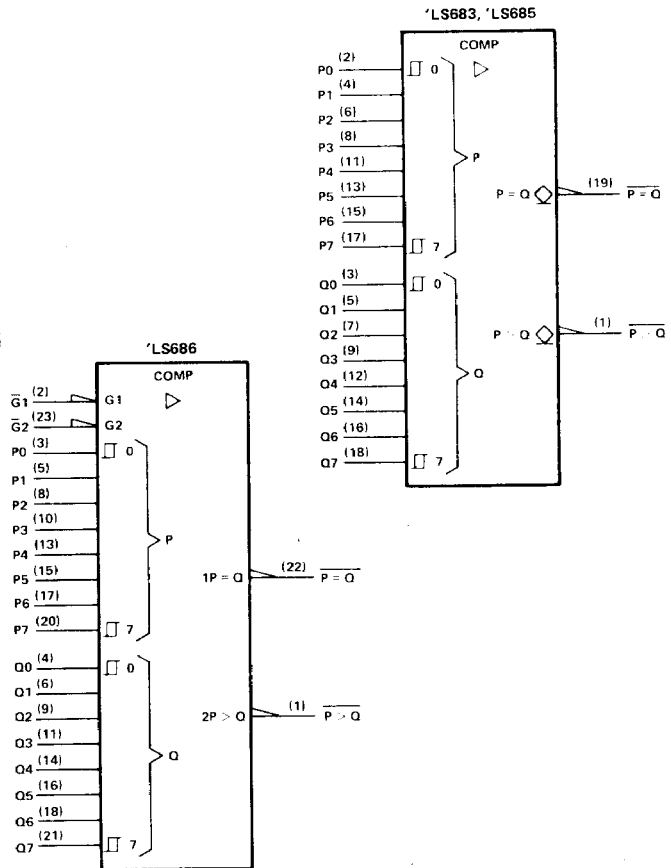
logic symbols

3

TTL DEVICES

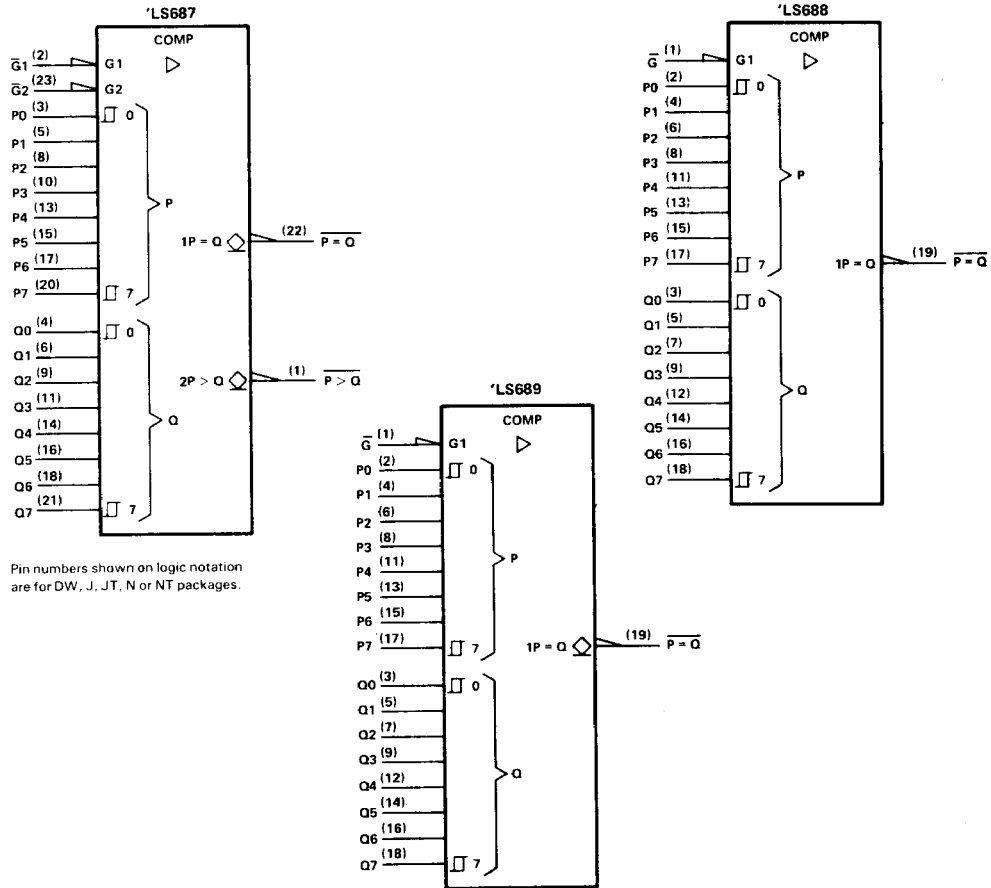


Pin numbers shown on logic notation are for DW, J, JT, N or NT packages.



TYPES SN54LS682 THRU SN54LS689,
SN74LS682 THRU SN74LS689
8-BIT MAGNITUDE/IDENTITY COMPARATORS

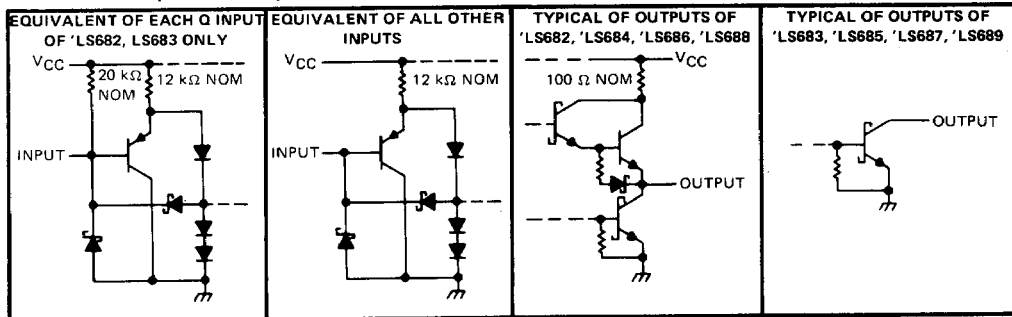
logic symbols (continued)



3

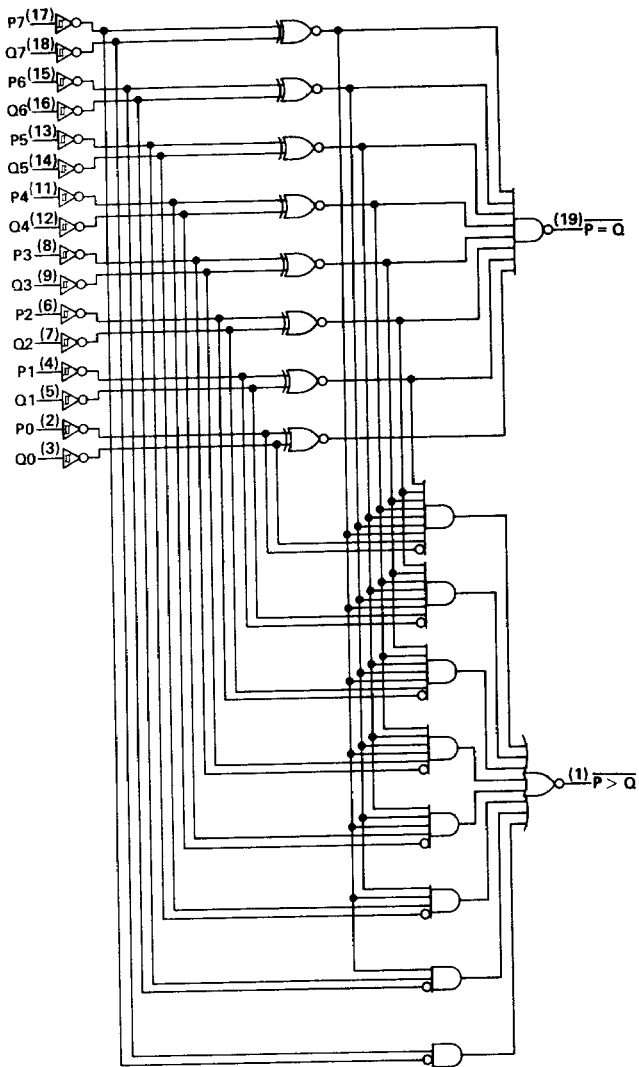
TTL DEVICES

schematics of inputs and outputs



**TYPES SN54LS682 THRU SN54LS685
SN74LS682 THRU SN74LS685
8-BIT MAGNITUDE/IDENTITY COMPARATORS**

'LS682 thru 'LS685 logic diagram (positive logic)



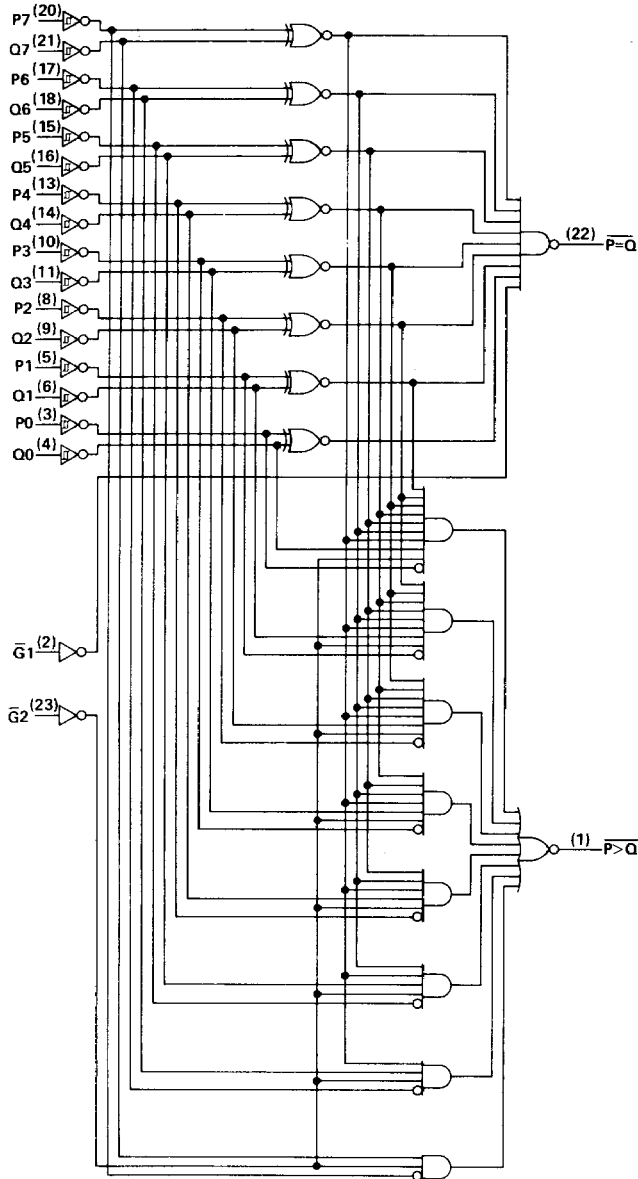
Pin numbers shown on logic notation are for DW, J or N packages



TTL DEVICES

TYPES SN54LS686, SN54LS687
 SN74LS686, SN74LS687
 8-BIT MAGNITUDE/IDENTITY COMPARATORS

'LS686, 'LS687 logic diagram (positive logic)

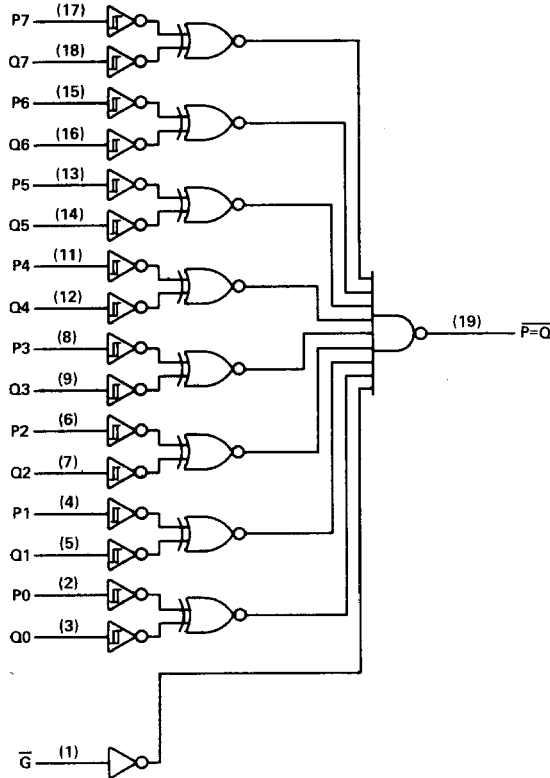


Pin numbers shown on logic notation are for DW, JT, or NT packages.

3
 TTL DEVICES

**TYPES SN54LS688, SN54LS689,
SN74LS688, SN74LS689
8-BIT IDENTITY COMPARATORS**

'LS688, 'LS689 logic diagram (positive logic)



Pin numbers shown on logic notation are for DW, J or N packages.

**3
TTL DEVICES**

absolute maximum ratings over operating free-air temperature range (unless otherwise noted)

Supply voltage (see Note 1)	7 V
Input voltage: Q inputs of 'LS682 and 'LS683	5.5 V
All other inputs	7 V
Off-state output voltage: 'LS683, 'LS685, 'LS687, 'LS689	7 V
Operating free-air temperature range: SN54LS682 thru SN54LS689	-55°C to 125°C
SN74LS682 thru SN74LS689	0°C to 70°C
Storage temperature range	-65°C to 150°C

NOTE 1: Voltage values are with respect to network ground terminal.

**TYPES SN54LS682, SN54LS684, SN54LS686, SN54LS688,
SN74LS682, SN74LS684, SN74LS686, SN74LS688
8-BIT MAGNITUDE/IDENTITY COMPARATORS WITH TOTEM-POLE OUTPUTS**

'LS682, 'LS684, 'LS686, 'LS688

recommended operating conditions

	SN54LS'			SN74LS'			UNIT
	MIN	NOM	MAX	MIN	NOM	MAX	
Supply voltage, V_{CC}	4.5	5	5.5	4.75	5	5.25	V
High-level output current, I_{OH}	-400			-400			μ A
Low-level output current, I_{OL}	12			24			mA
Operating free-air temperature, T_A	-55			125			$^{\circ}$ C

electrical characteristics over recommended operating free-air temperature range (unless otherwise noted)

PARAMETER	TEST CONDITIONS†	SN54LS'			SN74LS'			UNIT
		MIN	TYP‡	MAX	MIN	TYP‡	MAX	
V_{IH}	High-level input voltage	2			2			V
V_{IL}	Low-level input voltage	0.7			0.8			V
$V_{T+} - V_{T-}$	Hysteresis P or Q inputs	0.4			0.4			V
V_{IK}	Input clamp voltage	-1.5			-1.5			V
V_{OH}	High-level output voltage	2.5			2.7			V
V_{OL}	Low-level output voltage	$I_{OL} = 12$ mA		0.25		0.4		V
		$I_{OL} = 24$ mA		0.35		0.5		
I_i	Input current at maximum input voltage	$V_1 = 5.5$ V		0.1				mA
		$V_1 = 7$ V						
I_{IH}	High-level input current	20			20			μ A
I_{IL}	Low-level input current	-0.4			-0.4			mA
		-0.2			-0.2			
$I_{OS} §$	Short-circuit output current	-20			-100			mA
I_{CC}	Supply current	'LS682		42		70		mA
		'LS684		40		65		
		'LS686		44		75		
		'LS688		40		65		

† All typical values are at $V_{CC} = 5$ V, $T_A = 25^{\circ}$ C.

§ Not more than one output should be shorted at a time, and duration of the short-circuit should not exceed one second.

NOTE 2: I_{CC} is measured with any \bar{G} inputs grounded, all other inputs at 4.5 V, and all outputs open.

switching characteristics, $V_{CC} = 5$ V, $T_A = 25^{\circ}$ C

PARAMETER#	FROM (INPUTS)	TO (OUTPUT)	TEST CONDITIONS	'LS682		'LS684		'LS686		'LS688		UNIT
				MIN	TYP	MAX	MIN	TYP	MAX	MIN	TYP	
t_{PLH}	P	$\bar{P} = \bar{Q}$	$R_L = 667 \Omega$, $C_L = 45$ pF, All other inputs low, See Note 3	13		15		13		18		ns
				25		25		20		30		
t_{PLH}	Q	$\bar{P} = \bar{Q}$		14		16		13		18		ns
				25		25		21		30		
t_{PHL}	$\bar{G}, \bar{G}1$	$\bar{P} = \bar{Q}$		11		11		20		12		ns
				20		30		19		30		
t_{PLH}	P	$\bar{P} > \bar{Q}$		20		22		19		30		ns
				30		30		15		30		
t_{PHL}	Q	$\bar{P} > \bar{Q}$		21		24		18		30		ns
				30		30		19		30		
t_{PLH}	$\bar{G}2$	$\bar{P} > \bar{Q}$	21		21		30		30		ns	
			25		25		16		25			

t_{PLH} \equiv propagation delay time, low-to-high-level outputs; t_{PHL} \equiv propagation delay time, high-to-low-level output.

NOTE 3: See General Information Section for load circuits and voltage waveforms.

3
TTL DEVICES



**TYPES SN54LS683, SN54LS685, SN54LS687, SN54LS689,
SN74LS683, SN74LS685, SN74LS687, SN74LS689
8-BIT MAGNITUDE/IDENTITY COMPARATORS WITH OPEN-COLLECTOR OUTPUTS**

recommended operating conditions 'LS683, 'LS685, 'LS687, 'LS689

	SN54LS'			SN74LS'			UNIT
	MIN	NOM	MAX	MIN	NOM	MAX	
Supply voltage, V_{CC}	4.5	5	5.5	4.75	5	5.25	V
High-level output voltage, V_{OH}	5.5			5.5			V
Low-level output current, I_{OL}	12			24			mA
Operating free-air temperature, T_A	-55	125		0	70		°C

electrical characteristics over recommended operating free-air temperature range (unless otherwise noted)

PARAMETER	TEST CONDITIONS†	SN54LS'			SN74LS'			UNIT	
		MIN	TYP‡	MAX	MIN	TYP‡	MAX		
V_{IH} High-level input voltage		2			2			V	
V_{IL} Low-level input voltage		0.7			0.8			V	
$V_{T+} - V_{T-}$ Hysteresis P or Q inputs	$V_{CC} = \text{MIN}$	0.4			0.4			V	
V_{IK} Input clamp voltage	$V_{CC} = \text{MIN}$, $I_I = -18 \text{ mA}$	-1.5			-1.5			V	
I_{OH} High-level output voltage	$V_{CC} = \text{MIN}$, $V_{IH} = 2 \text{ V}$, $V_{IL} = V_{IL\text{max}}$, $V_{OH} = 5.5 \text{ V}$	250			100			μA	
V_{OL} Low-level output voltage	$V_{CC} = \text{MIN}$, $V_{IH} = 2 \text{ V}$, $V_{IL} = V_{IL\text{max}}$	$I_{OL} = 12 \text{ mA}$	0.25	0.4	0.25	0.4	V		
		$I_{OL} = 24 \text{ mA}$			0.35	0.5			
I_I Input current at maximum input voltage	Q inputs, 'LS683	$V_{CC} = \text{MAX}$, $V_I = 5.5 \text{ V}$	0.1			0.1			mA
	All other inputs	$V_{CC} = \text{MAX}$, $V_I = 7 \text{ V}$							
I_{IH} High-level input current	$V_{CC} = \text{MAX}$, $V_I = 2.7 \text{ V}$	20			20			μA	
I_{IL} Low-level input current	Q inputs, 'LS683	$V_{CC} = \text{MAX}$, $V_I = 0.4 \text{ V}$	-0.4			-0.4			mA
	All other inputs		-0.2			-0.2			
I_{CC} Supply current	'LS683	$V_{CC} = \text{MAX}$, See Note 2	42	70	42	70	mA		
	'LS685		40	65	40	65			
	'LS687		44	75	44	75			
	'LS689		40	65	40	65			

† For conditions shown as MIN or MAX, use the appropriate value specified under recommended operating conditions.

‡ All typical values are at $V_{CC} = 5 \text{ V}$, $T_A = 25^\circ \text{C}$.

NOTE 2: I_{CC} is measured with any \bar{G} inputs grounded, all other inputs at 4.5 V, and all outputs open.

switching characteristics, $V_{CC} = 5 \text{ V}$, $T_A = 25^\circ \text{C}$

PARAMETER†	FROM (INPUTS)	TO (OUTPUT)	TEST CONDITIONS	'LS683		'LS685		'LS687		'LS689		UNIT
				MIN	TYP MAX	MIN	TYP MAX	MIN	TYP MAX	MIN	TYP MAX	
t_{PLH}	P	$\bar{P} = \bar{Q}$	$R_L = 667 \Omega$, $C_L = 45 \text{ pF}$, All other inputs low, See Note 3	30	45	30	45	24	35	24	40	ns
t_{PHL}				20	30	19	35	20	30	22	35	
t_{PLH}	Q	$\bar{P} = \bar{Q}$		24	35	24	45	24	35	24	40	ns
t_{PHL}				23	35	23	35	20	30	22	35	
t_{PLH}	$\bar{G}, \bar{G}1$	$\bar{P} = \bar{Q}$						21	35	22	35	ns
t_{PHL}							18	30	19	30		
t_{PLH}	P	$\bar{P} > \bar{Q}$		31	45	32	45	24	35			ns
t_{PHL}				17	30	16	35	16	30			
t_{PLH}	Q	$\bar{P} > \bar{Q}$		30	45	30	45	24	35			ns
t_{PHL}				21	30	20	35	16	30			
t_{PLH}	$\bar{G}2$	$\bar{P} > \bar{Q}$						24	35			ns
t_{PHL}							15	30				

† t_{PLH} = propagation delay time, low-to-high-level output; t_{PHL} = propagation delay time, high-to-low-level output.

NOTE 3: See General Information Section for load circuits and voltage waveforms.

3

TTL DEVICES