

1 PRODUCT OVERVIEW

SAM8 PRODUCT FAMILY

Samsung's SAM8 family of 8-bit single-chip CMOS microcontrollers offers a fast and efficient CPU with a wide range of integrated peripherals, in various mask-programmable ROM sizes. Analog its major CPU features are:

- Efficient register-oriented architecture
- Selectable CPU clock sources
- Idle and Stop power-down mode release by interrupt
- Built-in basic timer with watchdog function

The sophisticated interrupt structure recognizes up to eight interrupt levels. Each level can have one or more interrupt sources and vectors. Fast interrupt processing (within a minimum of four CPU clocks) can be assigned to specific interrupt levels.

S3C8639/C863A/P863A MICROCONTROLLERS

S3C8639/C863A/P863A single-chip 8-bit microcontrollers are based on the powerful SAM8 CPU architecture. The internal register file is logically expanded to increase the on-chip register space. S3C8639/C863A/P863A contain 32/48 Kbytes of on-chip program ROM.

In line with Samsung's modular design approach, the following peripherals are integrated with the SAM8 core:

- Four programmable I/O ports (total 27 pins)
- One 8-bit basic timer for oscillation stabilization and watchdog functions
- One 8-bit general-purpose timer/counter with selectable clock sources
- One interval timer
- One 12-bit counter with selectable clock sources, including Hsync or Csync input
- PWM block with seven 8-bit PWM circuits
- Sync processor block (for Vsync and Hsync I/O, Csync input, and Clamp signal output)
- DDC Multi-master and slave-only IIC-Bus
- 4-channel A/D converter (8-bit resolution)

S3C8639/C863A/P863A are a versatile microcontrollers which are ideal for use in multi-sync monitors or in general-purpose applications that require sophisticated timer/counter, PWM, sync signal processing, A/D converter, and multi-master IIC-bus support with DDC. They are available in a 42-pin SDIP or a 44-pin QFP package.

OTP

S3C8639/C863A microcontrollers are also available in OTP (One Time Programmable) version named, S3P863A. S3P863A microcontroller has an on-chip 48-Kbyte one-time-programmable EPROM instead of masked ROM. S3P863A is comparable to S3C8639/C863A, both in function and pin configuration except its ROM size.

S3C8647/F8647 MICROCONTROLLERS

S3C8647/F8647 single-chip 8-bit microcontrollers are based on the powerful SAM8 CPU architecture. The internal register file is logically expanded to increase the on-chip register space.

S3C8647/F8647 contain 24 Kbytes of on-chip program ROM.

In line with Samsung's modular design approach, the following peripherals are integrated with the SAM8 core:

- Three programmable I/O ports (total 19 pins)
- One 8-bit basic timer for oscillation stabilization and watchdog functions
- One 8-bit general-purpose timer/counter with selectable clock sources
- One interval timer

- One 12-bit counter with selectable clock sources, including Hsync or Csync input
- PWM block with six 8-bit PWM circuits
- Sync processor block (for Vsync and Hsync I/O, Csync input, and Clamp signal output)
- DDC Multi-master IIC-Bus
- 4-channel A/D converter (4-bit resolution)

S3C8647/F8647 are a versatile microcontrollers which are ideal for use in multi-sync monitors or in general-purpose applications that require sophisticated timer/counter, PWM, sync signal processing, A/D converter, and multi-master IIC-bus support with DDC. They are available in a 32-pin SDIP/SOP package.

FLASH

S3C8647 microcontroller is also available in Flash version named, S3F8647. S3F8647 microcontroller has an on-chip 24-Kbyte flash cells instead of masked ROM. S3F8647 is comparable to S3C8647, both in function and pin configuration.

FEATURES

CPU

- SAM88RC CPU core

Memory

- S3C8639: 32-Kbyte program memory (ROM)
S3C863A: 48-Kbyte program memory (ROM)
S3C8647: 24-Kbyte program memory (ROM)
- S3C8639: 784-byte general-purpose register area
S3C863A: 1040-byte general-purpose register area
S3C8647: 400-byte general-purpose register area

Instruction Set

- 78 instructions
- IDLE and STOP instructions added for power-down modes

Instruction Execution Time

- Minimum 333 ns (with 12 MHz CPU clock)

Interrupts

- Ten (nine)* interrupt sources/vectors (S3C8647)*
- Eight (seven)* interrupt level (S3C8647)*
- Fast interrupt feature

General I/O

- S3C863X: four I/O ports (total 27pins)
S3C8647: three I/O ports (total 19pins)

8-Bit Basic Timer

- Programmable timer for oscillation stabilization interval control or watchdog timer function
- Three selective internal clock frequencies

Timer/Counters

- One 8-bit Timer/Counter with several clock sources (Capture mode)
- One 12-bit Counter with H-/C-sync and several clock sources
- One Interval Timer

Low Voltage Detector (LVD & POR)

Pulse Width Modulator (PWM)

- 8-bit PWM: 7(6)*-Ch (S3C8647)*
(6-bit basic frame with 2-bit extension)

Sync-Processor Block

- Vsync-I, Hsync-I, Csync-I input and Vsync-O, Hsync-O, Clamp-O output pins
- Programmable Pseudo sync signal generation
- Auto SOG detection
- Auto H-/V-sync polarity detection
- Composite sync detection

DDC Multi-Master IIC-Bus 1-Ch

- Serial Peripheral Interface
- Support for Display Data Channel (DDC1/DDC2B/DDC2Bi/DDC2B+)

Slave Only IIC-Bus 1-Ch (Only S3C863X)

- Serial Peripheral Interface

A/D Converter

- 4-channel; 8(4)*-bit resolution (S3C8647)*

Oscillator Frequency

- 8 MHz to 12 MHz crystal operation
- Internal Max. 12 MHz CPU clock

Operating Temperature Range

- -40 °C to +85 °C

Operating Voltage Range

- 3.0(4.0)* V to 5.5 V (S3C8647)*

Package Types

- S3C863X: 42-pin SDIP, 44-pin QFP
S3C8647: 32-pin SDIP, 32-pin SOP

BLOCK DIAGRAM

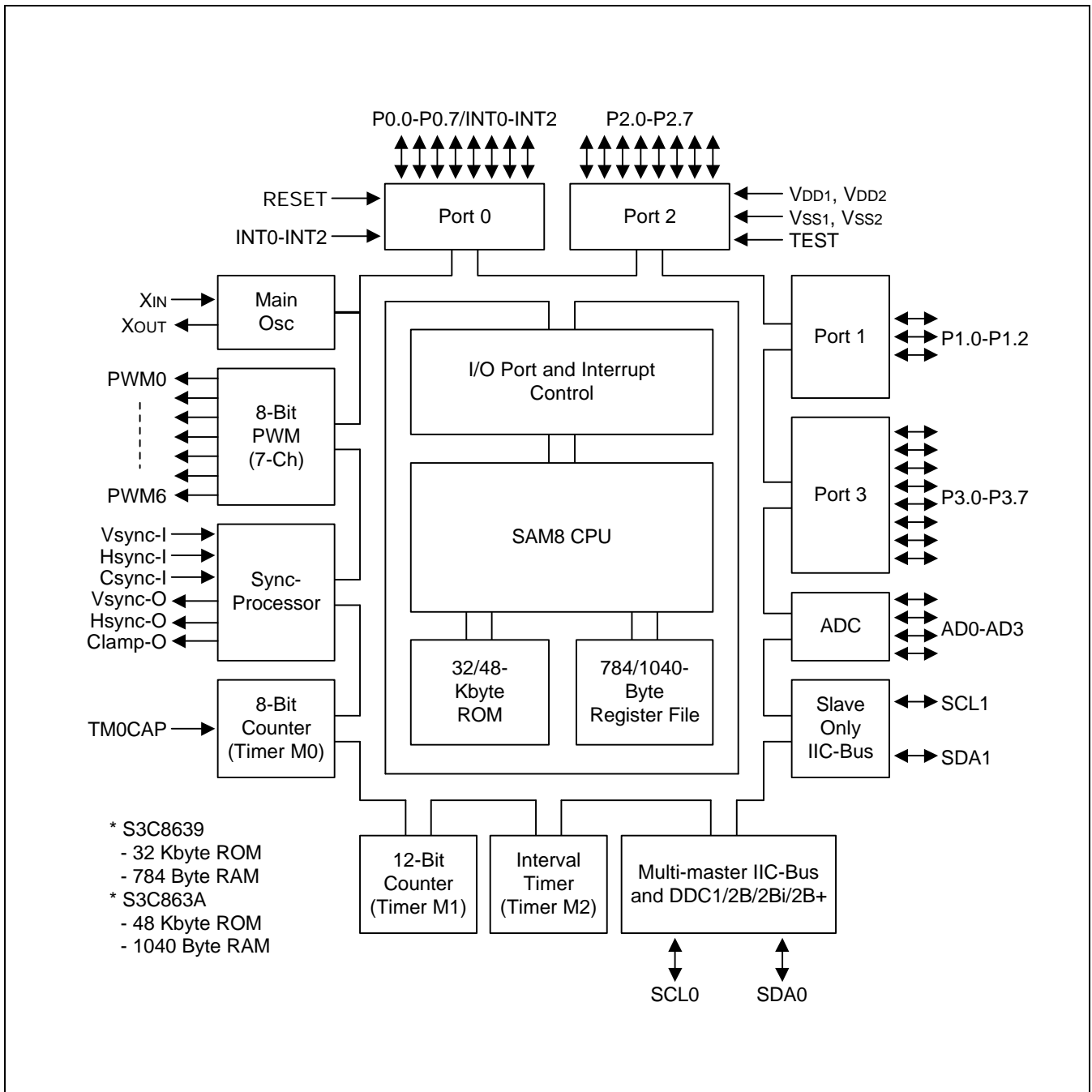


Figure 1-1. Block Diagram (S3C863X)

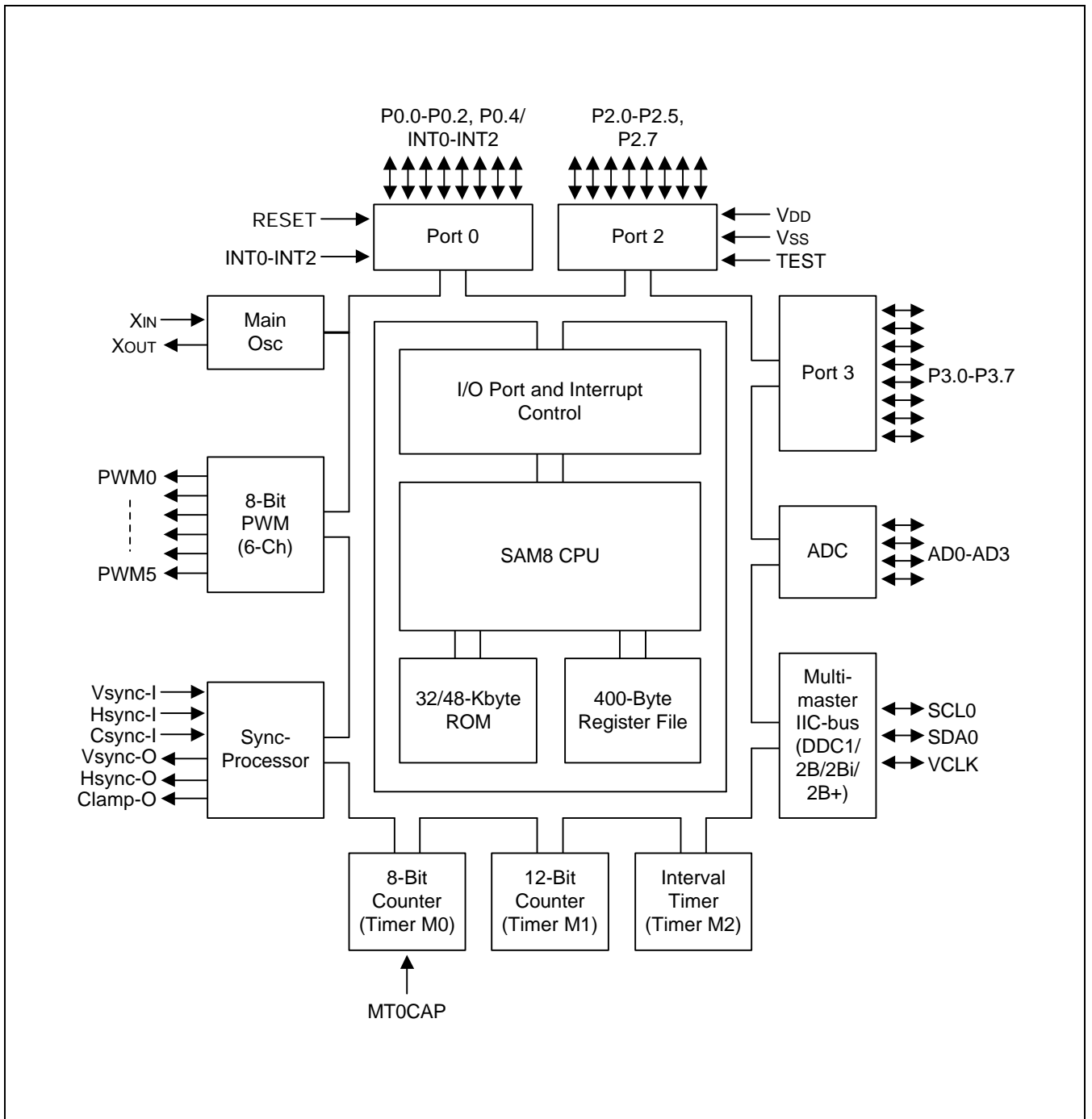


Figure 1-2. Block Diagram (S3C8647)

PIN ASSIGNMENTS

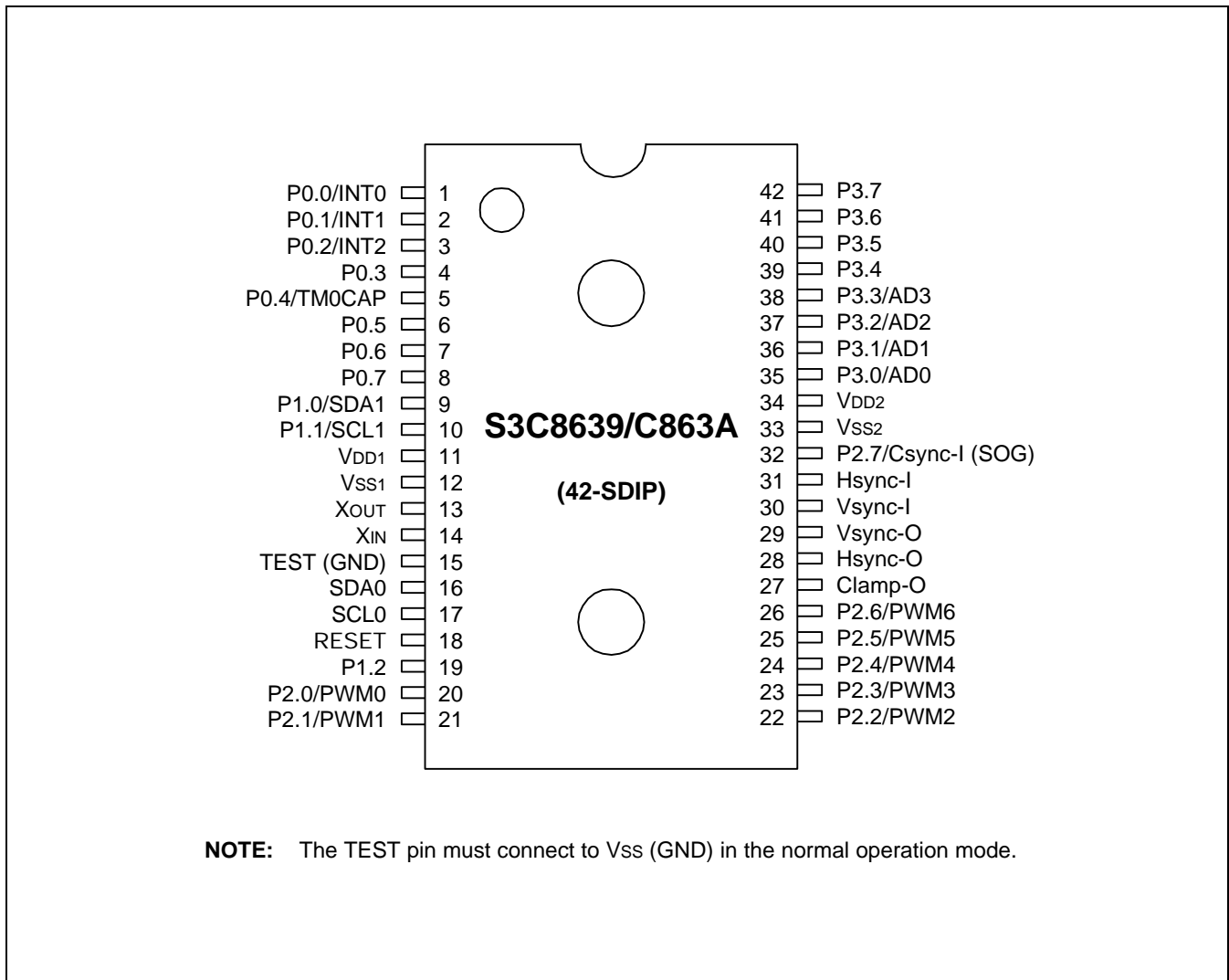
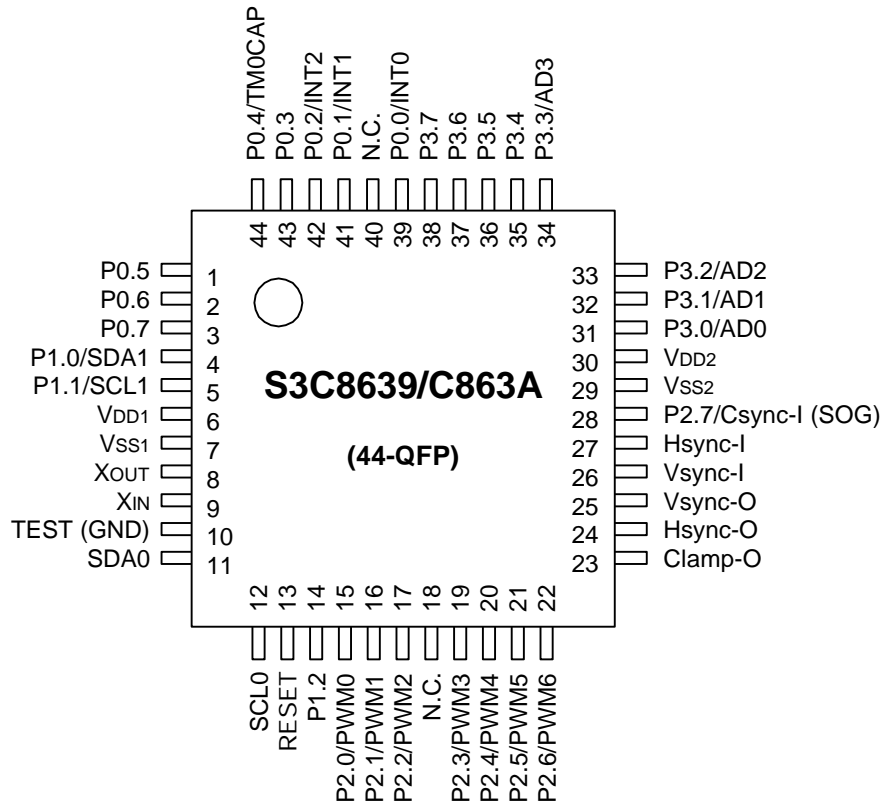


Figure 1-3. S3C8639/C863A Pin Assignment (42-SDIP)



NOTE: The TEST pin must connect to Vss (GND) in the normal operation mode.

Figure 1-4. S3C8639/C863A Pin Assignment (44-QFP)

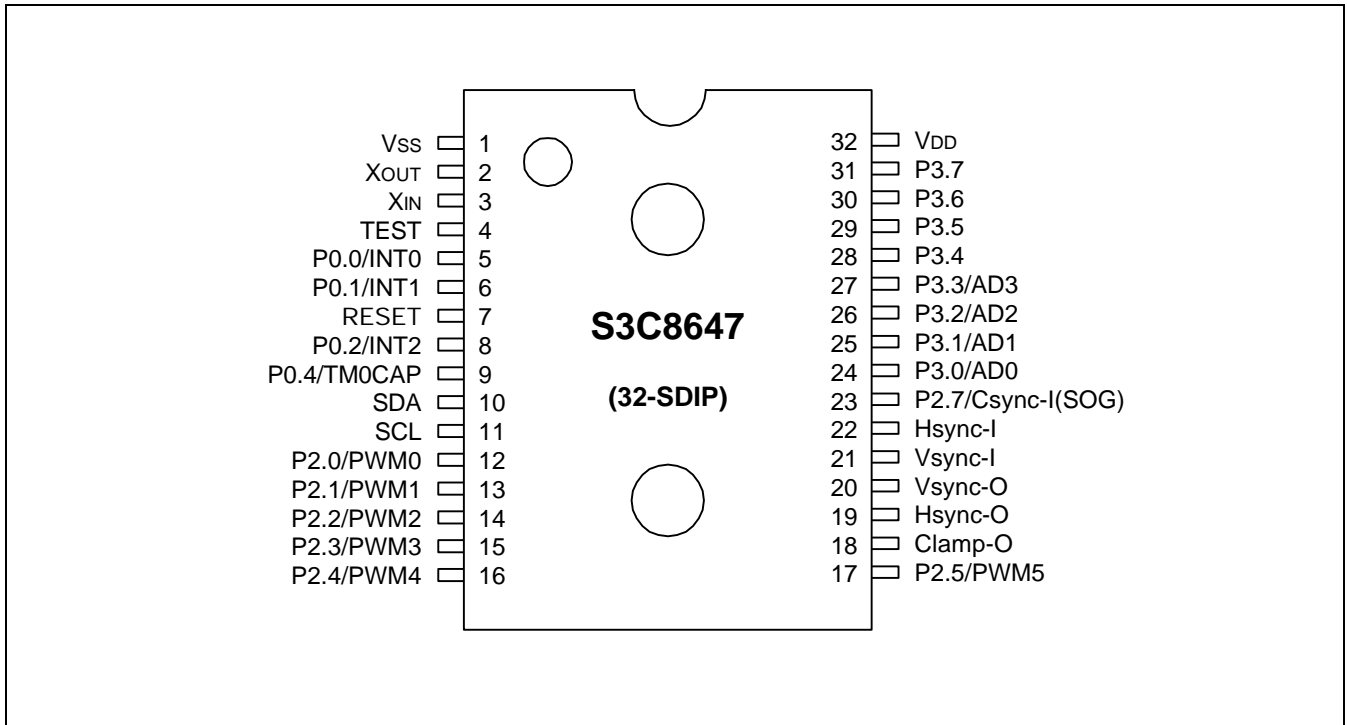


Figure 1-5. S3C8647 Pin Assignment (32-SDIP)

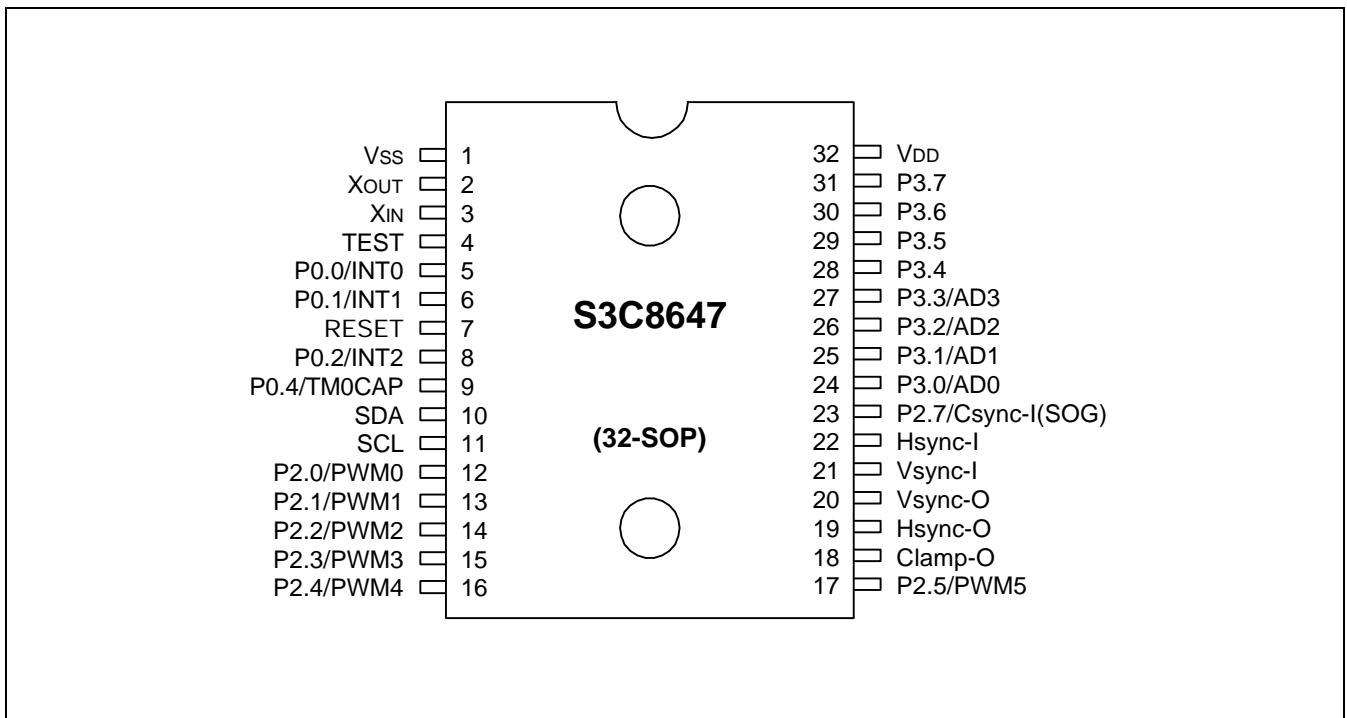


Figure 1-6. S3C8647 Pin Assignment (32-SOP)

PIN DESCRIPTIONS

Table 1-1. S3C8639/C863A Pin Descriptions

Pin Names	Pin Type	Pin Description	Circuit Type	SDIP Pin Numbers	Shared Functions
P0.0 P0.1 P0.2 P0.3 (note) P0.4 P0.5 (note) P0.6 (note) P0.7 (note)	I/O	General-purpose, 8-bit I/O port. Shared functions include three external interrupt inputs and I/O for timer M0. Selective configuration of port 0 pins to input or output mode is supported.	D-1 D-1 D-1 D-1 D-1 D-1 D-1	1 2 3 4 5 6 7 8	INT0 INT1 INT2 TMOCAP
P1.0 (note) P1.1 (note) P1.2 (note)	I/O	General-purpose, 8-bit I/O port. Selective configuration is available for port 1 pins to input, push-pull output, n-channel open-drain mode, or IIC-bus clock and data I/O.	E-1 E-1 E-1	9 10 19	SDA1 SCL1
P2.0 P2.1 P2.2 P2.3 P2.4 P2.5 P2.6 (note) P2.7	I/O	General-purpose, 8-bit I/O port Selective configuration of port 2 pins to input or output mode is supported. The port 2 pin circuits are designed to push-pull PWM output and Csync (SOG) signal input.	D-1 D-1 D-1 D-1 E-1 E-1 E-1 D-1	20 21 22 23 24 25 26 32	PWM0 PWM1 PWM2 PWM3 PWM4 PWM5 PWM6 Csync-I
P3.0–P3.3 P3.4–P3.7	I/O	General-purpose, 8-bit I/O port Selective configuration port 3 pins to input or output mode is supported. Multiplexed for alternative use as A/D converter inputs AD0–AD3.	E-1 E	35–38 39–42	AD0–AD3
Hsync-I Vsync-I Clamp-O Hsync-O Vsync-O SDA0 SCL0	I I O O O I/O I/O	The pins are sync processor signal I/O and IIC-bus clock and data I/O.	A-3 A-3 A A A G-3 G-3	31 30 27 28 29 16 17	–
V _{DD1} , V _{SS1} (note), V _{DD2} , V _{SS2} (note)	–	Power pins	– –	11, 12 34, 33	–
X _{IN} , X _{OUT}	–	System clock I/O pins	–	14, 13	–
RESET	I	System RESET pin	B	18	–
TEST	I	Factory test pin input 0 V: Normal operation , 5 V: Factory test mode	–	15	–

NOTE: Not used in S3C8647.

PIN CIRCUITS DIAGRAM

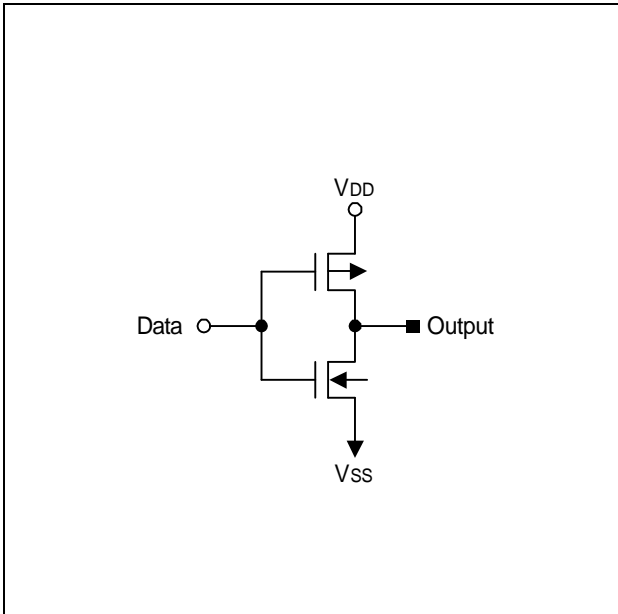


Figure 1-7. Pin Circuit Type A

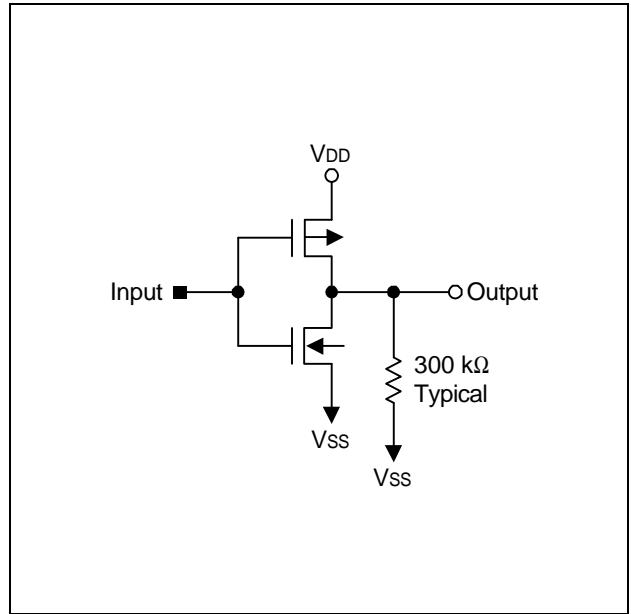


Figure 1-8. Pin Circuit Type A-3

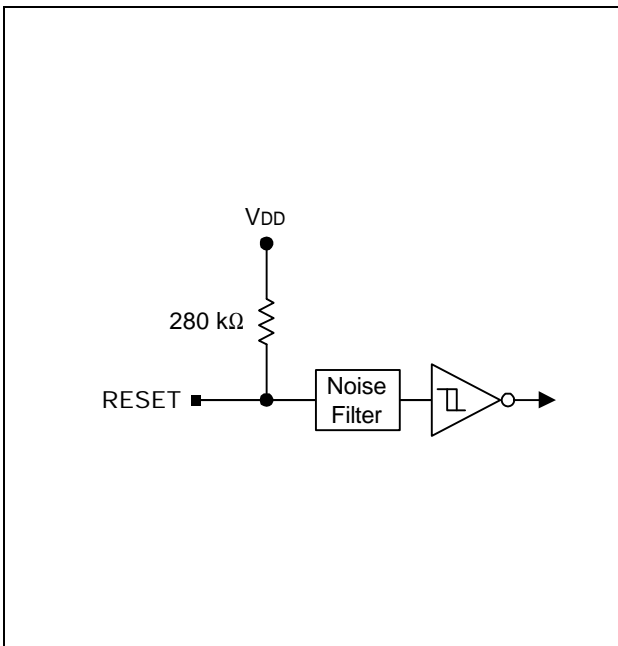


Figure 1-9. Pin Circuit Type B (RESET)

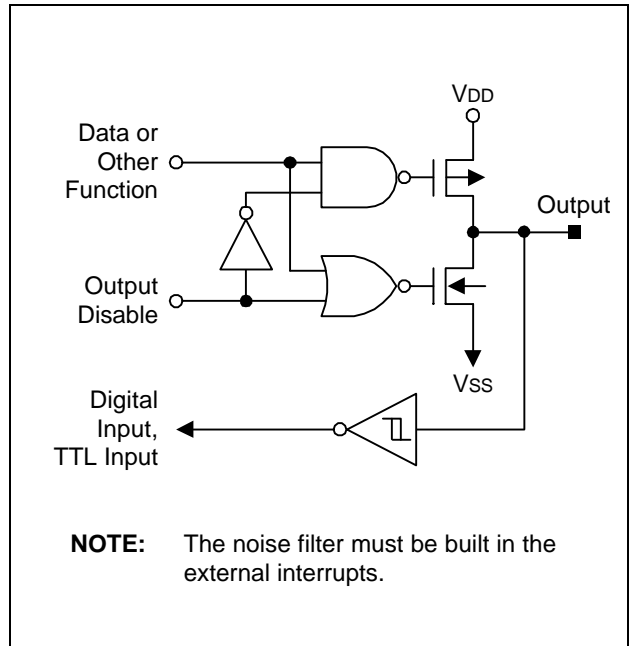


Figure 1-10. Pin Circuit Type D-1

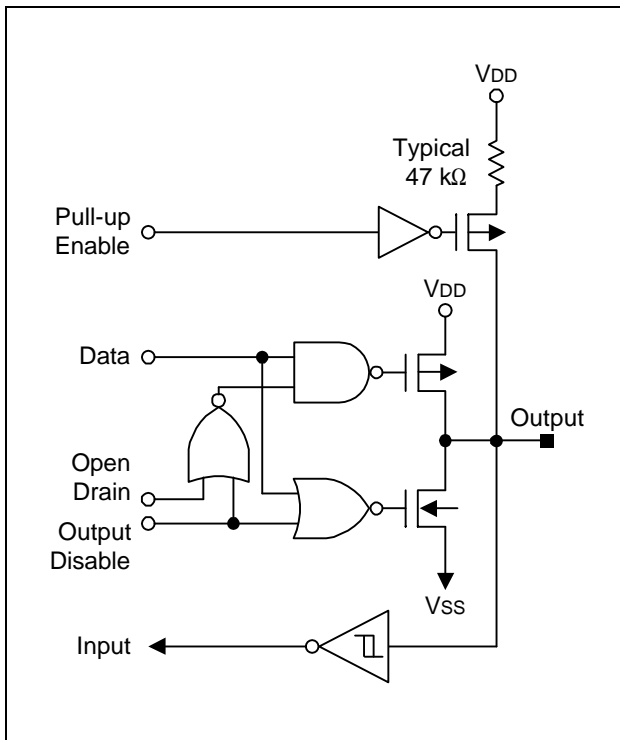


Figure 1-11. Pin Circuit Type E

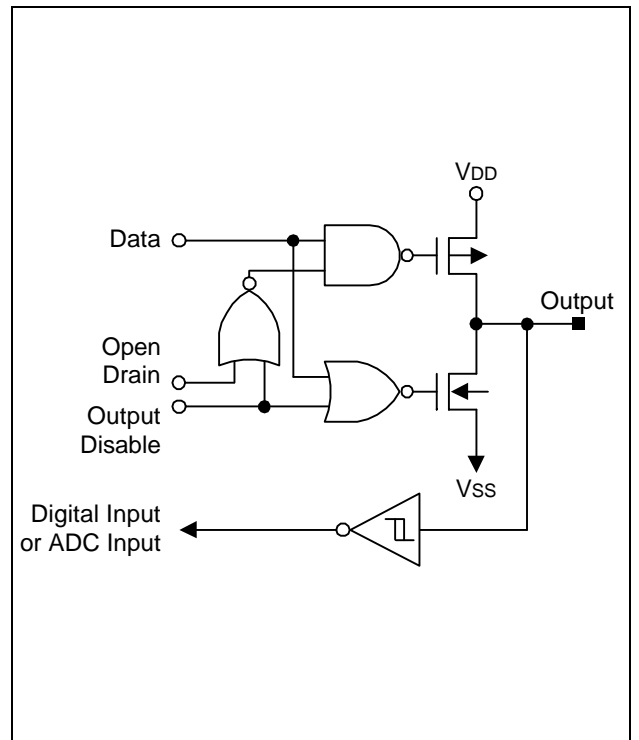


Figure 1-12. Pin Circuit Type E-1

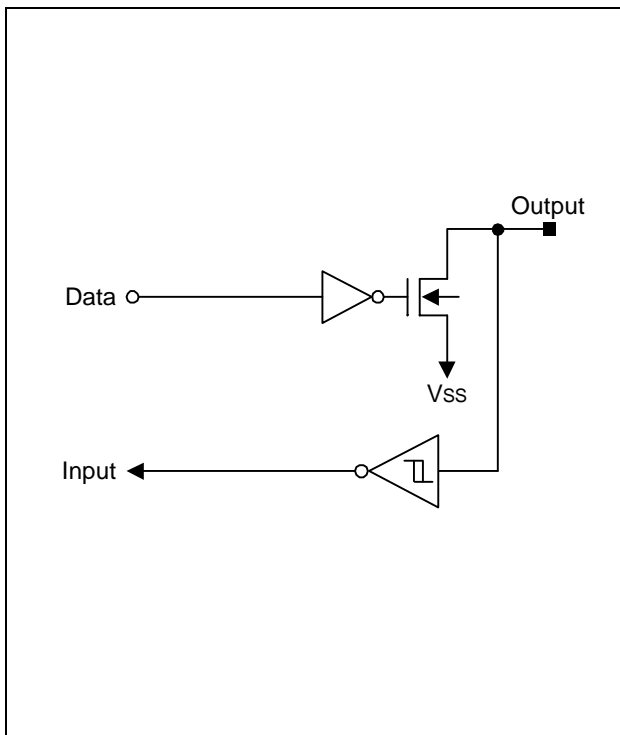


Figure 1-13. Pin Circuit Type G-3

NOTES

2 ADDRESS SPACES

OVERVIEW

S3C8639/C863A/C8647 microcontrollers have two types of address space:

- Internal program memory (ROM)
- Internal register file

The 16-bit address and data bus support program memory operations. The separate 8-bit register bus carries addresses and data between the CPU and the internal register file. S3C8639/C863A/C8647 employ an internal 32/48/24-Kbyte mask-programmable ROM. External memory interface is not implemented.

There are 852/1108/462 8-bit registers in the internal register file. In this space, there are 784/1040/400 registers for general use, 19 for CPU and system control, and 49(43) for peripheral control and data. An area of 16-byte common working register (scratch) is part of the general-purpose register space. Most of these registers serve as either a source or destination address, or as accumulators for data memory operations.

PROGRAM MEMORY (ROM)

Program memory (ROM) stores program code or table data. S3C8639/C863A employ 32/48-Kbytes of mask-programmable program memory. The memory address range is 0H–7FFFH/BFFFH (see Figure 2-1).

S3C8647 employs 24-Kbytes of mask-programmable program memory. The memory address range is 0H–5FFFH.

The first 256 bytes of the ROM (0H–FFH) are reserved for interrupt vector addresses. Unoccupied locations in the address range can be used as normal program memory. When you use the vector address area to store program code, be careful not to overwrite vector addresses stored in these locations.

The ROM address at which program execution starts after a reset is 0100H.

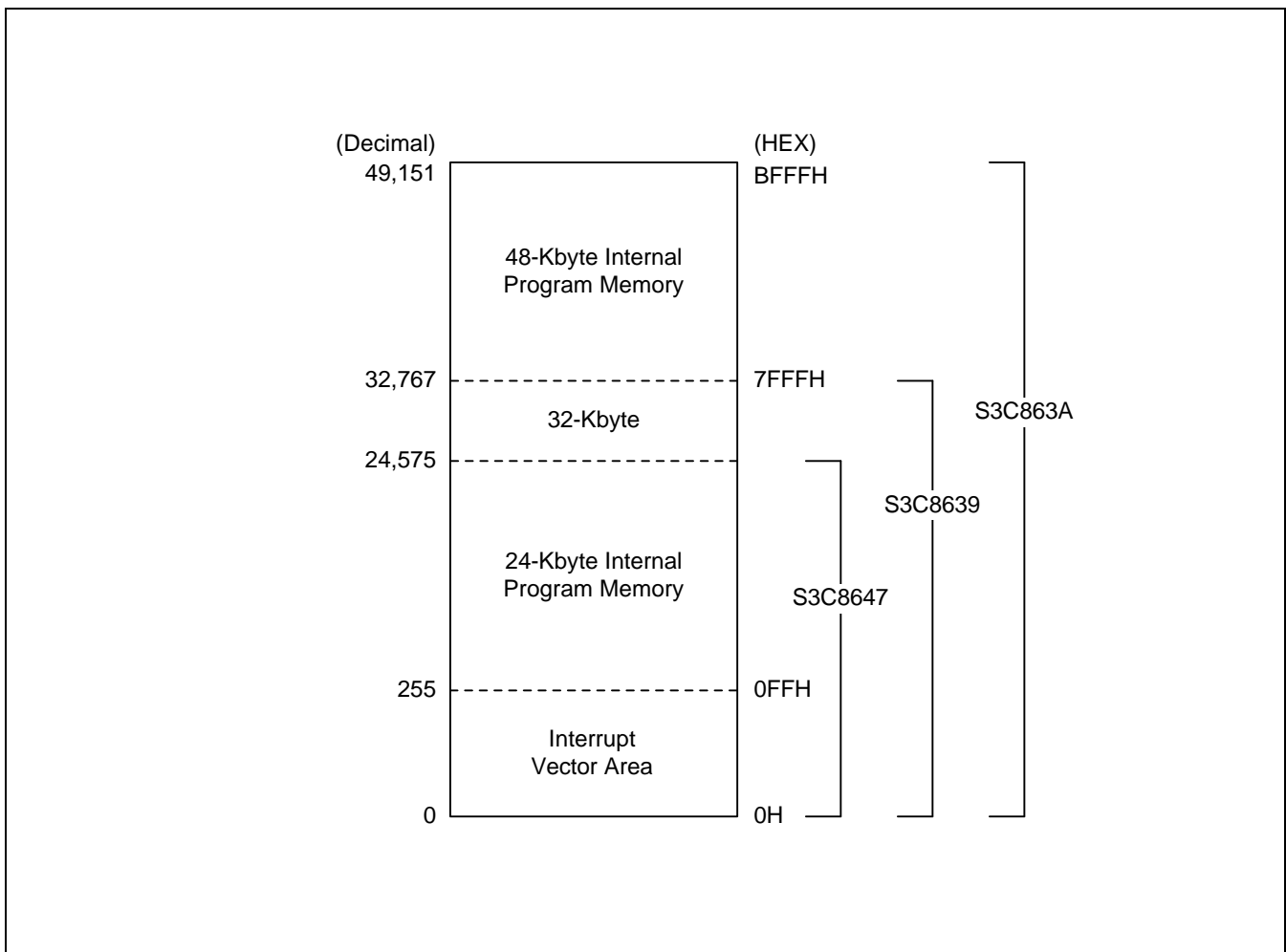


Figure 2-1. Program Memory Address Space

REGISTER ARCHITECTURE

The upper 64-byte area of the S3C8639/C863A/C8647 files is logically expanded to two 64-byte areas, called *set 1* and *set 2*. The upper 32-byte area of set 1 is divided into two register banks, *bank 0* and *bank 1*. The total physical register space is thereby expanded internal register to 864/1120 bytes. Within this physical space, there are 864/1120/462-byte registers, of which 852/1108/450 are addressable.

Given the microcontroller's 8-bit register bus architecture, up to 256 bytes of physical register space can be addressed as a single page. The S3C8639 register files have three pages, page 0, page 1 and page 2. And the S3C863A register files have four pages, page 0, page 1, page 2 and page 3. The S3C8647 register files have two pages, page 0, and page 1. All page contain 256 bytes respectively.

The extension of physical register space into separately addressable areas (sets, banks, and pages) is enabled by addressing mode restrictions, the select bank instructions SB0 and SB1, and the register page pointer, PP.

Specific register types and areas (in bytes) they occupy in the S3C8639/C863A/C8647 internal register files are summarized in Table 2-1.

Table 2-1. Register Type Summary

Register Type	Number of Bytes (S3C8639/C863A)	Number of Bytes (S3C8647)
General-purpose registers (including the 16-byte common working register area)	784/1040	400
CPU and system control registers	19	19
Clock, peripheral, I/O control, and data registers	49	43
Total Addressable Bytes	852/1108	462

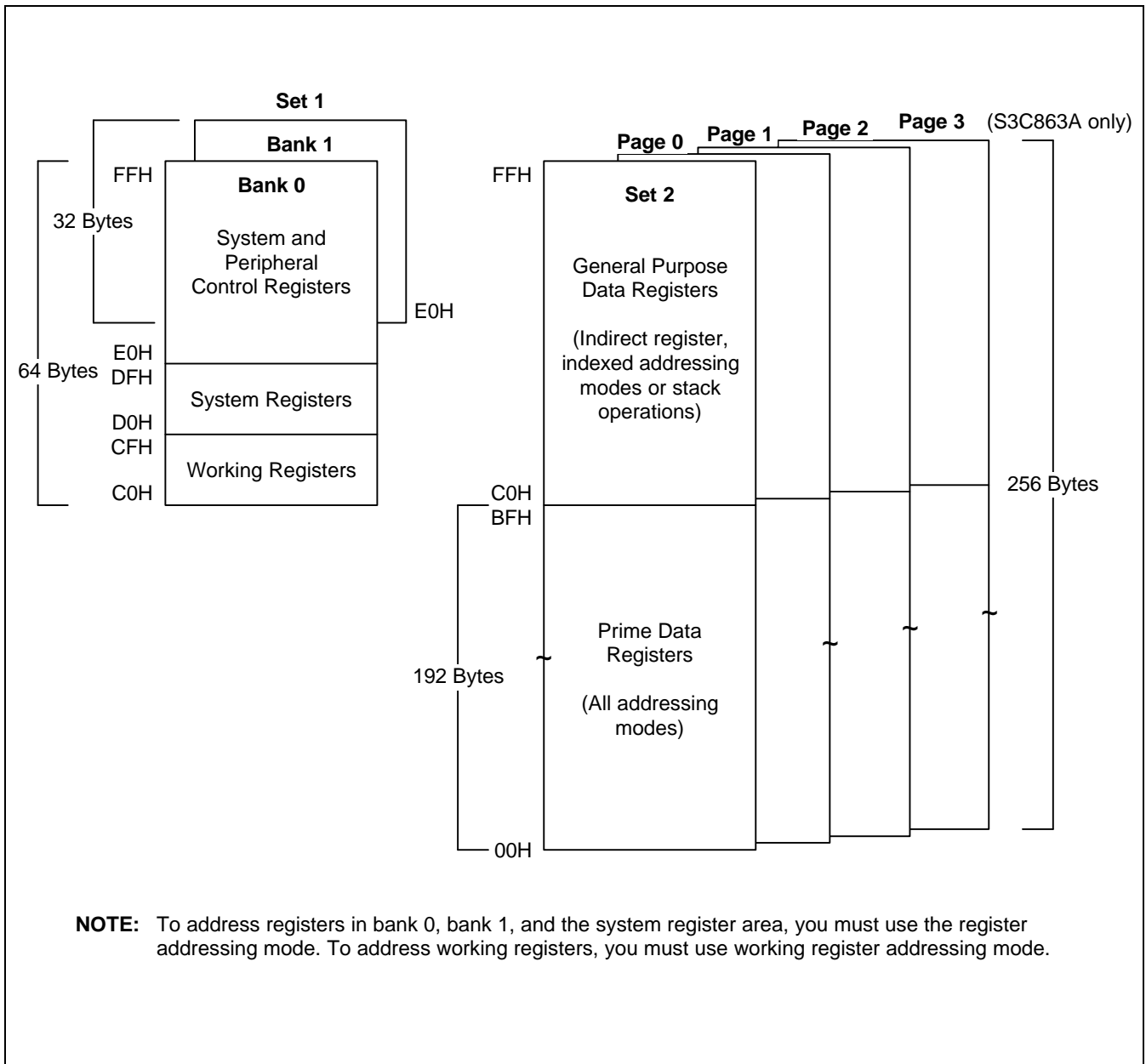


Figure 2-2. Internal Register File Organization (S3C863X)

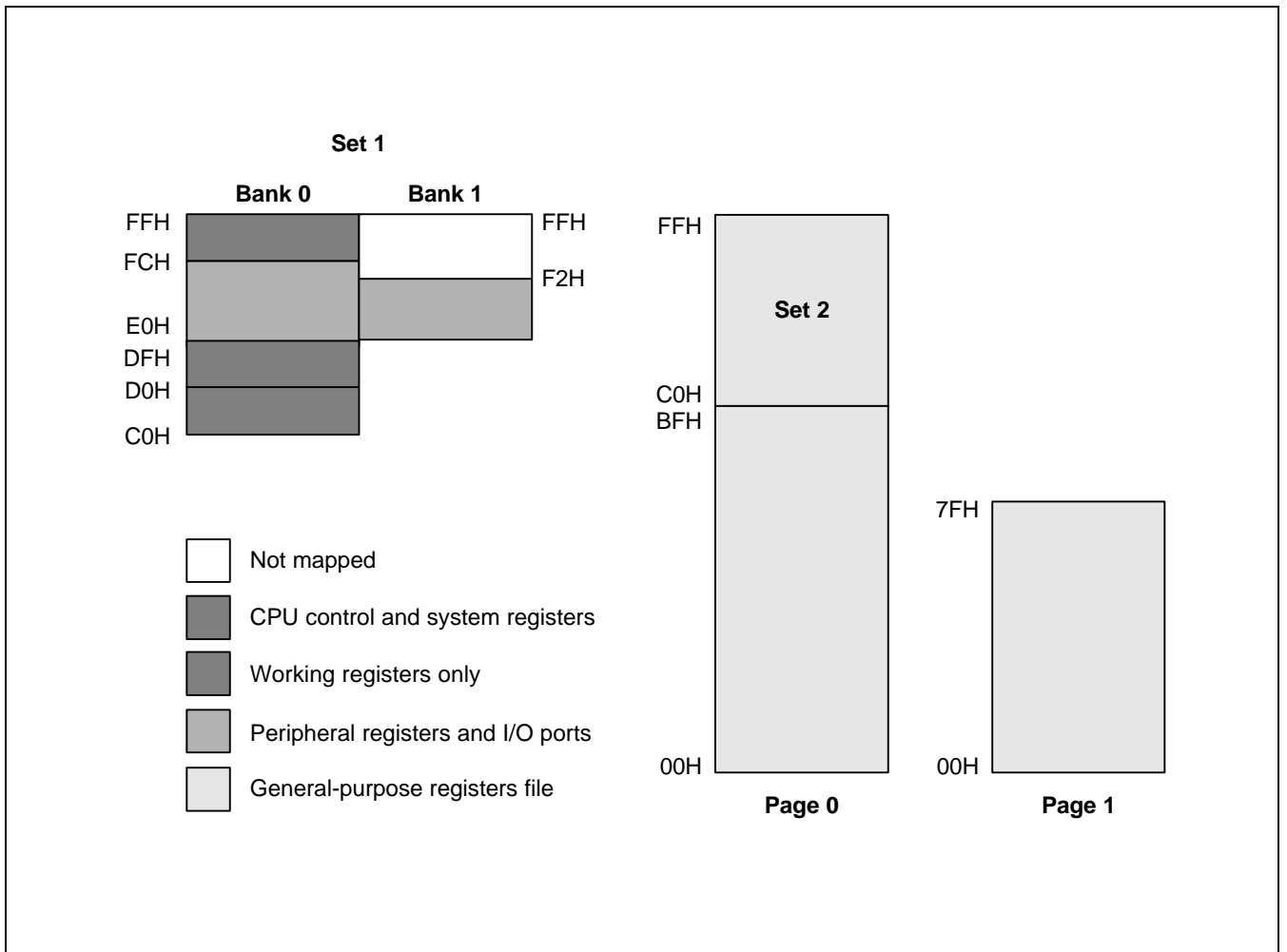


Figure 2-3. Register File Layout (S3C8647)

REGISTER PAGE POINTER (PP)

The SAM8 architecture supports the logical expansion of the physical 256-byte internal register file (which use an 8-bit data bus) to as many as 16 separately addressable register pages. Page addressing is controlled by the register page pointer (PP, DFH). Two logical pages are implemented in S3C8639/C863A/C8647. These pages are used as general purpose register space.

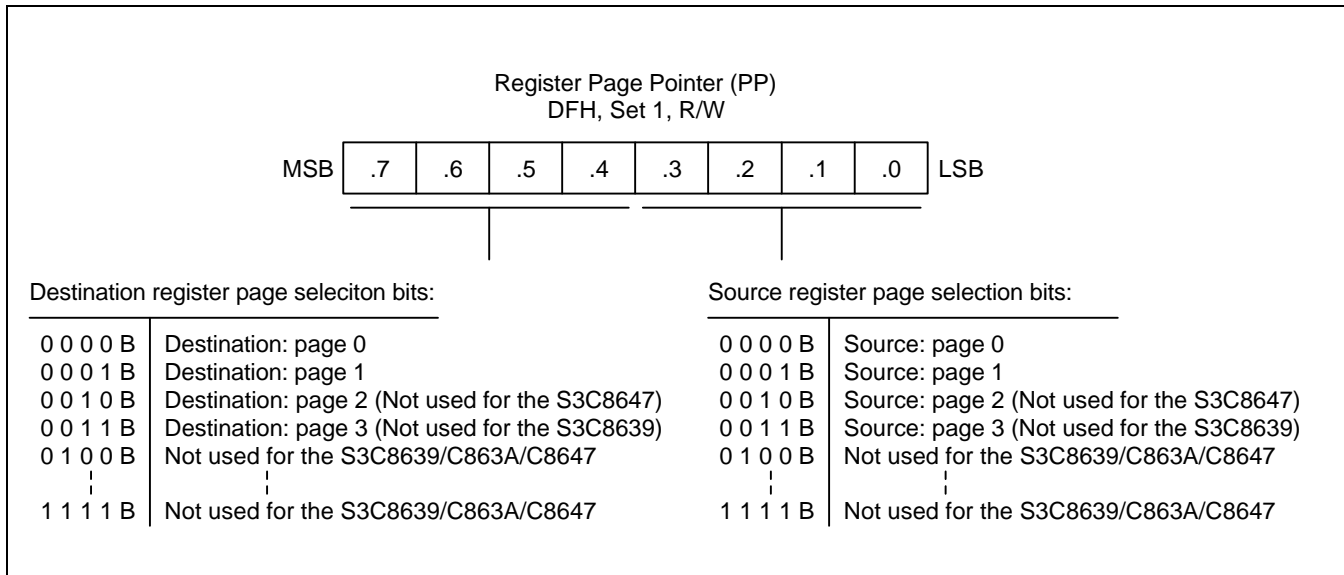


Figure 2-4. Register Page Pointer (PP)

REGISTER SET 1

The term *set 1* refers to the upper 64 bytes of the register file, locations C0H–FFH. The upper 32-byte area of this 64-byte space (E0H–FFH) is divided into two 32-byte register banks, *bank 0* and *bank 1*. You execute the set register bank instructions SB0 or SB1 to address one bank or the other. Bank 0 is automatically selected by a reset operation.

In S3C8639/C863A, register locations of only E0H–F4H are addressable in the bank 1 area; the remaining locations (F5H–FFH) are not mapped. The lower 32-byte area of set 1 is not banked and can be addressed at any time. It contains 16 mapped system registers (D0H–DFH) and a 16-byte “scratch” area (C0H–CFH) for working register addressing.

Registers in set 1 are directly accessible at all times using Register addressing mode. The 16-byte working register area can only be accessed using working register addressing. (For more information about working register addressing, please refer to Chapter 3, “Addressing Modes.”)

REGISTER SET 2

The same 64-byte physical space that is used for set 1 register locations C0H–FFH is logically duplicated to add another 64 bytes of space. This expanded area of the register file is called *set 2*. All set 2 locations (C0H–FFH) can be addressed in all page of the S3C8639/C863A register space.

The logical division of set 1 and set 2 is maintained by means of addressing mode. In order to access set 1, you should use register addressing mode. When you want to access register locations in set 2, you have to select Register Indirect addressing mode or Indexed addressing mode access register locations in set 2.

PRIME REGISTER SPACE

The lower 192 bytes of the 256-byte physical internal register file (00H–BFH) is called the *prime register space*, or more simply, the *prime area*. You can access registers in this address range at all page using any of the seven explicit addressing modes (see chapter 3, "Addressing Modes"). All registers in the prime area can be addressed immediately after a reset.

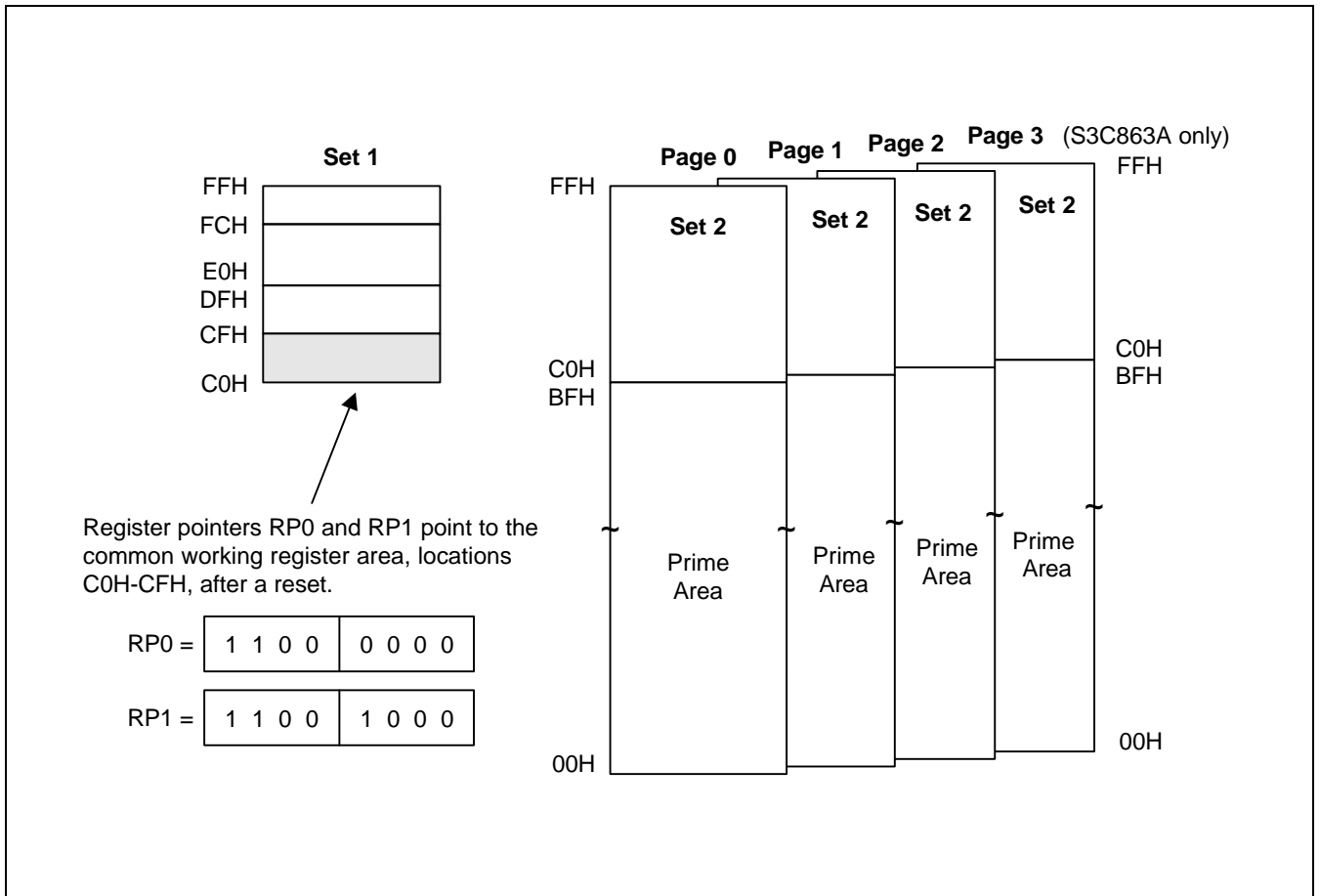


Figure 2-5. Set 1, Set 2, and Prime Area Register Map (S3C863X)

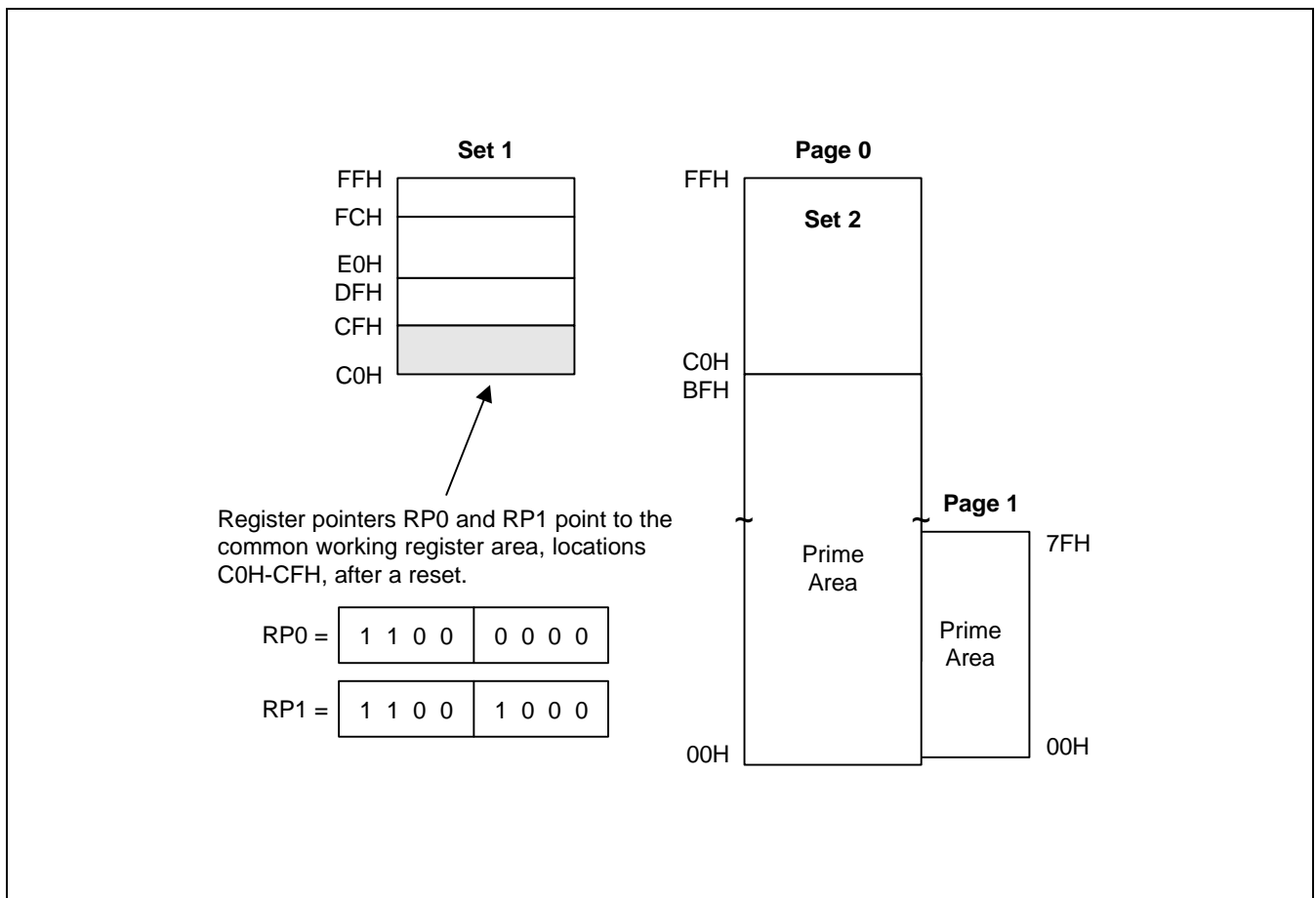


Figure 2-6. Set 1, Set 2, and Prime Area Register Map (S3C8647)

WORKING REGISTERS

Instructions can access specific 8-bit registers or 16-bit register pairs using either 4-bit or 8-bit address fields. When 4-bit working register addressing is used, the 256-byte register file can be seen by the programmer as one that consists of 32 8-byte register groups or "slices." Each slice comprises of eight 8-bit registers.

With the two 8-bit register pointers, RP1 and RP0 employed, two working register slices can be selected at any time to form a 16-byte working register block. The register pointers help, you move this 16-byte register block to anywhere in the addressable register file, except for the set 2 area.

The terms *slice* and *block* are used in this manual to help you visualize the size and relative locations of selected working register spaces:

- One working register *slice* is 8 bytes (eight 8-bit working registers; R0–R7 or R8–R15)
- One working register *block* is 16 bytes (sixteen 8-bit working registers; R0–R15)

All the registers in an 8-byte working register slice have the same binary value for their five most significant address bits. This makes it possible for each register pointer to point to one of the 24 slices in the register file. The base addresses for the two 8-byte register slices selected are contained in register pointers RP0 and RP1.

After a reset, RP0 and RP1 always point to the 16-byte common area in set 1 (C0H–CFH).

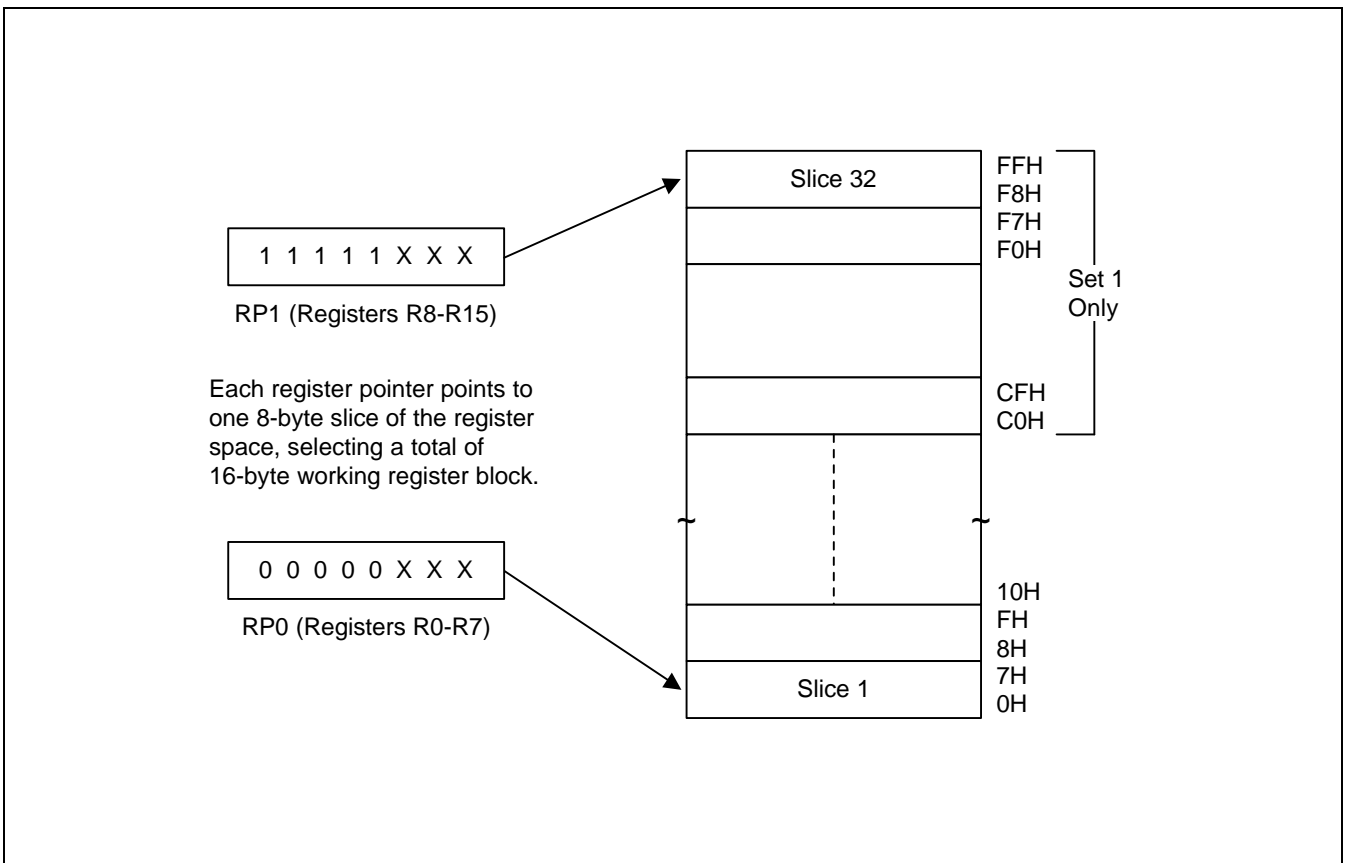


Figure 2-7. 8-Byte Working Register Areas (Slices)

USING THE REGISTER POINTERS

Register pointers of RP0 and RP1 which are mapped to the addresses D6H and D7H in set 1, are used to select two movable 8-byte working register slices in the register file. After a reset, they point to the working register common area: RP0 points to the addresses C0H–C7H, and RP1 points to the addresses C8H–CFH.

You can change a register pointer value, by loading a new value to RP0 and/or RP1 using an SRP or LD instruction (see Figures 2-6 and 2-7).

In working register addressing, you can only access those two 8-bit slices of the register file that are currently pointed to by RP0 and RP1. You cannot use the register pointers to select a working register area in set 2, C0H–FFH, because these locations can be accessed only with Indirect Register or Indexed addressing modes.

The 16-byte working register block selected usually consists of two contiguous 8-byte slices. As a general programming guideline, we recommend that RP0 point to the "lower" slice and RP1 point to the "upper" slice (see Figure 2-6). In some cases, it may be necessary to define working register areas in different (non-contiguous) areas of the register file. In Figure 2-7, RP0 points to the "upper" slice and RP1 to the "lower" slice.

As a register pointer can point to either of the two 8-byte slices in the working register block, you can flexibly define the working register area to support a variety of program requirements.

PROGRAMMING TIP — Setting the Register Pointers

SRP	#70H	; RP0 ← 70H, RP1 ← 78H
SRP1	#48H	; RP0 ← no change, RP1 ← 48H
SRP0	#0A0H	; RP0 ← A0H, RP1 ← no change
CLR	RP0	; RP0 ← 00H, RP1 ← no change
LD	RP1,#0F8H	; RP0 ← no change, RP1 ← 0F8H

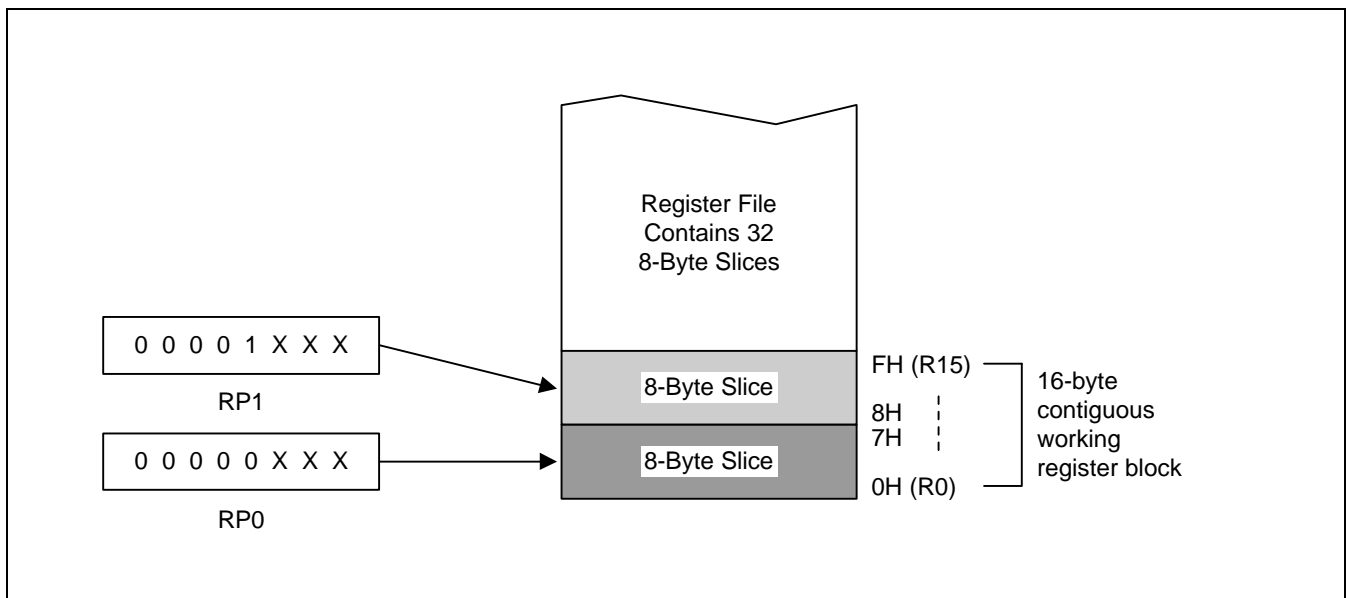


Figure 2-8. Contiguous 16-Byte Working Register Block

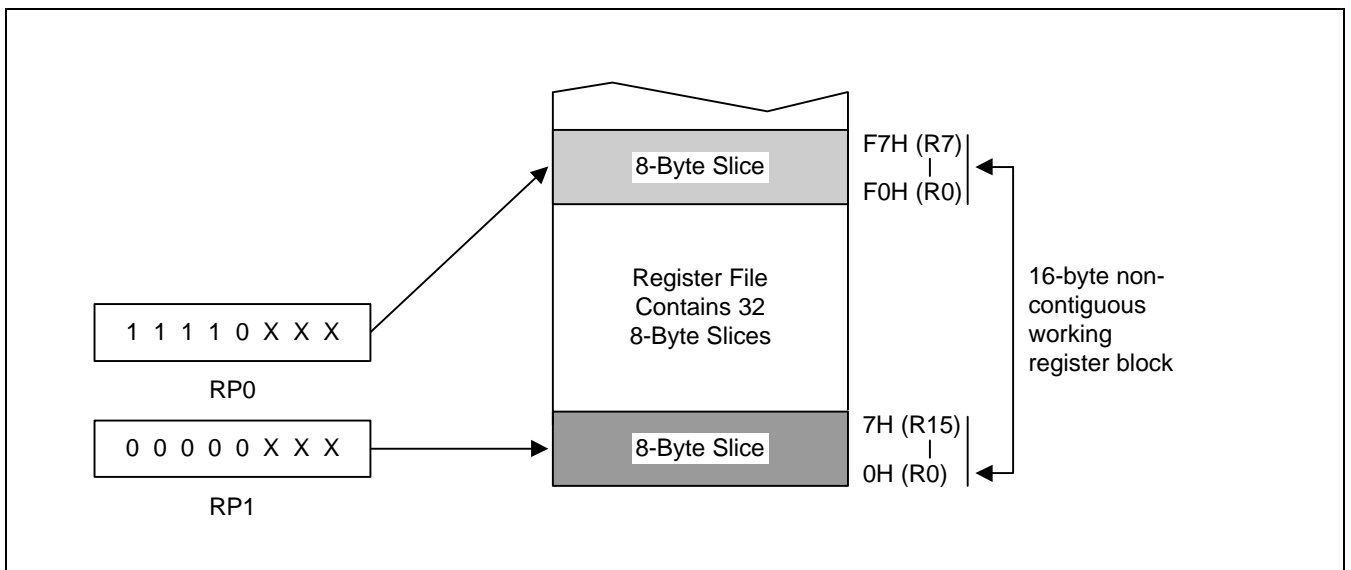


Figure 2-9. Non-Contiguous 16-Byte Working Register Block

PROGRAMMING TIP — Calculate the Sum of a Series of Registers Using the RPs

Calculate the sum of registers 80H–85H using the register pointer and working register addressing. The register addresses from 80H through 85H contain the values 10H, 11H, 12H, 13H, 14H, and 15H, respectively:

SRP0	#80H	; RP0 ← 80H
ADD	R0,R1	; R0 ← R0 + R1
ADC	R0,R2	; R0 ← R0 + R2 + C
ADC	R0,R3	; R0 ← R0 + R3 + C
ADC	R0,R4	; R0 ← R0 + R4 + C
ADC	R0,R5	; R0 ← R0 + R5 + C

The sum of these six registers, 6FH, is located in the register R0 (80H). The instruction string used in this example takes 12 bytes of instruction code and its execution time is 24 cycles. If the register pointer is not used to calculate the sum of these registers, the following instruction sequence would have to be used:

ADD	80H,81H	; 80H ← (80H) + (81H)
ADC	80H,82H	; 80H ← (80H) + (82H) + C
ADC	80H,83H	; 80H ← (80H) + (83H) + C
ADC	80H,84H	; 80H ← (80H) + (84H) + C
ADC	80H,85H	; 80H ← (80H) + (85H) + C

The sum of the six registers, here, is also located in the register 80H. This instruction string, however, takes 15 bytes of instruction code instead of 12 bytes, and its execution time is 30 cycles instead of 24 cycles.

REGISTER ADDRESSING

The SAM8 register architecture provides an efficient method of working register addressing that takes full advantage of shorter instruction formats to reduce execution time.

With Register (R) addressing mode, in which the operand value is the content of a specific register or register pair, you can access all locations in the register file except for set 2. With working register addressing, you use a register pointer to specify an 8-byte working register space in the register file and an 8-bit register within that space.

Registers are addressed either as a single 8-bit register or as a paired 16-bit register space. In a 16-bit register pair, the address of the first 8-bit register is always an even number and the address of the next register is always an odd number. The most significant byte of the 16-bit data is always stored in the even-numbered register; the least significant byte is always stored in the next (+1) odd-numbered register.

Working register addressing differs from Register addressing in a way that it uses a register pointer to specify an 8-byte working register space in the register file and an 8-bit register within that space (see Figure 3-2).

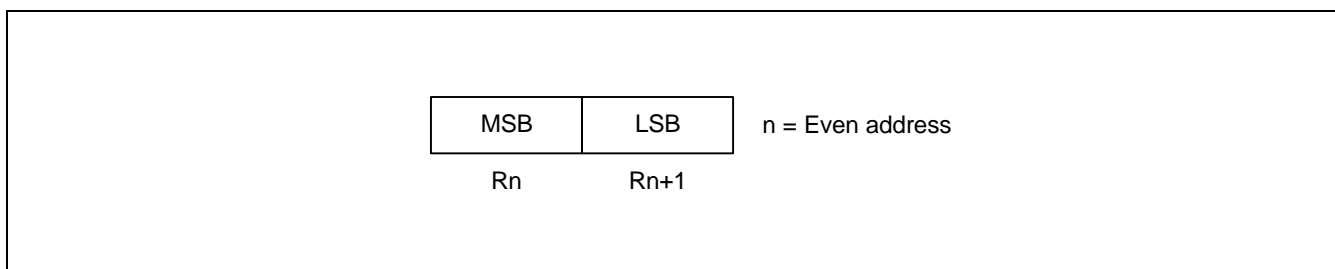


Figure 2-10. 16-Bit Register Pair

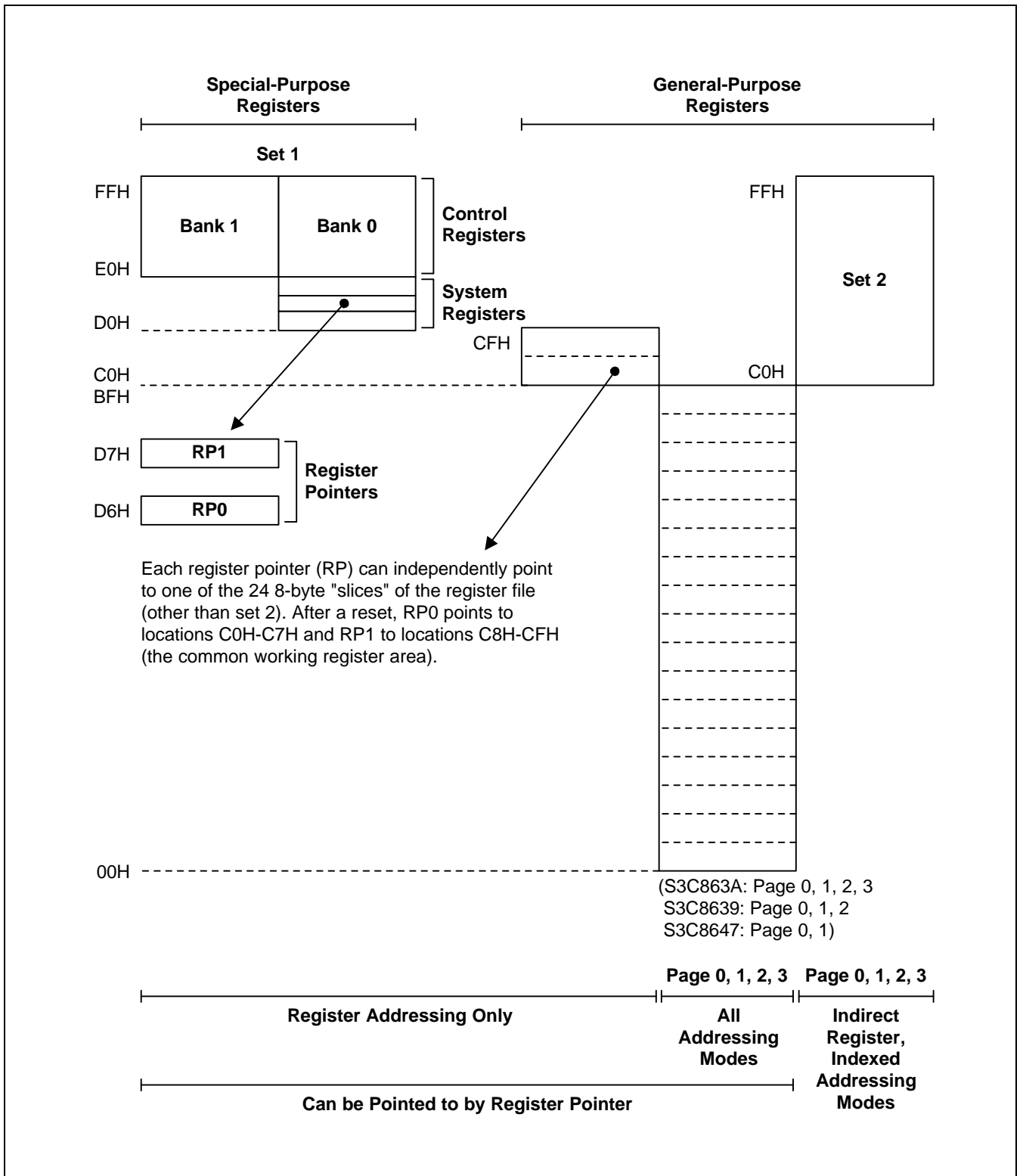


Figure 2-11. Register File Addressing

COMMON WORKING REGISTER AREA (C0H–CFH)

After a reset, register pointers RP0 and RP1 automatically select two 8-byte register slices in set 1, locations C0H–CFH, as the active 16-byte working register block:

RP0 → C0H–C7H
 RP1 → C8H–CFH

This 16-byte address range is called *common working register area*. That is, locations in this area can be used as working registers by operations that address any location on any page in the register file. Typically, these working registers serve as temporary buffers for data operations between different pages.

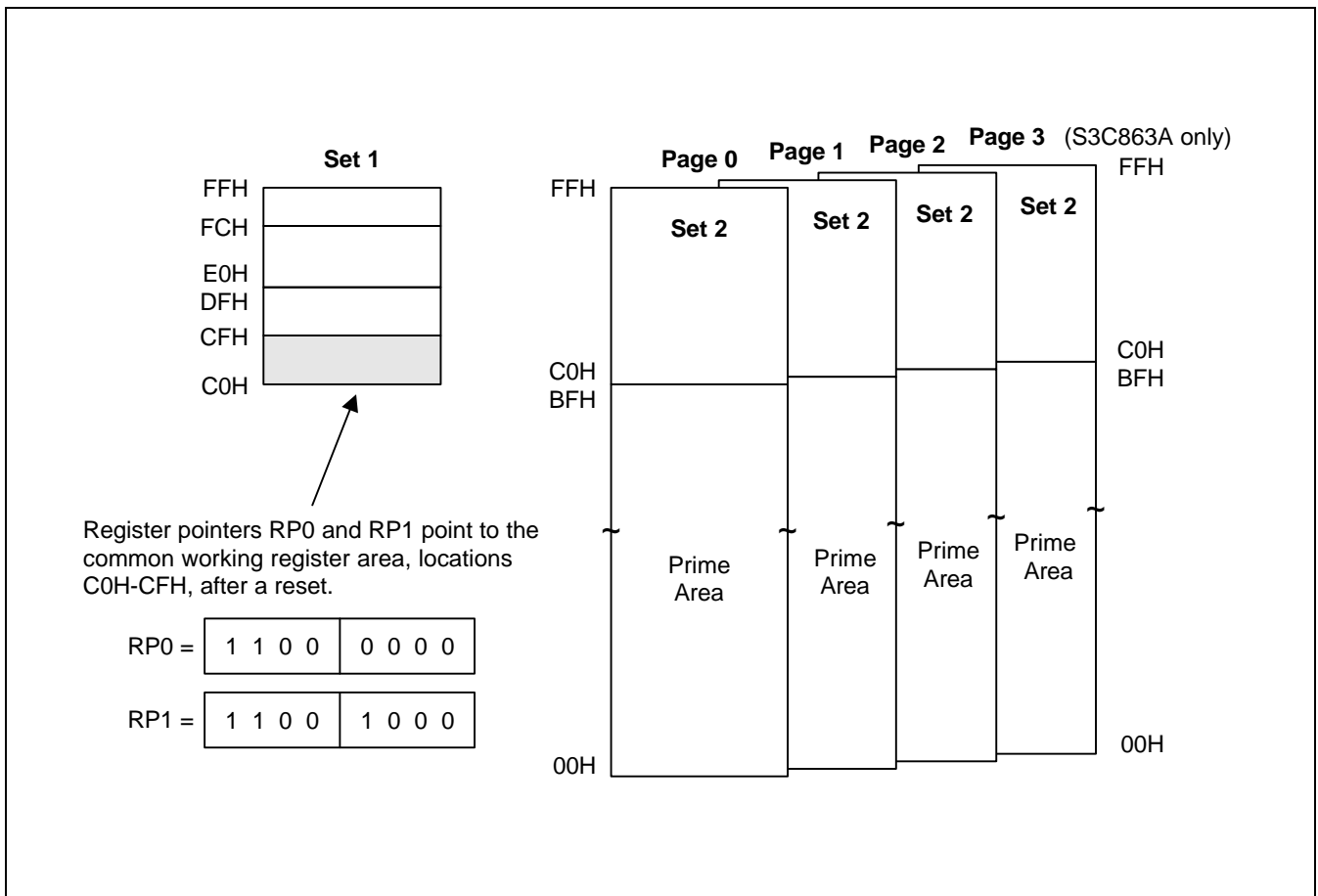


Figure 2-12. Common Working Register Area (S3C863X)

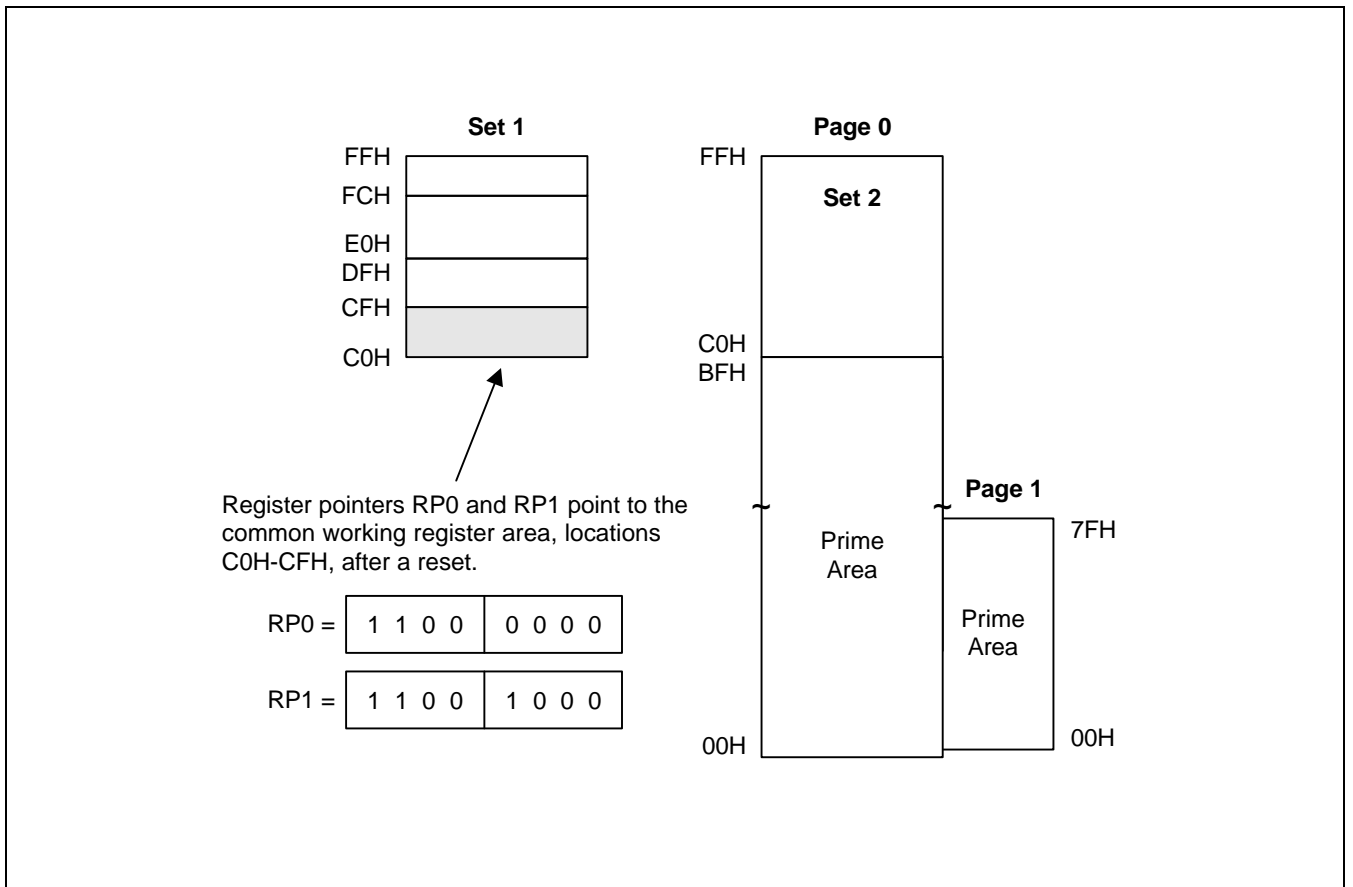


Figure 2-13. Common Working Register Area (S3C8647)

PROGRAMMING TIP — Addressing the Common Working Register Area

As the following examples show, you should access working registers in the common area, locations C0H–CFH, using working register addressing mode only.

- Examples:**
1. LD 0C2H,40H ; Invalid addressing mode!
Use working register addressing instead:
SRP #0C0H
LD R2,40H ; R2 (C2H) ← the value in location 40H
 2. ADD 0C3H,#45H ; Invalid addressing mode!
Use working register addressing instead:
SRP #0C0H
ADD R3,#45H ; R3 (C3H) ← R3 + 45H

4-BIT WORKING REGISTER ADDRESSING

Each register pointer defines a movable 8-byte slice of working register space. The address information stored in a register pointer serves as an addressing "window" that makes it possible for instructions to access working registers very efficiently using short 4-bit addresses. When an instruction addresses a location in the selected working register area, the address bits are concatenated in the following way to form a complete 8-bit address:

- The high-order bit of the 4-bit address selects one of the register pointers ("0" selects RP0; "1" selects RP1);
- The five high-order bits in the register pointer select an 8-byte slice of the register space;
- The three low-order bits of the 4-bit address select one of the eight registers in the slice.

As shown in Figure 2-11, the result of this operation is that the five high-order bits from the register pointer are concatenated with the three low-order bits from the instruction address to form the complete address. As long as the address stored in the register pointer remains unchanged, the three bits from the address will always point to an address in the same 8-byte register slice.

Figure 2-12 shows a typical example of 4-bit working register addressing: the high-order bit of the instruction "INC R6" is "0", which selects RP0. The five high-order bits stored in RP0 (01110B) are concatenated with the three low-order bits of the instruction's 4-bit address (110B) to produce the register address 76H (01110110B).

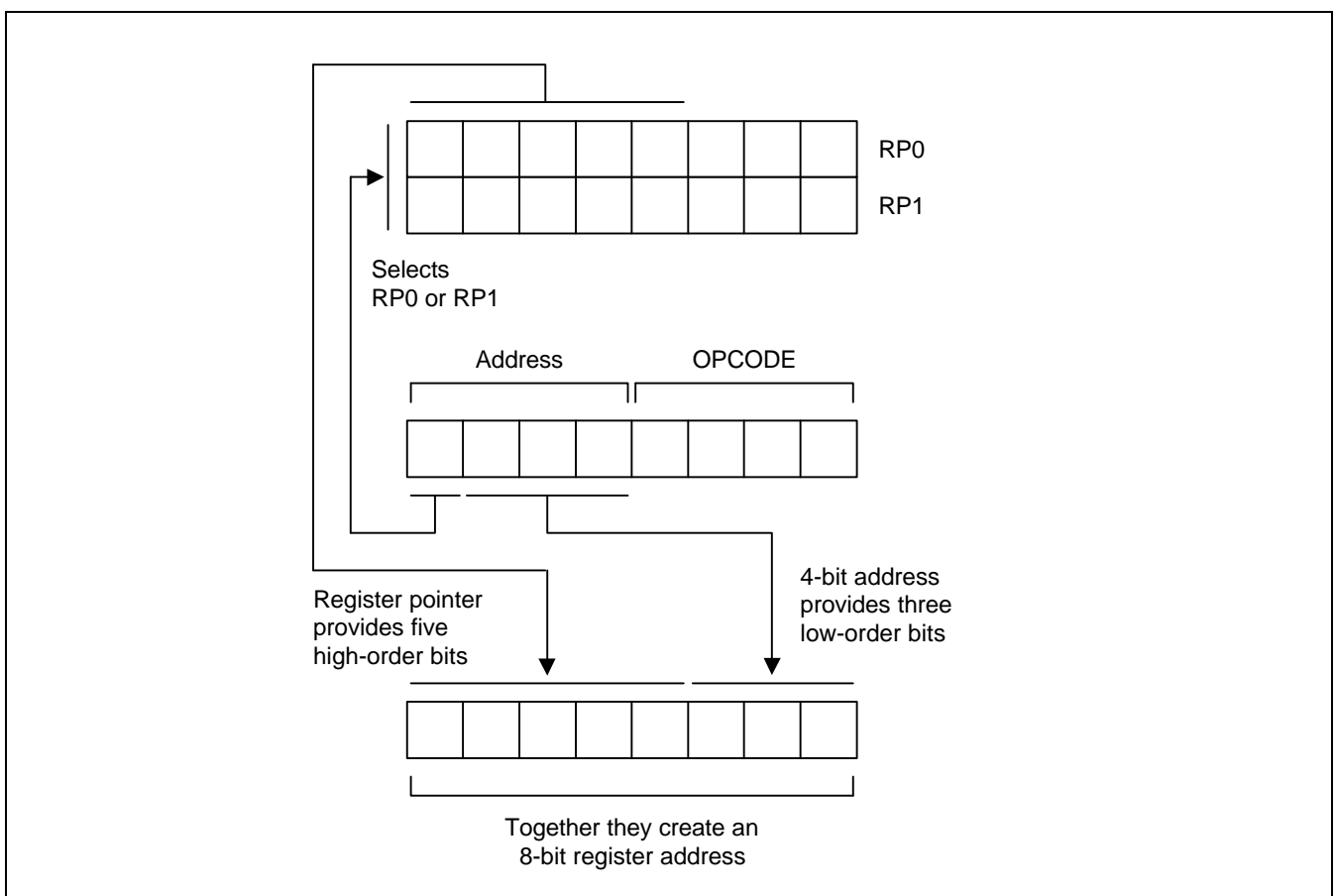


Figure 2-14. 4-Bit Working Register Addressing

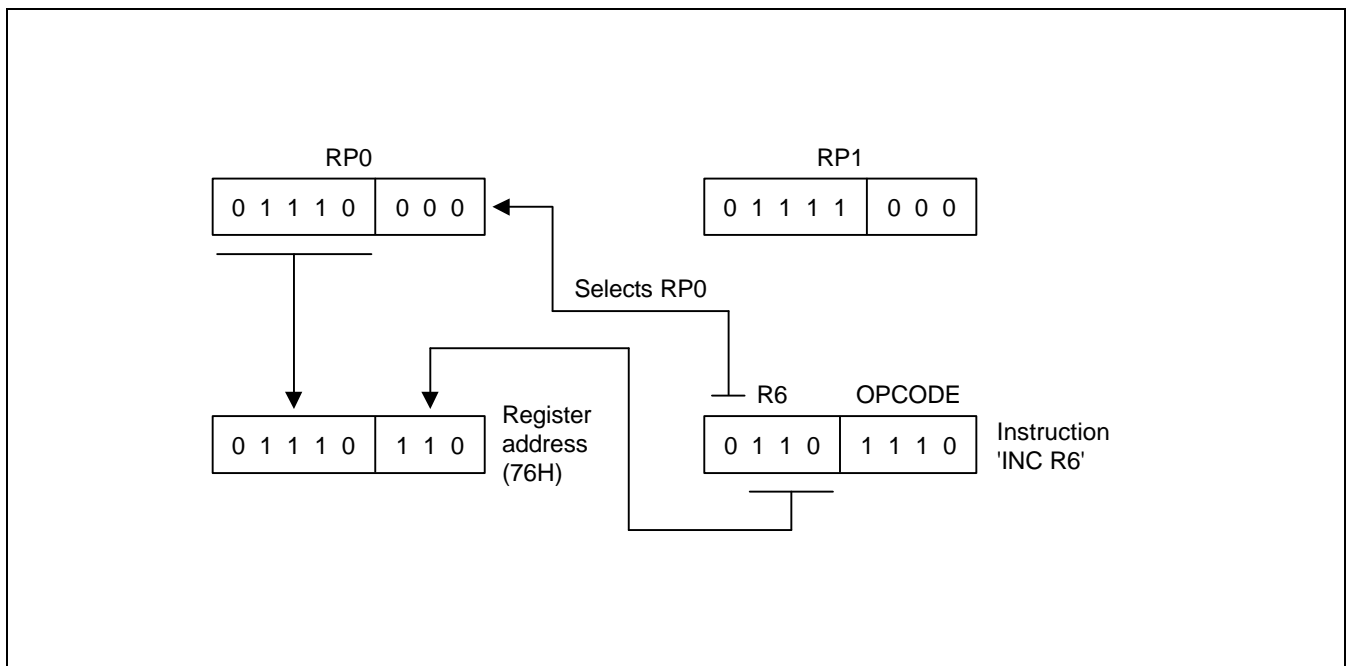


Figure 2-15. 4-Bit Working Register Addressing Example

8-BIT WORKING REGISTER ADDRESSING

You can also use 8-bit working register addressing to access registers in a selected working register area. To initiate 8-bit working register addressing, the upper four bits of the instruction address must contain the value of 1100B. This 4-bit value (1100B) indicates that the remaining four bits have the same effect as 4-bit working register addressing.

As shown in Figure 2-13, the lower nibble of the 8-bit address is concatenated in much the same way as for 4-bit addressing: Bit 3 selects either RP0 or RP1, which then supplies the five high-order bits of the final address; the three low-order bits of the complete address are provided by the original instruction.

Figure 2-14 shows an example of 8-bit working register addressing: the four high-order bits of the instruction address (1100B) specify 8-bit working register addressing. Bit 4 ("1") selects RP1 and the five high-order bits in RP1 (10101B) become the five high-order bits of the register address. The three low-order bits of the register address (011) are provided by the three low-order bits of the 8-bit instruction address. The five address bits from RP1 and the three address bits from the instruction are concatenated to form the complete register address, 0ABH (10101011B).

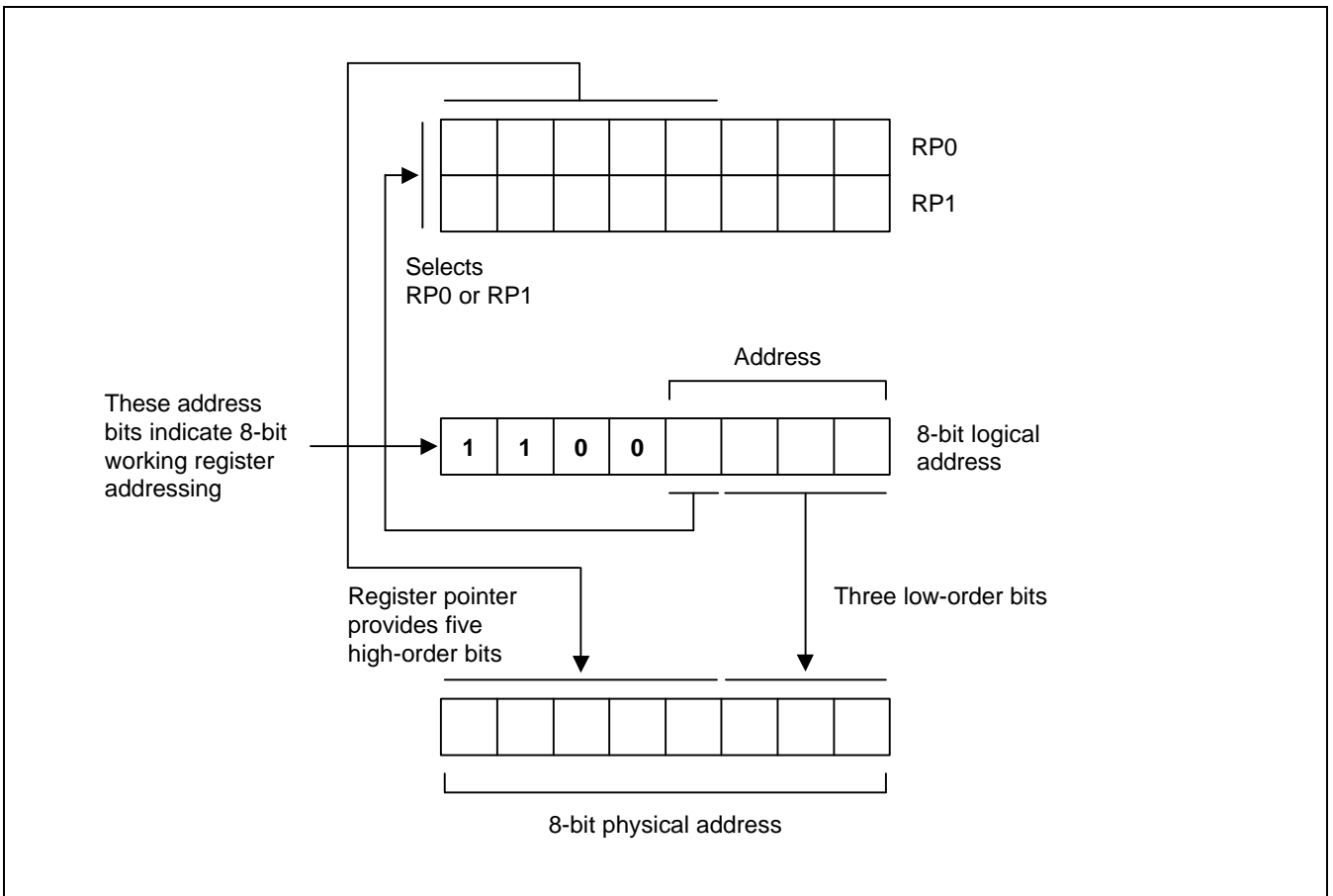


Figure 2-16. 8-Bit Working Register Addressing

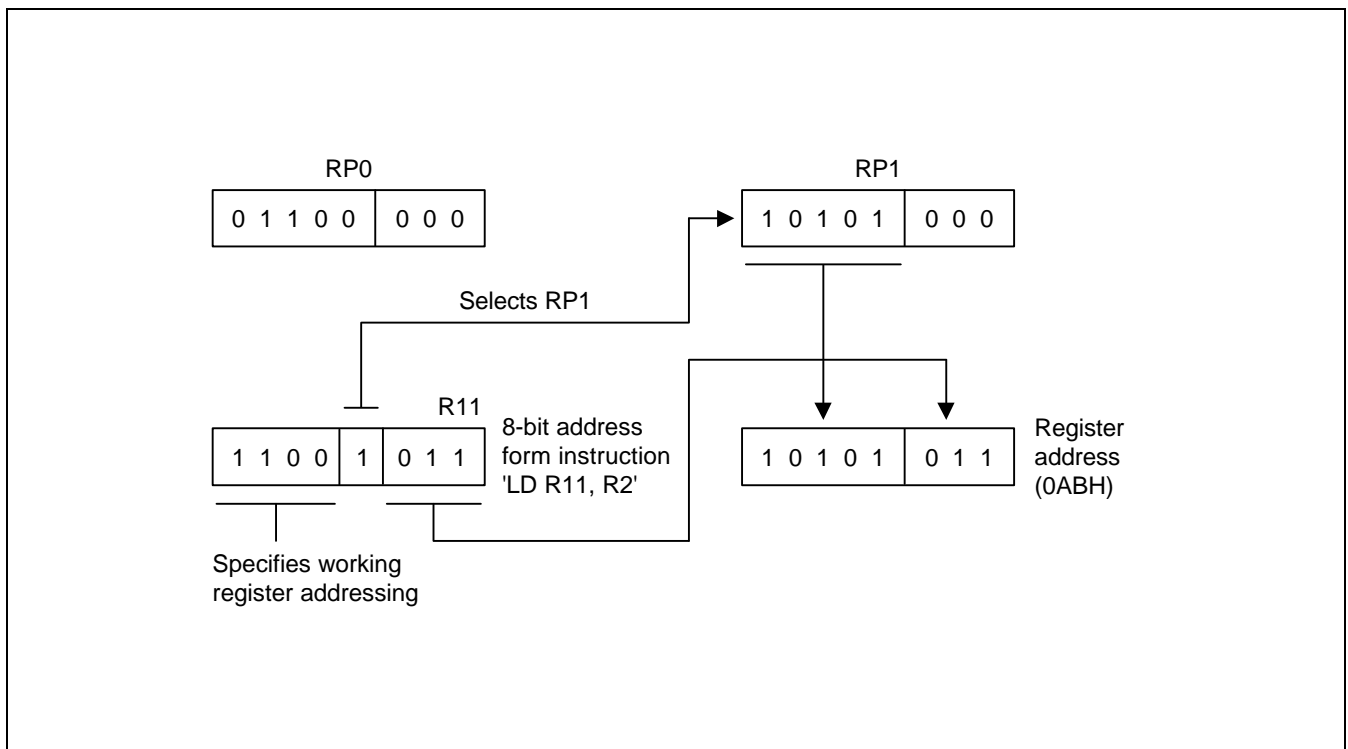


Figure 2-17. 8-Bit Working Register Addressing Example

SYSTEM AND USER STACKS

S3-series microcontrollers can be programmed to use the system stack for subroutine calls, returns and interrupts and to store data. The PUSH and POP instructions are used to control system stack operations. The S3C8639/C863A architecture supports stack operations in the internal register file.

Stack Operations

Return addresses for procedure calls and interrupts and data are stored on the stack. The contents of the PC are saved to stack by a CALL instruction and restored by the RET instruction. When an interrupt occurs, the contents of the PC and the FLAGS register are pushed to the stack. The IRET instruction then pops these values back to their original locations. The stack address is always decremented *before* a push operation and incremented *after* a pop operation. The stack pointer (SP) always points to the stack frame stored on the top of the stack, as shown in Figure 2-15.

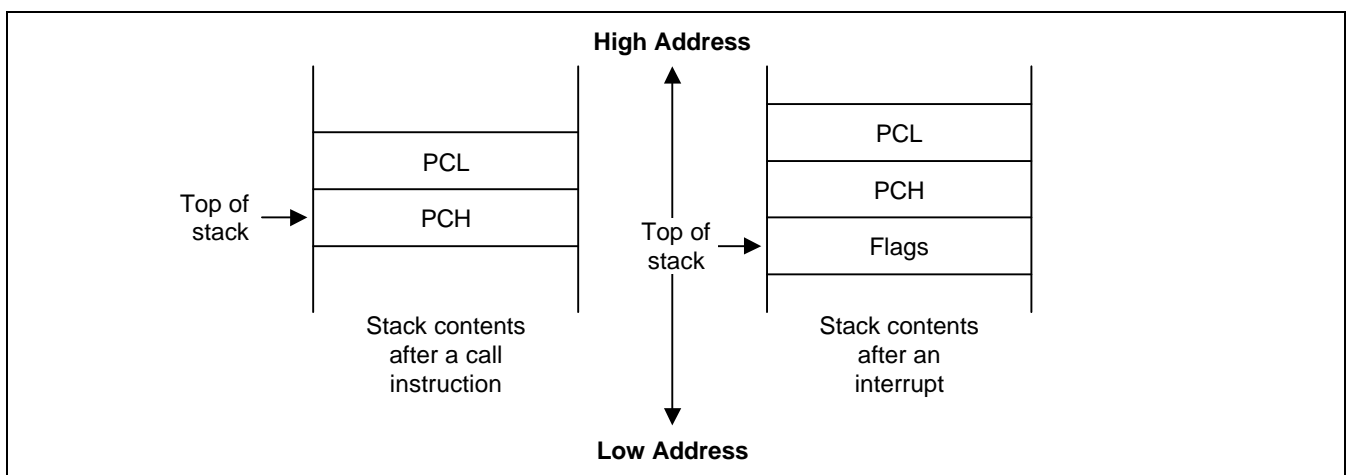


Figure 2-18. Stack Operations

User-Defined Stacks

You can freely define stacks in the internal register file as data storage locations. The instructions PUSHUI, PUSHUD, POPUI, and POPUD support user-defined stack operations.

Stack Pointers (SPL, SPH)

Register locations D8H and D9H contain the 16-bit stack pointer (SP) that is used for system stack operations. The most significant byte of the SP address, SP15–SP8, is stored in the SPH register (D8H) and the least significant byte, SP7–SP0, is stored in the SPL register (D9H). After a reset, the SP value is undetermined.

Because only internal memory space is implemented in S3C8639/C863A, the SPL must be initialized to an 8-bit value in the range 00H–FFH. The SPH register is not needed here and can be used as a general-purpose register, if necessary.

When the SPL register contains the only stack pointer value (that is, when it points to a system stack in the register file), you can use the SPH register as a general-purpose data register. However, if an overflow or underflow condition occurs as the result of incrementing or decrementing the stack address in the SPL register during normal stack operations, the value in the SPL register will overflow (or underflow) to the SPH register, overwriting any data that is currently stored there. To avoid overwriting data in the SPH register, you can initialize the SPL value to "FFH" rather than "00H".

PROGRAMMING TIP — Standard Stack Operations Using PUSH and POP

The following example shows you how to perform stack operations in the internal register file using PUSH and POP instructions:

```
LD      SPL,#0FFH      ; SPL ← FFH
                        ; (Normally, the SPL is set to 0FFH by the initialization
                        ; routine)
.
.
.
PUSH   PP              ; Stack address 0FEH ← PP
PUSH   RP0             ; Stack address 0FDH ← RP0
PUSH   RP1             ; Stack address 0FCH ← RP1
PUSH   R3              ; Stack address 0FBH ← R3
.
.
.
POP    R3              ; R3 ← Stack address 0FBH
POP    RP1             ; RP1 ← Stack address 0FCH
POP    RP0             ; RP0 ← Stack address 0FDH
POP    PP              ; PP ← Stack address 0FEH
```

3

ADDRESSING MODES

OVERVIEW

The program counter is used to fetch instructions that are stored in program memory for execution. Instructions indicate the operation to be performed and the data to be operated on. *Addressing mode* is used to determine the location of the data operand. The operands specified in SAM8 instructions may be condition codes, immediate data, or a location in the register file, program memory, or data memory.

The SAM8 instruction set supports seven explicit addressing modes. Not all of these addressing modes are available for each instruction:

- Register (R)
- Indirect Register (IR)
- Indexed (X)
- Direct Address (DA)
- Indirect Address (IA)
- Relative Address (RA)
- Immediate (IM)

REGISTER ADDRESSING MODE (R)

In Register addressing mode, the operand is the content of a specified register or register pair (see Figure 3-1). Working register addressing differs from Register addressing as it uses a register pointer to specify an 8-byte working register space in the register file and an 8-bit register within that space (see Figure 3-2).

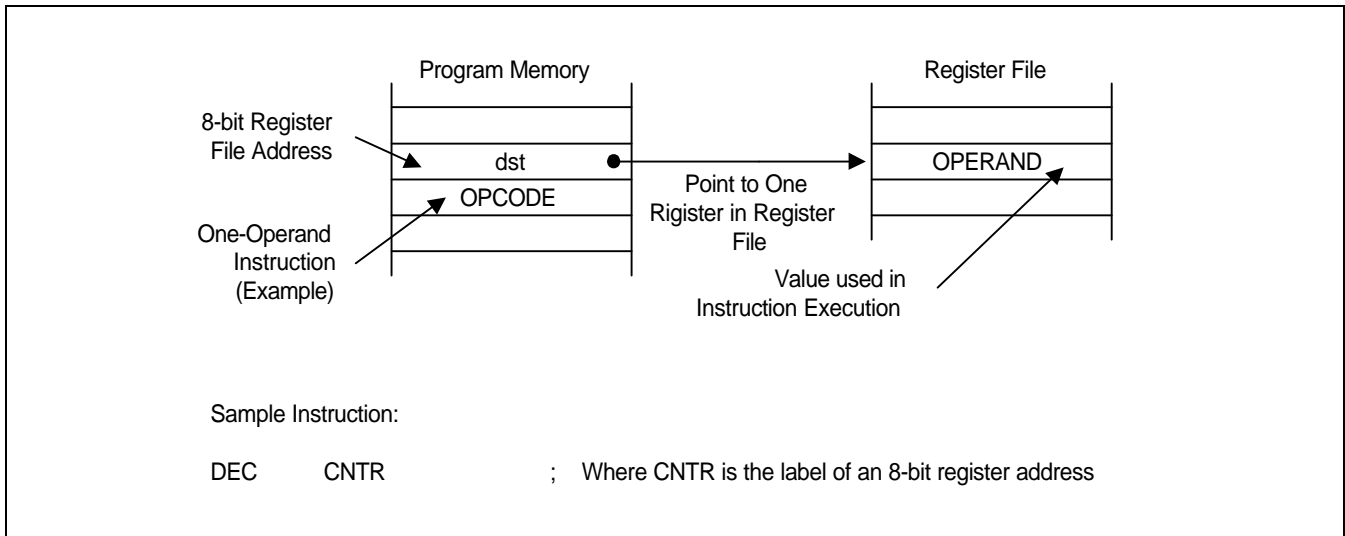


Figure 3-1. Register Addressing

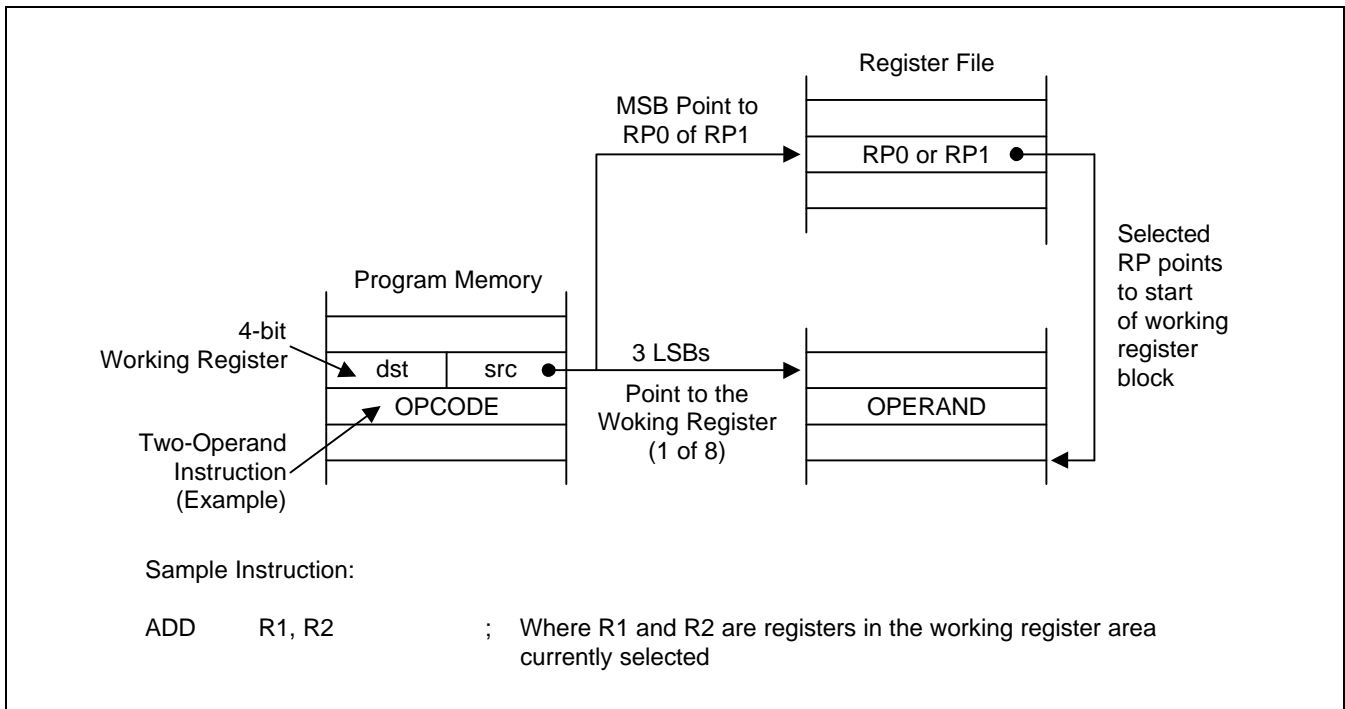


Figure 3-2. Working Register Addressing

INDIRECT REGISTER ADDRESSING MODE (IR)

In Indirect Register (IR) addressing mode, the content of the specified register or register pair is the address of the operand. Depending on the instruction used, the actual address may point to a register in the register file, to program memory (ROM), or to an external memory space, if implemented (see Figures 3-3 through 3-6).

You can use any 8-bit register to indirectly address another register. Any 16-bit register pair can be used to indirectly address another memory location. Remember, however, that locations C0H–FFH in set 1 cannot be accessed using Indirect Register addressing mode.

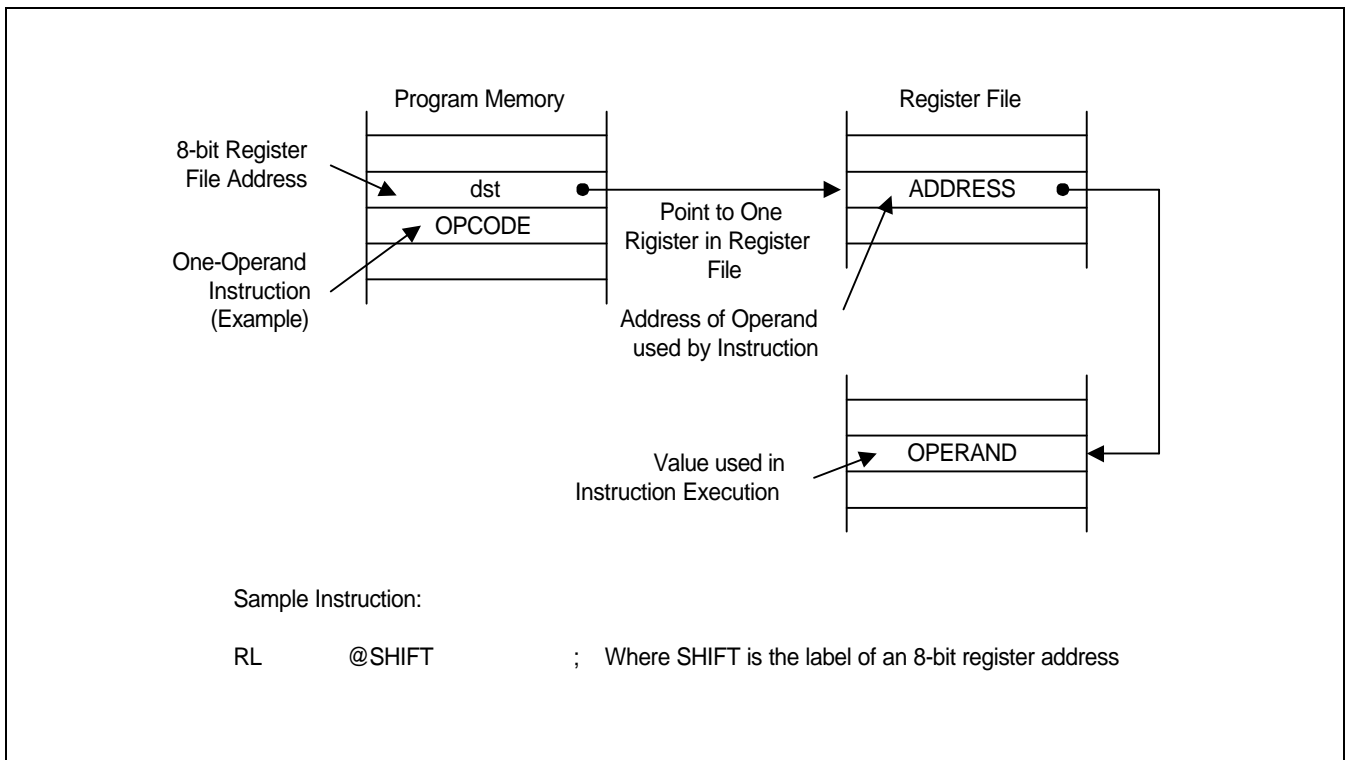


Figure 3-3. Indirect Register Addressing to Register File

INDIRECT REGISTER ADDRESSING MODE (Continued)

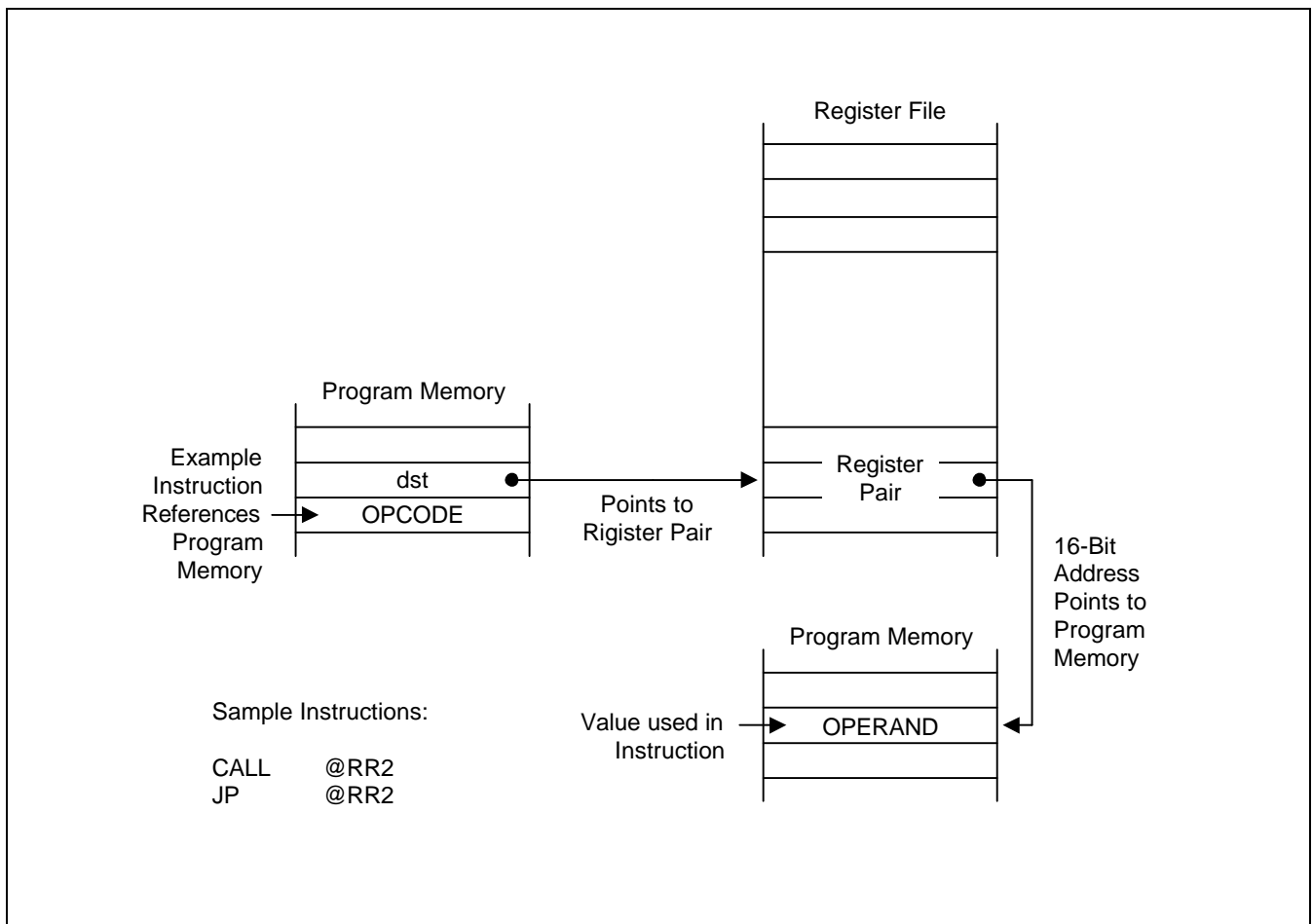


Figure 3-4. Indirect Register Addressing to Program Memory

INDIRECT REGISTER ADDRESSING MODE (Continued)

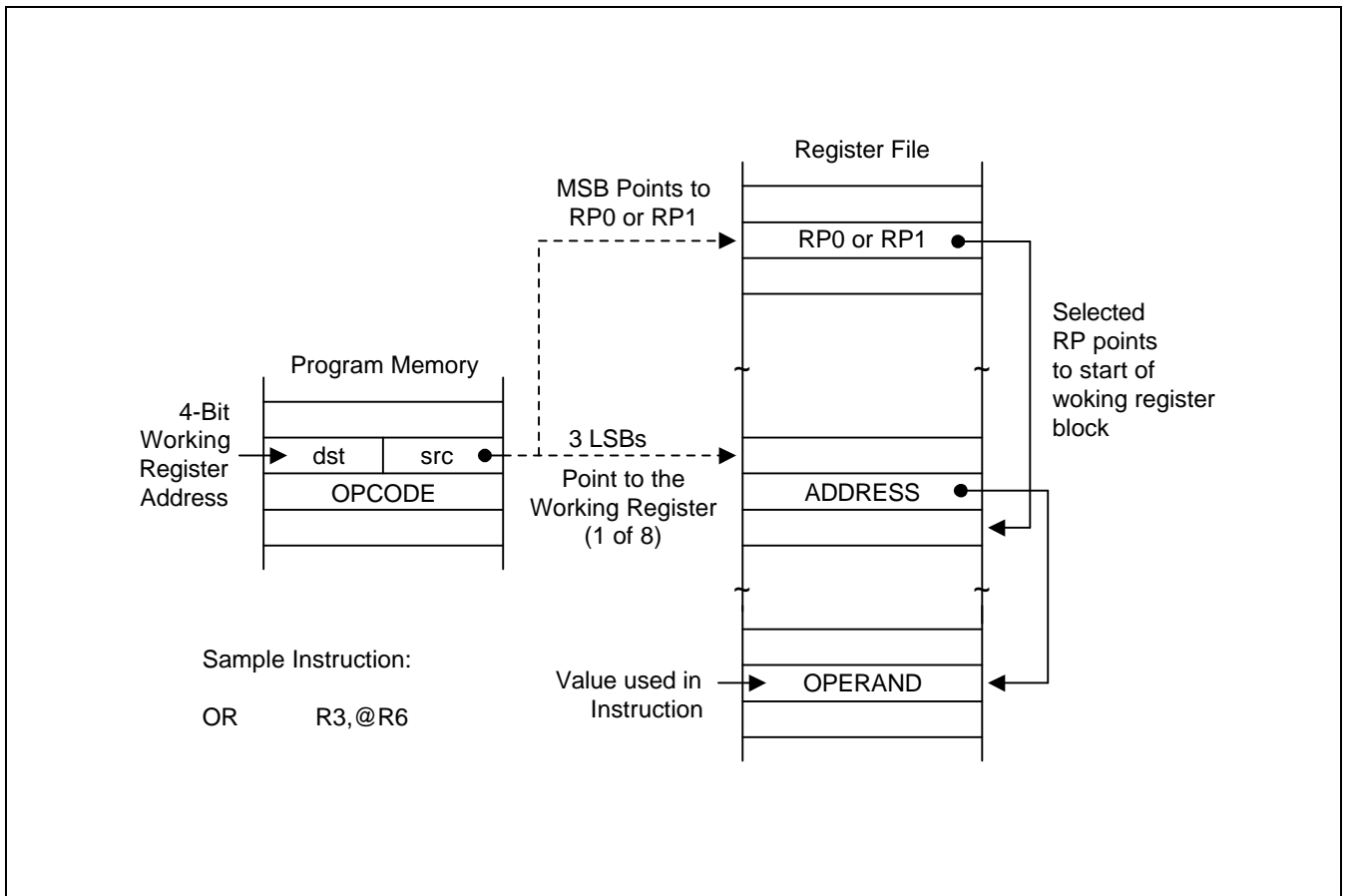


Figure 3-5. Indirect Working Register Addressing to Register File

INDIRECT REGISTER ADDRESSING MODE (Concluded)

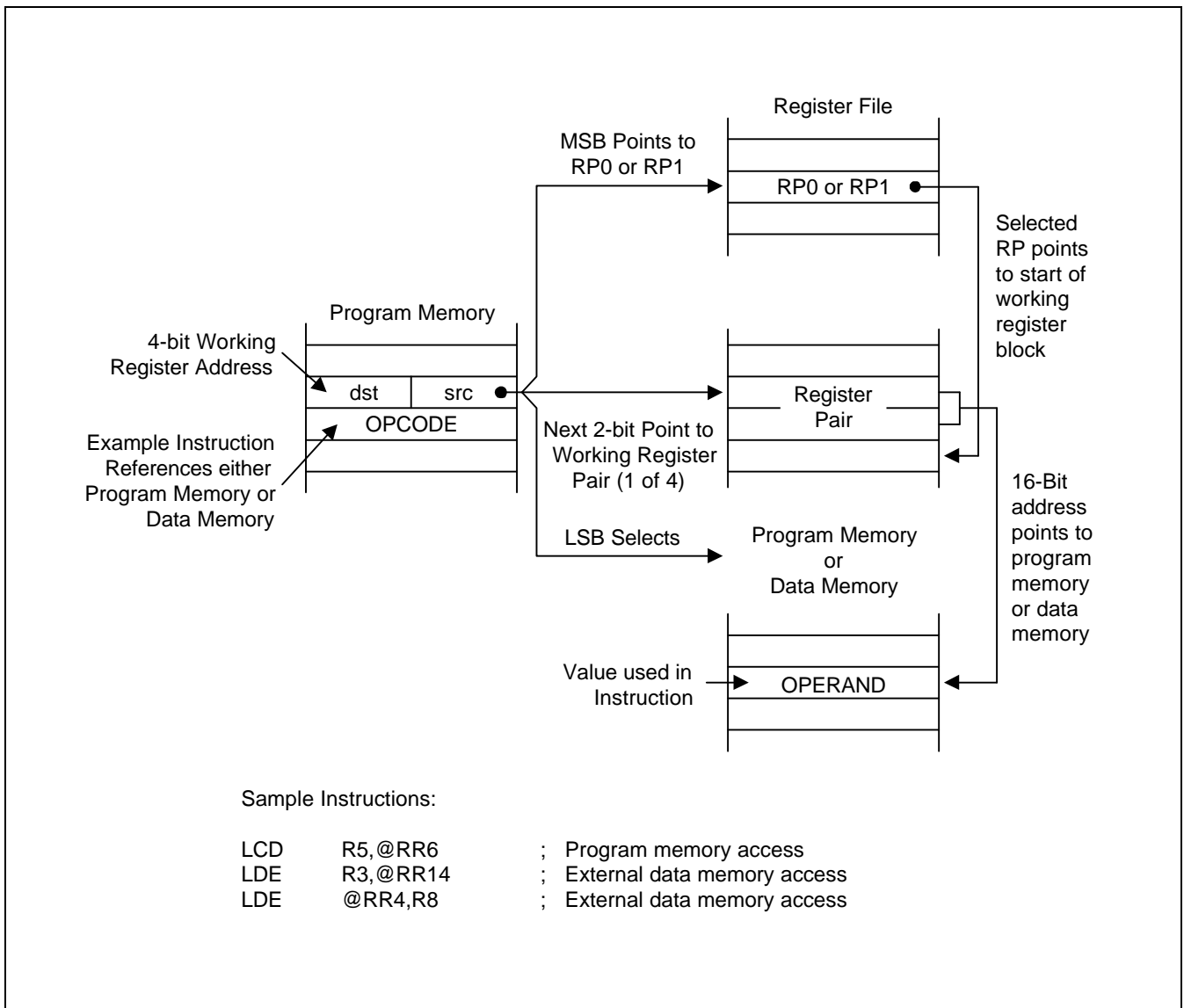


Figure 3-6. Indirect Working Register Addressing to Program or Data Memory

INDEXED ADDRESSING MODE (X)

Indexed (X) addressing mode adds an offset value to a base address during instruction execution in order to calculate the effective operand address (see Figure 3-7). You can use Indexed addressing mode to access locations in the internal register file or in external memory (if implemented). You cannot, however, access locations C0H–FFH in set 1 using Indexed addressing.

In short offset Indexed addressing mode, the 8-bit displacement is treated as a signed integer in the range from –128 to +127. This applies to external memory accesses only (see Figure 3-8).

For register file addressing, an 8-bit base address provided by the instruction is added to an 8-bit offset contained in a working register. For external memory access, the base address is stored in the working register pair designated in the instruction. The 8-bit or 16-bit offset given in the instruction is then added to the base address (see Figure 3-9).

The only instruction that supports Indexed addressing mode for the internal register file is the Load instruction (LD). The LDC and LDE instructions support Indexed addressing mode for internal program memory and for external data memory (if implemented).

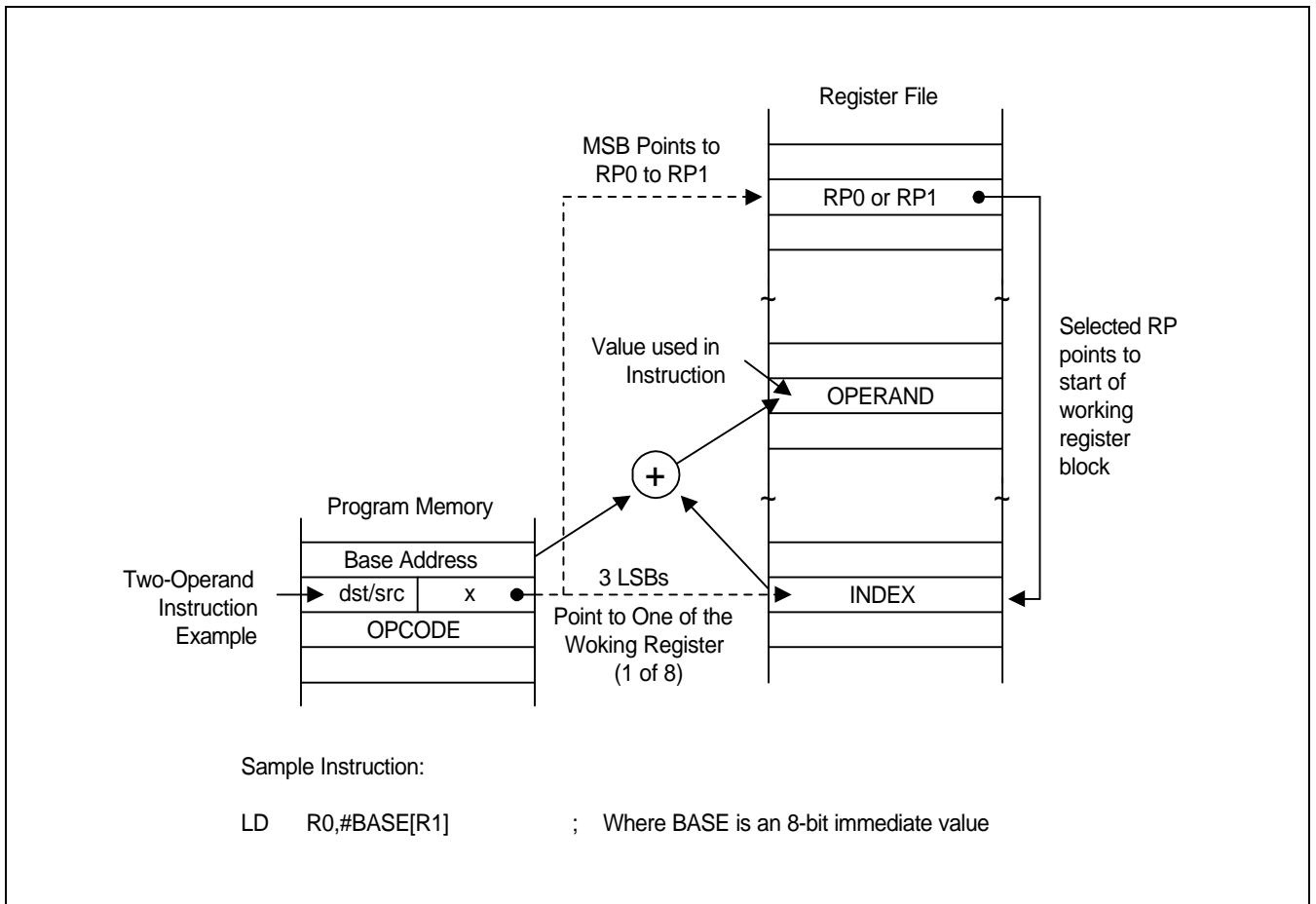


Figure 3-7. Indexed Addressing to Register File

INDEXED ADDRESSING MODE (Continued)

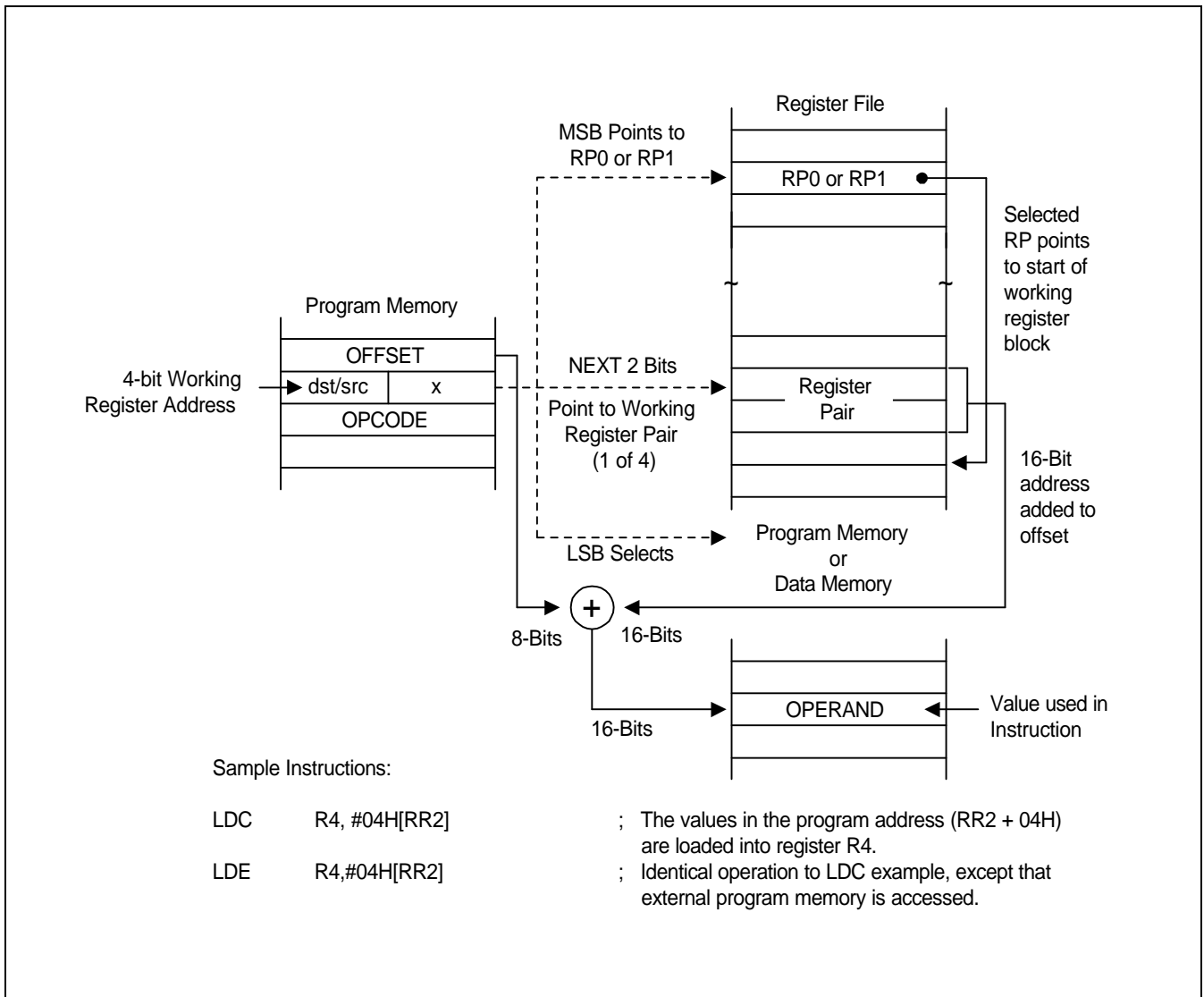


Figure 3-8. Indexed Addressing to Program or Data Memory with Short Offset

INDEXED ADDRESSING MODE (Concluded)

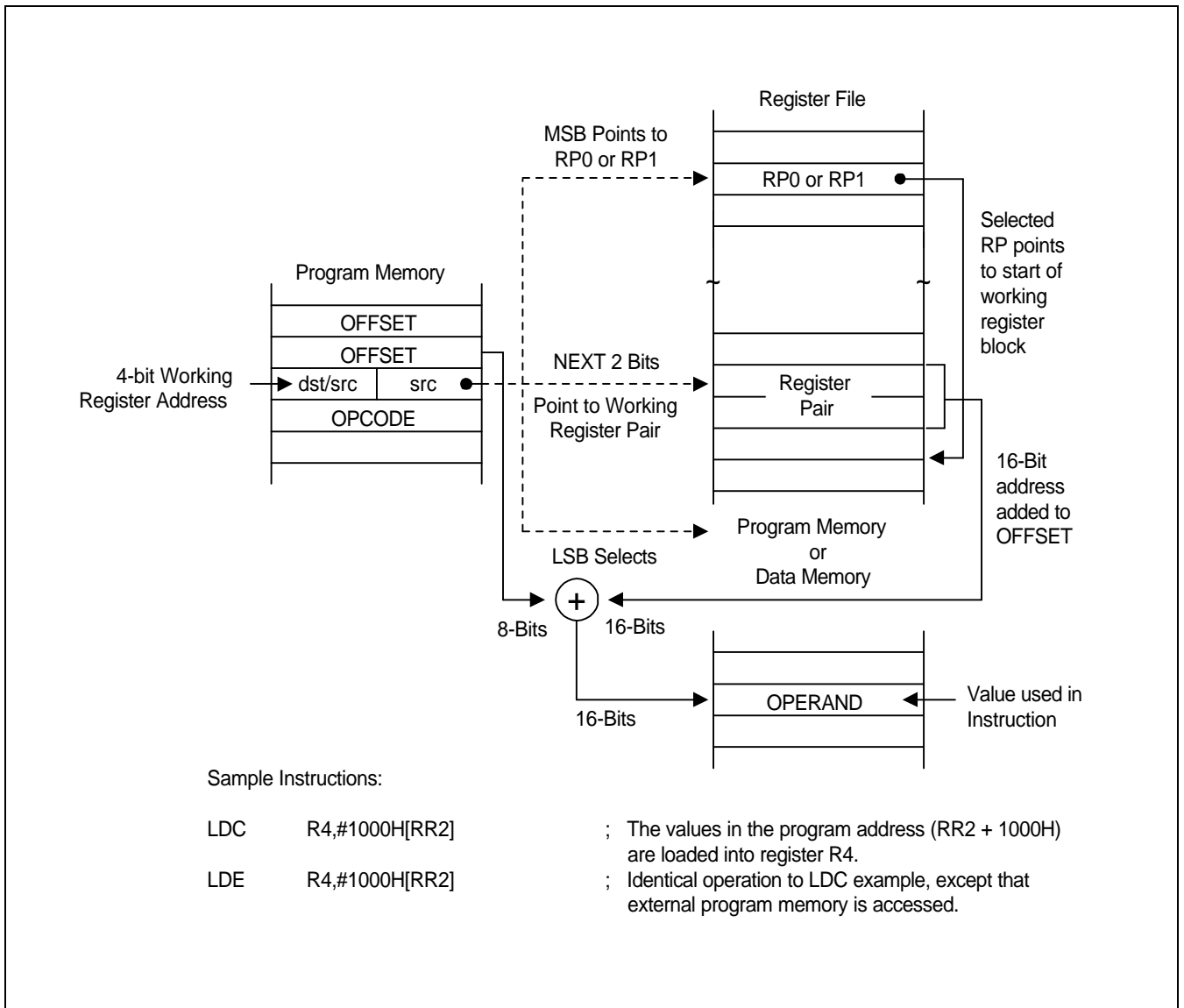


Figure 3-9. Indexed Addressing to Program or Data Memory

DIRECT ADDRESS MODE (DA)

In Direct Address (DA) mode, the instruction provides the operand's 16-bit memory address. Jump (JP) and Call (CALL) instructions use this addressing mode to specify the 16-bit destination address that is loaded into the PC whenever a JP or CALL instruction is executed.

The LDC and LDE instructions can use Direct Address mode to specify the source or destination address for Load operations to program memory (LDC) or to external data memory (LDE), if implemented.

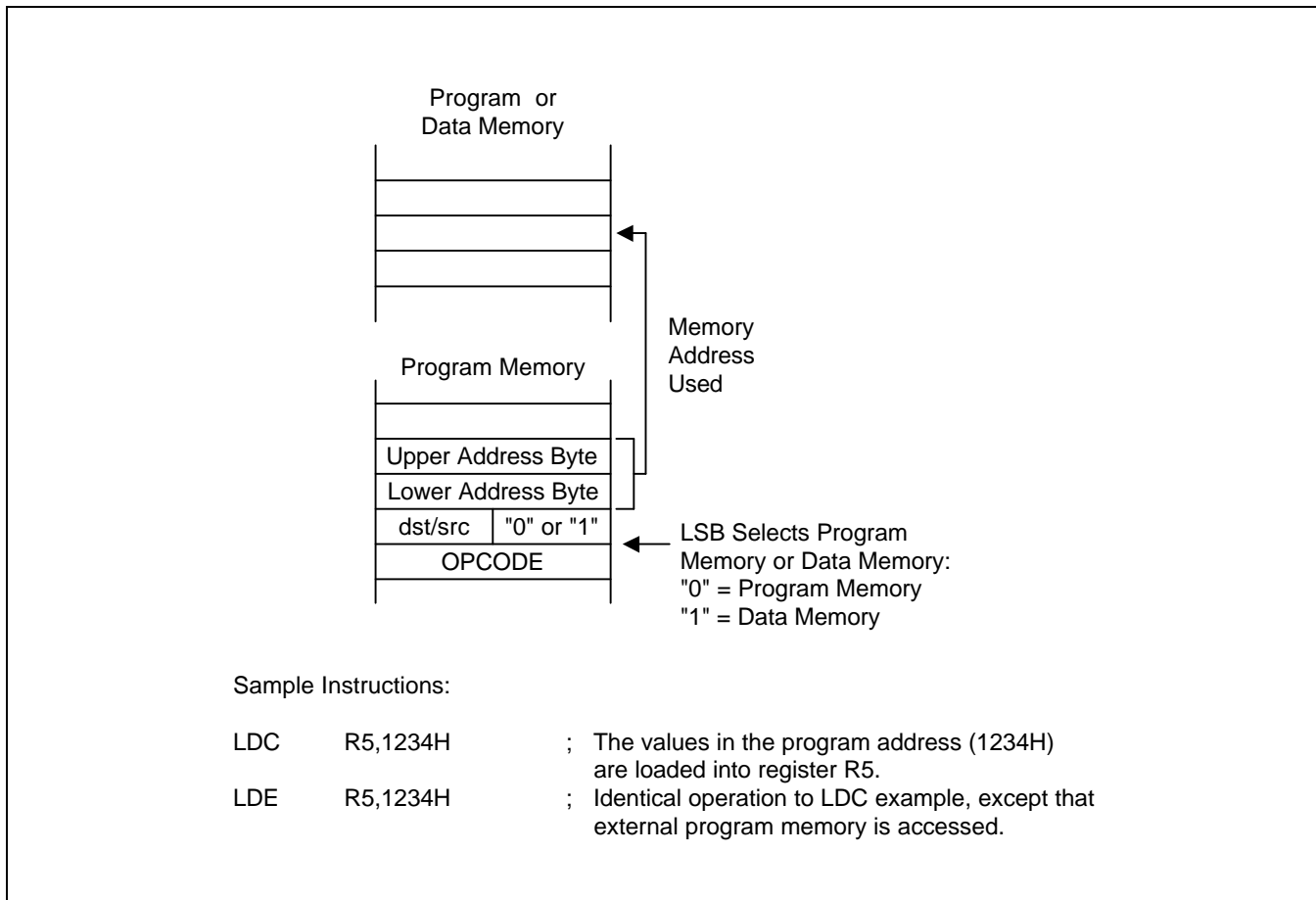


Figure 3-10. Direct Addressing for Load Instructions

DIRECT ADDRESS MODE (Continued)

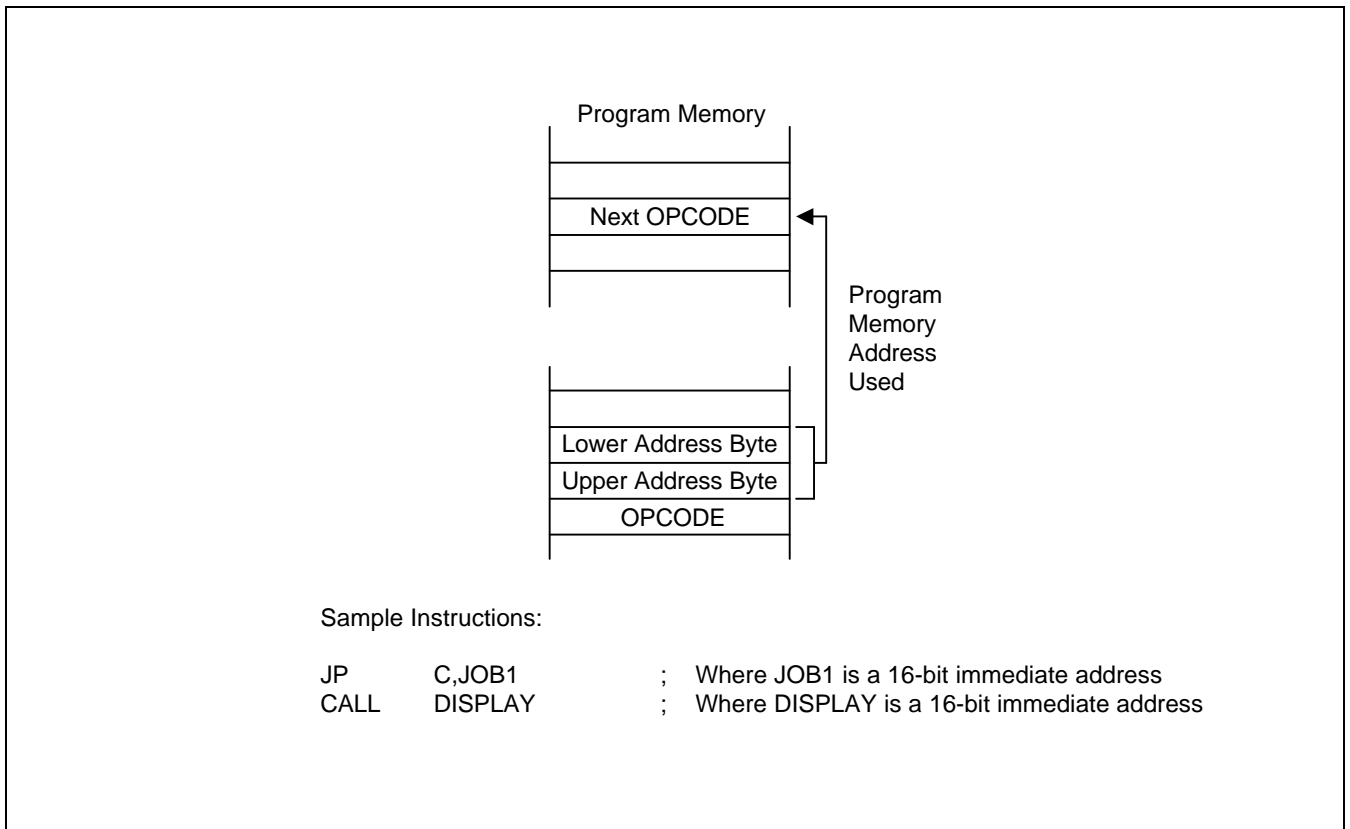


Figure 3-11. Direct Addressing for Call and Jump Instructions

INDIRECT ADDRESS MODE (IA)

In Indirect Address (IA) mode, the instruction specifies an address located in the lowest 256 bytes of the program memory. The selected pair of memory locations contains the actual address of the next instruction to be executed. Only the CALL instruction can use Indirect Address mode.

Because Indirect Address mode assumes that the operand is located in the lowest 256 bytes of program memory, only an 8-bit address is supplied in the instruction. The upper bytes of the destination address are assumed to be all zeros.

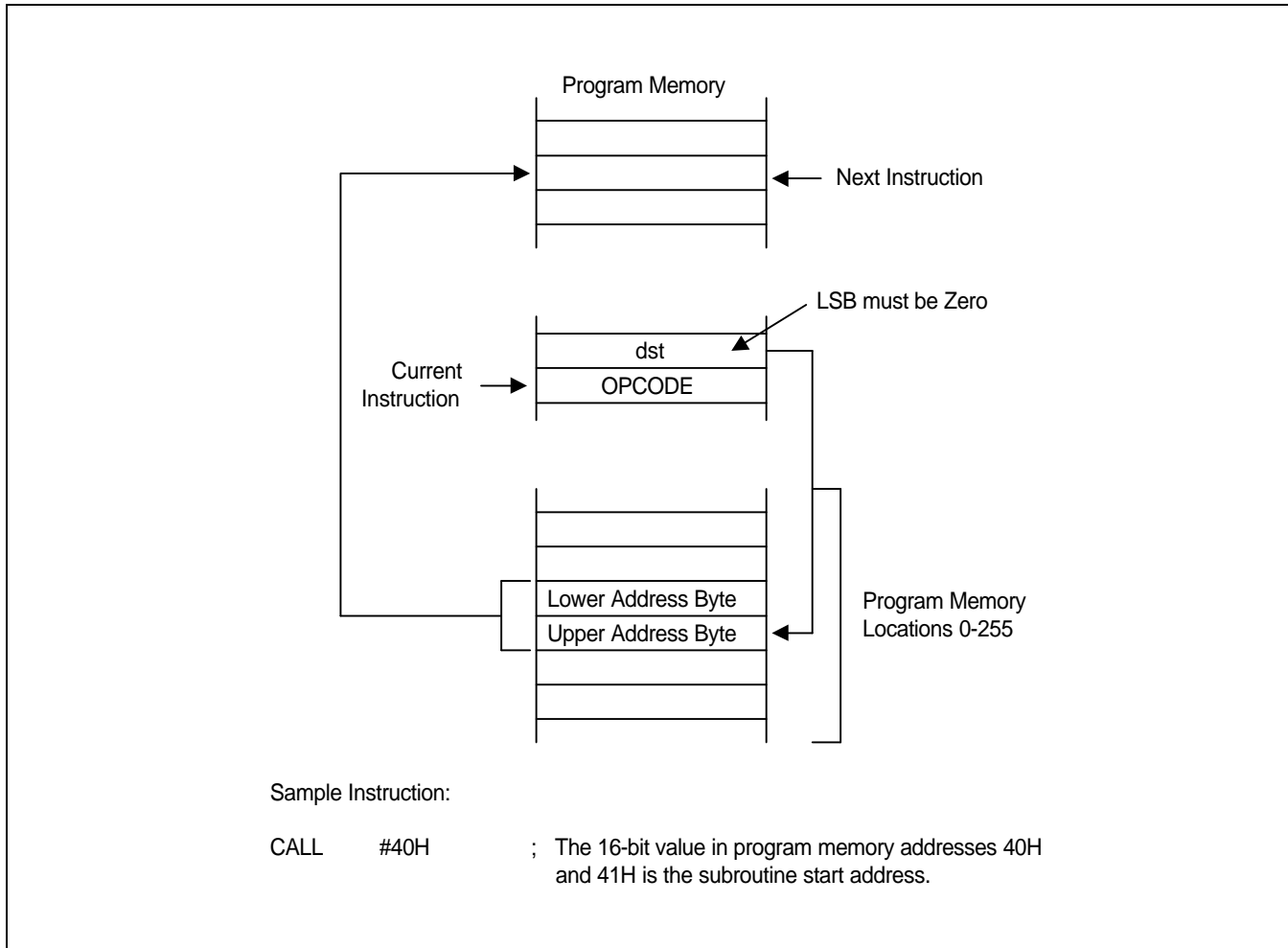


Figure 3-12. Indirect Addressing

RELATIVE ADDRESS MODE (RA)

In Relative Address (RA) mode, a two's-complement signed displacement between -128 and $+127$ is specified in the instruction. The displacement value is then added to the current PC value. The result is the address of the next instruction to be executed. Before this addition occurs, the PC contains the address of the next instruction immediately following the current instruction.

Several program control instructions use the Relative Address mode to perform conditional jumps. The instructions that support RA addressing are BTJRF, BTJRT, DJNZ, CPIJE, CPIJNE, and JR.

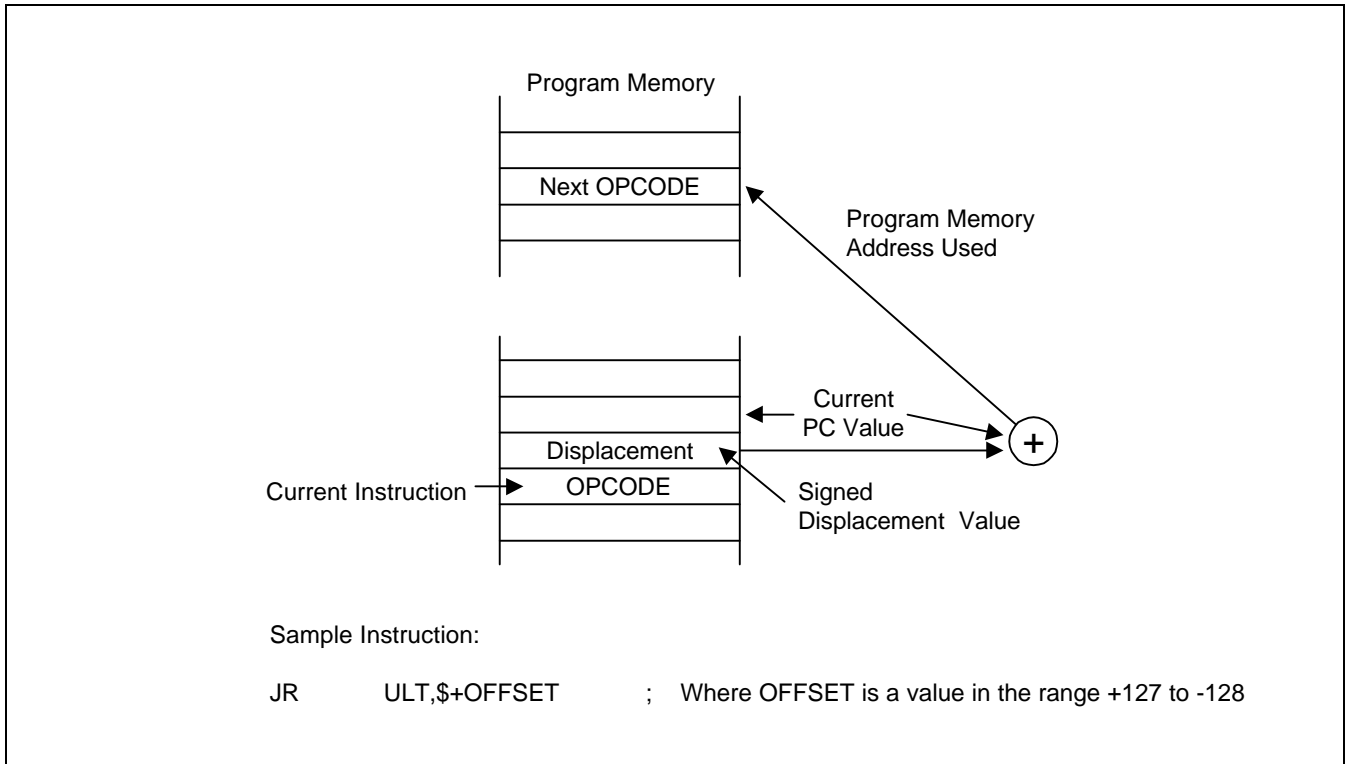


Figure 3-13. Relative Addressing

IMMEDIATE MODE (IM)

In Immediate (IM) mode, the operand value used in the instruction is the value supplied in the operand field itself. The operand may be one byte or one word in length, depending on the instruction used. Immediate addressing mode is useful for loading constant values into registers.

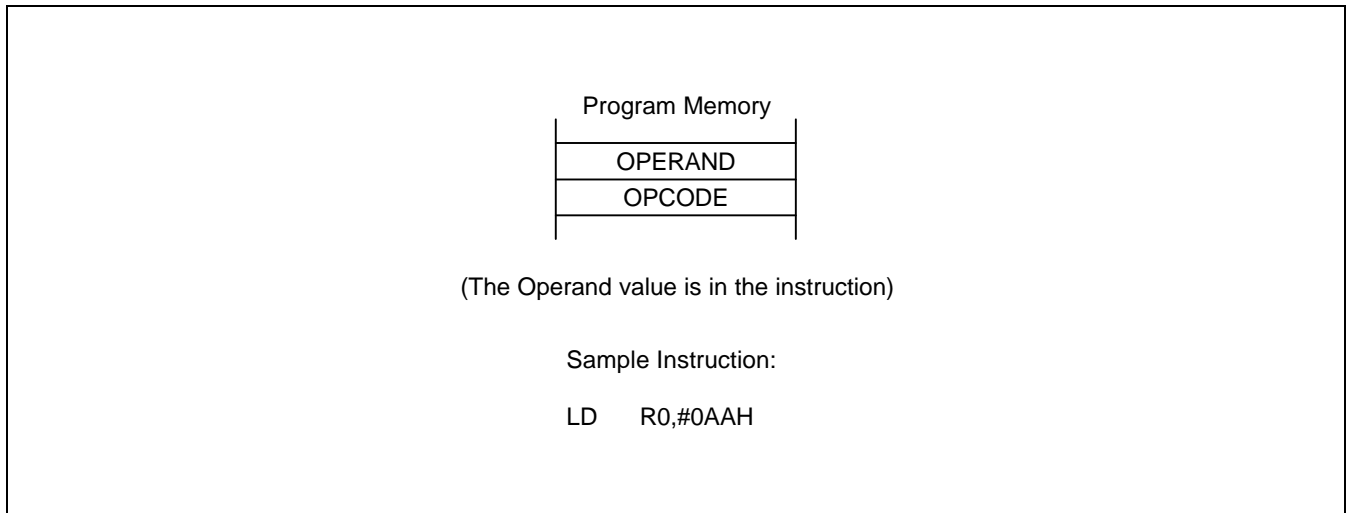


Figure 3-14. Immediate Addressing

4 CONTROL REGISTERS

OVERVIEW

In this chapter, detailed descriptions of the S3C8639/C863A/C8647 control registers are presented in an easy-to-read format. You can use this chapter as a quick-reference source when writing application programs.

The locations and read/write characteristics of all mapped registers in the S3C8639/C863A/C8647 register files are presented in Tables 4-1, 4-2, and 4-3. The hardware reset values for these registers are described in Chapter 8, "RESET and Power-Down."

Figure 4-1 illustrates the important features of the standard register description format.

Control register descriptions are arranged in alphabetical order according to register mnemonic. More detailed information about control registers is presented in the context of the specific peripheral hardware descriptions in Part II of this manual.

Table 4-1. Set 1 Registers

Register Name	Mnemonic	Decimal	Hex	R/W
Timer M0 counter register	TM0CNT	208	D0H	R (note)
Timer M0 data register	TM0DATA	209	D1H	R (note)
Timer M0 control register	TM0CON	210	D2H	R/W
Basic timer control register	BTCON	211	D3H	R/W
Clock control register	CLKCON	212	D4H	R/W
System flags register	FLAGS	213	D5H	R/W
Register pointer 0	RP0	214	D6H	R/W
Register pointer 1	RP1	215	D7H	R/W
Stack pointer (high byte)	SPH	216	D8H	R/W
Stack pointer (low byte)	SPL	217	D9H	R/W
Instruction pointer (high byte)	IPH	218	DAH	R/W
Instruction pointer (low byte)	IPL	219	DBH	R/W
Interrupt request register	IRQ	220	DCH	R (note)
Interrupt mask register	IMR	221	DDH	R/W
System mode register	SYM	222	DEH	R/W
Page pointer register	PP	223	DFH	R/W

NOTE: You cannot use a read-only register (TM0CNT, TM0DATA, IRQ) as a destination field for the instructions OR, AND, LD, or LDB.

Table 4-2. Set 1, Bank 0 Registers

Register Name	Mnemonic	Decimal	Hex	R/W
Port 0 data register	P0	224	E0H	R/W
Port 1 data register ⁽²⁾	P1	225	E1H	R/W
Port 2 data register	P2	226	E2H	R/W
Port 3 data register	P3	227	E3H	R/W
Port 0 control register (high byte)	P0CONH	228	E4H	R/W
Port 0 control register (low byte)	P0CONL	229	E5H	R/W
Port 1 control register ⁽²⁾	P1CON	230	E6H	R/W
Port 2 control register (high byte)	P2CONH	231	E7H	R/W
Port 2 control register (low byte)	P2CONL	232	E8H	R/W
Port 3 control register (high byte)	P3CONH	233	E9H	R/W
Port 3 control register (low byte)	P3CONL	234	EAH	R/W
Port 0 external interrupt control register	POINT	235	EBH	R/W
Watchdog time control register	WDTCON	236	ECH	R/W
Sync control register 0	SYNCON0	237	EDH	R/W
Sync control register 1	SYNCON1	238	EEH	R/W
Sync control register 2	SYNCON2	239	EFH	R/W
Sync port read data register	SYNCRD	240	F0H	R ⁽¹⁾
Timer M1 counter register (high byte)	TM1CNTH	241	F1H	R ⁽¹⁾
Timer M1 counter register (low byte)	TM1CNCL	242	F2H	R ⁽¹⁾
Timer M1 data register (high byte)	TM1DATAH	243	F3H	R ⁽¹⁾
Timer M1 data register (low byte)	TM1DATAL	244	F4H	R ⁽¹⁾
Timer M1 control register	TM1CON	245	F5H	R/W
Timer M2 control register	TM2CON	246	F6H	R/W
A/D converter control register	ADCON	247	F7H	R/W
A/D converter data register	ADDATA	248	F8H	R ⁽¹⁾
Pseudo Hsync generation register	PHGEN	249	F9H	R/W
Pseudo Vsync generation register	PVGEN	250	FAH	R/W
Stop control register	STOPCON	251	FBH	R/W
Location FCH is not mapped				
Basic timer counter register	BTCNT	253	FDH	R ⁽¹⁾
External memory timing register	EMT	254	FEH	R/W
Interrupt priority register	IPR	255	FFH	R/W

NOTES:

1. You cannot use a read-only register (SYNCRD, TM1CNTH, TM1CNCL, TM1DATAH, TM1DATAL, ADDATA, BTCNT) as a destination field for the instructions OR, AND, LD, or LDB.
2. Not used for the S3C8647.

Table 4-3. Set 1, Bank 1 Registers

Register Name	Mnemonic	Decimal	Hex	R/W
PWM 0 data register	PWM0	224	E0H	R/W
PWM 1 data register	PWM1	225	E1H	R/W
PWM 2 data register	PWM2	226	E2H	R/W
PWM 3 data register	PWM3	227	E3H	R/W
PWM 4 data register	PWM4	228	E4H	R/W
PWM 5 data register	PWM5	229	E5H	R/W
PWM 6 data register ⁽²⁾	PWM6	230	E6H	R/W
PWM control register	PWMCON	231	E7H	R/W
PWM counter register	PWMCNT	232	E8H	R ⁽¹⁾
DDC control register	DCON	233	E9H	R/W
DDC address register 0	DAR0	234	EAH	R/W
DDC clock control register	DCCR	235	EBH	R/W
DDC control/status register 0	DCSR0	236	ECH	R/W
DDC control/status register 1	DCSR1	237	EDH	R/W
DDC address register 1	DAR1	238	EEH	R/W
Transmit prebuffer data register	TBDR	239	EFH	R/W
Receive prebuffer data register	RBDR	240	F0H	R ⁽¹⁾
DDC data shift register	DDSR	241	F1H	R/W
Slave IIC-Bus control/status register ⁽²⁾	SICSR	243	F2H	R/W
Slave IIC-Bus address register ⁽²⁾	SIAR	242	F3H	R/W
Slave IIC-Bus data shift register ⁽²⁾	SIDSR	244	F4H	R/W
Locations F5H–FFH are not mapped				

NOTES:

1. You cannot use a read-only register (PWMCNT, RBDR) as a destination field for the instructions OR, AND, LD, or LDB.
2. Not used for the S3C8647.

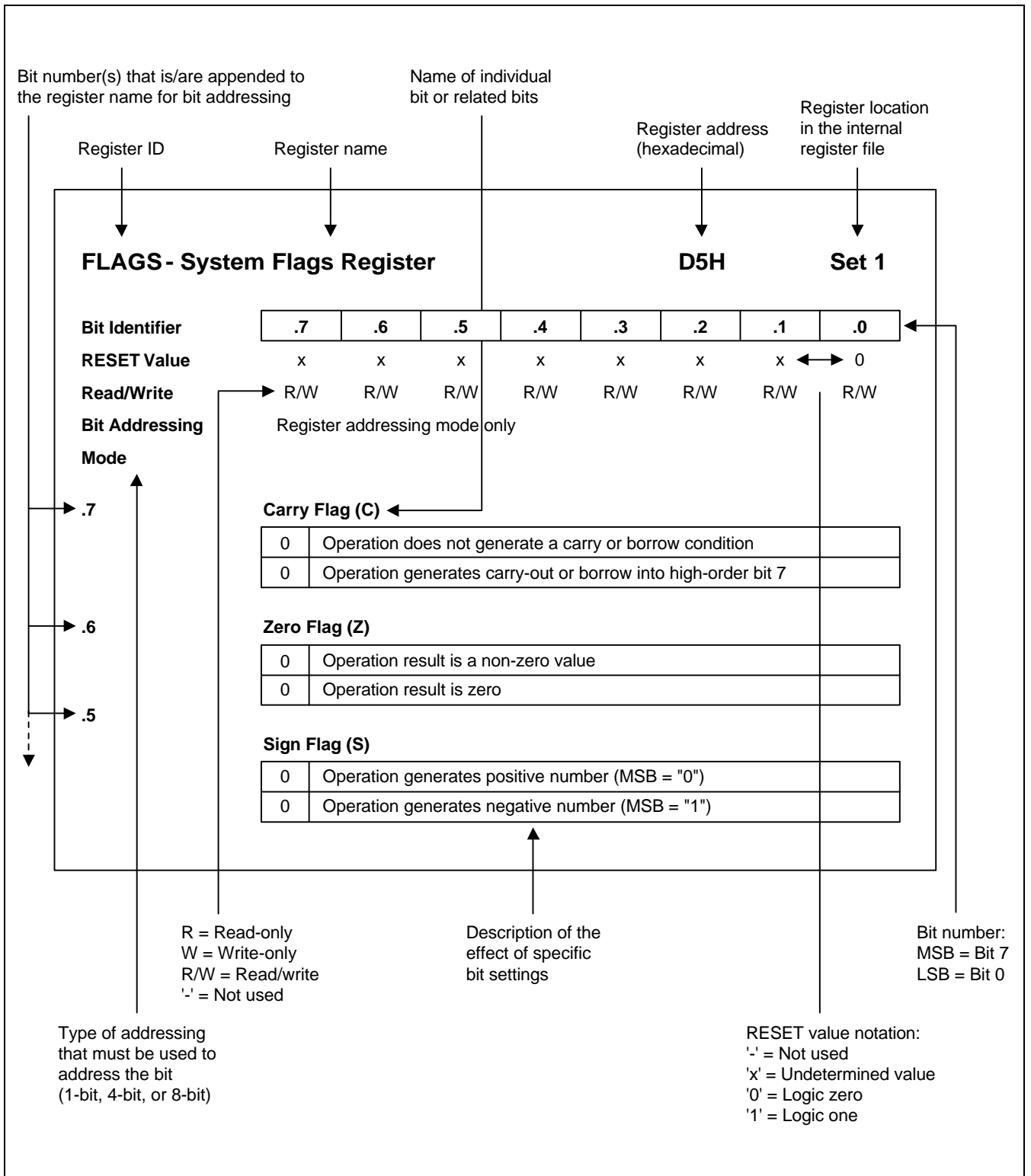


Figure 4-1. Register Description Format

ADCON — A/D Converter Control Register

F7H

Set 1, Bank 0

Bit Identifier	.7	.6	.5	.4	.3	.2	.1	.0
RESET Value	–	0	0	0	0	0	0	0
Read/Write	–	R/W	R/W	R/W	R	R/W	R/W	R/W
Addressing Mode	Register addressing mode only							

.7

Not used for the S3C8639/C863A/C8647

.6 and .4**Analog Input Pin Selection Bits**

0	0	0	ADC0 (Port 3.0)
0	0	1	ADC1 (Port 3.1)
0	1	0	ADC2 (Port 3.2)
0	1	1	ADC3 (Port 3.3)
Others			Not used

.3**End-of Conversion (EOC) Flag (read-only)**

0	Conversion not complete
1	Conversion is complete

.2 and .1**Clock Source Selection Bits**

0	0	$f_{OSC}/16$
0	1	$f_{OSC}/8$
1	0	$f_{OSC}/4$
1	1	f_{OSC}

.0**Start or Enable Bit**

0	Disable operation
1	Start operation

BTCON — Basic Timer Control Register

D3H

Set 1

Bit Identifier	.7	.6	.5	.4	.3	.2	.1	.0
RESET Value	0	0	0	0	0	0	0	0
Read/Write	R/W	R/W	R/W	R/W	R/W	R/W	R/W	R/W
Addressing Mode	Register addressing mode only							

.7–.4

Watchdog Timer Function Disable Bits

1	0	1	0	Disable watchdog timer function
Others				Enable watchdog timer function

.3 and .2

Basic Timer Input Clock Selection Bits

0	0	$f_{OSC}/4096$
0	1	$f_{OSC}/1024$
1	0	$f_{OSC}/128$
1	1	Invalid setting; not used for the S3C8639/C863A/C8647

.1

Basic Timer Counter Clear Bit (1)

0	No effect
1	Clear the basic timer counter value

.0

Clock Frequency Divider Clear Bit for Basic Timer and Timer M0 (2)

0	No effect
1	Clear basic timer and timer M0 frequency dividers

NOTES:

- When you write a "1" to BTCON.1, the basic timer counter value is cleared to "00H". Immediately after the write operation, the BTCON.1 value is automatically cleared to "0".
- When you write a "1" to BTCON.0, the corresponding frequency divider is cleared to "00H". Immediately after the write operation, the BTCON.0 value is automatically cleared to "0".

CLKCON — System Clock Control Register

D4H

Set 1

Bit Identifier	.7	.6	.5	.4	.3	.2	.1	.0
RESET Value	0	0	0	0	0	0	0	0
Read/Write	R/W	R/W	R/W	R/W	R/W	R/W	R/W	R/W
Addressing Mode	Register addressing mode only							

.7	Oscillator IRQ Wake-up Function Enable Bit		
	0	Enable IRQ for main system oscillator wake-up in power-down mode	
1	Disable IRQ for main system oscillator wake-up in power-down mode		

.6 and .5	Main Oscillator Stop Control Bits		
	0	0	No effect
	0	1	No effect
	1	0	Stop main oscillator
1	1	No effect	

.4 and .3	CPU Clock (System Clock) Selection Bits ⁽¹⁾		
	0	0	Divide by 16 ($f_{OSC}/16$)
	0	1	Divide by 8 ($f_{OSC}/8$)
	1	0	Divide by 2 ($f_{OSC}/2$)
1	1	Non-divided clock (f_{OSC}) ⁽²⁾	

.2–.0	Subsystem Clock Selection Bits ⁽³⁾		
	1	0	1
Others			Select main system clock (MCLK)

NOTES:

- After a reset, the slowest clock (divided by 16) is selected as the system clock. To select faster clock speeds, load the appropriate values to CLKCON.3 and CLKCON.4.
- If the oscillator frequency is higher than 12 MHz, this selection is invalid.
- These selection bits are required only for systems that have a main clock and a subsystem clock. S3C8639/C863A/C8647 use only the main oscillator clock circuit. For this reason, the setting "101B" is invalid.

DAR0 — DDC Address Register 0

EAH

Set 1, Bank 1

Bit Identifier	.7	.6	.5	.4	.3	.2	.1	.0
RESET Value	1	0	1	0	–	–	–	–
Read/Write	R/W	R/W	R/W	R/W	–	–	–	–
Addressing Mode	Register addressing mode only							

.7–4**4-Slave Address Bits**

These bits are operate only when receive the slave address. Read enable anytime. Write enable when DCSR0.4 is "0".

.3–0

Not used for the S3C8639/C863A/C8647

DAR1 — DDC Address Register 1

EEH

Set 1, Bank 1

Bit Identifier	.7	.6	.5	.4	.3	.2	.1	.0
RESET Value	x	x	x	x	x	x	x	–
Read/Write	R/W	R/W	R/W	R/W	R/W	R/W	R/W	–
Addressing Mode	Register addressing mode only							

.7–1**7-Slave Address Bits**

These bits are operate only when receive the slave address. Read enable anytime. Write enable when DCSR0.4 is "0".

.0

Not used for the S3C8639/C863A/C8647

DCCR — DDC Clock Control Register

EBH

Set 1, Bank 1

Bit Identifier	.7	.6	.5	.4	.3	.2	.1	.0
RESET Value	0	0	0	0	1	1	1	1
Read/Write	R/W	R/W	R/W	R/W	R/W	R/W	R/W	R/W
Addressing Mode	Register addressing mode only							

.7 Transmit acknowledgement enable mode when this bit is "1".

.6 **Tx Clock Selection Bit**

0	$f_{OSC}/10$
1	$f_{OSC}/256$

.5 **DDC Module Interrupt Enable Bit**

0	Disable interrupt
1	Enable interrupt

.4 **DDC Module Interrupt Pending Bit**

0	When write "0" to this bit (write "1" has no effect)
0	When DCSR0.4 is "0"
1	When slave address match occurred
1	When arbitration lost (master mode)
1	When an 1-byte transmit or receive operation is terminated
1	As soon as the DDC1 mode is enabled after the prebuffer is used

.3–.0 **Transmit Clock 4-Bit Prescaler Bits (CCR3–CCR0)**

SCL clock = $IICLK/(CCR < 3: 0 > +1)$ where, IICLK is $f_{OSC}/10$ when DCCR.6 is "0" IICLK is $f_{OSC}/256$ when DCCR.6 is "1"	
---	--

DCON — DDC Control Register**E9H****Set 1, Bank 1**

Bit Identifier	.7	.6	.5	.4	.3	.2	.1	.0
RESET Value	–	–	–	–	1	0	0	0
Read/Write	–	–	–	–	R/W	R/W	R/W	R/W
Addressing Mode	Register addressing mode only							

.7–.4

Not used for the S3C8639/C863A/C8647.

.3**Tx/Rx Pre-Buffer Data Registers Enable Bit**

0	Normal IIC-bus mode (Pre-buffer data registers are not used.)
1	Pre-buffer data registers enable mode. This bit is set by writing "1" or by a reset.

.2**DDC Address Match Bit**

0	When start or stop or reset
1	When DDC received address matches to DAR0 register

.1**DDC1 Tx Mode Enable Bit**

0	IIC-bus interface mode (SCL pin is also selected)
1	DDC1 Tx mode (VCLK pin is also selected)

.0**SCL Pin Falling Edge Detection Flag ^(note)**

0	SCL pin level remains high after a reset (when read)
0	<i>This bit can be cleared by S/W written "0" (when write)</i>
1	Falling edge can be detected at the SCL pin after a reset or after this flag is cleared by software (when read) After start condition, the clock source of DDC module automatically changes from VCLK (Vsync-I) to SCL0 (DCON.1 is "1" to "0") and slave address match possible.
1	<i>No effect (when write)</i>

NOTE: When DDC interrupt is occurred, the SCL line is not pull-down in the DDC1 mode and Tx/Rx pre-buffer data registers enable bit, DCON.3 is "1" (only slave mode).

DCSR0 — DDC Control/Status Register 0

ECH

Set 1, Bank 1

Bit Identifier	.7	.6	.5	.4	.3	.2	.1	.0
RESET Value	0	0	0	0	0	0	–	0
Read/Write	R/W	R/W	R/W	R/W	R	R	–	R
Addressing Mode	Register addressing mode only							

.7–.6

Master/Slave, Tx/Rx Mode Selection Bits

0	0	Slave receiver mode (Default mode)
0	1	Slave transmitter mode
1	0	Master receiver mode
1	1	Master transmitter mode

.5

Bus Busy Bit

0	IIC-bus is not busy (when read), stop condition generation (when write)
1	IIC-bus is busy (when read), start condition generation (when write)

.4

DDC Module Enable Bit

0	Disable DDC module
1	Enable DDC module

.3

Arbitration Lost Bit

0	Bus arbitration status okay
1	Bus arbitration failed during serial I/O

.2

DDC Address/Data classification Bit

0	When reset or start/stop condition is generated, or when the received data is in the data field.
1	When the received slave address matches to DAR0, DAR1 register

.1

Not used for the S3C8639/C863A/C8647

.0

Received Acknowledgement (ACK) Bit

0	ACK is received
1	ACK is not received

NOTE: Bits 3–0 are read only.

DCSR1 — DDC Control/Status Register 1

EDH

Set 1, Bank 1

Bit Identifier	.7	.6	.5	.4	.3	.2	.1	.0
RESET Value	–	–	–	–	–	0	1	0
Read/Write	–	–	–	–	–	R/W	R/W	R/W
Addressing Mode	Register addressing mode only							

.7–.3

Not used for the S3C8639/C863A/C8647

.2

Stop Condition Detection Bit

0	When it writes "0" to this bit, it is reset or master mode.
1	When a STOP condition is detected after START and slave address reception

.1

Data Buffer Empty Status Bit

0	When the CPU writes the transmitted data into the TBDR register
1	When the data of the TBDR register is loads to the DDSR register or when a STOP condition is detected in DCSR0.7-.6 (slave transmitter mode) = "01"

.0

Data Buffer Full Status Bit

0	When the CPU reads the received data from the RBDR register or STOP condition
1	When the data or matched address is transferred from the DDSR register to the RBDR register

DDSR — DDC Data Shift Register

F1H

Set 1, Bank 1

Bit Identifier	.7	.6	.5	.4	.3	.2	.1	.0
RESET Value	x	x	x	x	x	x	x	x
Read/Write	R/W	R/W	R/W	R/W	R/W	R/W	R/W	R/W
Addressing Mode	Register addressing mode only							

.7–.0

Write enable when DCSR0.4 is "1" and DCON.3 is "0". Read enable anytime.
--

EMT — External Memory Timing Register

FEH

Set 1, Bank 0

Bit Identifier	.7	.6	.5	.4	.3	.2	.1	.0
RESET Value	0	1	1	1	1	1	0	–
Read/Write	R/W	R/W	R/W	R/W	R/W	R/W	R/W	–
Addressing Mode	Register addressing mode only							

.7**External WAIT Input Function Enable Bit**

0	Disable WAIT input function for external device
1	Enable WAIT input function for external device

.6**Slow Memory Timing Enable Bit**

0	Disable slow memory timing
1	Enable slow memory timing

.5 and .4**Program Memory Automatic Wait Control Bits**

0	0	No wait (Normal Operation)
0	1	Wait one cycle
1	0	Wait two cycles
1	1	Wait three cycles

.3 and .2**Data Memory Automatic Wait Control Bits**

0	0	No wait (Normal Operation)
0	1	Wait one cycle
1	0	Wait two cycles
1	1	Wait three cycles

.1**Stack Area Selection Bit**

0	Select internal register file area
1	Select external data memory area

.0

Not used for the S3C8639/C863A/C8647

NOTE: As external peripheral interface is not implemented in S3C8639/C863A/C8647, EMT register is not used. The program initialization routine should clear the EMT register to "00H" after a reset. Modification of EMT values during the normal operation may cause a system malfunction.

FLAGS — System Flags Register**D5H****Set 1**

Bit Identifier	.7	.6	.5	.4	.3	.2	.1	.0
RESET Value	x	x	x	x	x	x	0	0
Read/Write	R/W	R/W	R/W	R/W	R/W	R/W	R/W	R/W
Addressing Mode	Register addressing mode only							

.7	Carry Flag (C)	
	0	Operation does not generate a carry or borrow condition
	1	Operation generates a carry-out or borrow into high-order bit 7
.6	Zero Flag (Z)	
	0	Operation result is a non-zero value
	1	Operation result is zero
.5	Sign Flag (S)	
	0	Operation generates a positive number (MSB = "0")
	1	Operation generates a negative number (MSB = "1")
.4	Overflow Flag (V)	
	0	Operation result is $\leq +127$ or ≥ -128
	1	Operation result is $> +127$ or < -128
.3	Decimal Adjust Flag (D)	
	0	Add operation completed
	1	Subtraction operation completed
.2	Half-Carry Flag (H)	
	0	No carry-out of bit 3 or no borrow into bit 3 by addition or subtraction
	1	Addition generated carry-out of bit 3 or subtraction generated borrow into bit 3
.1	Fast Interrupt Status Flag (FIS)	
	0	Cleared automatically during an interrupt return (IRET)
	1	Automatically set to logic one during a fast interrupt service routine
.0	Bank Address Selection Flag (BA)	
	0	Bank 0 is selected (by executing the instruction SB0)
	1	Bank 1 is selected (by executing the instruction SB1)

IMR — Interrupt Mask Register

DDH

Set 1

Bit Identifier	.7	.6	.5	.4	.3	.2	.1	.0
RESET Value	x	x	x	x	x	x	x	x
Read/Write	R/W	R/W	R/W	R/W	R/W	R/W	R/W	R/W
Addressing Mode	Register addressing mode only							

.7 Interrupt Level 7 (IRQ7) Enable Bit; Slave Only IIC-Bus Interrupt (Only S3C863X)

0	Disable IRQ7 interrupt
1	Enable IRQ7 interrupt

.6 Interrupt Level 6 (IRQ6) Enable Bit; P0.2 External Interrupt (INT2)

0	Disable IRQ6 interrupt
1	Enable IRQ6 interrupt

.5 Interrupt Level 5 (IRQ5) Enable Bit; P0.1 External Interrupt (INT1)

0	Disable IRQ5 interrupt
1	Enable IRQ5 interrupt

.4 Interrupt Level 4 (IRQ4) Enable Bit; P0.0 External Interrupt (INT0)

0	Disable IRQ4 interrupt
1	Enable IRQ4 interrupt

.3 Interrupt Level 3 (IRQ3) Enable Bit; DDC (Multi-Master IIC-Bus) Interrupt

0	Disable IRQ3 interrupt
1	Enable IRQ3 interrupt

.2 Interrupt Level 2 (IRQ2) Enable Bit; Timer M1 Capture/Overflow Interrupt

0	Disable IRQ2 interrupt
1	Enable IRQ2 interrupt

.1 Interrupt Level 1 (IRQ1) Enable Bit; Timer M2 Interval Interrupt

0	Disable IRQ1 interrupt
1	Enable IRQ1 interrupt

.0 Interrupt Level 0 (IRQ0) Enable Bit; Timer M0 Overflow/Capture Interrupt

0	Disable IRQ0 interrupt
1	Enable IRQ0 interrupt

IPH — Instruction Pointer (High Byte)**DAH****Set 1**

Bit Identifier	.7	.6	.5	.4	.3	.2	.1	.0
RESET Value	x	x	x	x	x	x	x	x
Read/Write	R/W	R/W	R/W	R/W	R/W	R/W	R/W	R/W
Addressing Mode	Register addressing mode only							

.7–.0**Instruction Pointer Address (High Byte)**

The high-byte instruction pointer value is the upper eight bits of the 16-bit instruction pointer address (IP15–IP8). The lower byte of the IP address is located in the IPL register (DBH).

IPL — Instruction Pointer (Low Byte)**DBH****Set 1**

Bit Identifier	.7	.6	.5	.4	.3	.2	.1	.0
RESET Value	x	x	x	x	x	x	x	x
Read/Write	R/W	R/W	R/W	R/W	R/W	R/W	R/W	R/W
Addressing Mode	Register addressing mode only							

.7–.0**Instruction Pointer Address (Low Byte)**

The low-byte instruction pointer value is the lower eight bits of the 16-bit instruction pointer address (IP7–IP0). The upper byte of the IP address is located in the IPH register (DAH).

IPR — Interrupt Priority Register**FFH****Set 1, Bank 0**

Bit Identifier	.7	.6	.5	.4	.3	.2	.1	.0
RESET Value	x	x	x	x	x	x	x	x
Read/Write	R/W	R/W	R/W	R/W	R/W	R/W	R/W	R/W
Addressing Mode	Register addressing mode only							

.7, .4 and .1**Priority Control Bits for Interrupt Groups A, B and C**

0	0	0	Not used
0	0	1	B > C > A
0	1	0	A > B > C
0	1	1	B > A > C
1	0	0	C > A > B
1	0	1	C > B > A
1	1	0	A > C > B
1	1	1	Not used

.6**Interrupt Sub-group C Priority Control Bit**

0	IRQ6 > IRQ7
1	IRQ7 > IRQ6

.5**Interrupt Group C Priority Control Bit**

0	IRQ5 > (IRQ6, IRQ7)
1	(IRQ6, IRQ7) > IRQ5

.3**Interrupt Sub-group B Priority Control Bit**

0	IRQ3 > IRQ4
1	IRQ4 > IRQ3

.2**Interrupt Group B Priority Control Bit**

0	IRQ2 > (IRQ3, IRQ4)
1	(IRQ3, IRQ4) > IRQ2

.0**Interrupt Group A Priority Control Bit**

0	IRQ0 > IRQ1
1	IRQ1 > IRQ0

NOTE: Interrupt group A is IRQ0 and IRQ1. Interrupt group B is IRQ2, IRQ3, and IRQ4. Interrupt group C is IRQ5, IRQ6 and IRQ7.

IRQ — Interrupt Request Register

DCH

Set 1

Bit Identifier	.7	.6	.5	.4	.3	.2	.1	.0
RESET Value	0	0	0	0	0	0	0	0
Read/Write	R	R	R	R	R	R	R	R
Addressing Mode	Register addressing mode only							

.7	Level 7 (IRQ7) Request Pending Bit; Slave Only IIC-Bus Interrupt (Only S3C863X)							
0	No IRQ7 interrupt pending							
1	IRQ7 interrupt is pending							
.6	Level 6 (IRQ6) Request Pending Bit; P0.2 External Interrupt (INT2)							
0	No IRQ6 interrupt pending							
1	IRQ6 interrupt is pending							
.5	Level 5 (IRQ5) Request Pending Bit; P0.1 External Interrupt (INT1)							
0	No IRQ5 interrupt pending							
1	IRQ5 interrupt is pending							
.4	Level 4 (IRQ4) Request Pending Bit; P0.0 External Interrupt (INT0)							
0	No IRQ4 interrupt pending							
1	IRQ4 interrupt is pending							
.3	Level 3 (IRQ3) Request Pending Bit; DDC (Multi-Master IIC-Bus) Interrupt							
0	No IRQ3 interrupt pending							
1	IRQ3 interrupt is pending							
.2	Level 2 (IRQ2) Request Pending Bit; Timer M1 Capture/Overflow Interrupt							
0	No IRQ2 interrupt pending							
1	IRQ2 interrupt is pending							
.1	Level 1 (IRQ1) Request Pending Bit; Timer M2 Interval Interrupt							
0	No IRQ1 interrupt pending							
1	IRQ1 interrupt is pending							
.0	Level 0 (IRQ0) Request Pending Bit; Timer M0 Overflow/Capture Interrupt							
0	No IRQ0 interrupt pending							
1	IRQ0 interrupt is pending							

P0CONH — Port 0 Control Register (High Byte)

E4H

Set 1, Bank 0

Bit Identifier	.7	.6	.5	.4	.3	.2	.1	.0
RESET Value	0	0	0	0	0	0	0	0
Read/Write	R/W	R/W	R/W	R/W	R/W	R/W	R/W	R/W
Addressing Mode	Register addressing mode only							

.7 and .6**P0.7 Mode Selection Bits (Not Used for S3C8647)**

0	x	Input mode
1	x	Push-pull output mode

.5 and .4**P0.6 Mode Selection Bits (Not Used for S3C8647)**

0	x	Input mode
1	x	Push-pull output mode

.3 and .2**P0.5 Mode Selection Bits (Not Used for S3C8647)**

0	x	Input mode
1	x	Push-pull output mode

.1 and .0**P0.4/TM0CAP Mode Selection Bits**

0	0	Input mode
0	1	TM0CAP input mode
1	x	Push-pull output mode

P0CONL — Port 0 Control Register (Low Byte)

E5H

Set 1, Bank 0

Bit Identifier	.7	.6	.5	.4	.3	.2	.1	.0
RESET Value	0	0	0	0	0	0	0	0
Read/Write	R/W	R/W	R/W	R/W	R/W	R/W	R/W	R/W
Addressing Mode	Register addressing mode only							

.7 and .6**P0.3 Mode Selection Bits (Not Used for S3C8647)**

0	0	Input mode
0	1	Input mode
1	0	Input mode
1	1	Push-pull output mode

.5 and .4**P0.2/INT2 Mode Selection Bits**

0	0	Input mode (P0.2)
0	1	Input mode, rising edge interrupt detection (INT2)
1	0	Input mode, falling edge interrupt detection (INT2)
1	1	Push-pull output mode

.3 and .2**P0.1/INT1 Mode Selection Bits**

0	0	Input mode (P0.1)
0	1	Input mode, rising edge interrupt detection (INT1)
1	0	Input mode, falling edge interrupt detection (INT1)
1	1	Push-pull output mode

.1 and .0**P0.0/INT0 Mode Selection Bits**

0	0	Input mode (P0.0)
0	1	Input mode, rising edge interrupt detection (INT0)
1	0	Input mode, falling edge interrupt detection (INT0)
1	1	Push-pull output mode

POINT — Port 0 External Interrupt Control Register **EBH** **Set 1, Bank 0**

Bit Identifier	.7	.6	.5	.4	.3	.2	.1	.0
RESET Value	–	0	0	0	–	0	0	0
Read/Write	–	R/W	R/W	R/W	–	R/W	R/W	R/W
Addressing Mode	Register addressing mode only							

.7 and .3

Not used for the S3C8639/C863A/C8647

.6**P0.2 External Interrupt (INT2, IRQ6) Pending Flag** (note)

0	No P0.2 external interrupt pending (when read)
0	Clear P0.2 interrupt pending condition (when write)
1	P0.2 external interrupt is pending (when read)

.5**P0.1 External Interrupt (INT1, IRQ5) Pending Flag**

0	No P0.1 external interrupt pending (when read)
0	Clear P0.1 interrupt pending condition (when write)
1	P0.1 external interrupt is pending (when read)

.4**P0.0 External Interrupt (INT0, IRQ4) Pending Flag**

0	No P0.0 external interrupt pending (when read)
0	Clear P0.0 interrupt pending condition (when write)
1	P0.0 external interrupt is pending (when read)

.2**P0.2 External Interrupt (INT2, IRQ6) Enable Bit**

0	Disable P0.2 interrupt
1	Enable P0.2 interrupt

.1**P0.1 External Interrupt (INT1, IRQ5) Enable Bit**

0	Disable P0.1 interrupt
1	Enable P0.1 interrupt

.0**P0.0 External Interrupt (INT0, IRQ4) Enable Bit**

0	Disable P0.0 interrupt
1	Enable P0.0 interrupt

NOTE: Writing a "1" to an interrupt pending flag (P0.2, P0.1, P0.0) has no effect.

P1CON — Port 1 Control Register (Only S3C863X)

E6H

Set 1, Bank 0

Bit Identifier	.7	.6	.5	.4	.3	.2	.1	.0
RESET Value	–	–	0	0	0	0	0	0
Read/Write	–	–	R/W	R/W	R/W	R/W	R/W	R/W
Addressing Mode	Register addressing mode only							

.7 and .6

Not used for the S3C8639/C863A/C8647

.5 and .4**P1.2 Mode Selection Bits**

0	0	Input mode
0	1	Push-pull output mode
1	0	N-channel open-drain output mode (5 V load capability)
1	1	Not used

.3 and .2**P1.1/SCL1 Mode Selection Bits**

0	0	Input mode
0	1	Push-pull output mode
1	0	N-channel open-drain output mode (5 V load capability)
1	1	Multiplexed mode (SCL1 (P1.1))

.1 and .0**P1.0/SDA1 Mode Selection Bits**

0	0	Input mode
0	1	Push-pull output mode
1	0	N-channel open-drain output mode (5 V load capability)
1	1	Multiplexed mode (SDA1 (P1.0))

P2CONH — Port 2 Control Register (High Byte)

E7H

Set 1, Bank 0

Bit Identifier	.7	.6	.5	.4	.3	.2	.1	.0
RESET Value	0	0	0	0	0	0	0	0
Read/Write	R/W	R/W	R/W	R/W	R/W	R/W	R/W	R/W
Addressing Mode	Register addressing mode only							

.7 and .6**P2.7/Csync-I**

0	x	TTL input mode (Csync-I)
1	x	Push-pull output mode

.5 and .4**P2.6/PWM6 Mode Selection Bits (Not Used for S3C8647)**

0	0	Input mode
0	1	Push-pull output mode
1	0	Push-pull PWM output mode
1	1	N-channel open-drain PWM output mode (5 V load capability)

.3 and .2**P2.5/PWM5 Mode Selection Bits**

0	0	Input mode
0	1	Push-pull output mode
1	0	Push-pull PWM output mode
1	1	N-channel open-drain PWM output mode (5 V load capability)

.1 and .0**P2.4/PWM4 Mode Selection Bits**

0	0	Input mode
0	1	Push-pull output mode
1	0	Push-pull PWM output mode
1	1	N-channel open-drain PWM output mode (5 V load capability)

P2CONL — Port 2 Control Register (Low Byte)

E8H

Set 1, Bank 0

Bit Identifier	.7	.6	.5	.4	.3	.2	.1	.0
RESET Value	0	0	0	0	0	0	0	0
Read/Write	R/W	R/W	R/W	R/W	R/W	R/W	R/W	R/W
Addressing Mode	Register addressing mode only							

.7 and .6**P2.3/PWM3 Mode Selection Bits**

0	x	Input mode
1	0	Push-pull output mode
1	1	Push-pull PWM output mode (5 V load capability)

.5 and .4**P2.2/PWM2 Mode Selection Bits**

0	x	Input mode
1	0	Push-pull output mode
1	1	Push-pull PWM output mode (5 V load capability)

.3 and .2**P2.1/PWM1 Mode Selection Bits**

0	x	Input mode
1	0	Push-pull output mode
1	1	Push-pull PWM output mode (5 V load capability)

.1 and .0**P2.0/PWM0 Mode Selection Bits**

0	x	Input mode
1	0	Push-pull output mode
1	1	Push-pull PWM output mode (5 V load capability)

P3CONH — Port 3 Control Register (High Byte)

E9H

Set 1, Bank 0

Bit Identifier	.7	.6	.5	.4	.3	.2	.1	.0
RESET Value	0	0	0	0	0	0	0	0
Read/Write	R/W	R/W	R/W	R/W	R/W	R/W	R/W	R/W
Addressing Mode	Register addressing mode only							

.7 and .6**P3.7 Mode Selection Bits**

0	0	Input mode
0	1	Input mode with pull-up resistor
1	0	Push-pull output mode
1	1	N-channel open-drain output mode

.5 and .4**P3.6 Mode Selection Bits**

0	0	Input mode
0	1	Input mode with pull-up resistor
1	0	Push-pull output mode
1	1	N-channel open-drain output mode

.3 and .2**P3.5 Mode Selection Bits**

0	0	Input mode
0	1	Input mode with pull-up resistor
1	0	Push-pull output mode
1	1	N-channel open-drain output mode

.1 and .0**P3.4 Mode Selection Bits**

0	0	Input mode
0	1	Input mode with pull-up resistor
1	0	Push-pull output mode
1	1	N-channel open-drain output mode

P3CONL — Port 3 Control Register (Low Byte)

EAH

Set 1, Bank 0

Bit Identifier	.7	.6	.5	.4	.3	.2	.1	.0
RESET Value	0	0	0	0	0	0	0	0
Read/Write	R/W	R/W	R/W	R/W	R/W	R/W	R/W	R/W
Addressing Mode	Register addressing mode only							

.7 and .6**P3.3/AD3 Mode Selection Bits**

0	0	Input mode
0	1	Analog Input mode (AD3)
1	0	Push-pull output mode
1	1	N-channel open-drain output mode

.5 and .4**P3.2/AD2 Mode Selection Bits**

0	0	Input mode
0	1	Analog Input mode (AD2)
1	0	Push-pull output mode
1	1	N-channel open-drain output mode

.3 and .2**P3.1/AD1 Mode Selection Bits**

0	0	Input mode
0	1	Analog Input mode (AD1)
1	0	Push-pull output mode
1	1	N-channel open-drain output mode

.1 and .0**P3.0/AD0 Mode Selection Bits**

0	0	Input mode
0	1	Analog Input mode (AD0)
1	0	Push-pull output mode
1	1	N-channel open-drain output mode

PHGEN – Pseudo Hsync Generation Register

F9H

Set 1, Bank 0

Bit Identifier	.7	.6	.5	.4	.3	.2	.1	.0
RESET Value	0	1	0	1	0	0	1	1
Read/Write	R/W	R/W	R/W	R/W	R/W	R/W	R/W	R/W
Addressing Mode	Register addressing mode only							

.7–.0

Write enable when SYNCON2.4 is "0". (General Pseudo H/Vsync generation mode) Read enable any time
--

PP — Page Pointer Register

DFH

Set 1

Bit Identifier	.7	.6	.5	.4	.3	.2	.1	.0
RESET Value	0	0	0	0	0	0	0	0
Read/Write	R/W	R/W	R/W	R/W	R/W	R/W	R/W	R/W
Addressing Mode	Register addressing mode only							

.7–.4

Destination Register Page Selection Bits

0	0	0	0	Destination: page 0
0	0	0	1	Destination: page 1
0	0	1	0	Destination: page 2 (Not used for the S3C8647)
0	0	1	1	Destination: page 3 (Not used for the S3C8639)
0	1	0	0	Not used for the S3C8639/C863A/C8647
		•		
		•		
		•		
1	1	1	1	Not used for the S3C8639/C863A/C8647

.3–.0

Source Register Page Selection Bits

0	0	0	0	Source: page 0
0	0	0	1	Source: page 1
0	0	1	0	Source: page 2 (Not used for the S3C8647)
0	0	1	1	Source: page 3 (Not used for the S3C8639)
0	1	0	0	Not used for the S3C8639/C863A/C8647
		•		
		•		
		•		
1	1	1	1	Not used for the S3C8639/C863A/C8647

PVGEN – Pseudo Vsync Generation Register

FAH

Set 1, Bank 0

Bit Identifier	.7	.6	.5	.4	.3	.2	.1	.0
RESET Value	0	1	0	1	0	0	1	1
Read/Write	R/W	R/W	R/W	R/W	R/W	R/W	R/W	R/W
Addressing Mode	Register addressing mode only							

.7–.0

Write enable SYNCON2.4 is "0". (General Pseudo H/Vsync generation mode) Read enable any time

PWMCON — PWM Control Register

E7H

Set 1, Bank 1

Bit Identifier	.7	.6	.5	.4	.3	.2	.1	.0
RESET Value	0	0	0	–	–	–	–	–
Read/Write	R/W	R/W	R/W	–	–	–	–	–
Addressing Mode	Register addressing mode only							

.7 and .6**2-Bit Prescaler Value for PWM Counter Input Clock**

0	0	Non-divided input clock
0	1	Input clock divided into two
1	0	Input clock divided into three
1	1	Input clock divided into four

.5**PWM Counter Enable Bit**

0	Stop PWM counter operation (No current leakage)
1	Start (or resume) PWM counter operation

.4–.0

Not used for the S3C8639/C863A/C8647

RBDR — Receive Pre-Buffer Data Register**F0H****Set 1, Bank 1**

Bit Identifier	.7	.6	.5	.4	.3	.2	.1	.0
RESET Value	x	x	x	x	x	x	x	x
Read/Write	R	R	R	R	R	R	R	R
Addressing Mode	Register addressing mode only							

.7–.0

It is a read-only register. Read enable anytime. This register will be updated after a data byte is received when the DCSR0.2 is "1" and the DCSR1.0 will be "1". The read operation of this register will clear the DCSR1.0. After the DCSR1.0 is cleared, the register can load the received data again and set the DCSR1.0.

RP0 — Register Pointer 0**D6H****Set 1**

Bit Identifier	.7	.6	.5	.4	.3	.2	.1	.0
RESET Value	1	1	0	0	0	–	–	–
Read/Write	R/W	R/W	R/W	R/W	R/W	–	–	–
Addressing Mode	Register addressing only							

.7–.3**Register Pointer 0 Address Value**

Register pointer 0 can independently point to one of the 18 8-byte working register areas in the register file. Using the register pointers, RP0 and RP1, you can select two 8-byte register slices at one time as active working register space. After a reset, RP0 points to address C0H in register set 1, selecting the 8-byte working register slice C0H–C7H.

.2–.0

Not used for the S3C8639/C863A/C8647

RP1 — Register Pointer 1**D7H****Set 1**

Bit Identifier	.7	.6	.5	.4	.3	.2	.1	.0
RESET Value	1	1	0	0	1	–	–	–
Read/Write	R/W	R/W	R/W	R/W	R/W	–	–	–
Addressing Mode	Register addressing only							

.7–.3**Register Pointer 1 Address Value**

Register pointer 1 can independently point to one of the 18 8-byte working register areas in the register file. Using the register pointers, RP0 and RP1, you can select two 8-byte register slices at one time as active working register space. After a reset, RP1 points to address C8H in register set 1, selecting the 8-byte working register slice C8H–CFH.

.2–.0

Not used for the S3C8639/C863A/C8647

SIAR — Slave IIC-Bus Address Register (Only S3C863X)

F3H

Set 1, Bank 1

Bit Identifier	.7	.6	.5	.4	.3	.2	.1	.0
RESET Value	x	x	x	x	x	x	x	–
Read/Write	R/W	R/W	R/W	R/W	R/W	R/W	R/W	–
Addressing Mode	Register addressing only							

.7–.1**7-Bit Slave Address Bits**

These bits are operated only when receive the slave address and general call.
Write enable when SICSR.6 is "0", but read enable anytime.

.0

Not used for the S3C8639/C863A/C8647

SICSR — Slave IIC-Bus Control/Status Register (Only S3C863X)**F2H**

Bit Identifier	.7	.6	.5	.4	.3	.2	.1	.0
RESET Value	0	0	0	0	0	0	0	0
Read/Write	R/W	R/W	R/W	R/W	R/W	R	R	R
Addressing Mode	Register addressing mode only							

.7 Acknowledgement Enable Bit

0	Disable ACK generation
1	Enable ACK generation

.6 Slave IIC-Bus Module Enable Bit

0	Disable IIC-Bus module
1	Enable IIC-Bus module (Enable serial data Tx/Rx)

.5 Slave IIC-Bus Tx/Rx Interrupt Enable Bit

0	Disable interrupt
1	Enable interrupt

.4 Slave IIC-Bus Tx/Rx Interrupt Pending Bit

0	No interrupt pending (when read) clear pending condition (when write)
0	When SICSR.6 is "0"
1	When 1-Byte Tx/Rx is terminated
1	When slave address match occurred

.3 Slave IIC-Bus Tx/Rx Mode Status Bit

0	Slave receive mode (Default mode)
1	Slave transmitter mode

.2 IIC-Bus Busy Status Bit

0	IIC-Bus is not busy
1	IIC-Bus is busy

.1 Slave Address Match Bit

0	When start or stop or reset
1	When received slave address matches to SIAR register

.0 Received Acknowledge (ACK) Bit

0	ACK is received
1	ACK is not received

NOTE: Bit 2-0 are read only.

SIDSR — Slave IIC-Bus Tx/Rx Data Shift Register (Only S3C863X) F4H Set 1, Bank 1

Bit Identifier	.7	.6	.5	.4	.3	.2	.1	.0
RESET Value	x	x	x	x	x	x	x	x
Read/Write	R/W	R/W	R/W	R/W	R/W	R/W	R/W	R/W
Addressing Mode	Register addressing only							

.7–.0

Slave IIC-Bus Transmit/Receive Data Shift Bus

Write enable when SICSR.6 is "1", but read enable anytime.
--

SPH — Stack Pointer (High Byte)

D8H

Set 1

Bit Identifier	.7	.6	.5	.4	.3	.2	.1	.0
RESET Value	x	x	x	x	x	x	x	x
Read/Write	R/W	R/W	R/W	R/W	R/W	R/W	R/W	R/W
Addressing Mode	Register addressing mode only							

.7–.0

Stack Pointer Address (High Byte)

The high-byte stack pointer value is the upper eight bits of the 16-bit stack pointer address (SP15–SP8). The lower byte of the stack pointer value is located in the register SPL (D9H). The SP value is undefined after a reset.

SPL — Stack Pointer (Low Byte)

D9H

Set 1

Bit Identifier	.7	.6	.5	.4	.3	.2	.1	.0
RESET Value	x	x	x	x	x	x	x	x
Read/Write	R/W	R/W	R/W	R/W	R/W	R/W	R/W	R/W
Addressing Mode	Register addressing mode only							

.7–.0

Stack Pointer Address (Low Byte)

The low-byte stack pointer value is the lower eight bits of the 16-bit stack pointer address (SP7–SP0). The upper byte of the stack pointer value is located in the register SPH (D8H). The SP value is undefined after a reset.

STOPCON — Stop Control Register

FBH

Set 1, Bank 0

Bit Identifier	.7	.6	.5	.4	.3	.2	.1	.0
RESET Value	0	0	0	0	0	0	0	0
Read/Write	R/W	R/W	R/W	R/W	R/W	R/W	R/W	R/W
Addressing Mode	Register addressing mode only							

.7–.0

Stop Operation Enable Bits

1 0 1 0 0 1 0 1	Enable the stop (power saving) function
Others	Disable the stop function

NOTES:

1. If you intend to stop function for power saving, before Stop OP-code, you must set this register value to A5H (10100101B).
2. When STOP mode is released, stop control register (STOPCON) value is cleared automatically.

SYM — System Mode Register

DEH

Set 1

Bit Identifier	.7	.6	.5	.4	.3	.2	.1	.0
RESET Value	0	–	–	x	x	x	0	0
Read/Write	R/W	–	–	R/W	R/W	R/W	R/W	R/W
Addressing Mode	Register addressing mode only							

.7	Tri-State External Interface Control Bit ⁽¹⁾
0	Normal operation (disable tri-state operation)
1	Set external interface lines to high impedance (enable tri-state operation)

.6 and .5	Not used for the S3C8639/C863A/C8647

.4–.2	Fast Interrupt Level Selection Bits ⁽²⁾
0 0 0	IRQ0
0 0 1	IRQ1
0 1 0	IRQ2
0 1 1	IRQ3
1 0 0	IRQ4
1 0 1	IRQ5
1 1 0	IRQ6
1 1 1	IRQ7 (Not used for the S3C8647)

.1	Fast Interrupt Enable Bit ⁽³⁾
0	Disable fast interrupt processing
1	Enable fast interrupt processing

.0	Global Interrupt Enable Bit ⁽⁴⁾
0	Disable global interrupt processing
1	Enable global interrupt processing

NOTES:

- As external interface is not implemented in S3C8639/C863A/C8647, SYM.7 must always be "0".
- You can select only one interrupt level at a time for fast interrupt processing.
- Setting SYM.1 to "1" enables fast interrupt processing for the interrupt level currently selected by SYM.2–SYM.4.
- After a reset, you must enable global interrupt processing by executing an EI instruction (not by writing a "1" to SYM.0).

SYNCON0 — Sync Processor Control Register 0 EDH Set 1, Bank 0

Bit Identifier	.7	.6	.5	.4	.3	.2	.1	.0
RESET Value	0	0	0	0	0	0	0	0
Read/Write	R/W	R/W	R/W	R	R	R	R	R
Addressing Mode	Register addressing mode only							

.7 **Sync Input Selection (SIS) Bit**

0	Hsync-I input is selected
1	Csync-I input is selected

.6 **Hsync Blanking Enable Bit**

0	Disable (Hsync signal by-pass) (When SYNCON0.5 = "0")
1	Enable Hsync blanking automatically (During the Vsync signal extraction period) (When SYNCON0.5 = "1")

.5 **Vsync-O Output Selection (VOS) Bit**

0	Select Vsync-I port input (when separate sync input mode)
1	Select 5-bit compare output (when composite sync input mode)

.4–.0 **5-Bit Counter Value Bits**

<p>5-bit counter increases when a high level is detected, while an overflow does not occur (Stop at "11111"). It decreases when a low level is detected, while an underflow does not occur (Stop at "00000")</p> <p>When SYNCON0.5 is "1": Sync separation and output (When counter value increases to "11111", output the high through the MUX and when counter value decreases to "00000", output becomes low. Resume the previous status when "11111" > counter value > "00000")</p>	
---	--

SYNCON1 — Sync Processor Control Register 1

EEH

Set 1, Bank 0

Bit Identifier	.7	.6	.5	.4	.3	.2	.1	.0
RESET Value	0	0	0	0	0	0	0	0
Read/Write	R/W	R/W	R/W	R/W	R/W	R/W	R	R
Addressing Mode	Register addressing mode only							

.7 and .6**Clamp Signal Generator Selection Bits**

0	0	Inhibit Clamp signal output (Clamp-O)
0	1	($f_{OSC} \times 2$) clock pulse output (250 ns at 8 MHz f_{OSC})
1	0	($f_{OSC} \times 4$) clock pulse output (500 ns at 8 MHz f_{OSC} , 333 ns at 12 MHz f_{OSC})
1	1	($f_{OSC} \times 8$) clock pulse output (1 μ s at 8 MHz f_{OSC} , 666ns at 12 MHz f_{OSC})

.5**"Front Porch"/"Back Porch" Mode Selection Bit**

0	Generate Clamp-O after the rising edge of Hsync ("front porch" mode)
1	Generate Clamp-O after the falling edge of Hsync ("back porch" mode)

.4**Clamp Signal Output Status Control Bit (COSC)**

0	Negative polarity
1	Positive polarity

.3**Vsync-O Status Control Bit**

0	Do not invert (by-pass)
1	Invert output signal

.2**Hsync-O Status Control Bit (HOSC)**

0	Do not invert (by-pass)
1	Invert output signal

.1**Vsync Polarity Detection Bit ⁽¹⁾**

0	Negative polarity
1	Positive polarity

.0**Hsync Polarity Detection Bit ⁽²⁾**

0	Negative polarity
1	Positive polarity

NOTES:

- To check Hsync/Vsync polarity, it uses 16 clocks of timer M2 ($f_{OSC}/1000$). If the Vsync polarity is changing, this bit will be updated after a typical delay of 2 ms, at 8 MHz f_{OSC} (1.33 ms at 12 MHz f_{OSC}).
- The SYNCON1.0 may not be accurate when the Hsync-I is composite-sync signal output.

SYNCON2 — Sync Processor Control Register 2

EFH

Set 1, Bank 0

Bit Identifier	.7	–	.5	.4	.3	.2	.1	.0
RESET Value	0	–	0	0	0	0	0	0
Read/Write	R/W	–	R/W	R/W	R/W	R/W	R/W	R/W
Addressing Mode	Register addressing mode only							

.7**Unmixed Hsync Detection Bit (When SYNCON0.5 is "1")**

0	Mixed Hsync period with Vsync of a composite sync input (This bit still cleared before being read this bit or it is been in mixed Hsync period)
1	Unmixed Hsync periods

.6

Not used for the S3C8639/C863A/C8647(Only "0")

.5**5-Bit Counter Source Clock (fsync) Input Selection Bit ⁽¹⁾**

0	$f_{OSC}/3$ (when f_{CPU} is 12 MHz)
1	$f_{OSC}/2$ (when f_{CPU} is 8 MHz)

.4**Pseudo Sync Generation Disable Bit (Positive Polarity Only)**

0	Enable Pseudo Hsync/Vsync generation
1	Normal Sync-processor operation (by-pass)

.3**Sync Signal Output Disable Bit**

0	Enable Sync signal output
1	Inhibit Sync signal output (Output level is low)

.2**SOG (Sync On Green) Detection Bit**

0	No SOG signal (when read)
0	Clear SOG detection 6-bit counter (when write)
1	Csync-I is SOG signal ⁽²⁾

.1**5-Bit up/down Counter Latch Status Changing Detection Bit**

0	When the latch status is not changed or it writes "0" to this bit
1	When the latch status changing is detected.

.0**V_{DD} Level Selection Bit for TTL Sync-Input Port (Not used for the S3C8647)**

0	When V _{DD} is +5 V
1	When V _{DD} is +3 V

NOTES:

1. Countable maximum Hsync pulse width = 7.85 us (when fsync is 4 MHz)
2. To check SOG presence, it uses 64 Csync-I input edge signal.
3. The SYNCON2.1 can be used to check the presence of composite-sync signal input.

SYNCRD — Sync Processor Port Read Data Register **F0H** **Set 1, Bank 0**

Bit Identifier	.7	.6	.5	.4	.3	.2	.1	.0
RESET Value	–	–	–	–	0	0	0	0
Read/Write	–	–	–	–	R	R	R	R
Addressing Mode	Register addressing mode only							

.7–.4

Not used for the S3C8639/C863A/C8647

.3**Vertical Sync Signal Output Data Bit (Vsync-O)**

0	Low data
1	High data

.2**Horizontal Sync Signal Output Data Bit (Hsync-O)**

0	Low data
1	High data

.1**Vertical Sync Signal Input Data Bit (Vsync-I)**

0	Low data
1	High data

.0**Horizontal Sync Signal Input Data Bit (Hsync-I)**

0	Low data
1	High data

TBDR — Transmit Pre-Buffer Data Register**EFH****Set 1, Bank 1**

Bit Identifier	.7	.6	.5	.4	.3	.2	.1	.0
RESET Value	x	x	x	x	x	x	x	x
Read/Write	R/W	R/W	R/W	R/W	R/W	R/W	R/W	R/W
Addressing Mode	Register addressing mode only							

.7–.0

Write enable when DCSR0.4 is "1", Read enable anytime When DCON.3 (TBDR Enable bit) = "1" and DCSR1.1 = "0", the data written into this register will be automatically downloaded to the DDC Data Shift Register (DDSR) and generate the interrupt request when the module detects the calling address is matched and the bit 0 of the received data is "1" (DCSR0.7-6 = "01") and when the data in the DDSR register has been transmitted with received acknowledge bit, DCSR0.0 = "0". At this interrupt service routine, the CPU must write the next data to the TBDR register to clear DCSR1.1 and for the auto downloading of data to the DDSR register after the data in the DDSR register is transmitted over again with DCSR0.0 = "0". When DCON.3 = "1" and DDSR1.1 = "1", the data stored in this register will not be downloaded to the DDSR register and generated the interrupt request when the module detects the calling address is matched and the bit 0 of the received data is "1". At this interrupt service routine, the CPU must write the current data and rewrite the next data to the TBDR register to clear DCSR1.1.

If the master receiver doesn't acknowledge the transmitted data, DCSR0.0 = "1", the module will release the SDA line for master to generate STOP or Repeated START conditions.

If DCON.3 (TBDR Enable bit) is "0", the module will pull-down the SCL line in the IIC-Bus interrupt service routine when the DCSR0.2 is "1". And the module will release the SCL line if the CPU writes a data to the DDSR registers and the interrupt pending bit is cleared.

TM0CON — Timer m0 Control Register

D2H

Set 1

Bit Identifier	.7	.6	.5	.4	.3	.2	.1	.0
RESET Value	0	0	0	0	0	0	0	0
Read/Write	R/W	R/W	R/W	R/W	R/W	R/W	R/W	R/W
Addressing Mode	Register addressing mode only							

.7 **Timer M0 Input Clock Selection Bit**

0	$f_{OSC}/128$
1	$f_{OSC}/8$

.6 and .5**2 Bit Prescaler Bits**

0	0	No division
0	1	Divided by 2
1	0	Divided by 3
1	1	Divided by 4

.4 **Timer M0 Capture Mode Selection Bit**

0	Capture on rising mode
1	Capture on falling mode

.3 **Timer M0 Counter Clear Bit (TM0CLR)**

0	No effect
1	Clear timer M0 counter, TM0CNT (when write)

.2 **Timer M0 Overflow Interrupt Enable Bit (TM0OVINT) ⁽¹⁾**

0	Disable timer M0 overflow interrupt
1	Enable timer M0 overflow interrupt

.1 **Timer M0 Capture Interrupt Enable Bit (TM0INT)**

0	Disable timer M0 interrupt ⁽²⁾
1	Enable timer M0 interrupt

.0 **Timer M0 Capture Input Selection Bit (TM0CAPSEL)**

0	TM0CAP input pin selection
1	Vsync output path selection from sync-processor

NOTES:

- When the captured value is #0FFH, the overflow interrupt does not occurred. If the captured value is changed from #0FFH to #00H, the overflow interrupt occurs. When the captured value is #00H, the overflow interrupt occurs first.
- When the timer M0 interrupt is disabled, the timer M0 overflow interrupt by f_{OSC} can happen.

TM1CON — Timer M1 Control Register

F5H

Set 1, Bank 0

Bit Identifier	.7	.6	.5	.4	.3	.2	.1	.0
RESET Value	0	0	0	0	0	0	0	0
Read/Write	R/W	R/W	R/W	R/W	R/W	R/W	R/W	R/W
Addressing Mode	Register addressing mode only							

.7 Capture Signal Source Selection Bit

0	Signal from timer M2 interval time
1	Vsync-O from sync-processor

.6 Vsync-O Capture Edge Selection Bit (When TM1CON.7 = "1")

0	Capture Vsync-O (from sync-processor) on rising edge
1	Capture Vsync-O (from sync-processor) on falling edge

.5 Timer M1 Capture Interrupt Enable Bit (TM1INT)

0	Disable timer M1 capture
1	Enable timer M1 capture

.4 Timer M1 Capture Pending Bit (TM1PND)

0	Interrupt is not pending (when read)
0	Clear this pending bit (when write)
1	Interrupt is pending (when read)
1	No effect (when write)

.3 Timer M1 Counter Clear Bit (TM1CLR; when write)

0	No effect
1	Clear timer M1 counter

.2 Timer M1 Overflow Interrupt Enable Bit (TM1OVF)

0	Disable timer M1 overflow interrupt
1	Enable timer M1 overflow interrupt

.1–.0 Timer M1 Clock Input Selection Bit

0	0	Hsync-I or Csync-I from sync processor
0	1	$f_{OSC}/2$
1	0	$f_{OSC}/128$
1	1	$f_{OSC}/512$

TM2CON — Timer M2 Control Register

F6H

Set 1, Bank 0

Bit Identifier	.7	.6	.5	.4	.3	.2	.1	.0
RESET Value	1	1	1	1	1	0	0	0
Read/Write	R/W	R/W	R/W	R/W	R/W	R/W	R/W	R/W
Addressing Mode	Register addressing mode only							

.7–.3**5-bit Prescale Bits (TM2PS4–TM2PS0)**

0	0	0	0	0	No division
0	0	0	0	1	Divide by 2
0	0	0	1	0	Divide by 3
		•			•
		•			•
		•			•
1	1	1	1	1	Divide by 32

.2**Timer M2 Interrupt Enable Bit (TM2INT)**

0	Disable timer M2 interrupt
1	Enable timer M2 interrupt

.1 and .0**Timer M2 Capture Interval Time Selection Bits (When TM2CON.5 is "1")**

0	0	Timer M2 interval (by pass)
0	1	Timer M2 interval × 10
1	0	Timer M2 interval × 20
1	1	Timer M2 interval × 30

NOTES:

- When the timer M1 capture mode is enabled (TM1CON.5 = "1"), the value of 5/2-bit prescaler is changed only in the timer M1 capture interrupt routine.
- When the timer M1 capture mode is disabled (TM1CON.5 = "0"), the value of 5-bit prescaler is changed only in the timer M2 interval interrupt routine.

WDTCON — Watchdog Time Control Register

ECH

Set 1, Bank 0

Bit Identifier	.7	.6	.5	.4	.3	.2	.1	.0
RESET Value	–	–	–	–	0	0	0	0
Read/Write	–	–	–	–	R/W	R/W	R/W	R/W
Addressing Mode	Register addressing mode only							

.7–.4

Not used for the S3C8639/C863A/C8647

.3

Hsync-O Divide Enable Bit

0	Hsync-O = Hsync-I (Non-divide)
1	Hsync-O = Hsync-I/2

.2–.0

Watchdog Time Generation Control Bits

0	0	0	tBTOVF (note)
0	0	1	tBTOVF/2
0	1	0	tBTOVF/3
0	1	1	tBTOVF/4
1	0	0	tBTOVF/5
1	0	1	tBTOVF/6
1	1	0	tBTOVF/7
1	1	1	tBTOVF/8

NOTE: $tBTOVF = (1/f_{OSC}) \times (\text{Divider count of basic timer input clock}) \times 256$

NOTES

5

INTERRUPT STRUCTURE

OVERVIEW

The SAM8 interrupt structure has three basic components: levels, vectors, and sources. The CPU recognizes eight interrupt levels and supports up to 128 interrupt vectors. When a specific interrupt level has more than one vector address, the vector priorities are established in hardware. Each vector can have one or more sources.

Levels

Interrupt levels are the main unit for interrupt priority assignment and recognition. All peripherals and I/O blocks can issue interrupt requests. In other words, peripheral and I/O operations are interrupt-driven. There are eight interrupt levels: IRQ0–IRQ7, also called level 0–level 7. Each interrupt level directly corresponds to an interrupt request number (IRQn). The total number of interrupt levels used in the interrupt structure varies from device to device.

The interrupt level numbers 0 through 7 do not necessarily indicate the relative priority of the levels. They are just identifiers for the interrupt levels that are recognized by the CPU. The relative priority of different interrupt levels is determined by settings in the interrupt priority register, IPR. Interrupt group and subgroup logic controlled by IPR settings lets you define more complex priority relationships between different levels.

Vectors

Each interrupt level can have one or more interrupt vectors, or it may have no vector address assigned at all. The maximum number of vectors that can be supported for a given level is 128. (The actual number of vectors used for S3C8-series devices will always be much smaller.) If an interrupt level has more than one vector address, the vector priorities are set in hardware. S3C8639/C863A/C8647* have ten (nine)* vectors — one corresponding to each of the ten (nine)* possible interrupt sources.

Sources

A source is any peripheral that generates an interrupt. A source can be an external pin or a counter overflow. Each vector can have several interrupt sources. In the S3C8639/C863A/C8647* interrupt structure, each source has its own vector address.

When a service routine starts, the respective pending bit should be either cleared automatically by hardware or cleared "manually" by program software. The characteristics of the source's pending mechanism determine which method would be used to clear its respective pending bit.

INTERRUPT TYPES

The three components of the SAM8 interrupt structure described before — levels, vectors, and sources — are combined to determine the interrupt structure of an individual device and to make full use of its available interrupt logic. There are three possible combinations of interrupt structure components, called interrupt types 1, 2, and 3. The types differ in the number of vectors and interrupt sources assigned to each level (see Figure 5-1):

- Type 1: One level (IRQn) + one vector (V₁) + one source (S₁)
- Type 2: One level (IRQn) + one vector (V₁) + multiple sources (S₁– S_n)
- Type 3: One level (IRQn) + multiple vectors (V₁– V_n) + multiple sources (S₁– S_n, S_{n+1}– S_{n+m})

In the S3C8639/C863A/C8647 microcontrollers, only interrupt types 1 and 3 are implemented.

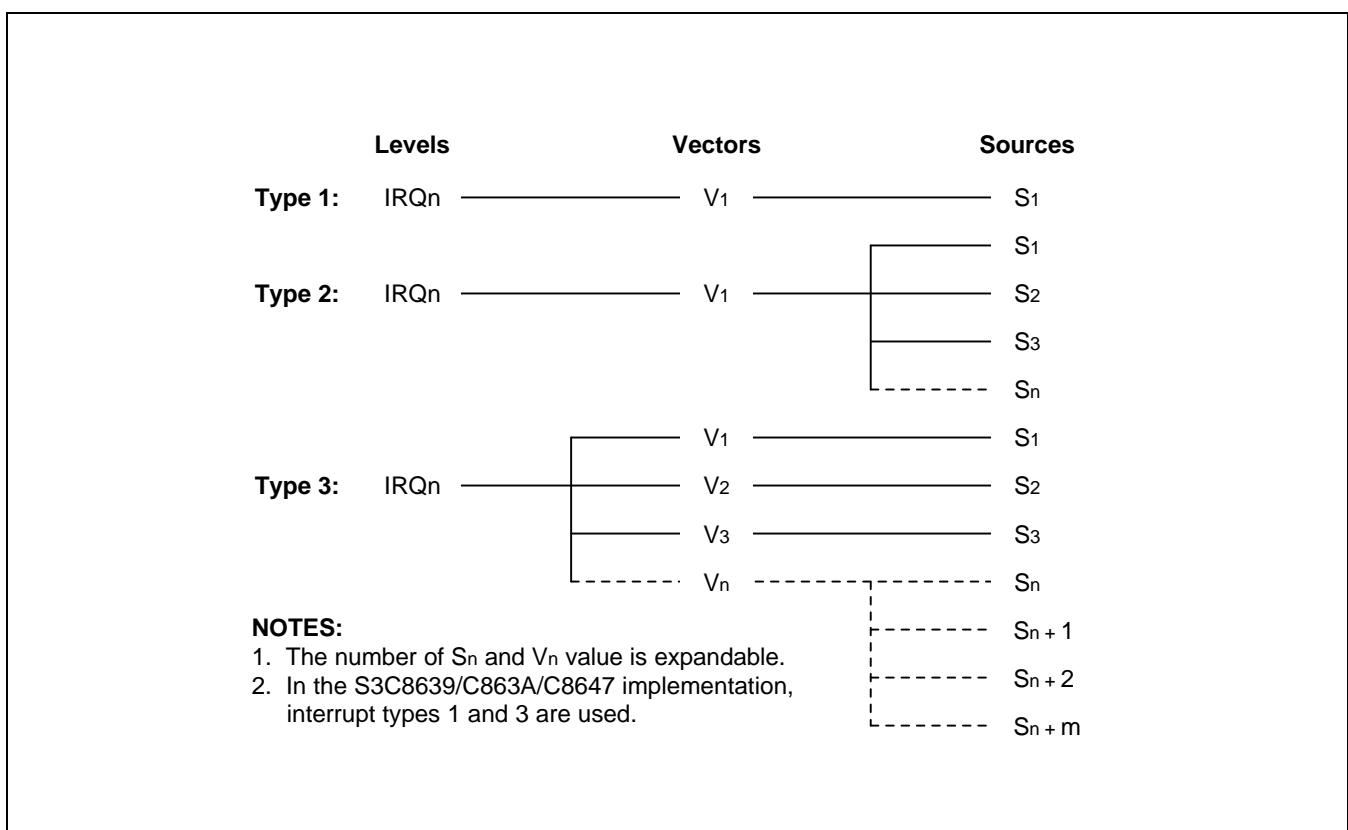


Figure 5-1. S3C8-Series Interrupt Types

S3C8639/C863A/C8647 INTERRUPT STRUCTURE

The S3C8639/C863A/C8647 microcontrollers support ten interrupt sources. Each interrupt source has a corresponding interrupt vector address. All eight interrupt levels are used in the device-specific interrupt structure, which is shown in Figure 5-2.

When multiple interrupt levels are active, the interrupt priority register (IPR) determines the order in which contending interrupts are to be serviced. If multiple interrupts occur within the same interrupt level, the interrupt with the lowest vector address is usually processed first. (The relative priorities of multiple interrupts within a single level are fixed in hardware.)

When the CPU grants an interrupt request, interrupt processing starts: All other interrupts are disabled and the program counter value and status flags are pushed to stack. The starting address of the service routine is fetched from the appropriate vector address (plus the next 8-bit value to concatenate the full 16-bit address) and the service routine is executed.

Levels	Vectors	Sources	Reset/Clear
IRQ0	E0H	Timer M0 overflow interrupt	H/W
	E2H	Timer M0 capture interrupt	H/W
IRQ1	E4H	Timer M2 interval interrupt	H/W
IRQ2	E6H	Timer M1 overflow interrupt	H/W
	E8H	Timer M1 capture interrupt	S/W
IRQ3	EAH	DDC (Multi-master IIC-bus) interrupt	S/W
IRQ4	ECH	P0.0 external interrupt (INT0)	S/W
IRQ5	EEH	P0.1 external interrupt (INT1)	S/W
IRQ6	F0H	P0.2 external interrupt (INT2)	S/W
IRQ7	F2H	Slave only IIC-bus interrupt ^(note)	S/W

NOTE: Not used for the S3C8647.

Figure 5-2. S3C8639/C863A/C8647 Interrupt Structure

INTERRUPT VECTOR ADDRESSES

All interrupt vector addresses for the S3C8639/C863A/C8647 interrupt structure are stored in the vector address area of the ROM, 00H–FFH (see Figure 5-3). You can allocate unused locations in the vector address area as normal program memory. If you do so, please be careful not to overwrite any of the stored vector addresses. (Table 5-1 lists all vector addresses.)

The program reset address in the ROM is 0100H.

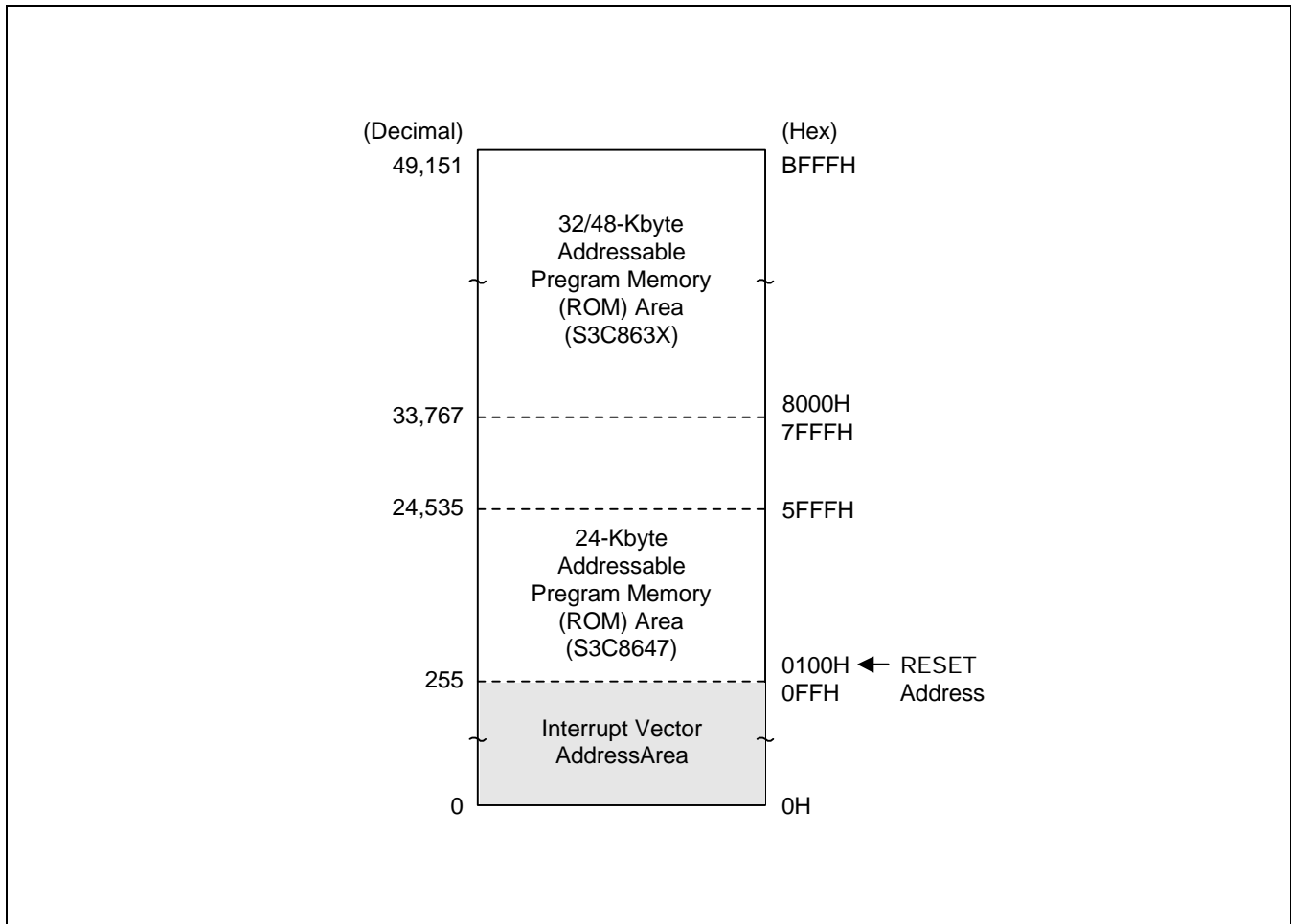


Figure 5-3. ROM Vector Address Area

Table 5-1. S3C8639/C863A/C8647 Interrupt Vectors

Vector Address		Interrupt Source	Request		Reset/Clear	
Decimal Value	Hex Value		Interrupt Level	Priority in Level	H/W	S/W
224	E0H	Timer M0 overflow interrupt	IRQ0	0	√	
226	E2H	Timer M0 capture interrupt		1	√	
228	E4H	Timer M2 interval interrupt	IRQ1	–	√	
230	E6H	Timer M1 overflow interrupt	IRQ2	0	√	
232	E8H	Timer M1 capture interrupt		1		√
234	EAH	DDC (Multi-master IIC-bus) interrupt	IRQ3	–		√
236	ECH	P0.0 external interrupt (INT0)	IRQ4	–		√
238	EEH	P0.1 external interrupt (INT1)	IRQ5	–		√
240	F0H	P0.2 external interrupt (INT2)	IRQ6	–		√
242	F2H	Slave only IIC-bus interrupt ⁽³⁾	IRQ7	–		√

NOTES:

1. Interrupt priorities are identified in inverse order: "0" is the highest priority, "1" is the next highest, and so on.
2. If two or more interrupts within the same level contend, the interrupt with the lowest vector address usually has priority over one with a higher vector address. The priorities within a given level are fixed in hardware.
3. Not used for the S3C8647.

ENABLE/DISABLE INTERRUPT INSTRUCTIONS (EI, DI)

Executing the Enable Interrupts (EI) instruction enables the interrupt structure. All interrupts are then serviced as they occur according to the established priorities.

NOTE

The system initialization routine executed after a reset must always contain an EI instruction (assuming one or more interrupts are used in the application).

During the normal operation, you can execute the DI (Disable Interrupt) instruction at any time to globally disable interrupt processing. The EI and DI instructions change the value of bit 0 in the SYM register. Although you can directly manipulate SYM.0 to enable or disable interrupts, it is recommended that you use the EI and DI instructions instead.

SYSTEM-LEVEL INTERRUPT CONTROL REGISTERS

In addition to the control registers for specific interrupt sources, four system-level registers control interrupt processing:

- The interrupt mask register, IMR, enables (un-masks) or disables (masks) interrupt levels.
- The interrupt priority register, IPR, controls the relative priorities of interrupt levels.
- The interrupt request register, IRQ, contains interrupt pending flags for each interrupt level (as opposed to each interrupt source).
- The system mode register, SYM, enables or disables global interrupt processing. (SYM settings also enable fast interrupts and control the activity of external interface, if implemented.)

Table 5-2. Interrupt Control Register Overview

Control Register	ID	R/W	Function Description
Interrupt mask register	IMR	R/W	Bit settings in the IMR register enable or disable interrupt processing for each of the eight interrupt levels, IRQ0–IRQ7.
Interrupt priority register	IPR	R/W	Controls the relative processing priorities of the interrupt levels. The eight levels are organized into three groups: A, B, and C. Group A is IRQ0 and IRQ1, group B is IRQ2–IRQ4, and group C is IRQ5–IRQ7.
Interrupt request register	IRQ	R	This register contains a request pending bit for each of the seven interrupt levels, IRQ0–IRQ7.
System mode register	SYM	R/W	This register enables and disables dynamic global interrupt processing and fast interrupt processing.

INTERRUPT PROCESSING CONTROL POINTS

Interrupt processing can therefore be controlled in two ways: globally or by specific interrupt level and source. Among the system-level control points in the interrupt structure are:

- Global interrupt enabled and disabled (by EI and DI instructions or by direct manipulation of SYM.0)
- Interrupt level enable/disable settings (IMR register)
- Interrupt level priority settings (IPR register)
- Interrupt source enable/disable settings in the corresponding peripheral control registers

NOTE

When writing an application program that handles interrupt processing, be sure to include the necessary register file address (register pointer) information.

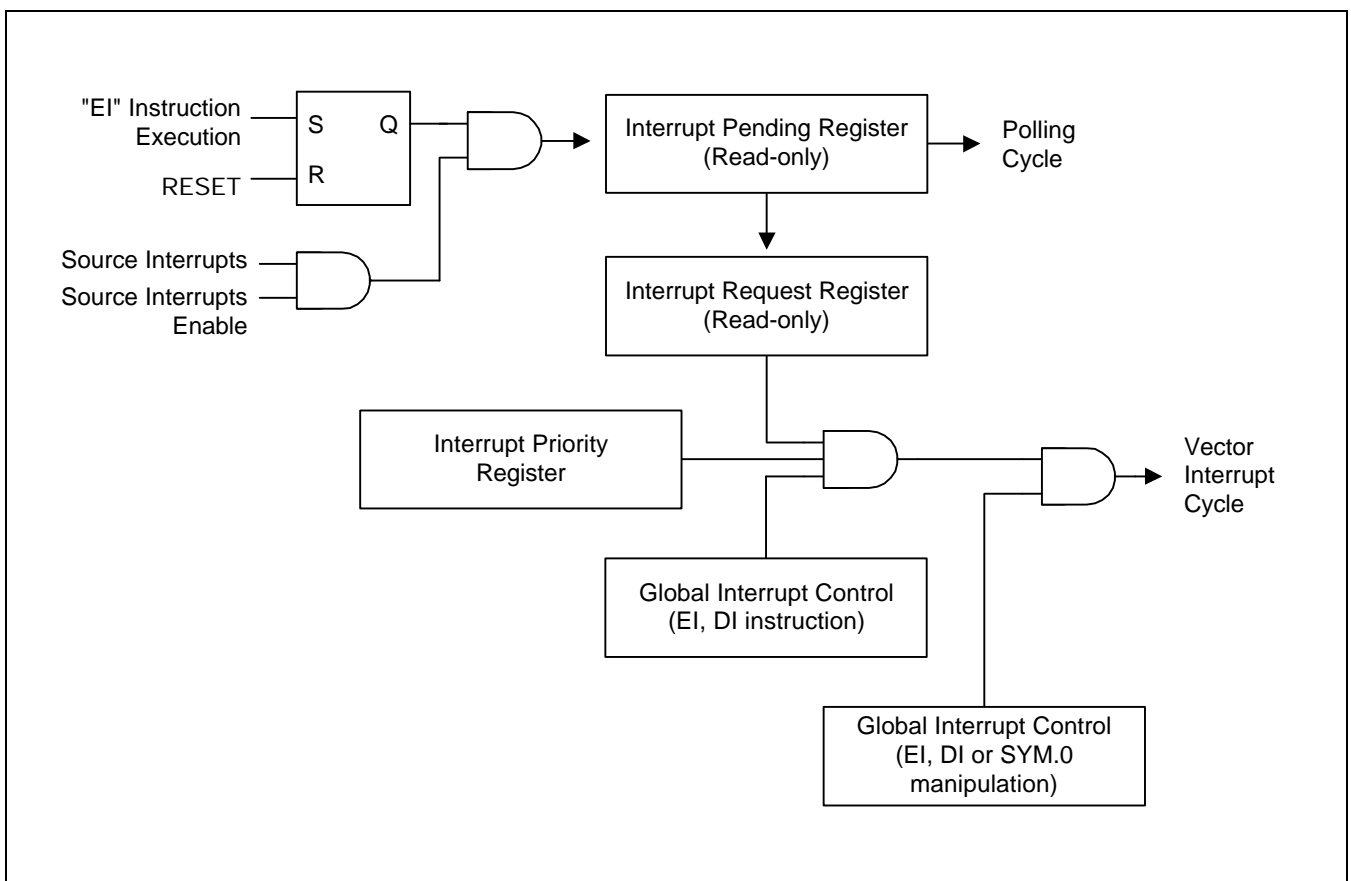


Figure 5-4. Interrupt Function Diagram

PERIPHERAL INTERRUPT CONTROL REGISTERS

For each interrupt source there is a corresponding peripheral control register (or registers) controlling the interrupts generated by the related peripheral. These registers and their locations are listed in Table 5-3.

Table 5-3. Interrupt Source Control Registers

Interrupt Source	Interrupt Level	Control Register(s)	Register Location(s)
Timer M0 overflow interrupt Timer M0 capture interrupt	IRQ0	TM0CON	Set 1, D2H
Timer M2 interval interrupt	IRQ1	TM2CON	Set 1, bank 0, F6H
Timer M1 overflow interrupt Timer M1 capture interrupt	IRQ2	TM1CON	Set 1, bank 0, F5H
DDC (Multi-master IIC-bus) interrupt	IRQ3	DCCR DCSR0	Set 1, bank 1, EBH Set 1, bank 1, ECH
P0.0 external interrupt	IRQ4	P0CONL P0INT	Set 1, bank 0, E5H Set 1, bank 0, EBH
P0.1 external interrupt	IRQ5	P0CONL P0INT	Set 1, bank 0, E5H Set 1, bank 0, EBH
P0.2 external interrupt	IRQ6	P0CONL P0INT	Set 1, bank 0, E5H Set 1, bank 0, EBH
Slave only IIC-bus interrupt ^(note)	IRQ7	SICSR	Set 1, bank 1, F2H

NOTE: Not used for the S3C8647.

SYSTEM MODE REGISTER (SYM)

The system mode register, SYM (set 1, DEH), is used to globally enable and disable interrupt processing and to control fast interrupt processing. Figure 5-5 shows the effect of the various control settings.

A reset clears SYM.7, SYM.1, and SYM.0 to "0". Other SYM bit values (for fast interrupt level selection) are undetermined.

The instructions EI and DI enable and disable global interrupt processing, respectively, by modifying the bit 0 value of the SYM register. In order to enable interrupt processing an Enable Interrupt (EI) instruction must be included in the initialization routine, which follows a reset operation. Although you can manipulate SYM.0 directly to enable and disable interrupts during the normal operation, it is recommended to use the EI and DI instructions for this purpose.

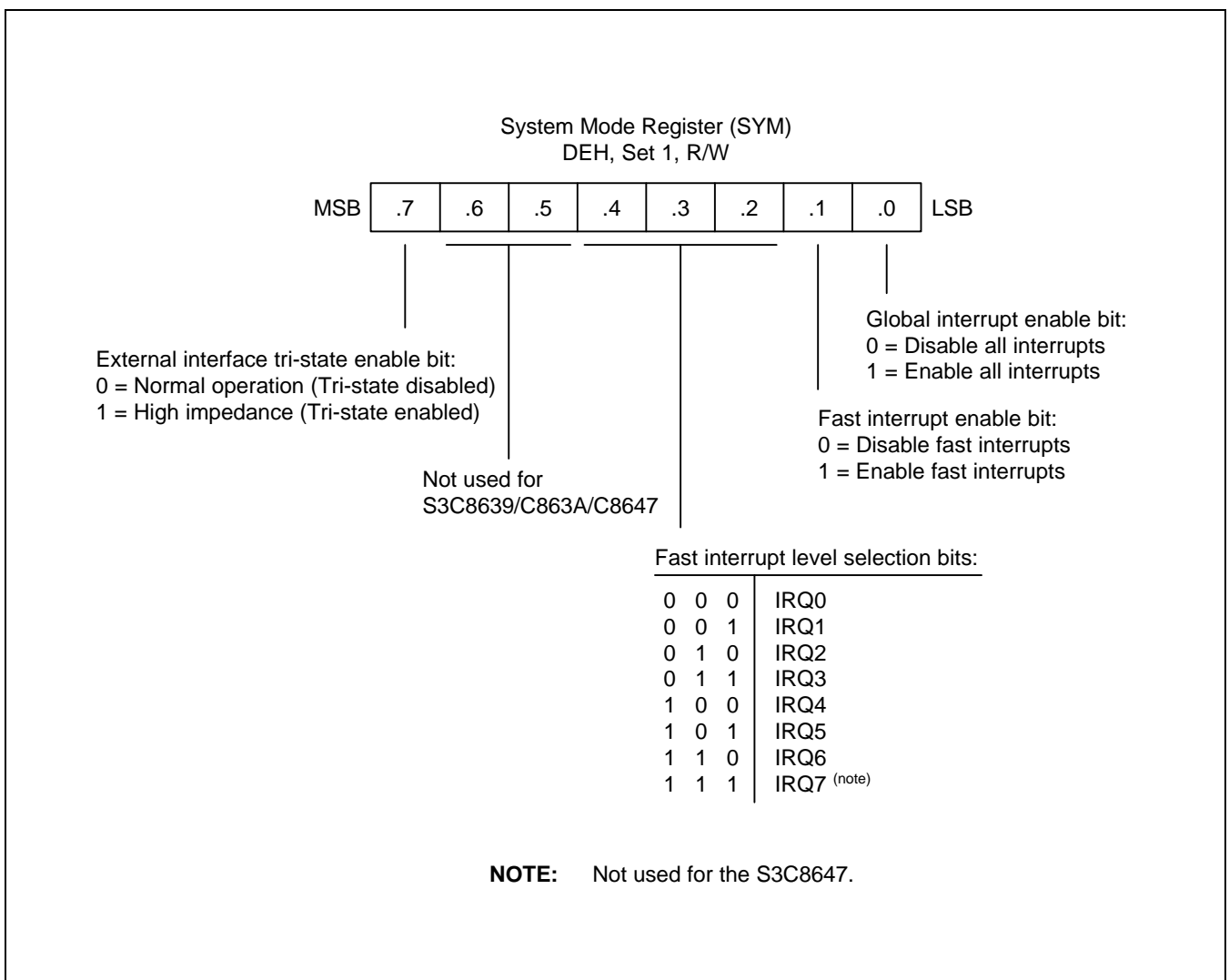


Figure 5-5. System Mode Register (SYM)

INTERRUPT PRIORITY REGISTER (IPR)

The interrupt priority register, IPR (set 1, bank 0, FFH), is used to set the relative priorities of the interrupt levels in the microcontroller's interrupt structure. After a reset, all IPR bit values are undetermined and must therefore be written to their required settings by the initialization routine.

When more than one interrupt sources are active, the source with the highest priority is serviced first. If two sources belong to the same interrupt level, the source with the lower vector address usually has priority. (This priority is fixed in hardware.)

To support programming of the relative interrupt level priorities, they are organized into groups and subgroups by the interrupt logic. Please note that these groups (and subgroups) are used only by IPR logic for the IPR register priority definitions (see Figure 5-7):

- Group A IRQ0, IRQ1
- Group B IRQ2, IRQ3, IRQ4
- Group C IRQ5, IRQ6, IRQ7

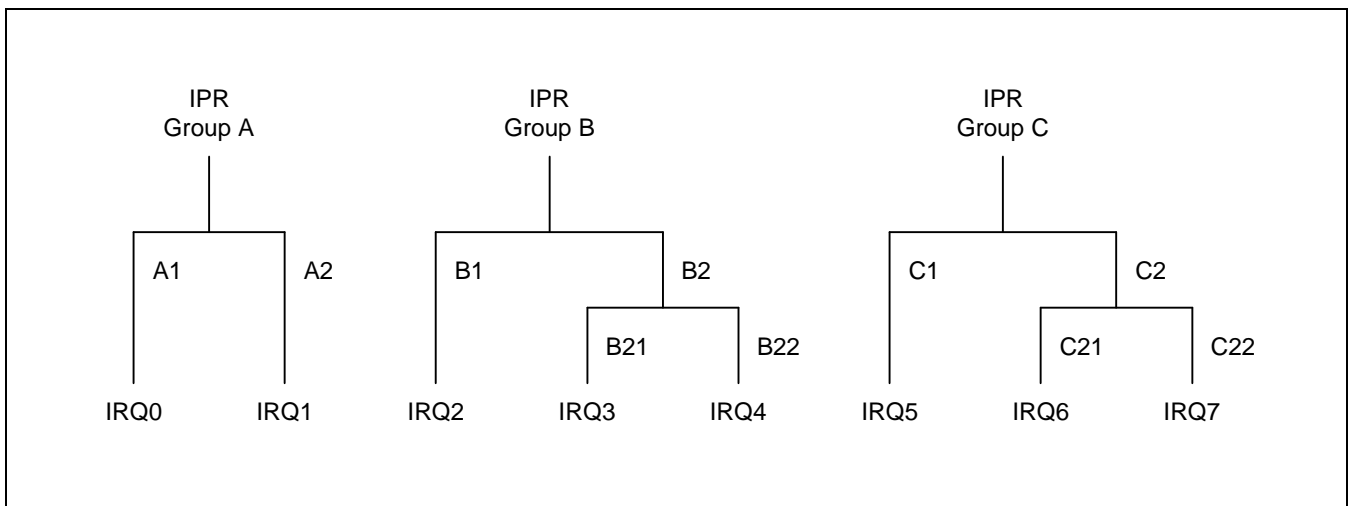


Figure 5-7. Interrupt Request Priority Groups

As you can see in Figure 5-8, IPR.7, IPR.4, and IPR.1 control the relative priority of interrupt groups A, B, and C. For example, the setting "001B" for these bits would select the group relationship B > C > A. The setting "101B" would select the relationship C > B > A.

The functions of the other IPR bit settings are as follows:

- Interrupt group C includes a sub group that has an additional priority relationship among interrupt levels 5, 6, and 7. IPR.6 defines the subgroup C relationship.
- IPR.5 controls the relative priorities of group C interrupts.
- Interrupt group B includes a subgroup that has an additional priority relationship among interrupt levels 2, 3, and 4. IPR.3 defines the subgroup B relationship.
- IPR.2 controls interrupt group B.
- IPR.0 controls the relative priority setting of IRQ0 and IRQ1 interrupts.

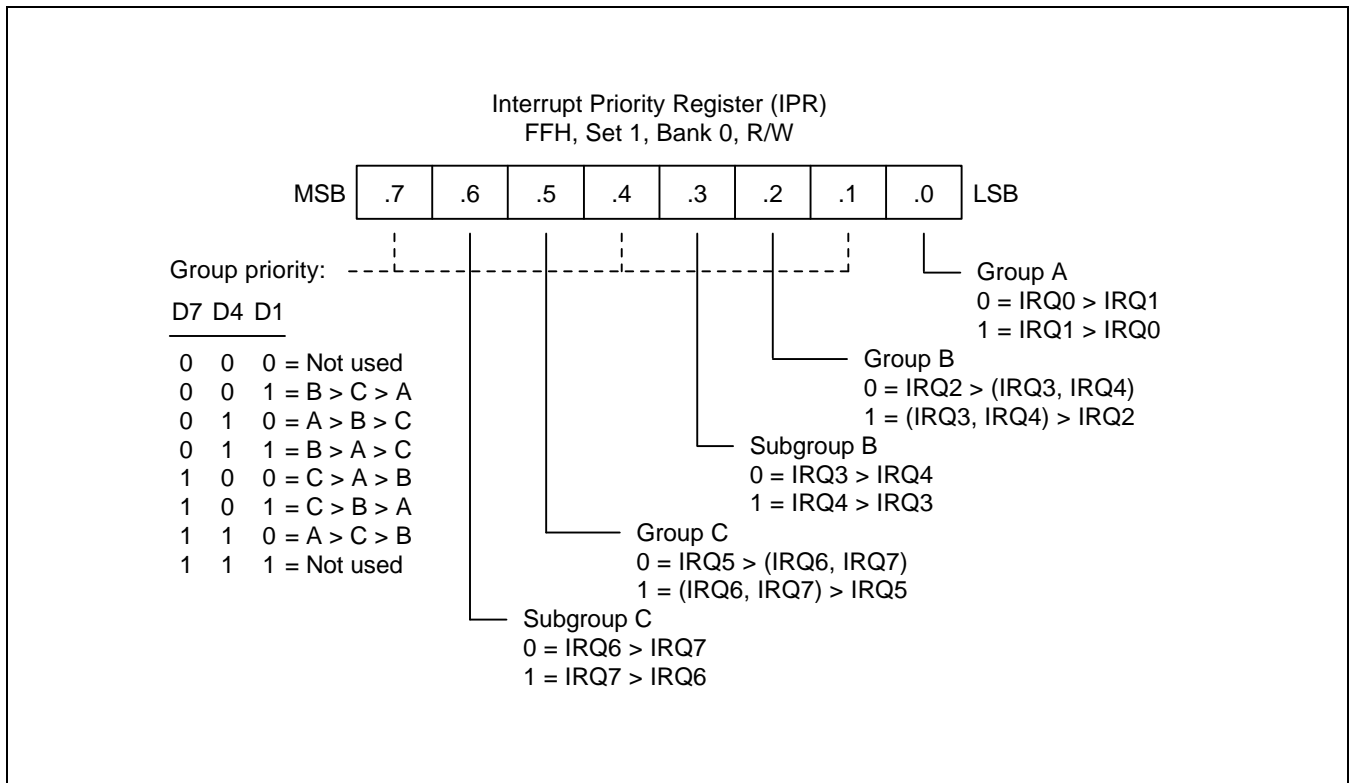


Figure 5-8. Interrupt Priority Register (IPR)

INTERRUPT PENDING FUNCTION TYPES

Overview

There are two types of interrupt pending bits: One type that is automatically cleared by hardware after the interrupt service routine is acknowledged and executed; the other that must be cleared by the application program's interrupt service routine.

Pending Bits Cleared Automatically by Hardware

For interrupt pending bits that are cleared automatically by hardware, interrupt logic sets the corresponding pending bit to "1" when a request occurs. It then issues an IRQ pulse to inform the CPU that an interrupt is waiting to be serviced. The CPU acknowledges the interrupt source, executes the service routine, and clears the pending bit to "0". This type of pending bit is not mapped and cannot, therefore, be read or written by application software.

In the S3C8639/C863A/C8647 interrupt structure, the timer M0 overflow interrupt (IRQ0, vector E0H), the timer M0 capture interrupt (IRQ0, vector E2H), the timer M2 interval interrupt (IRQ1, vector E4H), and the timer M1 overflow interrupt (IRQ2, vector E6H) belong to this category of interrupts in which pending conditions are cleared automatically by hardware.

Pending Bits Cleared by the Service Routine

The second type of pending bit is the one that should be cleared by program software. The service routine must clear the appropriate pending bit before a return-from-interrupt subroutine (IRET) occurs. To do this, a "0" must be written to the corresponding pending bit location in the source's mode or control register.

In the S3C8639/C863A/C8647 interrupt structure, pending conditions for all interrupt sources, *except* the timer M0 overflow/capture, the timer M2 interval interrupt and the timer M1 overflow interrupt, must be cleared by the program software's interrupt service routine.

INTERRUPT SOURCE POLLING SEQUENCE

The interrupt request polling and servicing sequence is as follows:

1. A source generates an interrupt request by setting the interrupt request bit to "1".
2. The CPU polling procedure identifies a pending condition for that source.
3. The CPU checks the source's interrupt level.
4. The CPU generates an interrupt acknowledge signal.
5. Interrupt logic determines the interrupt's vector address.
6. The service routine starts and the source's pending bit is cleared to "0" (by hardware or by software).
7. The CPU continues polling for interrupt requests.

INTERRUPT SERVICE ROUTINES

Before an interrupt request is serviced, the following conditions must be met:

- Interrupt processing must be globally enabled (EI, SYM.0 = "1")
- The interrupt level must be enabled (IMR register)
- The interrupt level must have the highest priority if more than one levels are currently requesting service
- The interrupt must be enabled at the interrupt's source (peripheral control register)

When all of the above conditions are met, the interrupt request is acknowledged at the end of the instruction cycle. The CPU then initiates an interrupt machine cycle that completes the following processing sequence:

1. Reset (clear to "0") the interrupt enable bit in the SYM register (SYM.0) to disable all subsequent interrupts.
2. Save the program counter (PC) and status flags to the system stack.
3. Branch to the interrupt vector to fetch the address of the service routine.
4. Pass control to the interrupt service routine.

When the interrupt service routine is completed, the CPU issues an Interrupt Return (IRET). The IRET restores the PC and status flags, setting SYM.0 to "1". It allows the CPU to process the next interrupt request.

GENERATING INTERRUPT VECTOR ADDRESSES

The interrupt vector area in the ROM (00H–FFH) contains the addresses of interrupt service routines that correspond to each level in the interrupt structure. Vectored interrupt processing follows this sequence:

1. Push the program counter's low-byte value to the stack.
2. Push the program counter's high-byte value to the stack.
3. Push the FLAG register values to the stack.
4. Fetch the service routine's high-byte address from the vector location.
5. Fetch the service routine's low-byte address from the vector location.
6. Branch to the service routine specified by the concatenated 16-bit vector address.

NOTE

A 16-bit vector address always begins at an even-numbered ROM address within the range of 00H–FFH.

NESTING OF VECTORED INTERRUPTS

It is possible to nest a higher-priority interrupt request while a lower-priority request is being serviced. To do this, you must follow these steps:

1. Push the current 8-bit interrupt mask register (IMR) value to the stack (PUSH IMR).
2. Load the IMR register with a new mask value that enables only the higher priority interrupt.
3. Execute an EI instruction to enable interrupt processing (a higher priority interrupt will be processed if it occurs).
4. When the lower-priority interrupt service routine ends, restore the IMR to its original value by returning the previous mask value from the stack (POP IMR).
5. Execute an IRET.

Depending on the application, you may be able to simplify the above procedure to some extent.

INSTRUCTION POINTER (IP)

The instruction pointer (IP) is adopted by all the S3C8-series microcontrollers to control the optional high-speed interrupt processing feature called *fast interrupts*. The IP consists of register pair DAH and DBH. The names IP of registers are IPH (high byte, IP15–IP8) and IPL (low byte, IP7–IP0).

FAST INTERRUPT PROCESSING

The feature called *fast interrupt processing* allows an interrupt within a given level to be completed in approximately six clock cycles rather than the usual 10 clock cycles. SYM.4–SYM.2 are used to select a specific interrupt level for fast processing and SYM.1 enables or disables fast interrupt processing.

Two other system registers support fast interrupt processing:

- The instruction pointer (IP) contains the starting address of the service routine (and is later used to swap the program counter values), and
- When a fast interrupt occurs, the contents of the FLAGS register is stored in an unmapped, dedicated register called FLAGS' ("FLAGS prime").

NOTES

1. For the S3C8639/C863A/C8647 microcontrollers, the service routine for any of the seven interrupt levels (IRQ0–IRQ7) can be selected for fast interrupt processing. The S3C8647 microcontroller has six interrupt levels (IRQ0-IRQ6) for fast interrupt processing.
2. When you use a fast interrupt in a multi-source interrupt vector, the fast interrupt may not be processed if you use two sources as interrupt vector in normal mode. But it is possible when you use only one source as interrupt vector.

Procedure for Initiating Fast Interrupts

To initiate fast interrupt processing, follow these steps:

1. Load the start address of the service routine into the instruction pointer (IP).
2. Load the interrupt level number (IRQn) into the fast interrupt selection field (SYM.4–SYM.2)
3. Write a "1" to the fast interrupt enable bit in the SYM register.

Fast Interrupt Service Routine

When an interrupt occurs in the level selected for fast interrupt processing, the following events occur:

1. The contents of the instruction pointer and the PC are swapped.
2. The FLAG register values are written to the FLAGS' ("FLAGS prime") register.
3. The fast interrupt status bit in the FLAGS register is set.
4. The interrupt is serviced.
5. Assuming that the fast interrupt status bit is set, when the fast interrupt service routine ends, the instruction pointer and PC values are swapped back.
6. The content of FLAGS' ("FLAGS prime") is copied automatically back to the FLAGS register.
7. The fast interrupt status bit in FLAGS is cleared automatically.

Relationship to Interrupt Pending Bit Types

As described previously, there are two types of interrupt pending bits: One is the type that is automatically cleared by hardware after the interrupt service routine is acknowledged and executed, and the other is the one that must be cleared by the application program's interrupt service routine. You can select fast interrupt processing for interrupts with either type of pending condition clear function — by hardware or by software.

Programming Guidelines

Remember that the only way to enable/disable a fast interrupt is to set/clear the fast interrupt enable bit in the SYM register, SYM.1. Executing an EI or DI instruction globally enables or disables all interrupt processing, including fast interrupts.

NOTE

If you use fast interrupts, remember to load the IP with a new start address when the fast interrupt service routine ends.

PROGRAMMING TIP — Setting Up the Interrupt Control Structure

This example shows you how to enable interrupts for select interrupt sources, disable interrupts for other sources, and set interrupt priorities for the S3C8639/C863A/C8647 interrupt structure. The following is a sample program:

- Disables the watchdog function.
- Enables the following interrupts: P0.0 external interrupt, timer M0 capture/overflow, timer M1 capture/overflow, timer M2 interval interrupt, and DDC interrupt.
- Disables the following interrupts: P0.1 and P0.2 external interrupts, and slave only IIC-bus interrupt.
- Sets interrupt priorities as P0.0 > timer M2 > timer M0 > timer M1 > DDC.

```

•
•
•
DI                ; Disable interrupts globally
LD    BTCON,#0A0H ; Disable watchdog function
LD    P0CONL,#01H ; P0.0 ← enable rising edge interrupts
LD    POINT,#01H  ; Enable P0.0 external interrupt
LD    TM0CON,#8FH ; Disable P0.1 and P0.2 external interrupts
LD    TM0CON,#8FH ; Enable timer M0 capture interrupt
                  ; (capture on rising edges)
                  ; Enable timer M0 overflow interrupt
LD    TM1CON,#3CH ; Enable timer M1 capture/overflow interrupt
LD    TM2CON,#3DH ; Enable timer M2 interval interrupt
LD    TM2DATA,#249 ; Setting 1ms interval
LD    DCCR,#0A3H  ; Enable DDC interrupt, SCL clock = 100 kHz
LD    IMR,#1FH   ; Enable interrupt levels IRQ0, IRQ1, IRQ2, IRQ3 and
                  ; IRQ4
LD    IPR,#1EH   ; IRQ4 > IRQ0 > IRQ1 > IRQ2 > IRQ3
                  ; (P0.0 > timer M0 > timer M2 > timer M1 > DDC)
EI                ; Enable interrupts globally
•
•
•
    
```

 **PROGRAMMING TIP — Programming Level IRQ0 as a Fast Interrupt**

The following example shows you how to program fast interrupt processing for a selected interrupt level — in this case, for the timer M0 capture interrupt:

```

      .
      .
      .
      LD      TM0CON,#8FH          ; Enable TM0OVF interrupt
                                   ; Enable TM0CAP interrupt
                                   ; Capture mode (on rising signal edges)
                                   ; Select fOSC/8 as the T0 clock source

      LD      P0CONH,#01H         ; Set P0.4 to capture input mode
      LDW     IPH,#T0_INT         ; IPH ← high byte of interrupt service routine
                                   ; IPL ← low byte of interrupt service routine
      LD      SYM,#02H           ; Enable fast interrupt processing
                                   ; Select IRQ0 for fast interrupt service
      EI                                     ; Enable interrupts
      .
      .
      .
FAST_RET: IRET                    ; IP ← Address of T0_INT (again)
T0_INT:
      .
      .
      .
      (Fast service routine executes)
      .
      .
      .
      LD      TM0CON,#8FH         ; Clear TM0INT interrupt pending bit
      JP      T,FAST_RET

```

NOTES

6 INSTRUCTION SET

OVERVIEW

The SAM8RC instruction set is specifically designed to support the large register files that are typical of most SAM8RC microcontrollers. There are 78 instructions. The powerful data manipulation capabilities and features of the instruction set include:

- A full complement of 8-bit arithmetic and logic operations, including multiply and divide
- No special I/O instructions (I/O control/data registers are mapped directly into the register file)
- Decimal adjustment included in binary-coded decimal (BCD) operations
- 16-bit (word) data can be incremented and decremented
- Flexible instructions for bit addressing, rotate, and shift operations

DATA TYPES

The SAM8RC CPU performs operations on bits, bytes, BCD digits, and two-byte words. Bits in the register file can be set, cleared, complemented, and tested. Bits within a byte are numbered from 7 to 0, where bit 0 is the least significant (right-most) bit.

REGISTER ADDRESSING

To access an individual register, an 8-bit address in the range 0-255 or the 4-bit address of a working register is specified. Paired registers can be used to construct 16-bit data or 16-bit program memory or data memory addresses. For detailed information about register addressing, please refer to Section 2, "Address Spaces."

ADDRESSING MODES

There are seven explicit addressing modes: Register (R), Indirect Register (IR), Indexed (X), Direct (DA), Relative (RA), Immediate (IM), and Indirect (IA). For detailed descriptions of these addressing modes, please refer to Section 3, "Addressing Modes."

Table 6-1. Instruction Group Summary

Mnemonic	Operands	Instruction
Load Instructions		
CLR	dst	Clear
LD	dst,src	Load
LDB	dst,src	Load bit
LDE	dst,src	Load external data memory
LDC	dst,src	Load program memory
LDED	dst,src	Load external data memory and decrement
LDCD	dst,src	Load program memory and decrement
LDEI	dst,src	Load external data memory and increment
LDCI	dst,src	Load program memory and increment
LDEPD	dst,src	Load external data memory with pre-decrement
LDCPD	dst,src	Load program memory with pre-decrement
LDEPI	dst,src	Load external data memory with pre-increment
LDCPI	dst,src	Load program memory with pre-increment
LDW	dst,src	Load word
POP	dst	Pop from stack
POPUD	dst,src	Pop user stack (decrementing)
POPUI	dst,src	Pop user stack (incrementing)
PUSH	src	Push to stack
PUSHUD	dst,src	Push user stack (decrementing)
PUSHUI	dst,src	Push user stack (incrementing)

Table 6-1. Instruction Group Summary (Continued)

Mnemonic	Operands	Instruction
Arithmetic Instructions		
ADC	dst,src	Add with carry
ADD	dst,src	Add
CP	dst,src	Compare
DA	dst	Decimal adjust
DEC	dst	Decrement
DECW	dst	Decrement word
DIV	dst,src	Divide
INC	dst	Increment
INCW	dst	Increment word
MULT	dst,src	Multiply
SBC	dst,src	Subtract with carry
SUB	dst,src	Subtract
Logic Instructions		
AND	dst,src	Logical AND
COM	dst	Complement
OR	dst,src	Logical OR
XOR	dst,src	Logical exclusive OR

Table 6-1. Instruction Group Summary (Continued)

Mnemonic	Operands	Instruction
Program Control Instructions		
BTJRF	dst,src	Bit test and jump relative on false
BTJRT	dst,src	Bit test and jump relative on true
CALL	dst	Call procedure
CPIJE	dst,src	Compare, increment and jump on equal
CPIJNE	dst,src	Compare, increment and jump on non-equal
DJNZ	r,dst	Decrement register and jump on non-zero
ENTER		Enter
EXIT		Exit
IRET		Interrupt return
JP	cc,dst	Jump on condition code
JP	dst	Jump unconditional
JR	cc,dst	Jump relative on condition code
NEXT		Next
RET		Return
WFI		Wait for interrupt
Bit Manipulation Instructions		
BAND	dst,src	Bit AND
BCP	dst,src	Bit compare
BITC	dst	Bit complement
BITR	dst	Bit reset
BITS	dst	Bit set
BOR	dst,src	Bit OR
BXOR	dst,src	Bit XOR
TCM	dst,src	Test complement under mask
TM	dst,src	Test under mask

Table 6-1. Instruction Group Summary (Concluded)

Mnemonic	Operands	Instruction
Rotate and Shift Instructions		
RL	dst	Rotate left
RLC	dst	Rotate left through carry
RR	dst	Rotate right
RRC	dst	Rotate right through carry
SRA	dst	Shift right arithmetic
SWAP	dst	Swap nibbles
CPU Control Instructions		
CCF		Complement carry flag
DI		Disable interrupts
EI		Enable interrupts
IDLE		Enter Idle mode
NOP		No operation
RCF		Reset carry flag
SB0		Set bank 0
SB1		Set bank 1
SCF		Set carry flag
SRP	src	Set register pointers
SRP0	src	Set register pointer 0
SRP1	src	Set register pointer 1
STOP		Enter Stop mode

FLAGS REGISTER (FLAGS)

The flags register FLAGS contains eight bits that describe the current status of CPU operations. Four of these bits, FLAGS.7–FLAGS.4, can be tested and used with conditional jump instructions; two others FLAGS.3 and FLAGS.2 are used for BCD arithmetic.

The FLAGS register also contains a bit to indicate the status of fast interrupt processing (FLAGS.1) and a bank address status bit (FLAGS.0) to indicate whether bank 0 or bank 1 is currently being addressed. FLAGS register can be set or reset by instructions as long as its outcome does not affect the flags, such as, Load instruction.

Logical and Arithmetic instructions such as, AND, OR, XOR, ADD, and SUB can affect the Flags register. For example, the AND instruction updates the Zero, Sign and Overflow flags based on the outcome of the AND instruction. If the AND instruction uses the Flags register as the destination, then simultaneously, two write will occur to the Flags register producing an unpredictable result.

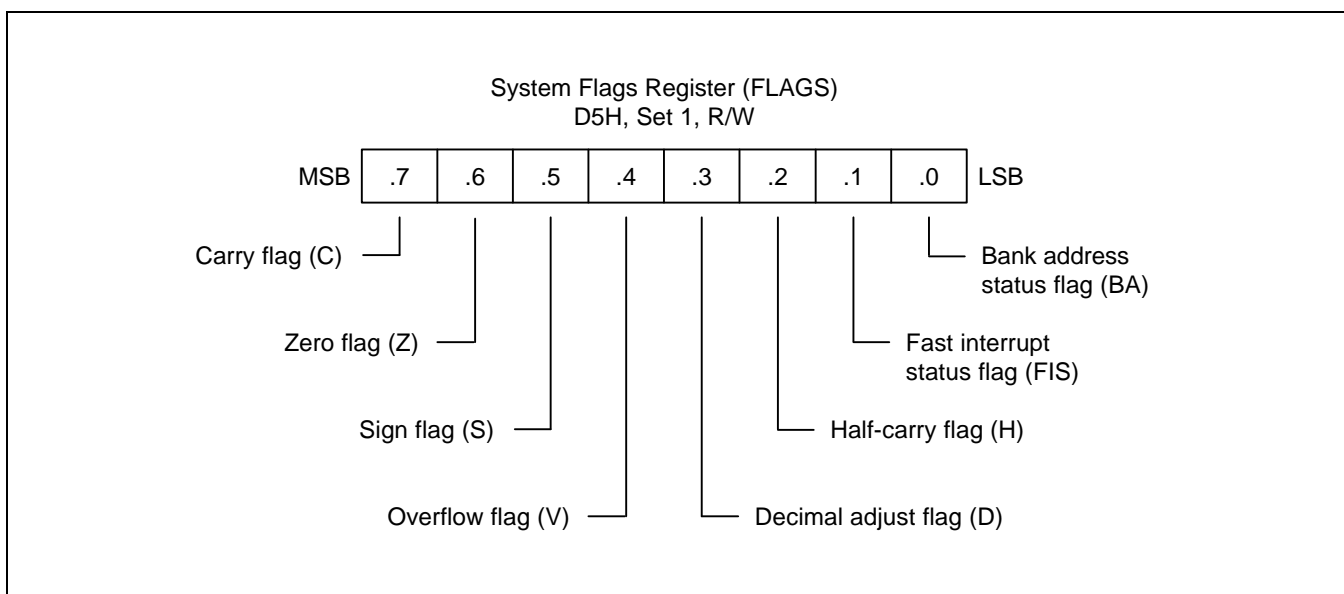


Figure 6-1. System Flags Register (FLAGS)

FLAG DESCRIPTIONS**C Carry Flag (FLAGS.7)**

The C flag is set to "1" if the result from an arithmetic operation generates a carry-out from or a borrow to the bit 7 position (MSB). After rotate and shift operations, it contains the last value shifted out of the specified register. Program instructions can set, clear, or complement the carry flag.

Z Zero Flag (FLAGS.6)

For arithmetic and logic operations, the Z flag is set to "1" if the result of the operation is zero. For operations that test register bits, and for shift and rotate operations, the Z flag is set to "1" if the result is logic zero.

S Sign Flag (FLAGS.5)

Following arithmetic, logic, rotate, or shift operations, the sign bit identifies the state of the MSB of the result. A logic zero indicates a positive number and a logic one indicates a negative number.

V Overflow Flag (FLAGS.4)

The V flag is set to "1" when the result of a two's-complement operation is greater than + 127 or less than - 128. It is also cleared to "0" following logic operations.

D Decimal Adjust Flag (FLAGS.3)

The DA bit is used to specify what type of instruction was executed last during BCD operations, so that a subsequent decimal adjust operation can execute correctly. The DA bit is not usually accessed by programmers, and cannot be used as a test condition.

H Half-Carry Flag (FLAGS.2)

The H bit is set to "1" whenever an addition generates a carry-out of bit 3, or when a subtraction borrows out of bit 4. It is used by the Decimal Adjust (DA) instruction to convert the binary result of a previous addition or subtraction into the correct decimal (BCD) result. The H flag is seldom accessed directly by a program.

FIS Fast Interrupt Status Flag (FLAGS.1)

The FIS bit is set during a fast interrupt cycle and reset during the IRET following interrupt servicing. When set, it inhibits all interrupts and causes the fast interrupt return to be executed when the IRET instruction is executed.

BA Bank Address Flag (FLAGS.0)

The BA flag indicates which register bank in the set 1 area of the internal register file is currently selected, bank 0 or bank 1. The BA flag is cleared to "0" (select bank 0) when you execute the SB0 instruction and is set to "1" (select bank 1) when you execute the SB1 instruction.

INSTRUCTION SET NOTATION

Table 6-2. Flag Notation Conventions

Flag	Description
C	Carry flag
Z	Zero flag
S	Sign flag
V	Overflow flag
D	Decimal-adjust flag
H	Half-carry flag
0	Cleared to logic zero
1	Set to logic one
*	Set or cleared according to operation
–	Value is unaffected
x	Value is undefined

Table 6-3. Instruction Set Symbols

Symbol	Description
dst	Destination operand
src	Source operand
@	Indirect register address prefix
PC	Program counter
IP	Instruction pointer
FLAGS	Flags register (D5H)
RP	Register pointer
#	Immediate operand or register address prefix
H	Hexadecimal number suffix
D	Decimal number suffix
B	Binary number suffix
opc	Opcode

Table 6-4. Instruction Notation Conventions

Notation	Description	Actual Operand Range
cc	Condition code	See list of condition codes in Table 6-6.
r	Working register only	Rn (n = 0–15)
rb	Bit (b) of working register	Rn.b (n = 0–15, b = 0–7)
r0	Bit 0 (LSB) of working register	Rn (n = 0–15)
rr	Working register pair	RRp (p = 0, 2, 4, ..., 14)
R	Register or working register	reg or Rn (reg = 0–255, n = 0–15)
Rb	Bit 'b' of register or working register	reg.b (reg = 0–255, b = 0–7)
RR	Register pair or working register pair	reg or RRp (reg = 0–254, even number only, where p = 0, 2, ..., 14)
IA	Indirect addressing mode	addr (addr = 0–254, even number only)
Ir	Indirect working register only	@Rn (n = 0–15)
IR	Indirect register or indirect working register	@Rn or @reg (reg = 0–255, n = 0–15)
Irr	Indirect working register pair only	@RRp (p = 0, 2, ..., 14)
IRR	Indirect register pair or indirect working register pair	@RRp or @reg (reg = 0–254, even only, where p = 0, 2, ..., 14)
X	Indexed addressing mode	#reg [Rn] (reg = 0–255, n = 0–15)
XS	Indexed (short offset) addressing mode	#addr [RRp] (addr = range –128 to +127, where p = 0, 2, ..., 14)
XL	Indexed (long offset) addressing mode	#addr [RRp] (addr = range 0–65535, where p = 0, 2, ..., 14)
DA	Direct addressing mode	addr (addr = range 0–65535)
RA	Relative addressing mode	addr (addr = number in the range +127 to –128 that is an offset relative to the address of the next instruction)
IM	Immediate addressing mode	#data (data = 0–255)
IML	Immediate (long) addressing mode	#data (data = range 0–65535)

Table 6-5. Opcode Quick Reference

OPCODE MAP									
LOWER NIBBLE (HEX)									
	–	0	1	2	3	4	5	6	7
U	0	DEC R1	DEC IR1	ADD r1,r2	ADD r1,lr2	ADD R2,R1	ADD IR2,R1	ADD R1,IM	BOR r0–Rb
	P	1	RLC R1	RLC IR1	ADC r1,r2	ADC r1,lr2	ADC R2,R1	ADC IR2,R1	ADC R1,IM
P	2	INC R1	INC IR1	SUB r1,r2	SUB r1,lr2	SUB R2,R1	SUB IR2,R1	SUB R1,IM	BXOR r0–Rb
	E	3	JP IRR1	SRP/0/1 IM	SBC r1,r2	SBC r1,lr2	SBC R2,R1	SBC IR2,R1	SBC R1,IM
R	4	DA R1	DA IR1	OR r1,r2	OR r1,lr2	OR R2,R1	OR IR2,R1	OR R1,IM	LDB r0–Rb
	5	POP R1	POP IR1	AND r1,r2	AND r1,lr2	AND R2,R1	AND IR2,R1	AND R1,IM	BITC r1.b
N	6	COM R1	COM IR1	TCM r1,r2	TCM r1,lr2	TCM R2,R1	TCM IR2,R1	TCM R1,IM	BAND r0–Rb
	I	7	PUSH R2	PUSH IR2	TM r1,r2	TM r1,lr2	TM R2,R1	TM IR2,R1	TM R1,IM
B	8	DECW RR1	DECW IR1	PUSHUD IR1,R2	PUSHUI IR1,R2	MULT R2,RR1	MULT IR2,RR1	MULT IM,RR1	LD r1, x, r2
	B	9	RL R1	RL IR1	POPUD IR2,R1	POPUI IR2,R1	DIV R2,RR1	DIV IR2,RR1	DIV IM,RR1
L	A	INCW RR1	INCW IR1	CP r1,r2	CP r1,lr2	CP R2,R1	CP IR2,R1	CP R1,IM	LDC r1, lrr2, xL
	E	B	CLR R1	CLR IR1	XOR r1,r2	XOR r1,lr2	XOR R2,R1	XOR IR2,R1	XOR R1,IM
H	C	RRC R1	RRC IR1	CPIJE lr,r2,RA	LDC r1,lrr2	LDW RR2,RR1	LDW IR2,RR1	LDW RR1,IML	LD r1, lr2
	D	SRA R1	SRA IR1	CPIJNE lrr,r2,RA	LDC r2,lrr1	CALL IA1		LD IR1,IM	LD lr1, r2
E	E	RR R1	RR IR1	LDCD r1,lrr2	LDCI r1,lrr2	LD R2,R1	LD R2,IR1	LD R1,IM	LDC r1, lrr2, xs
	X	F	SWAP R1	SWAP IR1	LDCPD r2,lrr1	LDCPI r2,lrr1	CALL IRR1	LD IR2,R1	CALL DA1

Table 6-5. Opcode Quick Reference (Continued)

OPCODE MAP									
LOWER NIBBLE (HEX)									
	-	8	9	A	B	C	D	E	F
U	0	LD r1,R2	LD r2,R1	DJNZ r1,RA	JR cc,RA	LD r1,IM	JP cc,DA	INC r1	NEXT
	P	1	↓	↓	↓	↓	↓	↓	ENTER
P	2								EXIT
	E	3							WFI
R	4								SB0
	5								SB1
N	6								IDLE
	I	7	↓	↓	↓	↓	↓	↓	STOP
B	8								DI
	B	9							EI
L	A								RET
	E	B							IRET
H	C								RCF
	D	↓	↓	↓	↓	↓	↓	↓	SCF
E	E								CCF
	X	F	LD r1,R2	LD r2,R1	DJNZ r1,RA	JR cc,RA	LD r1,IM	JP cc,DA	INC r1

CONDITION CODES

The opcode of a conditional jump always contains a 4-bit field called the condition code (cc). This specifies under which conditions it is to execute the jump. For example, a conditional jump with the condition code for "equal" after a compare operation only jumps if the two operands are equal. Condition codes are listed in Table 6-6.

The carry (C), zero (Z), sign (S), and overflow (V) flags are used to control the operation of conditional jump instructions.

Table 6-6. Condition Codes

Binary	Mnemonic	Description	Flags Set
0000	F	Always false	—
1000	T	Always true	—
0111 (note)	C	Carry	C = 1
1111 (note)	NC	No carry	C = 0
0110 (note)	Z	Zero	Z = 1
1110 (note)	NZ	Not zero	Z = 0
1101	PL	Plus	S = 0
0101	MI	Minus	S = 1
0100	OV	Overflow	V = 1
1100	NOV	No overflow	V = 0
0110 (note)	EQ	Equal	Z = 1
1110 (note)	NE	Not equal	Z = 0
1001	GE	Greater than or equal	(S XOR V) = 0
0001	LT	Less than	(S XOR V) = 1
1010	GT	Greater than	(Z OR (S XOR V)) = 0
0010	LE	Less than or equal	(Z OR (S XOR V)) = 1
1111 (note)	UGE	Unsigned greater than or equal	C = 0
0111 (note)	ULT	Unsigned less than	C = 1
1011	UGT	Unsigned greater than	(C = 0 AND Z = 0) = 1
0011	ULE	Unsigned less than or equal	(C OR Z) = 1

NOTES:

1. It indicates condition codes that are related to two different mnemonics but which test the same flag. For example, Z and EQ are both true if the zero flag (Z) is set, but after an ADD instruction, Z would probably be used; after a CP instruction, however, EQ would probably be used.
2. For operations involving unsigned numbers, the special condition codes UGE, ULT, UGT, and ULE must be used.

INSTRUCTION DESCRIPTIONS

This section contains detailed information and programming examples for each instruction in the SAM8RC instruction set. Information is arranged in a consistent format for improved readability and for fast referencing. The following information is included in each instruction description:

- Instruction name (mnemonic)
- Full instruction name
- Source/destination format of the instruction operand
- Shorthand notation of the instruction's operation
- Textual description of the instruction's effect
- Specific flag settings affected by the instruction
- Detailed description of the instruction's format, execution time, and addressing mode(s)
- Programming example(s) explaining how to use the instruction

ADC — Add with carry

ADC dst,src

Operation: $dst \leftarrow dst + src + c$

The source operand, along with the setting of the carry flag, is added to the destination operand and the sum is stored in the destination. The contents of the source are unaffected. Two's-complement addition is performed. In multiple precision arithmetic, this instruction permits the carry from the addition of low-order operands to be carried into the addition of high-order operands.

Flags:

- C:** Set if there is a carry from the most significant bit of the result; cleared otherwise.
- Z:** Set if the result is "0"; cleared otherwise.
- S:** Set if the result is negative; cleared otherwise.
- V:** Set if arithmetic overflow occurs, that is, if both operands are of the same sign and the result is of the opposite sign; cleared otherwise.
- D:** Always cleared to "0".
- H:** Set if there is a carry from the most significant bit of the low-order four bits of the result; cleared otherwise.

Format:

		Bytes	Cycles	Opcode (Hex)	Addr <u>dst</u>	Mode <u>src</u>			
<table border="1" style="display: inline-table; vertical-align: middle;"> <tr> <td style="padding: 2px 10px;">opc</td> <td style="padding: 2px 10px;">dst src</td> </tr> </table>	opc	dst src		2	4	12	r	r	
	opc	dst src							
			6	13	r	lr			
<table border="1" style="display: inline-table; vertical-align: middle;"> <tr> <td style="padding: 2px 10px;">opc</td> <td style="padding: 2px 10px;">src</td> <td style="padding: 2px 10px;">dst</td> </tr> </table>	opc	src	dst		3	6	14	R	R
	opc	src	dst						
			6	15	R	IR			
<table border="1" style="display: inline-table; vertical-align: middle;"> <tr> <td style="padding: 2px 10px;">opc</td> <td style="padding: 2px 10px;">dst</td> <td style="padding: 2px 10px;">src</td> </tr> </table>	opc	dst	src		3	6	16	R	IM
opc	dst	src							

Example: Given: R1 = 10H, R2 = 03H, C flag = "1", register 01H = 20H, register 02H = 03H, and register 03H = 0AH:

ADC	R1,R2	→	R1 = 14H, R2 = 03H
ADC	R1,@R2	→	R1 = 1BH, R2 = 03H
ADC	01H,02H	→	Register 01H = 24H, register 02H = 03H
ADC	01H,@02H	→	Register 01H = 2BH, register 02H = 03H
ADC	01H,#11H	→	Register 01H = 32H

In the first example, destination register R1 contains the value 10H, the carry flag is set to "1", and the source working register R2 contains the value 03H. The statement "ADC R1,R2" adds 03H and the carry flag value ("1") to the destination value 10H, leaving 14H in register R1.

ADD — Add

ADD dst,src

Operation: $\text{dst} \leftarrow \text{dst} + \text{src}$

The source operand is added to the destination operand and the sum is stored in the destination. The contents of the source are unaffected. Two's-complement addition is performed.

Flags:

- C:** Set if there is a carry from the most significant bit of the result; cleared otherwise.
- Z:** Set if the result is "0"; cleared otherwise.
- S:** Set if the result is negative; cleared otherwise.
- V:** Set if arithmetic overflow occurred, that is, if both operands are of the same sign and the result is of the opposite sign; cleared otherwise.
- D:** Always cleared to "0".
- H:** Set if a carry from the low-order nibble occurred.

Format:

		Bytes	Cycles	Opcode (Hex)	Addr Mode <u>dst</u> <u>src</u>
opc	dst src	2	4	02	r r
			6	03	r lr
opc	src	3	6	04	R R
			6	05	R IR
opc	dst	3	6	06	R IM

Example: Given: R1 = 12H, R2 = 03H, register 01H = 21H, register 02H = 03H, register 03H = 0AH:

```

ADD    R1,R2    →    R1 = 15H, R2 = 03H
ADD    R1,@R2   →    R1 = 1CH, R2 = 03H
ADD    01H,02H  →    Register 01H = 24H, register 02H = 03H
ADD    01H,@02H →    Register 01H = 2BH, register 02H = 03H
ADD    01H,#25H →    Register 01H = 46H

```

In the first example, destination working register R1 contains 12H and the source working register R2 contains 03H. The statement "ADD R1,R2" adds 03H to 12H, leaving the value 15H in register R1.

AND — Logical AND

AND dst,src

Operation: dst ← dst AND src

The source operand is logically ANDed with the destination operand. The result is stored in the destination. The AND operation results in a "1" bit being stored whenever the corresponding bits in the two operands are both logic ones; otherwise a "0" bit value is stored. The contents of the source are unaffected.

Flags:

- C:** Unaffected.
- Z:** Set if the result is "0"; cleared otherwise.
- S:** Set if the result bit 7 is set; cleared otherwise.
- V:** Always cleared to "0".
- D:** Unaffected.
- H:** Unaffected.

Format:

		Bytes	Cycles	Opcode (Hex)	Addr <u>dst</u>	Mode <u>src</u>			
<table border="1" style="display: inline-table; vertical-align: middle;"> <tr> <td style="padding: 2px 10px;">opc</td> <td style="padding: 2px 10px;">dst src</td> </tr> </table>	opc	dst src		2	4	52	r	r	
	opc	dst src							
			6	53	r	lr			
<table border="1" style="display: inline-table; vertical-align: middle;"> <tr> <td style="padding: 2px 10px;">opc</td> <td style="padding: 2px 10px;">src</td> <td style="padding: 2px 10px;">dst</td> </tr> </table>	opc	src	dst		3	6	54	R	R
	opc	src	dst						
			6	55	R	IR			
<table border="1" style="display: inline-table; vertical-align: middle;"> <tr> <td style="padding: 2px 10px;">opc</td> <td style="padding: 2px 10px;">dst</td> <td style="padding: 2px 10px;">src</td> </tr> </table>	opc	dst	src		3	6	56	R	IM
opc	dst	src							

Example: Given: R1 = 12H, R2 = 03H, register 01H = 21H, register 02H = 03H, register 03H = 0AH:

```

AND   R1,R2   →   R1 = 02H, R2 = 03H
AND   R1,@R2  →   R1 = 02H, R2 = 03H
AND   01H,02H →   Register 01H = 01H, register 02H = 03H
AND   01H,@02H →  Register 01H = 00H, register 02H = 03H
AND   01H,#25H →  Register 01H = 21H

```

In the first example, destination working register R1 contains the value 12H and the source working register R2 contains 03H. The statement "AND R1,R2" logically ANDs the source operand 03H with the destination operand value 12H, leaving the value 02H in register R1.

BAND — Bit AND

BAND dst,src.b

BAND dst.b,src

Operation: $dst(0) \leftarrow dst(0) \text{ AND } src(b)$
 or
 $dst(b) \leftarrow dst(b) \text{ AND } src(0)$

The specified bit of the source (or the destination) is logically ANDed with the zero bit (LSB) of the destination (or source). The resultant bit is stored in the specified bit of the destination. No other bits of the destination are affected. The source is unaffected.

Flags: **C:** Unaffected.
Z: Set if the result is "0"; cleared otherwise.
S: Cleared to "0".
V: Undefined.
D: Unaffected.
H: Unaffected.

Format:

			Bytes	Cycles	Opcode (Hex)	Addr Mode <u>dst</u> <u>src</u>
opc	dst b 0	src	3	6	67	r0 Rb
opc	src b 1	dst	3	6	67	Rb r0

NOTE: In the second byte of the 3-byte instruction formats, the destination (or source) address is four bits, the bit address 'b' is three bits, and the LSB address value is one bit in length.

Example: Given: R1 = 07H and register 01H = 05H:

BAND R1,01H.1 → R1 = 06H, register 01H = 05H

BAND 01H.1,R1 → Register 01H = 05H, R1 = 07H

In the first example, source register 01H contains the value 05H (00000101B) and destination working register R1 contains 07H (00000111B). The statement "BAND R1,01H.1" ANDs the bit 1 value of the source register ("0") with the bit 0 value of register R1 (destination), leaving the value 06H (00000110B) in register R1.

BCP — Bit Compare

BCP dst,src.b

Operation: dst(0) – src(b)

The specified bit of the source is compared to (subtracted from) bit zero (LSB) of the destination. The zero flag is set if the bits are the same; otherwise it is cleared. The contents of both operands are unaffected by the comparison.

Flags:

- C:** Unaffected.
- Z:** Set if the two bits are the same; cleared otherwise.
- S:** Cleared to "0".
- V:** Undefined.
- D:** Unaffected.
- H:** Unaffected.

Format:

			Bytes	Cycles	Opcode (Hex)	Addr Mode <u>dst</u> <u>src</u>
opc	dst b 0	src	3	6	17	r0 Rb

NOTE: In the second byte of the instruction format, the destination address is four bits, the bit address 'b' is three bits, and the LSB address value is one bit in length.

Example: Given: R1 = 07H and register 01H = 01H:

BCP R1,01H.1 → R1 = 07H, register 01H = 01H

If destination working register R1 contains the value 07H (00000111B) and the source register 01H contains the value 01H (00000001B), the statement "BCP R1,01H.1" compares bit one of the source register (01H) and bit zero of the destination register (R1). Because the bit values are not identical, the zero flag bit (Z) is cleared in the FLAGS register (0D5H).

BITC — Bit Complement

BITC dst.b

Operation: dst(b) ← NOT dst(b)

This instruction complements the specified bit within the destination without affecting any other bits in the destination.

Flags: **C:** Unaffected.
Z: Set if the result is "0"; cleared otherwise.
S: Cleared to "0".
V: Undefined.
D: Unaffected.
H: Unaffected.

Format:

		Bytes	Cycles	Opcode (Hex)	Addr Mode <u>dst</u>
opc	dst b 0	2	4	57	rb

NOTE: In the second byte of the instruction format, the destination address is four bits, the bit address 'b' is three bits, and the LSB address value is one bit in length.

Example: Given: R1 = 07H

BITC R1.1 → R1 = 05H

If working register R1 contains the value 07H (00000111B), the statement "BITC R1.1" complements bit one of the destination and leaves the value 05H (00000101B) in register R1. Because the result of the complement is not "0", the zero flag (Z) in the FLAGS register (0D5H) is cleared.

BITR — Bit Reset

BITR dst.b

Operation: $\text{dst}(b) \leftarrow 0$

The BITR instruction clears the specified bit within the destination without affecting any other bits in the destination.

Flags: No flags are affected.

Format:

		Bytes	Cycles	Opcode (Hex)	Addr Mode <u>dst</u>
opc	dst b 0	2	4	77	rb

NOTE: In the second byte of the instruction format, the destination address is four bits, the bit address 'b' is three bits, and the LSB address value is one bit in length.

Example: Given: R1 = 07H:

BITR R1.1 → R1 = 05H

If the value of working register R1 is 07H (00000111B), the statement "BITR R1.1" clears bit one of the destination register R1, leaving the value 05H (00000101B).

BITS — Bit Set

BITS dst.b

Operation: dst(b) ← 1

The BITS instruction sets the specified bit within the destination without affecting any other bits in the destination.

Flags: No flags are affected.

Format:

		Bytes	Cycles	Opcode (Hex)	Addr Mode <u>dst</u>
opc	dst b 1	2	4	77	rb

NOTE: In the second byte of the instruction format, the destination address is four bits, the bit address 'b' is three bits, and the LSB address value is one bit in length.

Example: Given: R1 = 07H:

BITS R1.3 → R1 = 0FH

If working register R1 contains the value 07H (00000111B), the statement "BITS R1.3" sets bit three of the destination register R1 to "1", leaving the value 0FH (00001111B).

BOR — Bit OR

BOR dst,src.b

BOR dst.b,src

Operation: $dst(0) \leftarrow dst(0) \text{ OR } src(b)$
 or
 $dst(b) \leftarrow dst(b) \text{ OR } src(0)$

The specified bit of the source (or the destination) is logically ORed with bit zero (LSB) of the destination (or the source). The resulting bit value is stored in the specified bit of the destination. No other bits of the destination are affected. The source is unaffected.

Flags: **C:** Unaffected.
Z: Set if the result is "0"; cleared otherwise.
S: Cleared to "0".
V: Undefined.
D: Unaffected.
H: Unaffected.

Format:

			Bytes	Cycles	Opcode (Hex)	Addr <u>dst</u>	Mode <u>src</u>
opc	dst b 0	src	3	6	07	r0	Rb
opc	src b 1	dst	3	6	07	Rb	r0

NOTE: In the second byte of the 3-byte instruction formats, the destination (or source) address is four bits, the bit address 'b' is three bits, and the LSB address value is one bit.

Example: Given: R1 = 07H and register 01H = 03H:

BOR R1, 01H.1 → R1 = 07H, register 01H = 03H

BOR 01H.2, R1 → Register 01H = 07H, R1 = 07H

In the first example, destination working register R1 contains the value 07H (00000111B) and source register 01H the value 03H (00000011B). The statement "BOR R1,01H.1" logically ORs bit one of register 01H (source) with bit zero of R1 (destination). This leaves the same value (07H) in working register R1.

In the second example, destination register 01H contains the value 03H (00000011B) and the source working register R1 the value 07H (00000111B). The statement "BOR 01H.2,R1" logically ORs bit two of register 01H (destination) with bit zero of R1 (source). This leaves the value 07H in register 01H.

BTJRF — Bit Test, Jump Relative on False

BTJRF dst,src.b

Operation: If src(b) is a "0", then $PC \leftarrow PC + dst$

The specified bit within the source operand is tested. If it is a "0", the relative address is added to the program counter and control passes to the statement whose address is now in the PC; otherwise, the instruction following the BTJRF instruction is executed.

Flags: No flags are affected.

Format:

(Note 1)			Bytes	Cycles	Opcode (Hex)	Addr Mode
opc	src b 0	dst				<u>dst</u> <u>src</u>
			3	10	37	RA rb

NOTE: In the second byte of the instruction format, the source address is four bits, the bit address 'b' is three bits, and the LSB address value is one bit in length.

Example: Given: R1 = 07H:

BTJRF SKIP,R1.3 → PC jumps to SKIP location

If working register R1 contains the value 07H (00000111B), the statement "BTJRF SKIP,R1.3" tests bit 3. Because it is "0", the relative address is added to the PC and the PC jumps to the memory location pointed to by the SKIP. (Remember that the memory location must be within the allowed range of + 127 to - 128.)

BTJRT — Bit Test, Jump Relative on True

BTJRT dst,src.b

Operation: If src(b) is a "1", then $PC \leftarrow PC + dst$

The specified bit within the source operand is tested. If it is a "1", the relative address is added to the program counter and control passes to the statement whose address is now in the PC; otherwise, the instruction following the BTJRT instruction is executed.

Flags: No flags are affected.

Format:

(Note 1)			Bytes	Cycles	Opcode (Hex)	Addr Mode <u>dst</u> <u>src</u>
opc	src b 1	dst	3	10	37	RA rb

NOTE: In the second byte of the instruction format, the source address is four bits, the bit address 'b' is three bits, and the LSB address value is one bit in length.

Example: Given: R1 = 07H:

BTJRT SKIP,R1.1

If working register R1 contains the value 07H (00000111B), the statement "BTJRT SKIP,R1.1" tests bit one in the source register (R1). Because it is a "1", the relative address is added to the PC and the PC jumps to the memory location pointed to by the SKIP. (Remember that the memory location must be within the allowed range of + 127 to - 128.)

BXOR — Bit XOR

BXOR dst,src.b

BXOR dst.b,src

Operation: $dst(0) \leftarrow dst(0) \text{ XOR } src(b)$
 or
 $dst(b) \leftarrow dst(b) \text{ XOR } src(0)$

The specified bit of the source (or the destination) is logically exclusive-ORed with bit zero (LSB) of the destination (or source). The result bit is stored in the specified bit of the destination. No other bits of the destination are affected. The source is unaffected.

Flags: **C:** Unaffected.
Z: Set if the result is "0"; cleared otherwise.
S: Cleared to "0".
V: Undefined.
D: Unaffected.
H: Unaffected.

Format:

			Bytes	Cycles	Opcode (Hex)	Addr <u>dst</u>	Mode <u>src</u>
opc	dst b 0	src	3	6	27	r0	Rb
opc	src b 1	dst	3	6	27	Rb	r0

NOTE: In the second byte of the 3-byte instruction formats, the destination (or source) address is four bits, the bit address 'b' is three bits, and the LSB address value is one bit in length.

Example: Given: R1 = 07H (00000111B) and register 01H = 03H (00000011B):

BXOR R1,01H.1 → R1 = 06H, register 01H = 03H

BXOR 01H.2,R1 → Register 01H = 07H, R1 = 07H

In the first example, destination working register R1 has the value 07H (00000111B) and source register 01H has the value 03H (00000011B). The statement "BXOR R1,01H.1" exclusive-ORs bit one of register 01H (source) with bit zero of R1 (destination). The result bit value is stored in bit zero of R1, changing its value from 07H to 06H. The value of source register 01H is unaffected.

CCF — Complement Carry Flag

CCF

Operation: $C \leftarrow \text{NOT } C$

The carry flag (C) is complemented. If C = "1", the value of the carry flag is changed to logic zero; if C = "0", the value of the carry flag is changed to logic one.

Flags: **C:** Complementated.
No other flags are affected.

Format:

	Bytes	Cycles	Opcode (Hex)
opc	1	4	EF

Example: Given: The carry flag = "0":

CCF

If the carry flag = "0", the CCF instruction complements it in the FLAGS register (0D5H), changing its value from logic zero to logic one.

CLR — Clear

CLR dst

Operation: dst ← "0"
The destination location is cleared to "0".

Flags: No flags are affected.

Format:

		Bytes	Cycles	Opcode (Hex)	Addr Mode <u>dst</u>
opc	dst	2	4	B0	R
			4	B1	IR

Example: Given: Register 00H = 4FH, register 01H = 02H, and register 02H = 5EH:

CLR 00H → Register 00H = 00H

CLR @01H → Register 01H = 02H, register 02H = 00H

In Register (R) addressing mode, the statement "CLR 00H" clears the destination register 00H value to 00H. In the second example, the statement "CLR @01H" uses Indirect Register (IR) addressing mode to clear the 02H register value to 00H.

COM — Complement

COM dst

Operation: dst ← NOT dst

The contents of the destination location are complemented (one's complement); all "1s" are changed to "0s", and vice-versa.

Flags: **C:** Unaffected.
Z: Set if the result is "0"; cleared otherwise.
S: Set if the result bit 7 is set; cleared otherwise.
V: Always reset to "0".
D: Unaffected.
H: Unaffected.

Format:

		Bytes	Cycles	Opcode (Hex)	Addr Mode <u>dst</u>
opc	dst	2	4	60	R
			4	61	IR

Example: Given: R1 = 07H and register 07H = 0F1H:

COM R1 → R1 = 0F8H

COM @R1 → R1 = 07H, register 07H = 0EH

In the first example, destination working register R1 contains the value 07H (00000111B). The statement "COM R1" complements all the bits in R1: all logic ones are changed to logic zeros, and vice-versa, leaving the value 0F8H (11111000B).

In the second example, Indirect Register (IR) addressing mode is used to complement the value of destination register 07H (11110001B), leaving the new value 0EH (00001110B).

CP — Compare

CP dst,src

Operation: dst – src

The source operand is compared to (subtracted from) the destination operand, and the appropriate flags are set accordingly. The contents of both operands are unaffected by the comparison.

Flags:

- C:** Set if a "borrow" occurred (src > dst); cleared otherwise.
- Z:** Set if the result is "0"; cleared otherwise.
- S:** Set if the result is negative; cleared otherwise.
- V:** Set if arithmetic overflow occurred; cleared otherwise.
- D:** Unaffected.
- H:** Unaffected.

Format:

		Bytes	Cycles	Opcode (Hex)	Addr <u>dst</u>	Mode <u>src</u>
opc	dst src	2	4	A2	r	r
			6	A3	r	lr
opc	src	3	6	A4	R	R
			6	A5	R	IR
opc	dst	3	6	A6	R	IM

Examples: 1. Given: R1 = 02H and R2 = 03H:

CP R1,R2 → Set the C and S flags

Destination working register R1 contains the value 02H and source register R2 contains the value 03H. The statement "CP R1,R2" subtracts the R2 value (source/subtrahend) from the R1 value (destination/minuend). Because a "borrow" occurs and the difference is negative, C and S are "1".

2. Given: R1 = 05H and R2 = 0AH:

```

CP            R1,R2
JP            UGE,SKIP
INC           R1
SKIP         LD            R3,R1

```

In this example, destination working register R1 contains the value 05H which is less than the contents of the source working register R2 (0AH). The statement "CP R1,R2" generates C = "1" and the JP instruction does not jump to the SKIP location. After the statement "LD R3,R1" executes, the value 06H remains in working register R3.

CPIJE — Compare, Increment, and Jump on Equal

CPIJE dst,src,RA

Operation: If $dst - src = "0"$, $PC \leftarrow PC + RA$
 $lr \leftarrow lr + 1$

The source operand is compared to (subtracted from) the destination operand. If the result is "0", the relative address is added to the program counter and control passes to the statement whose address is now in the program counter. Otherwise, the instruction immediately following the CPIJE instruction is executed. In either case, the source pointer is incremented by one before the next instruction is executed.

Flags: No flags are affected.

Format:

				Bytes	Cycles	Opcode (Hex)	Addr Mode <u>dst</u> <u>src</u>
opc	src	dst	RA	3	12	C2	r lr

NOTE: Execution time is 18 cycles if the jump is taken or 16 cycles if it is not taken.

Example: Given: R1 = 02H, R2 = 03H, and register 03H = 02H:

CPIJE R1,@R2,SKIP → R2 = 04H, PC jumps to SKIP location

In this example, working register R1 contains the value 02H, working register R2 the value 03H, and register 03 contains 02H. The statement "CPIJE R1,@R2,SKIP" compares the @R2 value 02H (00000010B) to 02H (00000010B). Because the result of the comparison is *equal*, the relative address is added to the PC and the PC then jumps to the memory location pointed to by SKIP. The source register (R2) is incremented by one, leaving a value of 04H. (Remember that the memory location must be within the allowed range of +127 to -128.)

CPIJNE — Compare, Increment, and Jump on Non-Equal

CPIJNE dst,src,RA

Operation: If $dst - src \neq 0$, $PC \leftarrow PC + RA$
 $Ir \leftarrow Ir + 1$

The source operand is compared to (subtracted from) the destination operand. If the result is not "0", the relative address is added to the program counter and control passes to the statement whose address is now in the program counter; otherwise the instruction following the CPIJNE instruction is executed. In either case the source pointer is incremented by one before the next instruction.

Flags: No flags are affected.

Format:

				Bytes	Cycles	Opcode (Hex)	Addr Mode <u>dst</u> <u>src</u>
opc	src	dst	RA	3	12	D2	r Ir

NOTE: Execution time is 18 cycles if the jump is taken or 16 cycles if it is not taken.

Example: Given: R1 = 02H, R2 = 03H, and register 03H = 04H:

CPIJNE R1,@R2,SKIP → R2 = 04H, PC jumps to SKIP location

Working register R1 contains the value 02H, working register R2 (the source pointer) the value 03H, and general register 03 the value 04H. The statement "CPIJNE R1,@R2,SKIP" subtracts 04H (00000100B) from 02H (00000010B). Because the result of the comparison is *non-equal*, the relative address is added to the PC and the PC then jumps to the memory location pointed to by SKIP. The source pointer register (R2) is also incremented by one, leaving a value of 04H. (Remember that the memory location must be within the allowed range of +127 to -128.)

DA — Decimal Adjust

DA dst

Operation: dst ← DA dst

The destination operand is adjusted to form two 4-bit BCD digits following an addition or subtraction operation. For addition (ADD, ADC) or subtraction (SUB, SBC), the following table indicates the operation performed. (The operation is undefined if the destination operand was not the result of a valid addition or subtraction of BCD digits):

Instruction	Carry Before DA	Bits 4–7 Value (Hex)	H Flag Before DA	Bits 0–3 Value (Hex)	Number Added to Byte	Carry After DA
ADD ADC	0	0–9	0	0–9	00	0
	0	0–8	0	A–F	06	0
	0	0–9	1	0–3	06	0
	0	A–F	0	0–9	60	1
	0	9–F	0	A–F	66	1
	0	A–F	1	0–3	66	1
	1	0–2	0	0–9	60	1
	1	0–2	0	A–F	66	1
SUB SBC	1	0–3	1	0–3	66	1
	0	0–9	0	0–9	00 = – 00	0
	0	0–8	1	6–F	FA = – 06	0
	1	7–F	0	0–9	A0 = – 60	1
	1	6–F	1	6–F	9A = – 66	1

Flags:

- C:** Set if there was a carry from the most significant bit; cleared otherwise (see table).
- Z:** Set if result is "0"; cleared otherwise.
- S:** Set if result bit 7 is set; cleared otherwise.
- V:** Undefined.
- D:** Unaffected.
- H:** Unaffected.

Format:

		Bytes	Cycles	Opcode (Hex)	Addr Mode <u>dst</u>
opc	dst	2	4	40	R
			4	41	IR

DA — Decimal Adjust

DA (Continued)

Example: Given: Working register R0 contains the value 15 (BCD), working register R1 contains 27 (BCD), and address 27H contains 46 (BCD):

```
ADD    R1,R0    ;    C ← "0", H ← "0", Bits 4–7 = 3, bits 0–3 = C, R1 ← 3CH
DA     R1       ;    R1 ← 3CH + 06
```

If addition is performed using the BCD values 15 and 27, the result should be 42. The sum is incorrect, however, when the binary representations are added in the destination location using standard binary arithmetic:

$$\begin{array}{r} 0001\ 0101 \quad 15 \\ + 0010\ 0111 \quad 27 \\ \hline 0011\ 1100 = 3CH \end{array}$$

The DA instruction adjusts this result so that the correct BCD representation is obtained:

$$\begin{array}{r} 0011\ 1100 \\ + 0000\ 0110 \\ \hline 0100\ 0010 = 42 \end{array}$$

Assuming the same values given above, the statements

```
SUB    27H,R0   ;    C ← "0", H ← "0", Bits 4–7 = 3, bits 0–3 = 1
DA     @R1      ;    @R1 ← 31–0
```

leave the value 31 (BCD) in address 27H (@R1).

DEC — Decrement

DEC dst

Operation: $dst \leftarrow dst - 1$

The contents of the destination operand are decremented by one.

Flags: **C:** Unaffected.
Z: Set if the result is "0"; cleared otherwise.
S: Set if result is negative; cleared otherwise.
V: Set if arithmetic overflow occurred; cleared otherwise.
D: Unaffected.
H: Unaffected.

Format:

		Bytes	Cycles	Opcode (Hex)	Addr Mode <u>dst</u>	
<table border="1" style="margin: auto;"> <tr> <td style="padding: 2px 10px;">opc</td> <td style="padding: 2px 10px;">dst</td> </tr> </table>	opc	dst	2	4	00	R
	opc	dst				
4	4	01	IR			

Example: Given: R1 = 03H and register 03H = 10H:

DEC R1 → R1 = 02H

DEC @R1 → Register 03H = 0FH

In the first example, if working register R1 contains the value 03H, the statement "DEC R1" decrements the hexadecimal value by one, leaving the value 02H. In the second example, the statement "DEC @R1" decrements the value 10H contained in the destination register 03H by one, leaving the value 0FH.

DECW — Decrement Word

DECW dst

Operation: $\text{dst} \leftarrow \text{dst} - 1$

The contents of the destination location (which must be an even address) and the operand following that location are treated as a single 16-bit value that is decremented by one.

Flags:

- C:** Unaffected.
- Z:** Set if the result is "0"; cleared otherwise.
- S:** Set if the result is negative; cleared otherwise.
- V:** Set if arithmetic overflow occurred; cleared otherwise.
- D:** Unaffected.
- H:** Unaffected.

Format:

		Bytes	Cycles	Opcode (Hex)	Addr Mode <u>dst</u>
opc	dst	2	8	80	RR
			8	81	IR

Example: Given: R0 = 12H, R1 = 34H, R2 = 30H, register 30H = 0FH, and register 31H = 21H:

DECW RR0 → R0 = 12H, R1 = 33H

DECW @R2 → Register 30H = 0FH, register 31H = 20H

In the first example, destination register R0 contains the value 12H and register R1 the value 34H. The statement "DECW RR0" addresses R0 and the following operand R1 as a 16-bit word and decrements the value of R1 by one, leaving the value 33H.

NOTE: A system malfunction may occur if you use a Zero flag (FLAGS.6) result together with a DECW instruction. To avoid this problem, we recommend that you use DECW as shown in the following example:

```

LOOP:  DECW  RR0
        LD   R2,R1
        OR   R2,R0
        JR   NZ,LOOP
  
```

DI — Disable Interrupts

DI

Operation: SYM (0) \leftarrow 0

Bit zero of the system mode control register, SYM.0, is cleared to "0", globally disabling all interrupt processing. Interrupt requests will continue to set their respective interrupt pending bits, but the CPU will not service them while interrupt processing is disabled.

Flags: No flags are affected.

Format:

	Bytes	Cycles	Opcode (Hex)
opc	1	4	8F

Example: Given: SYM = 01H:

DI

If the value of the SYM register is 01H, the statement "DI" leaves the new value 00H in the register and clears SYM.0 to "0", disabling interrupt processing.

Before changing IMR, interrupt pending and interrupt source control register, be sure DI state.

DIV — Divide (Unsigned)

DIV dst,src

Operation: dst \div src
 dst (UPPER) \leftarrow REMAINDER
 dst (LOWER) \leftarrow QUOTIENT

The destination operand (16 bits) is divided by the source operand (8 bits). The quotient (8 bits) is stored in the lower half of the destination. The remainder (8 bits) is stored in the upper half of the destination. When the quotient is $\geq 2^8$, the numbers stored in the upper and lower halves of the destination for quotient and remainder are incorrect. Both operands are treated as unsigned integers.

Flags:

- C:** Set if the V flag is set and quotient is between 2^8 and $2^9 - 1$; cleared otherwise.
- Z:** Set if divisor or quotient = "0"; cleared otherwise.
- S:** Set if MSB of quotient = "1"; cleared otherwise.
- V:** Set if quotient is $\geq 2^8$ or if divisor = "0"; cleared otherwise.
- D:** Unaffected.
- H:** Unaffected.

Format:

			Bytes	Cycles	Opcode (Hex)	Addr Mode <u>dst</u> <u>src</u>
opc	src	dst	3	26/10	94	RR R
				26/10	95	RR IR
				26/10	96	RR IM

NOTE: Execution takes 10 cycles if the divide-by-zero is attempted; otherwise it takes 26 cycles.

Examples: Given: R0 = 10H, R1 = 03H, R2 = 40H, register 40H = 80H:

DIV RR0,R2 \rightarrow R0 = 03H, R1 = 40H
 DIV RR0,@R2 \rightarrow R0 = 03H, R1 = 20H
 DIV RR0,#20H \rightarrow R0 = 03H, R1 = 80H

In the first example, destination working register pair RR0 contains the values 10H (R0) and 03H (R1), and register R2 contains the value 40H. The statement "DIV RR0,R2" divides the 16-bit RR0 value by the 8-bit value of the R2 (source) register. After the DIV instruction, R0 contains the value 03H and R1 contains 40H. The 8-bit remainder is stored in the upper half of the destination register RR0 (R0) and the quotient in the lower half (R1).

DJNZ — Decrement and Jump if Non-Zero

DJNZ r,dst

Operation: $r \leftarrow r - 1$

If $r \neq 0$, $PC \leftarrow PC + \text{dst}$

The working register being used as a counter is decremented. If the contents of the register are not logic zero after decrementing, the relative address is added to the program counter and control passes to the statement whose address is now in the PC. The range of the relative address is +127 to -128, and the original value of the PC is taken to be the address of the instruction byte following the DJNZ statement.

NOTE: In case of using DJNZ instruction, the working register being used as a counter should be set at the one of location 0C0H to 0CFH with SRP, SRP0, or SRP1 instruction.

Flags: No flags are affected.

Format:

		Bytes	Cycles	Opcode (Hex)	Addr Mode <u>dst</u>
r	opc	2	8 (jump taken)	rA	RA
			8 (no jump)	r = 0 to F	

Example: Given: R1 = 02H and LOOP is the label of a relative address:

```
SRP      #0C0H
DJNZ     R1,LOOP
```

DJNZ is typically used to control a "loop" of instructions. In many cases, a label is used as the destination operand instead of a numeric relative address value. In the example, working register R1 contains the value 02H, and LOOP is the label for a relative address.

The statement "DJNZ R1, LOOP" decrements register R1 by one, leaving the value 01H. Because the contents of R1 after the decrement are non-zero, the jump is taken to the relative address specified by the LOOP label.

EI — Enable Interrupts

EI

Operation: SYM (0) \leftarrow 1

An EI instruction sets bit zero of the system mode register, SYM.0 to "1". This allows interrupts to be serviced as they occur (assuming they have highest priority). If an interrupt's pending bit was set while interrupt processing was disabled (by executing a DI instruction), it will be serviced when you execute the EI instruction.

Flags: No flags are affected.

Format:

	Bytes	Cycles	Opcode (Hex)
opc	1	4	9F

Example: Given: SYM = 00H:

EI

If the SYM register contains the value 00H, that is, if interrupts are currently disabled, the statement "EI" sets the SYM register to 01H, enabling all interrupts. (SYM.0 is the enable bit for global interrupt processing.)

ENTER — Enter

ENTER

Operation:

```

SP ← SP - 2
@SP ← IP
IP ← PC
PC ← @IP
IP ← IP + 2
    
```

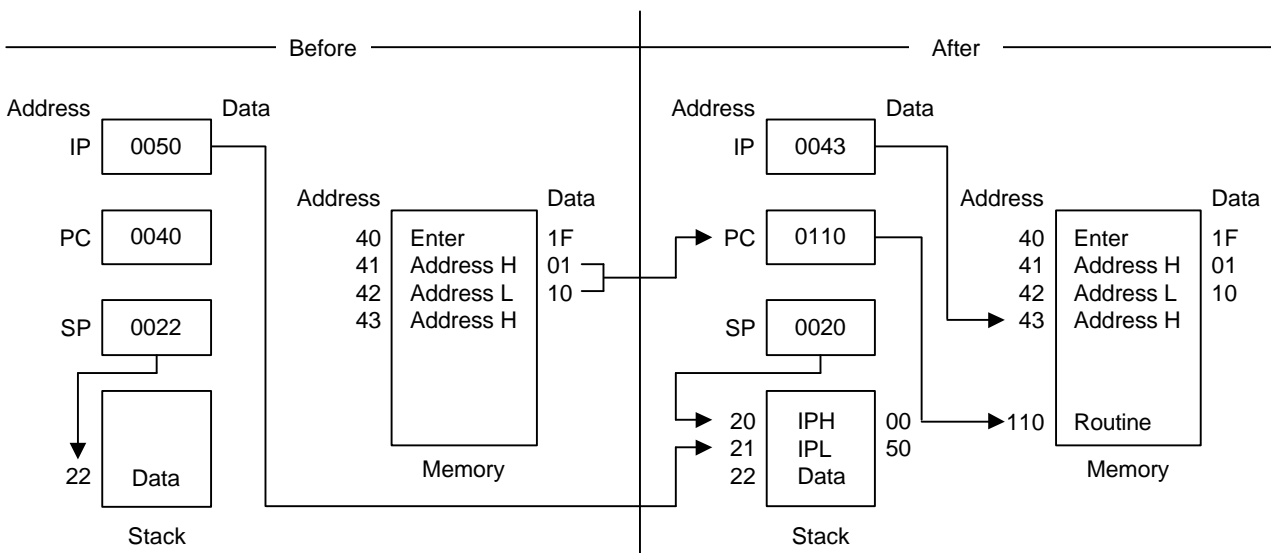
This instruction is useful when implementing threaded-code languages. The contents of the instruction pointer are pushed to the stack. The program counter (PC) value is then written to the instruction pointer. The program memory word that is pointed to by the instruction pointer is loaded into the PC, and the instruction pointer is incremented by two.

Flags: No flags are affected.

Format:

	Bytes	Cycles	Opcode (Hex)
opc	1	14	1F

Example: The diagram below shows one example of how to use an ENTER statement.



EXIT — Exit

EXIT

Operation:

```

IP ← @SP
SP ← SP + 2
PC ← @IP
IP ← IP + 2
    
```

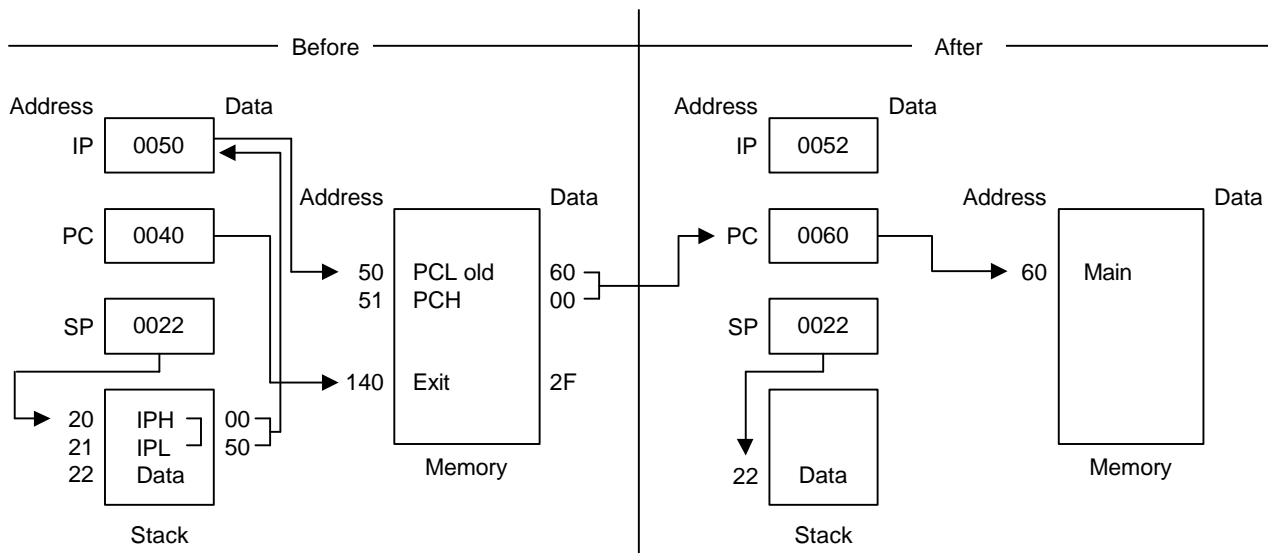
This instruction is useful when implementing threaded-code languages. The stack value is popped and loaded into the instruction pointer. The program memory word that is pointed to by the instruction pointer is then loaded into the program counter, and the instruction pointer is incremented by two.

Flags: No flags are affected.

Format:

	Bytes	Cycles	Opcode (Hex)
<div style="border: 1px solid black; padding: 2px 10px; display: inline-block;">opc</div>	1	14 (internal stack) 16 (internal stack)	2F

Example: The diagram below shows one example of how to use an EXIT statement.



IDLE — Idle Operation

IDLE

Operation:

The IDLE instruction stops the CPU clock while allowing system clock oscillation to continue. Idle mode can be released by an interrupt request (IRQ) or an external reset operation.

Flags: No flags are affected.

Format:

	Bytes	Cycles	Opcode (Hex)	Addr <u>dst</u>	Mode <u>src</u>
opc	1	4	6F	–	–

Example: The instruction

```
IDLE
NOP
NOP
NOP
```

stops the CPU clock but not the system clock.

INC — Increment

INC dst

Operation: $\text{dst} \leftarrow \text{dst} + 1$

The contents of the destination operand are incremented by one.

Flags: **C:** Unaffected.
Z: Set if the result is "0"; cleared otherwise.
S: Set if the result is negative; cleared otherwise.
V: Set if arithmetic overflow occurred; cleared otherwise.
D: Unaffected.
H: Unaffected.

Format:

	Bytes	Cycles	Opcode (Hex)	Addr Mode <u>dst</u>
dst opc	1	4	rE r = 0 to F	r
opc dst	2	4	20	R
		4	21	IR

Example: Given: R0 = 1BH, register 00H = 0CH, and register 1BH = 0FH:

INC R0 → R0 = 1CH
 INC 00H → Register 00H = 0DH
 INC @R0 → R0 = 1BH, register 01H = 10H

In the first example, if destination working register R0 contains the value 1BH, the statement "INC R0" leaves the value 1CH in that same register.

The next example shows the effect an INC instruction has on register 00H, assuming that it contains the value 0CH.

In the third example, INC is used in Indirect Register (IR) addressing mode to increment the value of register 1BH from 0FH to 10H.

INCW — Increment Word

INCW dst

Operation: $dst \leftarrow dst + 1$

The contents of the destination (which must be an even address) and the byte following that location are treated as a single 16-bit value that is incremented by one.

Flags:

- C:** Unaffected.
- Z:** Set if the result is "0"; cleared otherwise.
- S:** Set if the result is negative; cleared otherwise.
- V:** Set if arithmetic overflow occurred; cleared otherwise.
- D:** Unaffected.
- H:** Unaffected.

Format:

		Bytes	Cycles	Opcode (Hex)	Addr Mode <u>dst</u>
opc	dst	2	8	A0	RR
			8	A1	IR

Example: Given: R0 = 1AH, R1 = 02H, register 02H = 0FH, and register 03H = 0FFH:

INCW RR0 → R0 = 1AH, R1 = 03H

INCW @R1 → Register 02H = 10H, register 03H = 00H

In the first example, the working register pair RR0 contains the value 1AH in register R0 and 02H in register R1. The statement "INCW RR0" increments the 16-bit destination by one, leaving the value 03H in register R1. In the second example, the statement "INCW @R1" uses Indirect Register (IR) addressing mode to increment the contents of general register 03H from 0FFH to 00H and register 02H from 0FH to 10H.

NOTE: A system malfunction may occur if you use a Zero (Z) flag (FLAGS.6) result together with an INCW instruction. To avoid this problem, we recommend that you use INCW as shown in the following example:

```

LOOP:  INCW   RR0
        LD    R2,R1
        OR   R2,R0
        JR   NZ,LOOP
  
```

IRET — Interrupt Return

IRET	<u>IRET (Normal)</u>	<u>IRET (Fast)</u>
Operation:	$FLAGS \leftarrow @SP$ $SP \leftarrow SP + 1$ $PC \leftarrow @SP$ $SP \leftarrow SP + 2$ $SYM(0) \leftarrow 1$	$PC \leftrightarrow IP$ $FLAGS \leftarrow FLAGS'$ $FIS \leftarrow 0$

This instruction is used at the end of an interrupt service routine. It restores the flag register and the program counter. It also re-enables global interrupts. A "normal IRET" is executed only if the fast interrupt status bit (FIS, bit one of the FLAGS register, 0D5H) is cleared (= "0"). If a fast interrupt occurred, IRET clears the FIS bit that was set at the beginning of the service routine.

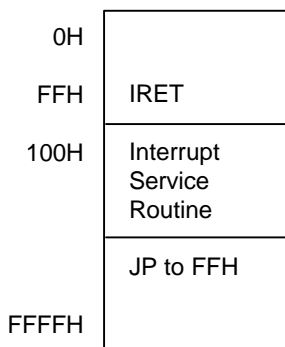
Flags: All flags are restored to their original settings (that is, the settings before the interrupt occurred).

Format:

IRET (Normal)	Bytes	Cycles	Opcode (Hex)
opc	1	10 (internal stack) 12 (external stack)	BF

IRET (Fast)	Bytes	Cycles	Opcode (Hex)
opc	1	6	BF

Example: In the figure below, the instruction pointer is initially loaded with 100H in the main program before interrupts are enabled. When an interrupt occurs, the program counter and instruction pointer are swapped. This causes the PC to jump to address 100H and the IP to keep the return address. The last instruction in the service routine normally is a jump to IRET at address FFH. This causes the instruction pointer to be loaded with 100H "again" and the program counter to jump back to the main program. Now, the next interrupt can occur and the IP is still correct at 100H.



NOTE: In the fast interrupt example above, if the last instruction is not a jump to IRET, you must pay attention to the order of the last two instructions. The IRET cannot be immediately proceeded by a clearing of the interrupt status (as with a reset of the IPR register).

JP — Jump

JP cc,dst (Conditional)

JP dst (Unconditional)

Operation: If cc is true, $PC \leftarrow dst$

The conditional JUMP instruction transfers program control to the destination address if the condition specified by the condition code (cc) is true; otherwise, the instruction following the JP instruction is executed. The unconditional JP simply replaces the contents of the PC with the contents of the specified register pair. Control then passes to the statement addressed by the PC.

Flags: No flags are affected.

Format: ⁽¹⁾

		Bytes	Cycles	Opcode (Hex)	Addr Mode <u>dst</u>
(2)					
cc	opc	3	8	ccD	DA
				cc = 0 to F	
opc	dst	2	8	30	IRR

NOTES:

1. The 3-byte format is used for a conditional jump and the 2-byte format for an unconditional jump.
2. In the first byte of the three-byte instruction format (conditional jump), the condition code and the opcode are both four bits.

Example: Given: The carry flag (C) = "1", register 00 = 01H, and register 01 = 20H:

JP C,LABEL_W → LABEL_W = 1000H, PC = 1000H

JP @00H → PC = 0120H

The first example shows a conditional JP. Assuming that the carry flag is set to "1", the statement

"JP C,LABEL_W" replaces the contents of the PC with the value 1000H and transfers control to that location. Had the carry flag not been set, control would then have passed to the statement immediately following the JP instruction.

The second example shows an unconditional JP. The statement "JP @00" replaces the contents of the PC with the contents of the register pair 00H and 01H, leaving the value 0120H.

JR — Jump Relative

JR cc,dst

Operation: If cc is true, $PC \leftarrow PC + dst$

If the condition specified by the condition code (cc) is true, the relative address is added to the program counter and control passes to the statement whose address is now in the program counter; otherwise, the instruction following the JR instruction is executed. (See list of condition codes).

The range of the relative address is +127, -128, and the original value of the program counter is taken to be the address of the first instruction byte following the JR statement.

Flags: No flags are affected.

Format:

(1)			Bytes	Cycles	Opcode (Hex)	Addr Mode <u>dst</u>
cc		opc	2	6	ccB	RA
cc = 0 to F						

NOTE: In the first byte of the two-byte instruction format, the condition code and the opcode are each four bits.

Example: Given: The carry flag = "1" and LABEL_X = 1FF7H:

JR C,LABEL_X → PC = 1FF7H

If the carry flag is set (that is, if the condition code is true), the statement "JR C,LABEL_X" will pass control to the statement whose address is now in the PC. Otherwise, the program instruction following the JR would be executed.

LD — Load

LD dst,src

Operation: dst ← src

The contents of the source are loaded into the destination. The source's contents are unaffected.

Flags: No flags are affected.

Format:

			Bytes	Cycles	Opcode (Hex)	Addr <u>dst</u>	Mode <u>src</u>
dst opc	src		2	4	rC	r	IM
				4	r8	r	R
src opc	dst		2	4	r9	R	r
opc	dst src		2	4	C7	r	lr
				4	D7	lr	r
opc	src	dst	3	6	E4	R	R
				6	E5	R	IR
opc	dst	src	3	6	E6	R	IM
				6	D6	IR	IM
opc	src	dst	3	6	F5	IR	R
opc	dst src	x	3	6	87	r	x [r]
opc	src dst	x	3	6	97	x [r]	r



LD — Load

LD (Continued)

Examples: Given: R0 = 01H, R1 = 0AH, register 00H = 01H, register 01H = 20H, register 02H = 02H, LOOP = 30H, and register 3AH = 0FFH:

LD	R0,#10H	→	R0 = 10H
LD	R0,01H	→	R0 = 20H, register 01H = 20H
LD	01H,R0	→	Register 01H = 01H, R0 = 01H
LD	R1,@R0	→	R1 = 20H, R0 = 01H
LD	@R0,R1	→	R0 = 01H, R1 = 0AH, register 01H = 0AH
LD	00H,01H	→	Register 00H = 20H, register 01H = 20H
LD	02H,@00H	→	Register 02H = 20H, register 00H = 01H
LD	00H,#0AH	→	Register 00H = 0AH
LD	@00H,#10H	→	Register 00H = 01H, register 01H = 10H
LD	@00H,02H	→	Register 00H = 01H, register 01H = 02, register 02H = 02H
LD	R0,#LOOP[R1]	→	R0 = 0FFH, R1 = 0AH
LD	#LOOP[R0],R1	→	Register 31H = 0AH, R0 = 01H, R1 = 0AH

LDB — Load Bit

LDB dst,src.b

LDB dst.b,src

Operation: $\text{dst}(0) \leftarrow \text{src}(b)$
 or
 $\text{dst}(b) \leftarrow \text{src}(0)$

The specified bit of the source is loaded into bit zero (LSB) of the destination, or bit zero of the source is loaded into the specified bit of the destination. No other bits of the destination are affected. The source is unaffected.

Flags: No flags are affected.

Format:

			Bytes	Cycles	Opcode (Hex)	Addr Mode <u>dst</u> <u>src</u>
opc	dst b 0	src	3	6	47	r0 Rb
opc	src b 1	dst	3	6	47	Rb r0

NOTE: In the second byte of the instruction formats, the destination (or source) address is four bits, the bit address 'b' is three bits, and the LSB address value is one bit in length.

Examples: Given: R0 = 06H and general register 00H = 05H:

LDB R0,00H.2 → R0 = 07H, register 00H = 05H

LDB 00H.0,R0 → R0 = 06H, register 00H = 04H

In the first example, destination working register R0 contains the value 06H and the source general register 00H the value 05H. The statement "LD R0,00H.2" loads the bit two value of the 00H register into bit zero of the R0 register, leaving the value 07H in register R0.

In the second example, 00H is the destination register. The statement "LD 00H.0,R0" loads bit zero of register R0 to the specified bit (bit zero) of the destination register, leaving 04H in general register 00H.

LDC/LDE — Load Memory

LDC/LDE dst,src

Operation: dst ← src

This instruction loads a byte from program or data memory into a working register or vice-versa. The source values are unaffected. LDC refers to program memory and LDE to data memory. The assembler makes 'lrr' or 'rr' values an even number for program memory and odd an odd number for data memory.

Flags: No flags are affected.

Format:

		Bytes	Cycles	Opcode (Hex)	Addr <u>dst</u>	Mode <u>src</u>				
1.	<table border="1"><tr><td>opc</td><td>dst src</td></tr></table>	opc	dst src	2	10	C3	r	lrr		
opc	dst src									
2.	<table border="1"><tr><td>opc</td><td>src dst</td></tr></table>	opc	src dst	2	10	D3	lrr	r		
opc	src dst									
3.	<table border="1"><tr><td>opc</td><td>dst src</td><td>XS</td></tr></table>	opc	dst src	XS	3	12	E7	r	XS [rr]	
opc	dst src	XS								
4.	<table border="1"><tr><td>opc</td><td>src dst</td><td>XS</td></tr></table>	opc	src dst	XS	3	12	F7	XS [rr]	r	
opc	src dst	XS								
5.	<table border="1"><tr><td>opc</td><td>dst src</td><td>XL_L</td><td>XL_H</td></tr></table>	opc	dst src	XL _L	XL _H	4	14	A7	r	XL [rr]
opc	dst src	XL _L	XL _H							
6.	<table border="1"><tr><td>opc</td><td>src dst</td><td>XL_L</td><td>XL_H</td></tr></table>	opc	src dst	XL _L	XL _H	4	14	B7	XL [rr]	r
opc	src dst	XL _L	XL _H							
7.	<table border="1"><tr><td>opc</td><td>dst 0000</td><td>DA_L</td><td>DA_H</td></tr></table>	opc	dst 0000	DA _L	DA _H	4	14	A7	r	DA
opc	dst 0000	DA _L	DA _H							
8.	<table border="1"><tr><td>opc</td><td>src 0000</td><td>DA_L</td><td>DA_H</td></tr></table>	opc	src 0000	DA _L	DA _H	4	14	B7	DA	r
opc	src 0000	DA _L	DA _H							
9.	<table border="1"><tr><td>opc</td><td>dst 0001</td><td>DA_L</td><td>DA_H</td></tr></table>	opc	dst 0001	DA _L	DA _H	4	14	A7	r	DA
opc	dst 0001	DA _L	DA _H							
10.	<table border="1"><tr><td>opc</td><td>src 0001</td><td>DA_L</td><td>DA_H</td></tr></table>	opc	src 0001	DA _L	DA _H	4	14	B7	DA	r
opc	src 0001	DA _L	DA _H							

NOTES:

1. The source (src) or working register pair [rr] for formats 5 and 6 cannot use register pair 0–1.
2. For formats 3 and 4, the destination address 'XS [rr]' and the source address 'XS [rr]' are each one byte.
3. For formats 5 and 6, the destination address 'XL [rr]' and the source address 'XL [rr]' are each two bytes.
4. The DA and r source values for formats 7 and 8 are used to address program memory; the second set of values, used in formats 9 and 10, are used to address data memory.

LDC/LDE — Load Memory

LDC/LDE (Continued)

Examples: Given: R0 = 11H, R1 = 34H, R2 = 01H, R3 = 04H; Program memory locations 0103H = 4FH, 0104H = 1A, 0105H = 6DH, and 1104H = 88H. External data memory locations 0103H = 5FH, 0104H = 2AH, 0105H = 7DH, and 1104H = 98H:

LDC	R0,@RR2	; R0 ← contents of program memory location 0104H ; R0 = 1AH, R2 = 01H, R3 = 04H
LDE	R0,@RR2	; R0 ← contents of external data memory location 0104H ; R0 = 2AH, R2 = 01H, R3 = 04H
LDC (note)	@RR2,R0	; 11H (contents of R0) is loaded into program memory ; location 0104H (RR2), ; working registers R0, R2, R3 → no change
LDE	@RR2,R0	; 11H (contents of R0) is loaded into external data memory ; location 0104H (RR2), ; working registers R0, R2, R3 → no change
LDC	R0,#01H[RR2]	; R0 ← contents of program memory location 0105H ; (01H + RR2), ; R0 = 6DH, R2 = 01H, R3 = 04H
LDE	R0,#01H[RR2]	; R0 ← contents of external data memory location 0105H ; (01H + RR2), R0 = 7DH, R2 = 01H, R3 = 04H
LDC (note)	#01H[RR2],R0	; 11H (contents of R0) is loaded into program memory location ; 0105H (01H + 0104H)
LDE	#01H[RR2],R0	; 11H (contents of R0) is loaded into external data memory ; location 0105H (01H + 0104H)
LDC	R0,#1000H[RR2]	; R0 ← contents of program memory location 1104H ; (1000H + 0104H), R0 = 88H, R2 = 01H, R3 = 04H
LDE	R0,#1000H[RR2]	; R0 ← contents of external data memory location 1104H ; (1000H + 0104H), R0 = 98H, R2 = 01H, R3 = 04H
LDC	R0,1104H	; R0 ← contents of program memory location 1104H, R0 = 88H
LDE	R0,1104H	; R0 ← contents of external data memory location 1104H, ; R0 = 98H
LDC (note)	1105H,R0	; 11H (contents of R0) is loaded into program memory location ; 1105H, (1105H) ← 11H
LDE	1105H,R0	; 11H (contents of R0) is loaded into external data memory ; location 1105H, (1105H) ← 11H

NOTE: These instructions are not supported by masked ROM type devices.

LDCD/LDED — Load Memory and Decrement

LDCD/LDED dst,src

Operation: dst ← src

rr ← rr – 1

These instructions are used for user stacks or block transfers of data from program or data memory to the register file. The address of the memory location is specified by a working register pair. The contents of the source location are loaded into the destination location. The memory address is then decremented. The contents of the source are unaffected.

LDCD references program memory and LDED references external data memory. The assembler makes 'lrr' an even number for program memory and an odd number for data memory.

Flags: No flags are affected.

Format:

		Bytes	Cycles	Opcode (Hex)	Addr Mode <u>dst</u> <u>src</u>
opc	dst src	2	10	E2	r lrr

Examples: Given: R6 = 10H, R7 = 33H, R8 = 12H, program memory location 1033H = 0CDH, and external data memory location 1033H = 0DDH:

```
LDCD    R8,@RR6    ; 0CDH (contents of program memory location 1033H) is loaded
           ; into R8 and RR6 is decremented by one
           ; R8 = 0CDH, R6 = 10H, R7 = 32H (RR6 ← RR6 – 1)
```

```
LDED    R8,@RR6    ; 0DDH (contents of data memory location 1033H) is loaded
           ; into R8 and RR6 is decremented by one (RR6 ← RR6 – 1)
           ; R8 = 0DDH, R6 = 10H, R7 = 32H
```

LDCI/LDEI — Load Memory and Increment

LDCI/LDEI dst,src

Operation: dst ← src

rr ← rr + 1

These instructions are used for user stacks or block transfers of data from program or data memory to the register file. The address of the memory location is specified by a working register pair. The contents of the source location are loaded into the destination location. The memory address is then incremented automatically. The contents of the source are unaffected.

LDCI refers to program memory and LDEI refers to external data memory. The assembler makes 'lrr' even for program memory and odd for data memory.

Flags: No flags are affected.

Format:

		Bytes	Cycles	Opcode (Hex)	Addr Mode <u>dst</u> <u>src</u>
opc	dst src	2	10	E3	r lrr

Examples: Given: R6 = 10H, R7 = 33H, R8 = 12H, program memory locations 1033H = 0CDH and 1034H = 0C5H; external data memory locations 1033H = 0DDH and 1034H = 0D5H:

LDCI R8,@RR6 ; 0CDH (contents of program memory location 1033H) is loaded
 ; into R8 and RR6 is incremented by one (RR6 ← RR6 + 1)
 ; R8 = 0CDH, R6 = 10H, R7 = 34H

LDEI R8,@RR6 ; 0DDH (contents of data memory location 1033H) is loaded
 ; into R8 and RR6 is incremented by one (RR6 ← RR6 + 1)
 ; R8 = 0DDH, R6 = 10H, R7 = 34H

LDCPD/LDEPD — Load Memory with Pre-Decrement

LDCPD/

LDEPD dst,src

Operation: $rr \leftarrow rr - 1$

$dst \leftarrow src$

These instructions are used for block transfers of data from program or data memory from the register file. The address of the memory location is specified by a working register pair and is first decremented. The contents of the source location are then loaded into the destination location. The contents of the source are unaffected.

LDCPD refers to program memory and LDEPD refers to external data memory. The assembler makes 'lrr' an even number for program memory and an odd number for external data memory.

Flags: No flags are affected.

Format:

		Bytes	Cycles	Opcode (Hex)	Addr Mode <u>dst</u> <u>src</u>
opc	src dst	2	14	F2	lrr r

Examples: Given: R0 = 77H, R6 = 30H, and R7 = 00H:

```
LDCPD    @RR6,R0        ; (RR6 ← RR6 - 1)
                         ; 77H (contents of R0) is loaded into program memory location
                         ; 2FFFH (3000H - 1H)
                         ; R0 = 77H, R6 = 2FH, R7 = 0FFH
```

```
LDEPD    @RR6,R0        ; (RR6 ← RR6 - 1)
                         ; 77H (contents of R0) is loaded into external data memory
                         ; location 2FFFH (3000H - 1H)
                         ; R0 = 77H, R6 = 2FH, R7 = 0FFH
```

LDCPI/LDEPI — Load Memory with Pre-Increment

LDCPI/

LDEPI dst,src

Operation: $rr \leftarrow rr + 1$
 $dst \leftarrow src$

These instructions are used for block transfers of data from program or data memory from the register file. The address of the memory location is specified by a working register pair and is first incremented. The contents of the source location are loaded into the destination location. The contents of the source are unaffected.

LDCPI refers to program memory and LDEPI refers to external data memory. The assembler makes 'lrr' an even number for program memory and an odd number for data memory.

Flags: No flags are affected.

Format:

		Bytes	Cycles	Opcode (Hex)	Addr Mode <u>dst</u> <u>src</u>
opc	src dst	2	14	F3	lrr r

Examples: Given: R0 = 7FH, R6 = 21H, and R7 = 0FFH:

```
LDCPI  @RR6,R0      ; (RR6 ← RR6 + 1)
          ; 7FH (contents of R0) is loaded into program memory
          ; location 2200H (21FFH + 1H)
          ; R0 = 7FH, R6 = 22H, R7 = 00H
```

```
LDEPI  @RR6,R0      ; (RR6 ← RR6 + 1)
          ; 7FH (contents of R0) is loaded into external data memory
          ; location 2200H (21FFH + 1H)
          ; R0 = 7FH, R6 = 22H, R7 = 00H
```

LDW — Load Word

LDW dst,src

Operation: dst ← src

The contents of the source (a word) are loaded into the destination. The contents of the source are unaffected.

Flags: No flags are affected.

Format:

			Bytes	Cycles	Opcode (Hex)	Addr Mode <u>dst</u> <u>src</u>
opc	src	dst	3	8	C4	RR RR
				8	C5	RR IR
opc	dst	src	4	8	C6	RR IML

Examples: Given: R4 = 06H, R5 = 1CH, R6 = 05H, R7 = 02H, register 00H = 1AH, register 01H = 02H, register 02H = 03H, and register 03H = 0FH:

LDW RR6,RR4 → R6 = 06H, R7 = 1CH, R4 = 06H, R5 = 1CH

LDW 00H,02H → Register 00H = 03H, register 01H = 0FH, register 02H = 03H, register 03H = 0FH

LDW RR2,@R7 → R2 = 03H, R3 = 0FH,

LDW 04H,@01H → Register 04H = 03H, register 05H = 0FH

LDW RR6,#1234H → R6 = 12H, R7 = 34H

LDW 02H,#0FEDH → Register 02H = 0FH, register 03H = 0EDH

In the second example, please note that the statement "LDW 00H,02H" loads the contents of the source word 02H, 03H into the destination word 00H, 01H. This leaves the value 03H in general register 00H and the value 0FH in register 01H.

The other examples show how to use the LDW instruction with various addressing modes and formats.

MULT — Multiply (Unsigned)

MULT dst,src

Operation: $dst \leftarrow dst \times src$

The 8-bit destination operand (even register of the register pair) is multiplied by the source operand (8 bits) and the product (16 bits) is stored in the register pair specified by the destination address. Both operands are treated as unsigned integers.

Flags:

- C:** Set if result is > 255 ; cleared otherwise.
- Z:** Set if the result is "0"; cleared otherwise.
- S:** Set if MSB of the result is a "1"; cleared otherwise.
- V:** Cleared.
- D:** Unaffected.
- H:** Unaffected.

Format:

			Bytes	Cycles	Opcode (Hex)	Addr Mode <u>dst</u> <u>src</u>
opc	src	dst	3	22	84	RR R
				22	85	RR IR
				22	86	RR IM

Examples: Given: Register 00H = 20H, register 01H = 03H, register 02H = 09H, register 03H = 06H:

MULT 00H, 02H → Register 00H = 01H, register 01H = 20H, register 02H = 09H

MULT 00H, @01H → Register 00H = 00H, register 01H = 0C0H

MULT 00H, #30H → Register 00H = 06H, register 01H = 00H

In the first example, the statement "MULT 00H,02H" multiplies the 8-bit destination operand (in the register 00H of the register pair 00H, 01H) by the source register 02H operand (09H). The 16-bit product, 0120H, is stored in the register pair 00H, 01H.

NEXT — Next

NEXT

Operation: PC ← @ IP
 IP ← IP + 2

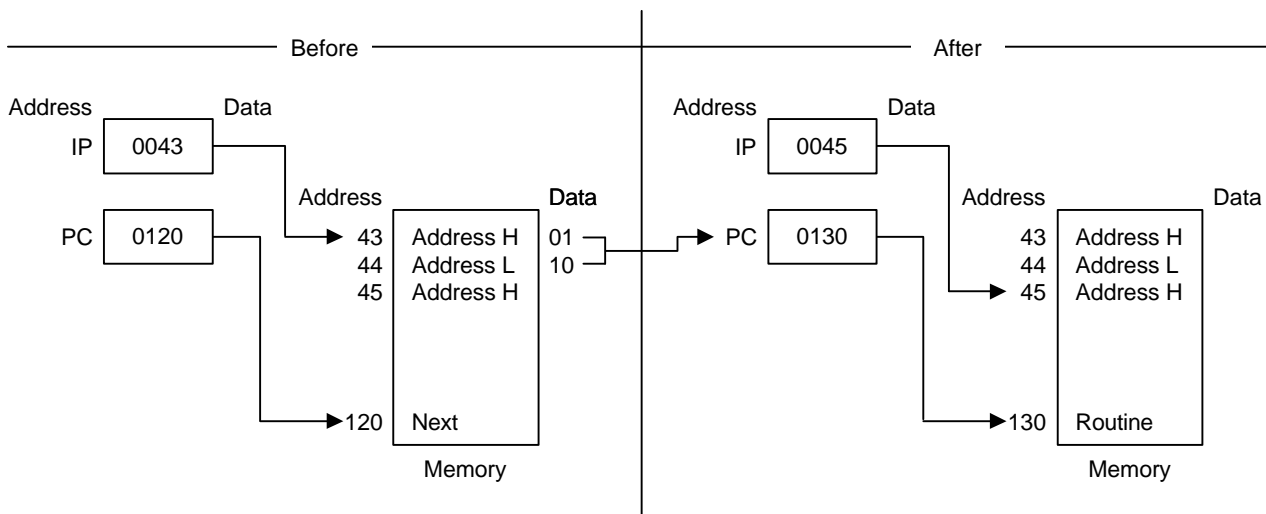
The NEXT instruction is useful when implementing threaded-code languages. The program memory word that is pointed to by the instruction pointer is loaded into the program counter. The instruction pointer is then incremented by two.

Flags: No flags are affected.

Format:

	Bytes	Cycles	Opcode (Hex)
opc	1	10	0F

Example: The following diagram shows one example of how to use the NEXT instruction.



NOP — No Operation

NOP

Operation: No action is performed when the CPU executes this instruction. Typically, one or more NOPs are executed in sequence in order to effect a timing delay of variable duration.

Flags: No flags are affected.

Format:

	Bytes	Cycles	Opcode (Hex)
opc	1	4	FF

Example: When the instruction

NOP

is encountered in a program, no operation occurs. Instead, there is a delay in instruction execution time.

OR — Logical OR

OR dst,src

Operation: dst ← dst OR src

The source operand is logically ORed with the destination operand and the result is stored in the destination. The contents of the source are unaffected. The OR operation results in a "1" being stored whenever either of the corresponding bits in the two operands is a "1"; otherwise a "0" is stored.

Flags:

- C:** Unaffected.
- Z:** Set if the result is "0"; cleared otherwise.
- S:** Set if the result bit 7 is set; cleared otherwise.
- V:** Always cleared to "0".
- D:** Unaffected.
- H:** Unaffected.

Format:

		Bytes	Cycles	Opcode (Hex)	Addr <u>dst</u>	Mode <u>src</u>			
<table border="1" style="margin: 0 auto;"> <tr> <td style="padding: 2px 10px;">opc</td> <td style="padding: 2px 10px;">dst src</td> </tr> </table>	opc	dst src		2	4	42	r	r	
	opc	dst src							
			6	43	r	lr			
<table border="1" style="margin: 0 auto;"> <tr> <td style="padding: 2px 10px;">opc</td> <td style="padding: 2px 10px;">src</td> <td style="padding: 2px 10px;">dst</td> </tr> </table>	opc	src	dst		3	6	44	R	R
	opc	src	dst						
			6	45	R	IR			
<table border="1" style="margin: 0 auto;"> <tr> <td style="padding: 2px 10px;">opc</td> <td style="padding: 2px 10px;">dst</td> <td style="padding: 2px 10px;">src</td> </tr> </table>	opc	dst	src		3	6	46	R	IM
opc	dst	src							

Examples: Given: R0 = 15H, R1 = 2AH, R2 = 01H, register 00H = 08H, register 01H = 37H, and register 08H = 8AH:

```

OR    R0,R1    →    R0 = 3FH, R1 = 2AH
OR    R0,@R2   →    R0 = 37H, R2 = 01H, register 01H = 37H
OR    00H,01H  →    Register 00H = 3FH, register 01H = 37H
OR    01H,@00H →    Register 00H = 08H, register 01H = 0BFH
OR    00H,#02H →    Register 00H = 0AH

```

In the first example, if working register R0 contains the value 15H and register R1 the value 2AH, the statement "OR R0,R1" logical-ORs the R0 and R1 register contents and stores the result (3FH) in destination register R0.

The other examples show the use of the logical OR instruction with the various addressing modes and formats.

POP — Pop From Stack

POP dst

Operation: dst ← @SP

SP ← SP + 1

The contents of the location addressed by the stack pointer are loaded into the destination. The stack pointer is then incremented by one.

Flags: No flags affected.

Format:

		Bytes	Cycles	Opcode (Hex)	Addr Mode <u>dst</u>
opc	dst	2	8	50	R
			8	51	IR

Examples: Given: Register 00H = 01H, register 01H = 1BH, SPH (0D8H) = 00H, SPL (0D9H) = 0FBH, and stack register 0FBH = 55H:

POP 00H → Register 00H = 55H, SP = 00FCH

POP @00H → Register 00H = 01H, register 01H = 55H, SP = 00FCH

In the first example, general register 00H contains the value 01H. The statement "POP 00H" loads the contents of location 00FBH (55H) into destination register 00H and then increments the stack pointer by one. Register 00H then contains the value 55H and the SP points to location 00FCH.

POPUD — Pop User Stack (Decrementing)

POPUD dst,src

Operation: dst ← src
IR ← IR – 1

This instruction is used for user-defined stacks in the register file. The contents of the register file location addressed by the user stack pointer are loaded into the destination. The user stack pointer is then decremented.

Flags: No flags are affected.

Format:

			Bytes	Cycles	Opcode (Hex)	Addr Mode <u>dst</u> <u>src</u>
opc	src	dst	3	8	92	R IR

Example: Given: Register 00H = 42H (user stack pointer register), register 42H = 6FH, and register 02H = 70H:

POPUD 02H,@00H → Register 00H = 41H, register 02H = 6FH, register 42H = 6FH

If general register 00H contains the value 42H and register 42H the value 6FH, the statement "POPUD 02H,@00H" loads the contents of register 42H into the destination register 02H. The user stack pointer is then decremented by one, leaving the value 41H.

POPUI — Pop User Stack (Incrementing)

POPUI dst,src

Operation: dst ← src
 IR ← IR + 1

The POPUI instruction is used for user-defined stacks in the register file. The contents of the register file location addressed by the user stack pointer are loaded into the destination. The user stack pointer is then incremented.

Flags: No flags are affected.

Format:

			Bytes	Cycles	Opcode (Hex)	Addr Mode <u>dst</u> <u>src</u>
opc	src	dst	3	8	93	R IR

Example: Given: Register 00H = 01H and register 01H = 70H:

POPUI 02H,@00H → Register 00H = 02H, register 01H = 70H, register 02H = 70H

If general register 00H contains the value 01H and register 01H the value 70H, the statement "POPUI 02H,@00H" loads the value 70H into the destination general register 02H. The user stack pointer (register 00H) is then incremented by one, changing its value from 01H to 02H.

PUSHUD — Push User Stack (Decrementing)

PUSHUD dst,src

Operation: $IR \leftarrow IR - 1$
 $dst \leftarrow src$

This instruction is used to address user-defined stacks in the register file. PUSHUD decrements the user stack pointer and loads the contents of the source into the register addressed by the decremented stack pointer.

Flags: No flags are affected.

Format:

			Bytes	Cycles	Opcode (Hex)	Addr Mode <u>dst</u> <u>src</u>
opc	dst	src	3	8	82	IR R

Example: Given: Register 00H = 03H, register 01H = 05H, and register 02H = 1AH:

PUSHUD @00H,01H → Register 00H = 02H, register 01H = 05H, register 02H = 05H

If the user stack pointer (register 00H, for example) contains the value 03H, the statement "PUSHUD @00H,01H" decrements the user stack pointer by one, leaving the value 02H. The 01H register value, 05H, is then loaded into the register addressed by the decremented user stack pointer.

PUSHUI — Push User Stack (Incrementing)

PUSHUI dst,src

Operation: $IR \leftarrow IR + 1$

$dst \leftarrow src$

This instruction is used for user-defined stacks in the register file. PUSHUI increments the user stack pointer and then loads the contents of the source into the register location addressed by the incremented user stack pointer.

Flags: No flags are affected.

Format:

			Bytes	Cycles	Opcode (Hex)	Addr Mode <u>dst</u> <u>src</u>
opc	dst	src	3	8	83	IR R

Example: Given: Register 00H = 03H, register 01H = 05H, and register 04H = 2AH:

PUSHUI @00H,01H → Register 00H = 04H, register 01H = 05H, register 04H = 05H

If the user stack pointer (register 00H, for example) contains the value 03H, the statement "PUSHUI @00H,01H" increments the user stack pointer by one, leaving the value 04H. The 01H register value, 05H, is then loaded into the location addressed by the incremented user stack pointer.

RCF — Reset Carry Flag

RCF RCF

Operation: $C \leftarrow 0$

The carry flag is cleared to logic zero, regardless of its previous value.

Flags: **C:** Cleared to "0".

No other flags are affected.

Format:

	Bytes	Cycles	Opcode (Hex)
opc	1	4	CF

Example: Given: C = "1" or "0":

The instruction RCF clears the carry flag (C) to logic zero.

RET — Return

RET

Operation: PC \leftarrow @SP
 SP \leftarrow SP + 2

The RET instruction is normally used to return to the previously executing procedure at the end of a procedure entered by a CALL instruction. The contents of the location addressed by the stack pointer are popped into the program counter. The next statement that is executed is the one that is addressed by the new program counter value.

Flags: No flags are affected.

Format:

	Bytes	Cycles	Opcode (Hex)
opc	1	8 (internal stack) 10 (external stack)	AF

Example: Given: SP = 00FCH, (SP) = 101AH, and PC = 1234:

RET \rightarrow PC = 101AH, SP = 00FEH

The statement "RET" pops the contents of stack pointer location 00FCH (10H) into the high byte of the program counter. The stack pointer then pops the value in location 00FEH (1AH) into the PC's low byte and the instruction at location 101AH is executed. The stack pointer now points to memory location 00FEH.

RL — Rotate Left

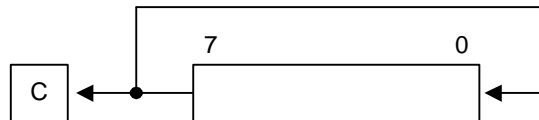
RL dst

Operation: $C \leftarrow \text{dst}(7)$

$\text{dst}(0) \leftarrow \text{dst}(7)$

$\text{dst}(n + 1) \leftarrow \text{dst}(n), n = 0-6$

The contents of the destination operand are rotated left one bit position. The initial value of bit 7 is moved to the bit zero (LSB) position and also replaces the carry flag.



Flags:

- C:** Set if the bit rotated from the most significant bit position (bit 7) was "1".
- Z:** Set if the result is "0"; cleared otherwise.
- S:** Set if the result bit 7 is set; cleared otherwise.
- V:** Set if arithmetic overflow occurred; cleared otherwise.
- D:** Unaffected.
- H:** Unaffected.

Format:

		Bytes	Cycles	Opcode (Hex)	Addr Mode <u>dst</u>
opc	dst	2	4	90	R
			4	91	IR

Examples: Given: Register 00H = 0AAH, register 01H = 02H and register 02H = 17H:

RL 00H → Register 00H = 55H, C = "1"

RL @01H → Register 01H = 02H, register 02H = 2EH, C = "0"

In the first example, if general register 00H contains the value 0AAH (10101010B), the statement "RL 00H" rotates the 0AAH value left one bit position, leaving the new value 55H (01010101B) and setting the carry and overflow flags.

RLC — Rotate Left Through Carry

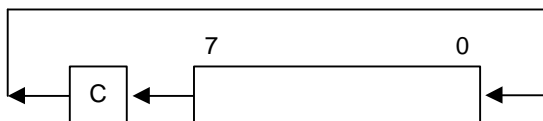
RLC dst

Operation: dst (0) ← C

 C ← dst (7)

 dst (n + 1) ← dst (n), n = 0–6

The contents of the destination operand with the carry flag are rotated left one bit position. The initial value of bit 7 replaces the carry flag (C); the initial value of the carry flag replaces bit zero.



Flags:

- C:** Set if the bit rotated from the most significant bit position (bit 7) was "1".
- Z:** Set if the result is "0"; cleared otherwise.
- S:** Set if the result bit 7 is set; cleared otherwise.
- V:** Set if arithmetic overflow occurred, that is, if the sign of the destination changed during rotation; cleared otherwise.
- D:** Unaffected.
- H:** Unaffected.

Format:

		Bytes	Cycles	Opcode (Hex)	Addr Mode <u>dst</u>
opc	dst	2	4	10	R
			4	11	IR

Examples: Given: Register 00H = 0AAH, register 01H = 02H, and register 02H = 17H, C = "0":

RLC 00H → Register 00H = 54H, C = "1"

RLC @01H → Register 01H = 02H, register 02H = 2EH, C = "0"

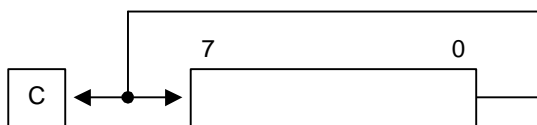
In the first example, if general register 00H has the value 0AAH (10101010B), the statement "RLC 00H" rotates 0AAH one bit position to the left. The initial value of bit 7 sets the carry flag and the initial value of the C flag replaces bit zero of register 00H, leaving the value 54H (01010101B). The MSB of register 00H resets the carry flag to "1" and sets the overflow flag.

RR — Rotate Right

RR dst

Operation: C ← dst (0)
 dst (7) ← dst (0)
 dst (n) ← dst (n + 1), n = 0–6

The contents of the destination operand are rotated right one bit position. The initial value of bit zero (LSB) is moved to bit 7 (MSB) and also replaces the carry flag (C).



Flags:
C: Set if the bit rotated from the least significant bit position (bit zero) was "1".
Z: Set if the result is "0"; cleared otherwise.
S: Set if the result bit 7 is set; cleared otherwise.
V: Set if arithmetic overflow occurred, that is, if the sign of the destination changed during rotation; cleared otherwise.
D: Unaffected.
H: Unaffected.

Format:

		Bytes	Cycles	Opcode (Hex)	Addr Mode <u>dst</u>		
<table border="1" style="display: inline-table;"> <tr> <td style="padding: 2px 10px;">opc</td> <td style="padding: 2px 10px;">dst</td> </tr> </table>	opc	dst		2	4	E0	R
	opc	dst					
			4	E1	IR		

Examples: Given: Register 00H = 31H, register 01H = 02H, and register 02H = 17H:

RR 00H → Register 00H = 98H, C = "1"
 RR @01H → Register 01H = 02H, register 02H = 8BH, C = "1"

In the first example, if general register 00H contains the value 31H (00110001B), the statement "RR 00H" rotates this value one bit position to the right. The initial value of bit zero is moved to bit 7, leaving the new value 98H (10011000B) in the destination register. The initial bit zero also resets the C flag to "1" and the sign flag and overflow flag are also set to "1".

RRC — Rotate Right Through Carry

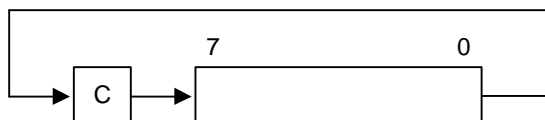
RRC dst

Operation: dst (7) ← C

 C ← dst (0)

 dst (n) ← dst (n + 1), n = 0–6

The contents of the destination operand and the carry flag are rotated right one bit position. The initial value of bit zero (LSB) replaces the carry flag; the initial value of the carry flag replaces bit 7 (MSB).



Flags:

- C:** Set if the bit rotated from the least significant bit position (bit zero) was "1".
- Z:** Set if the result is "0" cleared otherwise.
- S:** Set if the result bit 7 is set; cleared otherwise.
- V:** Set if arithmetic overflow occurred, that is, if the sign of the destination changed during rotation; cleared otherwise.
- D:** Unaffected.
- H:** Unaffected.

Format:

		Bytes	Cycles	Opcode (Hex)	Addr Mode <u>dst</u>
opc	dst	2	4	C0	R
			4	C1	IR

Examples: Given: Register 00H = 55H, register 01H = 02H, register 02H = 17H, and C = "0":

RRC 00H → Register 00H = 2AH, C = "1"

RRC @01H → Register 01H = 02H, register 02H = 0BH, C = "1"

In the first example, if general register 00H contains the value 55H (01010101B), the statement "RRC 00H" rotates this value one bit position to the right. The initial value of bit zero ("1") replaces the carry flag and the initial value of the C flag ("1") replaces bit 7. This leaves the new value 2AH (00101010B) in destination register 00H. The sign flag and overflow flag are both cleared to "0".

SB0 — Select Bank 0

SB0

Operation: BANK \leftarrow 0

The SB0 instruction clears the bank address flag in the FLAGS register (FLAGS.0) to logic zero, selecting bank 0 register addressing in the set 1 area of the register file.

Flags: No flags are affected.

Format:

	Bytes	Cycles	Opcode (Hex)
opc	1	4	4F

Example: The statement

SB0

clears FLAGS.0 to "0", selecting bank 0 register addressing.

SB1 — Select Bank 1

SB1

Operation: BANK ← 1

The SB1 instruction sets the bank address flag in the FLAGS register (FLAGS.0) to logic one, selecting bank 1 register addressing in the set 1 area of the register file. (Bank 1 is not implemented in some KS88-series microcontrollers.)

Flags: No flags are affected.

Format:

	Bytes	Cycles	Opcode (Hex)	
<table border="1"><tr><td>opc</td></tr></table>	opc	1	4	5F
opc				

Example: The statement

SB1

sets FLAGS.0 to "1", selecting bank 1 register addressing, if implemented.

SBC — Subtract With Carry

SBC dst,src

Operation: $dst \leftarrow dst - src - c$

The source operand, along with the current value of the carry flag, is subtracted from the destination operand and the result is stored in the destination. The contents of the source are unaffected. Subtraction is performed by adding the two's-complement of the source operand to the destination operand. In multiple precision arithmetic, this instruction permits the carry ("borrow") from the subtraction of the low-order operands to be subtracted from the subtraction of high-order operands.

Flags:

- C:** Set if a borrow occurred ($src > dst$); cleared otherwise.
- Z:** Set if the result is "0"; cleared otherwise.
- S:** Set if the result is negative; cleared otherwise.
- V:** Set if arithmetic overflow occurred, that is, if the operands were of opposite sign and the sign of the result is the same as the sign of the source; cleared otherwise.
- D:** Always set to "1".
- H:** Cleared if there is a carry from the most significant bit of the low-order four bits of the result; set otherwise, indicating a "borrow".

Format:

		Bytes	Cycles	Opcode (Hex)	Addr <u>dst</u>	Mode <u>src</u>			
<table border="1" style="display: inline-table; vertical-align: middle;"> <tr> <td style="padding: 2px 10px;">opc</td> <td style="padding: 2px 10px;">dst src</td> </tr> </table>	opc	dst src		2	4	32	r	r	
	opc	dst src							
			6	33	r	lr			
<table border="1" style="display: inline-table; vertical-align: middle;"> <tr> <td style="padding: 2px 10px;">opc</td> <td style="padding: 2px 10px;">src</td> <td style="padding: 2px 10px;">dst</td> </tr> </table>	opc	src	dst		3	6	34	R	R
	opc	src	dst						
			6	35	R	IR			
<table border="1" style="display: inline-table; vertical-align: middle;"> <tr> <td style="padding: 2px 10px;">opc</td> <td style="padding: 2px 10px;">dst</td> <td style="padding: 2px 10px;">src</td> </tr> </table>	opc	dst	src		3	6	36	R	IM
opc	dst	src							

Examples: Given: R1 = 10H, R2 = 03H, C = "1", register 01H = 20H, register 02H = 03H, and register 03H = 0AH:

SBC	R1,R2	→	R1 = 0CH, R2 = 03H
SBC	R1,@R2	→	R1 = 05H, R2 = 03H, register 03H = 0AH
SBC	01H,02H	→	Register 01H = 1CH, register 02H = 03H
SBC	01H,@02H	→	Register 01H = 15H, register 02H = 03H, register 03H = 0AH
SBC	01H,#8AH	→	Register 01H = 95H; C, S, and V = "1"

In the first example, if working register R1 contains the value 10H and register R2 the value 03H, the statement "SBC R1,R2" subtracts the source value (03H) and the C flag value ("1") from the destination (10H) and then stores the result (0CH) in register R1.

SCF — Set Carry Flag

SCF

Operation: $C \leftarrow 1$

The carry flag (C) is set to logic one, regardless of its previous value.

Flags: **C:** Set to "1".

No other flags are affected.

Format:

	Bytes	Cycles	Opcode (Hex)	
<table border="1"><tr><td>opc</td></tr></table>	opc	1	4	DF
opc				

Example: The statement

SCF

sets the carry flag to logic one.

SRA — Shift Right Arithmetic

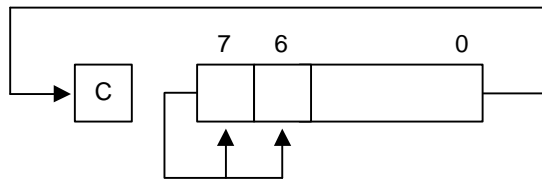
SRA dst

Operation: $\text{dst}(7) \leftarrow \text{dst}(7)$

$C \leftarrow \text{dst}(0)$

$\text{dst}(n) \leftarrow \text{dst}(n + 1), n = 0-6$

An arithmetic shift-right of one bit position is performed on the destination operand. Bit zero (the LSB) replaces the carry flag. The value of bit 7 (the sign bit) is unchanged and is shifted into bit position 6.



Flags:

- C:** Set if the bit shifted from the LSB position (bit zero) was "1".
- Z:** Set if the result is "0"; cleared otherwise.
- S:** Set if the result is negative; cleared otherwise.
- V:** Always cleared to "0".
- D:** Unaffected.
- H:** Unaffected.

Format:

		Bytes	Cycles	Opcode (Hex)	Addr Mode <u>dst</u>		
<table border="1" style="display: inline-table; vertical-align: middle;"> <tr> <td style="padding: 2px 10px;">opc</td> <td style="padding: 2px 10px;">dst</td> </tr> </table>	opc	dst		2	4	D0	R
	opc	dst					
			4	D1	IR		

Examples: Given: Register 00H = 9AH, register 02H = 03H, register 03H = 0BCH, and C = "1":

SRA 00H → Register 00H = 0CD, C = "0"

SRA @02H → Register 02H = 03H, register 03H = 0DEH, C = "0"

In the first example, if general register 00H contains the value 9AH (10011010B), the statement "SRA 00H" shifts the bit values in register 00H right one bit position. Bit zero ("0") clears the C flag and bit 7 ("1") is then shifted into the bit 6 position (bit 7 remains unchanged). This leaves the value 0CDH (11001101B) in destination register 00H.

STOP — Stop Operation

STOP

Operation:

The STOP instruction stops both the CPU clock and system clock and causes the microcontroller to enter Stop mode. During Stop mode, the contents of on-chip CPU registers, peripheral registers, and I/O port control and data registers are retained. Stop mode can be released by an external reset operation or by external interrupts. For the reset operation, the RESET pin must be held to Low level until the required oscillation stabilization interval has elapsed.

Flags: No flags are affected.

Format:

	Bytes	Cycles	Opcode (Hex)	Addr <u>dst</u>	Mode <u>src</u>
opc	1	4	7F	–	–

Example: The statement

```
STOP
NOP
NOP
NOP
```

halts all microcontroller operations.

SUB — Subtract

SUB dst,src

Operation: $dst \leftarrow dst - src$

The source operand is subtracted from the destination operand and the result is stored in the destination. The contents of the source are unaffected. Subtraction is performed by adding the two's complement of the source operand to the destination operand.

Flags:

- C:** Set if a "borrow" occurred; cleared otherwise.
- Z:** Set if the result is "0"; cleared otherwise.
- S:** Set if the result is negative; cleared otherwise.
- V:** Set if arithmetic overflow occurred, that is, if the operands were of opposite signs and the sign of the result is of the same as the sign of the source operand; cleared otherwise.
- D:** Always set to "1".
- H:** Cleared if there is a carry from the most significant bit of the low-order four bits of the result; set otherwise indicating a "borrow".

Format:

		Bytes	Cycles	Opcode (Hex)	Addr <u>dst</u>	Mode <u>src</u>		
<table border="1" style="display: inline-table; vertical-align: middle;"> <tr> <td style="padding: 5px;">opc</td> <td style="padding: 5px; border-right: 1px solid black;">dst src</td> </tr> </table>	opc	dst src	2	4	22	r	r	
	opc	dst src						
6	23	r	lr					
<table border="1" style="display: inline-table; vertical-align: middle;"> <tr> <td style="padding: 5px;">opc</td> <td style="padding: 5px; border-right: 1px solid black;">src</td> <td style="padding: 5px;">dst</td> </tr> </table>	opc	src	dst	3	6	24	R	R
	opc	src	dst					
6	25	R	IR					
<table border="1" style="display: inline-table; vertical-align: middle;"> <tr> <td style="padding: 5px;">opc</td> <td style="padding: 5px; border-right: 1px solid black;">dst</td> <td style="padding: 5px;">src</td> </tr> </table>	opc	dst	src	3	6	26	R	IM
opc	dst	src						

Examples: Given: R1 = 12H, R2 = 03H, register 01H = 21H, register 02H = 03H, register 03H = 0AH:

SUB R1,R2 → R1 = 0FH, R2 = 03H
 SUB R1,@R2 → R1 = 08H, R2 = 03H
 SUB 01H,02H → Register 01H = 1EH, register 02H = 03H
 SUB 01H,@02H → Register 01H = 17H, register 02H = 03H
 SUB 01H,#90H → Register 01H = 91H; C, S, and V = "1"
 SUB 01H,#65H → Register 01H = 0BCH; C and S = "1", V = "0"

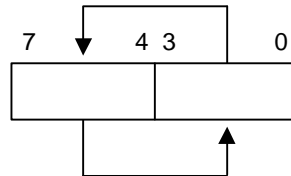
In the first example, if working register R1 contains the value 12H and if register R2 contains the value 03H, the statement "SUB R1,R2" subtracts the source value (03H) from the destination value (12H) and stores the result (0FH) in destination register R1.

SWAP — Swap Nibbles

SWAP dst

Operation: dst (0 – 3) ↔ dst (4 – 7)

The contents of the lower four bits and upper four bits of the destination operand are swapped.



Flags:

- C:** Undefined.
- Z:** Set if the result is "0"; cleared otherwise.
- S:** Set if the result bit 7 is set; cleared otherwise.
- V:** Undefined.
- D:** Unaffected.
- H:** Unaffected.

Format:

		Bytes	Cycles	Opcode (Hex)	Addr Mode <u>dst</u>
opc	dst	2	4	F0	R
			4	F1	IR

Examples: Given: Register 00H = 3EH, register 02H = 03H, and register 03H = 0A4H:

SWAP 00H → Register 00H = 0E3H

SWAP @02H → Register 02H = 03H, register 03H = 4AH

In the first example, if general register 00H contains the value 3EH (00111110B), the statement "SWAP 00H" swaps the lower and upper four bits (nibbles) in the 00H register, leaving the value 0E3H (11100011B).

TCM — Test Complement Under Mask

TCM dst,src

Operation: (NOT dst) AND src

This instruction tests selected bits in the destination operand for a logic one value. The bits to be tested are specified by setting a "1" bit in the corresponding position of the source operand (mask). The TCM statement complements the destination operand, which is then ANDed with the source mask. The zero (Z) flag can then be checked to determine the result. The destination and source operands are unaffected.

Flags:
C: Unaffected.
Z: Set if the result is "0"; cleared otherwise.
S: Set if the result bit 7 is set; cleared otherwise.
V: Always cleared to "0".
D: Unaffected.
H: Unaffected.

Format:

		Bytes	Cycles	Opcode (Hex)	Addr <u>dst</u>	Mode <u>src</u>
opc	dst src	2	4	62	r	r
			6	63	r	lr
opc	src	3	6	64	R	R
			6	65	R	IR
opc	dst	3	6	66	R	IM

Examples: Given: R0 = 0C7H, R1 = 02H, R2 = 12H, register 00H = 2BH, register 01H = 02H, and register 02H = 23H:

TCM R0,R1 → R0 = 0C7H, R1 = 02H, Z = "1"
 TCM R0,@R1 → R0 = 0C7H, R1 = 02H, register 02H = 23H, Z = "0"
 TCM 00H,01H → Register 00H = 2BH, register 01H = 02H, Z = "1"
 TCM 00H,@01H → Register 00H = 2BH, register 01H = 02H,
 register 02H = 23H, Z = "1"
 TCM 00H,#34 → Register 00H = 2BH, Z = "0"

In the first example, if working register R0 contains the value 0C7H (11000111B) and register R1 the value 02H (0000010B), the statement "TCM R0,R1" tests bit one in the destination register for a "1" value. Because the mask value corresponds to the test bit, the Z flag is set to logic one and can be tested to determine the result of the TCM operation.

TM — Test Under Mask

TM dst,src

Operation: dst AND src

This instruction tests selected bits in the destination operand for a logic zero value. The bits to be tested are specified by setting a "1" bit in the corresponding position of the source operand (mask), which is ANDed with the destination operand. The zero (Z) flag can then be checked to determine the result. The destination and source operands are unaffected.

Flags:

- C:** Unaffected.
- Z:** Set if the result is "0"; cleared otherwise.
- S:** Set if the result bit 7 is set; cleared otherwise.
- V:** Always reset to "0".
- D:** Unaffected.
- H:** Unaffected.

Format:

		Bytes	Cycles	Opcode (Hex)	Addr <u>dst</u>	Mode <u>src</u>			
<table border="1" style="display: inline-table; vertical-align: middle;"> <tr> <td style="padding: 2px 10px;">opc</td> <td style="padding: 2px 10px;">dst src</td> </tr> </table>	opc	dst src		2	4	72	r	r	
	opc	dst src							
			6	73	r	lr			
<table border="1" style="display: inline-table; vertical-align: middle;"> <tr> <td style="padding: 2px 10px;">opc</td> <td style="padding: 2px 10px;">src</td> <td style="padding: 2px 10px;">dst</td> </tr> </table>	opc	src	dst		3	6	74	R	R
	opc	src	dst						
			6	75	R	IR			
<table border="1" style="display: inline-table; vertical-align: middle;"> <tr> <td style="padding: 2px 10px;">opc</td> <td style="padding: 2px 10px;">dst</td> <td style="padding: 2px 10px;">src</td> </tr> </table>	opc	dst	src		3	6	76	R	IM
opc	dst	src							

Examples: Given: R0 = 0C7H, R1 = 02H, R2 = 18H, register 00H = 2BH, register 01H = 02H, and register 02H = 23H:

TM	R0,R1	→	R0 = 0C7H, R1 = 02H, Z = "0"
TM	R0,@R1	→	R0 = 0C7H, R1 = 02H, register 02H = 23H, Z = "0"
TM	00H,01H	→	Register 00H = 2BH, register 01H = 02H, Z = "0"
TM	00H,@01H	→	Register 00H = 2BH, register 01H = 02H, register 02H = 23H, Z = "0"
TM	00H,#54H	→	Register 00H = 2BH, Z = "1"

In the first example, if working register R0 contains the value 0C7H (11000111B) and register R1 the value 02H (00000010B), the statement "TM R0,R1" tests bit one in the destination register for a "0" value. Because the mask value does not match the test bit, the Z flag is cleared to logic zero and can be tested to determine the result of the TM operation.

WFI — Wait For Interrupt

WFI

Operation:

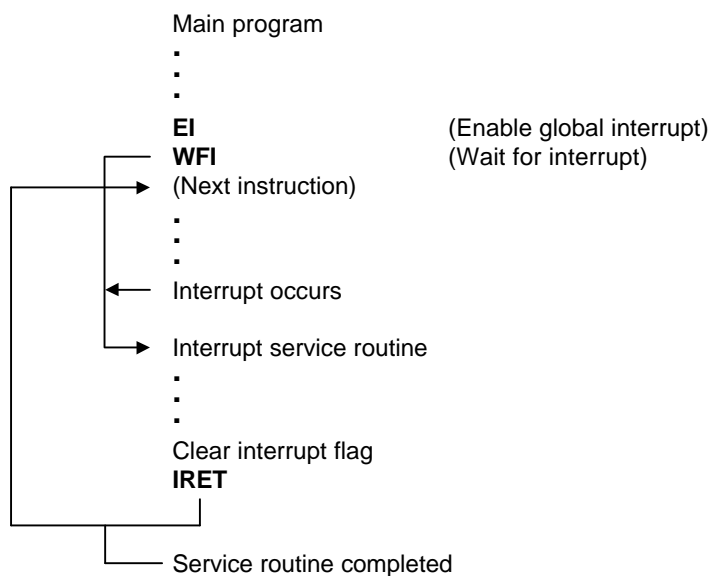
The CPU is effectively halted until an interrupt occurs, except that DMA transfers can still take place during this wait state. The WFI status can be released by an internal interrupt, including a fast interrupt .

Flags: No flags are affected.

Format:

opc	Bytes	Cycles	Opcode (Hex)
opc	1	4n	3F
		(n = 1, 2, 3, ...)	

Example: The following sample program structure shows the sequence of operations that follow a "WFI" statement:



XOR — Logical Exclusive OR

XOR dst,src

Operation: dst ← dst XOR src

The source operand is logically exclusive-ORed with the destination operand and the result is stored in the destination. The exclusive-OR operation results in a "1" bit being stored whenever the corresponding bits in the operands are different; otherwise, a "0" bit is stored.

Flags:

- C:** Unaffected.
- Z:** Set if the result is "0"; cleared otherwise.
- S:** Set if the result bit 7 is set; cleared otherwise.
- V:** Always reset to "0".
- D:** Unaffected.
- H:** Unaffected.

Format:

			Bytes	Cycles	Opcode (Hex)	Addr Mode <u>dst</u> <u>src</u>		
<table border="1" style="width: 100%; text-align: center;"> <tr> <td style="width: 33%;">opc</td> <td style="width: 67%;">dst src</td> </tr> </table>	opc	dst src	2	4	B2	r	r	
	opc	dst src						
6	B3	r	lr					
<table border="1" style="width: 100%; text-align: center;"> <tr> <td style="width: 33%;">opc</td> <td style="width: 33%;">src</td> <td style="width: 33%;">dst</td> </tr> </table>	opc	src	dst	3	6	B4	R	R
	opc	src	dst					
6	B5	R	IR					
<table border="1" style="width: 100%; text-align: center;"> <tr> <td style="width: 33%;">opc</td> <td style="width: 33%;">dst</td> <td style="width: 33%;">src</td> </tr> </table>	opc	dst	src	3	6	B6	R	IM
opc	dst	src						

Examples: Given: R0 = 0C7H, R1 = 02H, R2 = 18H, register 00H = 2BH, register 01H = 02H, and register 02H = 23H:

```

XOR   R0,R1    →   R0 = 0C5H, R1 = 02H
XOR   R0,@R1   →   R0 = 0E4H, R1 = 02H, register 02H = 23H
XOR   00H,01H  →   Register 00H = 29H, register 01H = 02H
XOR   00H,@01H →   Register 00H = 08H, register 01H = 02H, register 02H = 23H
XOR   00H,#54H →   Register 00H = 7FH

```

In the first example, if working register R0 contains the value 0C7H and if register R1 contains the value 02H, the statement "XOR R0,R1" logically exclusive-ORs the R1 value with the R0 value and stores the result (0C5H) in the destination register R0.

NOTES

Clock Circuit

RESET and Power-Down

I/O Ports

Basic Timer

Timer M0

Timer M1

Timer M2

Analog-to-Digital Converter

Pulse Width Modulation

Sync Processor

DDC and IIC-Bus Interface

Slave IIC-Bus Interface

Electrical Data

Mechanical Data

S3P863A OTP

Development Tools

7

CLOCK CIRCUIT

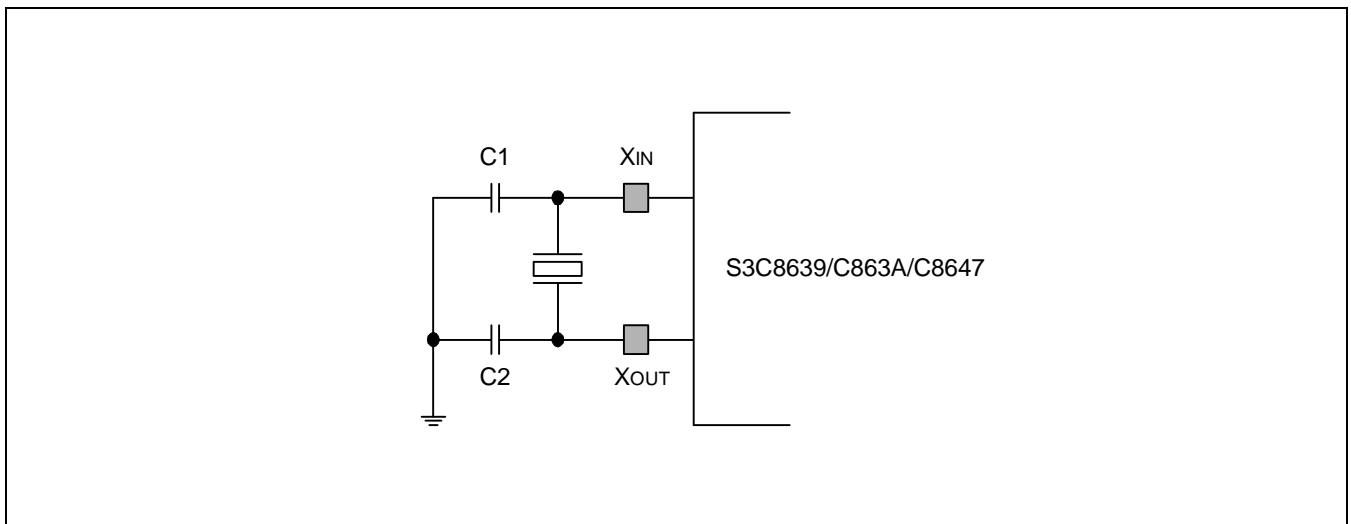
OVERVIEW

The clock frequency generated for S3C8639/C863A/C8647 by an external crystal ranges from 8 MHz to 12 MHz. The maximum CPU clock frequency is 12 MHz. The X_{IN} and X_{OUT} pins connect the external oscillator or clock source to the on-chip clock circuit.

SYSTEM CLOCK CIRCUIT

The system clock circuit has the following components:

- External crystal or ceramic resonator oscillation source (or an external clock source)
- Oscillator stop and wake-up functions
- Programmable frequency divider for the CPU clock (f_{OSC} divided by 1, 2, 8, or 16)
- System clock control register, CLKCON



**Figure 7-1. Main Oscillator Circuit
(External Crystal or Ceramic Resonator)**

CLOCK STATUS DURING POWER-DOWN MODES

The two power-down modes, Stop mode and Idle mode, affect the system clock as follows:

- In Stop mode, the main oscillator is halted. Stop mode is released and the oscillator is started by a reset operation or an external interrupt (with RC delay noise filter).
- In Idle mode, the internal clock signal is gated to the CPU, but not to interrupt structure, timers and timer/counters, and the IIC-bus interface functions. Idle mode is released by a reset or by an external or internal interrupt.

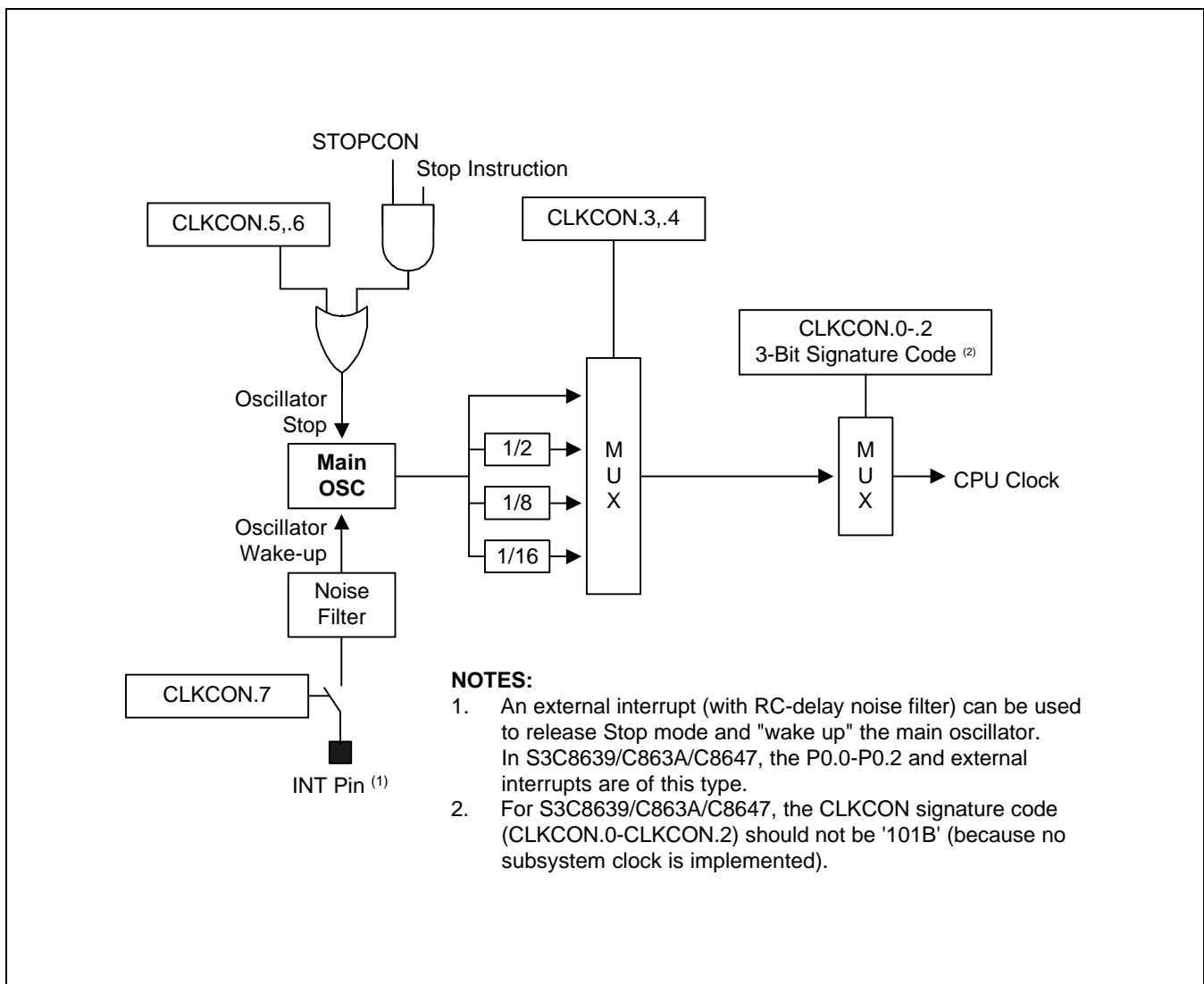


Figure 7-2. System Clock Circuit Diagram

SYSTEM CLOCK CONTROL REGISTER (CLKCON)

The system clock control register, CLKCON, is located in set 1, address D4H. It is read/write addressable and has the following functions:

- Oscillator IRQ wake-up function enable/disable
- Main oscillator stop control
- Oscillator frequency divide-by value
- System clock signal selection

The CLKCON register controls whether or not an external interrupt can be used to trigger a power down mode release. (This is called the "IRQ wake-up" function.) The IRQ wake-up enable bit is CLKCON.7.

After a reset, the external interrupt oscillator wake-up function is enabled, the main oscillator is activated, and the $f_{OSC}/16$ (the slowest clock speed) is selected as the CPU clock. If necessary, you can raise the CPU clock speed to f_{OSC} , $f_{OSC}/2$, or $f_{OSC}/8$.

For the S3C8639/C863A/C8647 microcontrollers, the CLKCON.2–CLKCON.0 system clock signature code must be any value *other than* "101B". (The "101B" setting is invalid because a subsystem clock is not implemented.) The reset value for the clock signature code is "000B" and should remain so during the normal operation.

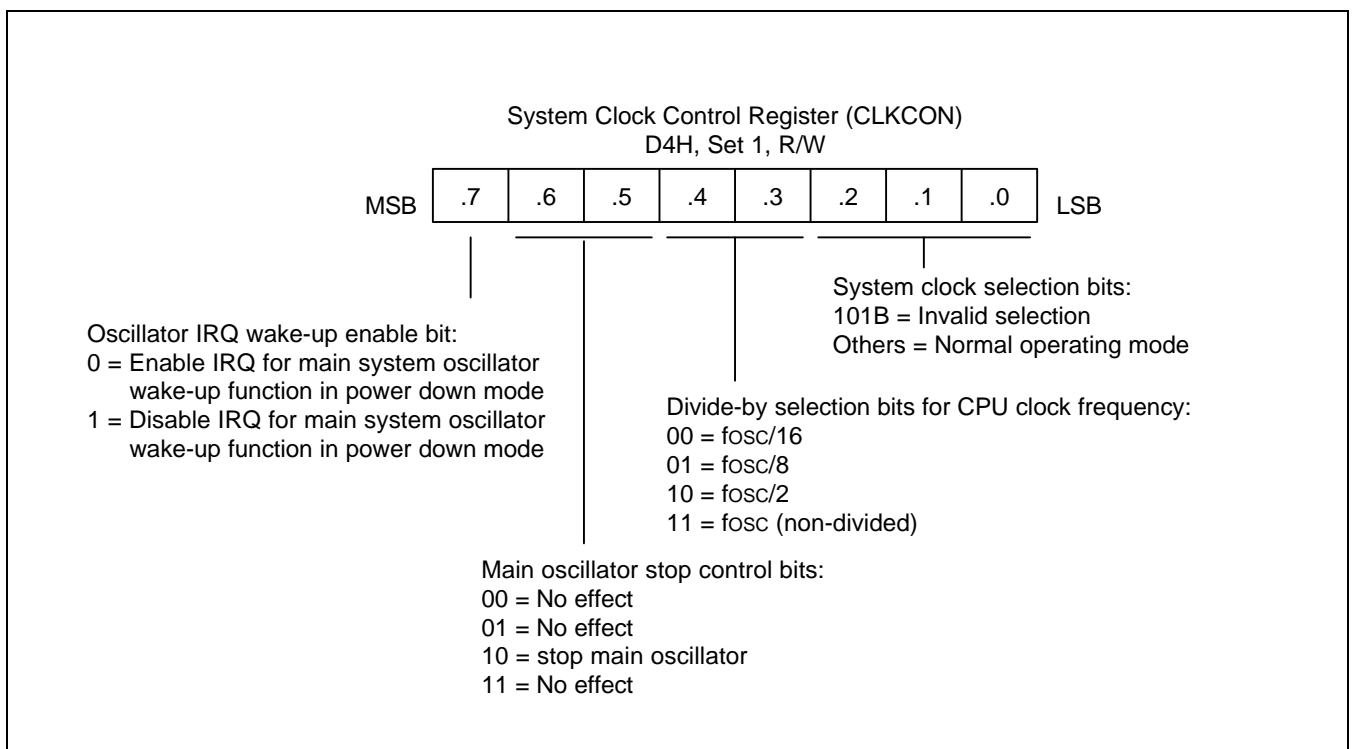


Figure 7-3. System Clock Control Register (CLKCON)

NOTES

8

RESET and POWER-DOWN

SYSTEM RESET

OVERVIEW

During a power-on reset, the voltage at V_{DD} goes to High level and the RESET pin is forced to Low level. The RESET signal is input through a schmitt trigger circuit where it is then synchronized with the CPU clock. This procedure brings S3C8639/C863A/C8647 into a known operating status.

To spare time for internal CPU clock oscillation to stabilize, the RESET pin must be held to Low level for a minimum time interval after the power supply comes within tolerance. The minimum required time for oscillation stabilization in a reset operation is 1 millisecond.

Whenever a reset occurs during the normal operation (that is, when both V_{DD} and RESET are at High level), the RESET pin is forced Low and the reset operation starts. All system and peripheral control registers are then reset to their default hardware values (see Tables 8-1, 8-2, and 8-3).

In summary, the following sequence of events occurs during a reset operation:

- All interrupts are disabled.
- The watchdog function (basic timer) is enabled.
- Ports 0–3 are set to input mode.
- Peripheral control and data registers are disabled and reset to their default hardware values.
- The program counter (PC) is loaded with the program reset address in the ROM, 0100H.
- When the programmed oscillation stabilization time interval has elapsed, the instruction stored in the ROM location 0100H (and 0101H) is fetched and executed.

NOTE

To program the duration of the oscillation stabilization interval, you should make the settings appropriate to the basic timer control register, BTCON, *before* entering Stop mode. Also, if you do not want to use the basic timer watchdog function (which causes a system reset if a basic timer counter overflow occurs), you can disable it by writing "1010B" to the upper nibble of BTCON.

HARDWARE RESET VALUES

Tables 8-1, 8-2, and 8-3 list the reset values for CPU and system registers, peripheral control registers, and peripheral data registers after a reset operation. The following notation is used to represent reset values:

- A "1" or a "0" shows the reset bit value as logic one or logic zero, respectively.
- An "x" means that the bit value is undefined after a reset.
- A dash ("-") means that the bit is either not used or not mapped.

Table 8-1. Set 1 Register Values After Reset

Register Name	Mnemonic	Address		Bit Values After Reset								
		Dec	Hex	7	6	5	4	3	2	1	0	
Timer M0 counter register	TM0CNT	208	D0H	0	0	0	0	0	0	0	0	0
Timer M0 data register	TM0DATA	209	D1H	0	0	0	0	0	0	0	0	0
Timer M0 control register	TM0CON	210	D2H	0	0	0	0	0	0	0	0	0
Basic timer control register	BTCN	211	D3H	0	0	0	0	0	0	0	0	0
Clock control register	CLKCON	212	D4H	0	0	0	0	0	0	0	0	0
System flags register	FLAGS	213	D5H	x	x	x	x	x	x	0	0	0
Register pointer 0	RP0	214	D6H	1	1	0	0	0	-	-	-	-
Register pointer 1	RP1	215	D7H	1	1	0	0	1	-	-	-	-
Stack pointer (high byte)	SPH	216	D8H	x	x	x	x	x	x	x	x	x
Stack pointer (low byte)	SPL	217	D9H	x	x	x	x	x	x	x	x	x
Instruction pointer (high byte)	IPH	218	DAH	x	x	x	x	x	x	x	x	x
Instruction pointer (low byte)	IPL	219	DBH	x	x	x	x	x	x	x	x	x
Interrupt request register	IRQ	220	DCH	0	0	0	0	0	0	0	0	0
Interrupt mask register	IMR	221	DDH	x	x	x	x	x	x	x	x	x
System mode register	SYM	222	DEH	0	-	-	x	x	x	0	0	0
Page pointer register	PP	223	DFH	0	0	0	0	0	0	0	0	0

NOTES:

1. As the SYM register is not used for S3C8639/C863A/C8647, SYM.5 should always be "0". If you accidentally write a "1" to this bit during the normal operation, a system malfunction may occur.
2. Except for TM0CNT, TM0DATA, and IRQ, all registers in set 1 are read/write addressable.
3. You cannot use a read-only register as a destination field for the instructions OR, AND, LD, and LDB. The read-only registers in the S3C8639/C863A/C8647 register file are: TM0CNT, TM0DATA, IRQ, SYNCRD, TM1CNTH, TM1CNTL, TM1DATAH, TM1DATAL, ADDATA, BTCNT, PWMCNT, and RBDR.
4. Interrupt pending flags that must be cleared by software are noted by shaded table cells.

Table 8-2. Set 1, Bank 0 Register Values after Reset

Register Name	Mnemonic	Address		Bit Values After Reset								
		Dec	Hex	7	6	5	4	3	2	1	0	
Port 0 data register	P0	224	E0H	0	0	0	0	0	0	0	0	0
Port 1 data register ^(note)	P1	225	E1H	–	–	–	–	–	0	0	0	0
Port 2 data register	P2	226	E2H	0	0	0	0	0	0	0	0	0
Port 3 data register	P3	227	E3H	0	0	0	0	0	0	0	0	0
Port 0 control register (high byte)	P0CONH	228	E4H	0	0	0	0	0	0	0	0	0
Port 0 control register (low byte)	P0CONL	229	E5H	0	0	0	0	0	0	0	0	0
Port 1 control register ^(note)	P1CON	230	E6H	–	–	0	0	0	0	0	0	0
Port 2 control register (high byte)	P2CONH	231	E7H	0	0	0	0	0	0	0	0	0
Port 2 control register (low byte)	P2CONL	232	E8H	0	0	0	0	0	0	0	0	0
Port 3 control register (high byte)	P3CONH	233	E9H	0	0	0	0	0	0	0	0	0
Port 3 control register (low byte)	P3CONL	234	EAH	0	0	0	0	0	0	0	0	0
Port 0 external interrupt control register	P0INT	235	EBH	–	0	0	0	–	0	0	0	0
Watchdog time control register	WDTCON	236	ECH	–	–	–	–	0	0	0	0	0
Sync control register 0	SYNCON0	237	EDH	0	0	0	0	0	0	0	0	0
Sync control register 1	SYNCON1	238	EEH	0	0	0	0	0	0	0	0	0
Sync control register 2	SYNCON2	239	EFH	0	0	0	0	0	0	0	0	0
Sync port read data register	SYNCRD	240	F0H	–	–	–	–	0	0	0	0	0

NOTE: Not used for the S3C8647.

Table 8-2. Set 1, Bank 0 Register Values after Reset (Continued)

Register Name	Mnemonic	Address		Bit Values After Reset							
		Dec	Hex	7	6	5	4	3	2	1	0
Timer M1 counter register high	TM1CNTH	241	F1H	–	–	–	–	0	0	0	0
Timer M1 counter register low	TM1CNTL	242	F2H	0	0	0	0	0	0	0	0
Timer M1 data register high	TM1DATAH	243	F3H	–	–	–	–	0	0	0	0
Timer M1 data register low	TM1DATAL	244	F4H	0	0	0	0	0	0	0	0
Timer M1 control register	TM1CON	245	F5H	0	0	0	0	0	0	0	0
Timer M2 control register	TM2CON	246	F6H	1	1	1	1	1	0	0	0
A/D converter control register	ADCON	247	F7H	–	0	0	0	0	0	0	0
A/D converter data register	ADDATA	248	F8H	x	x	x	x	x ⁽⁴⁾	x ⁽⁴⁾	x ⁽⁴⁾	x ⁽⁴⁾
Pseudo Hsync generation register	PHGEN	249	F9H	0	1	0	1	0	0	1	1
Pseudo Vsync generation register	PVGEN	250	FAH	0	1	0	1	0	0	1	1
Stop control register	STOPCON	251	FBH	0	0	0	0	0	0	0	0
Location FCH is not mapped.											
Basic timer counter register	BTCNT	253	FDH	0	0	0	0	0	0	0	0
External memory timing register	EMT	254	FEH	0	1	1	1	1	1	0	–
Interrupt priority register	IPR	255	FFH	x	x	x	x	x	x	x	x

NOTES:

1. Except for SYNCRD, TM1CNTH, TM1CNTL, TM1DATAH, TM1DATAL, ADDATA, and BTCNT, all registers in set 1, bank 0 are read/write addressable.
2. You cannot use a read-only register as a destination field for the instructions OR, AND, LD, and LDB. The read-only registers in the S3C8639/C863A/C8647 register file are: TM0CNT, TM0DATA, IRQ, SYNCRD, TM1CNTH, TM1CNTL, TM1DATAH, TM1DATAL, ADDATA, BTCNT, PWMCNT, and RBDR.
3. Interrupt pending flags that must be cleared by software are noted by shaded table cells.
4. Not mapped for the S3C8647.

Table 8-3. Set 1, Bank 1 Register Values after Reset

Register Name	Mnemonic	Address		Bit Values After Reset								
		Dec	Hex	7	6	5	4	3	2	1	0	
PWM 0 data register	PWM0	224	E0H	0	0	0	0	0	0	0	0	0
PWM 1 data register	PWM1	225	E1H	0	0	0	0	0	0	0	0	0
PWM 2 data register	PWM2	226	E2H	0	0	0	0	0	0	0	0	0
PWM 3 data register	PWM3	227	E3H	0	0	0	0	0	0	0	0	0
PWM 4 data register	PWM4	228	E4H	0	0	0	0	0	0	0	0	0
PWM 5 data register	PWM5	229	E5H	0	0	0	0	0	0	0	0	0
PWM 6 data register ⁽⁴⁾	PWM6	230	E6H	0	0	0	0	0	0	0	0	0
PWM control register	PWMCON	231	E7H	0	0	0	–	–	–	–	–	–
PWM counter register	PWMCNT	232	E8H	0	0	0	0	0	0	0	0	0
DDC control register	DCON	233	E9H	–	–	–	–	1	0	0	0	0
DDC address register 0	DAR0	234	EAH	1	0	1	0	–	–	–	–	–
DDC clock control register	DCCR	235	EBH	0	0	0	0	1	1	1	1	1
DDC control/status register 0	DCSR0	236	ECH	0	0	0	0	0	0	–	0	0
DDC control/status register 1	DCSR1	237	EDH	–	–	–	–	–	0	1	0	0
DDC address register 1	DAR1	238	EEH	x	x	x	x	x	x	x	x	–
Transmit prebuffer data register	TBDR	239	EFH	x	x	x	x	x	x	x	x	x
Receive prebuffer data register	RBDR	240	F0H	x	x	x	x	x	x	x	x	x
DDC data shift register	DDSR	241	F1H	x	x	x	x	x	x	x	x	x
Slave IIC-bus control/status register ⁽⁴⁾	SICSR	242	F2H	0	0	0	0	0	0	0	0	0
Slave IIC-bus address register ⁽⁴⁾	SIAR	243	F3H	x	x	x	x	x	x	x	x	–
Slave IIC-bus data shift register ⁽⁴⁾	SIDSR	244	F4H	x	x	x	x	x	x	x	x	x
Locations F5H–FFH are not mapped.												

NOTES:

1. Except for PWMCNT and RBDR, all registers in set 1, bank 1 are read/write addressable.
2. You cannot use a read-only register as a destination field for the instructions OR, AND, LD, and LDB. The read-only registers in the S3C8639/C863A/C8647 register file are: TM0CNT, TM0DATA, IRQ, SYNCRD, TM1CNTH, TM1CNTL, TM1DATAH, TM1DATAL, ADDATA, BTCNT, PWMCNT, and RBDR.
3. Interrupt pending flags that must be cleared by software are noted by shaded table cells.
4. Not used for the S3C8647.

POWER-DOWN MODES

STOP MODE

Stop mode is invoked by the instruction STOP (opcode 7FH) and the stop control register (STOPCON). In Stop mode, the operation of the CPU and all peripherals is halted. That is, the on-chip main oscillator stops and the supply current is reduced to less than 5 μ A. All system functions stop when the clock "freezes," but data stored in the internal register file is retained. Stop mode can be released in one of two ways: by a reset or by an external interrupt (with RC delay).

NOTE

Do not use stop mode if you are using an external clock source as X_{IN} input must be restricted internally to V_{SS} to reduce current leakage.

Using RESET to Release Stop Mode

Stop mode is released when the RESET signal goes active (High level): all system and peripheral control registers are reset to their default hardware values and the contents of all data registers are retained. A reset operation automatically selects a slow clock (1/16) because CLKCON.3 and CLKCON.4 are cleared to "00B". After the programmed oscillation stabilization interval has elapsed, the CPU starts the system initialization routine by fetching the program instruction stored in the ROM location 0100H (and 0101H).

Using an External Interrupt to Release Stop Mode

Only external interrupts with an RC-delay noise filter circuit can be used to release Stop mode. Which interrupt you can use to release Stop mode in a given situation depends on the microcontroller's current internal operating mode. The external interrupts in the S3C8639/C863A/C8647 interrupt structure that can be used to release Stop mode are:

- External interrupts P0.0 (INT0), P0.1 (INT1), and P0.2 (INT2)
- Timer M0 capture interrupt in capture mode (with rising or falling edge trigger at the TM0CAP pin and Vsync-O from sync-processor.)

Please note the following conditions for Stop mode release:

- If you release Stop mode using an external interrupt, the current values in system and peripheral control registers are unchanged.
- If you use an external interrupt for Stop mode release, you can also program the duration of the oscillation stabilization interval. To do this, you must make the control and clock settings appropriate *before* entering Stop mode.
- If you use an interrupt to release Stop mode, the CLKCON.4 and CLKCON.3 bit-pair setting remains unchanged and the currently selected clock value is used.
- The external interrupt is serviced when the Stop mode release occurs. Following the IRET from the service routine, the instruction right next to the one that initiated Stop mode is executed.

IDLE MODE

Idle mode is invoked by the instruction IDLE (opcode 6FH). In Idle mode, CPU operations are halted while some peripherals remain active. In idle mode, the internal clock signal is gated away from the CPU, but all peripherals timers remain active. Port pins retain the mode (input or output) they had at the time Idle mode was entered.

There are two ways to release idle mode:

1. Execute a reset. All system and peripheral control registers are reset to their default values and the contents of all data registers are retained. The reset automatically selects a *slow clock (1/16)* because CLKCON.4 and CLKCON.3 are cleared to "00B". If interrupts are masked, a reset is the only way to release Idle mode.
2. Activate any enabled interrupt, causing Idle mode to be released. When you use an interrupt to release Idle mode, the CLKCON.4 and CLKCON.3 register values remain unchanged, and the *currently selected clock* value is used. The interrupt is then serviced. When the return-from-interrupt (IRET) occurs, the instruction right next to the one that initiated Idle mode is executed.

NOTE

Only external interrupts can be used to release Stop mode. To release idle mode, you can use either an internally-generated or externally-generated interrupt.

 **PROGRAMMING TIP — Sample S3C8639/C863A/C8647 Initialization Routine**

The following sample program shows you how to make initial settings for the S3C8639/C863A/C8647 address space, interrupt vectors, and peripheral functions. Program comments guide you through the steps:

```

;      << Base Number Setting >>

      DECIMAL

;      << Definition >>

TM0_REG EQU      40H
      ORG      0000H

;      << Interrupt Vector Addresses >>

      ORG      00ECH
      VECTOR   TM0_OVF_INT      ; IRQ0
      VECTOR   TM0_CAP_INT      ; IRQ0
      VECTOR   TM2_INT          ; IRQ1
      VECTOR   TM1_OVF_INT      ; IRQ2
      VECTOR   TM1_CAP_INT      ; IRQ2
      VECTOR   DDC_INT          ; IRQ3
      VECTOR   P00_INT          ; IRQ4
      VECTOR   P01_INT          ; IRQ5
      VECTOR   P02_INT          ; IRQ6
      VECTOR   SIIC_INT         ; IRQ7 (used only S3C863X)

;      << Initialize System and Peripherals >>

      ORG      0100H            ; Reset address
      LD       BTCON,#0A0H      ; Disable watchdog timer
      LD       CLKCON,#10H      ; Select divided-by-two oscillator frequency as CPU clock
                                   ; Enable IRQ for main system oscillator wake-up

;      < System Register Settings >

      CLR      SYM              ; Disable fast interrupts; global interrupt disable
      CLR      EMT              ; No access wait time; select internal stack area
      LD       SPH,#00H        ; Set stack pointer (stack starts from #0FFH)

;      < Interrupt Settings >

      LD       IPR,#8FH         ; Set interrupt priorities as follows:
                                   ; IRQ3 > IRQ2 > IRQ1 > IRQ0
      LD       IMR,#0FH         ; Enable IRQ levels 0, 1, 2, and 3

;      < Timer M0 Settings >

      LD       TM0CON,#8FH      ; Enable timer M0 overflow and capture interrupts

```

 **PROGRAMMING TIP — Sample S3C8639/C863A/C8647 Initialization Routine (Continued)**

```

INI_PERI_SET:
    SB0                ; Select bank 0
    LD      P0CONH,#0FFH ; Set port 0 high byte to push-pull output mode
    LD      P0CONL,#0FFH ; Set port 0 low byte to push-pull output mode
    LD      P0INT,#00H   ; Disable P0.0, P0.1 and P0.2 external interrupts
    ;
    LD      P1CON,#00H   ; Set P1.0–P1.2 to input mode
    LD      P2CONH,#0FFH ; Set port 2 high byte to n-channel open-drain PWM
    ; output mode
    LD      P2CONL,#0FFH ; Set port 2 low byte to push-pull PWM output mode
    LD      P3CONH,#0AAH ; Set port 3 high byte to push-pull output mode
    LD      P3CONL,#0AAH ; Set port 3 low byte to push-pull output mode

; < Timer M1 Settings >
    LD      TM1CON,#2CH  ; Enable timer M1 capture and overflow interrupt,
    ; Timer M1
    ; clock source is Hsyncl from sync processor

; < Timer M2 Settings >
    LD      TM2CON,#3DH  ; Enable timer M2 capture and overflow interrupt

; < Sync Processor Settings >
    LD      SYNCON0,#20H ; 5 bit counter capture mode
    LD      SYNCON1,#80H ; Set negative polarity (500 ns at 8 MHz) for clampO
    LD      SYNCON2,#0A0H ; Pseudo sync output

; < PWM Settings >
    SB1                ; Select Bank 1
    LD      PWMCON,#20H ; Start PWM counter, PWM counter clock is fOSC

; < DDC Tx/Rx Interface Settings >
    LD      DCON,#0AH   ; Select DDC1 Tx mode
    LD      DCCR,#0A3H  ; Enable DDC interrupt, DDC clock is 100 kHz

; << Initialize Data Registers >>
    SB0                ; Select bank 0
    SRP      #0C0H      ; Set register pointer

; < Clear all data registers from 00H to FFH >
    LD      R0,#0FFH   ; Enable timer M2 interrupt

RAMCLR:  CLR      @R0      ; Page 0 RAM clear
         DJNZ    R0,RAMCLR

```

 **PROGRAMMING TIP — Sample S3C8639/C863A/C8647 Initialization Routine (Continued)**

```
;      < Initialize Other Registers >
      .
      .
      EI          ; You must execute an EI instruction in this position
                  ; in the initialization routine to enable servicing of
                  ; external interrupts

;      << Main Loop >>
MAIN:  NOP          ; Start main loop
      .
      CALL        KEY_SCAN      ; Sub-program module
      .
      CALL        LED_DISPLAY   ; Sub-program module
      .
      CALL        JOB           ; Sub-program module
      .
      JR         t,MAIN        ; For main loop

;      < Subroutines >
KEY_SCAN:
      NOP
      .
      .
      .
      RET

LED_DISPLAY:
      NOP
      .
      .
      .
      RET

JOB:
      NOP
      .
      .
      .
      RET
```

 **PROGRAMMING TIP — Sample S3C8639/C863A/C8647 Initialization Routine (Concluded)**

```

;          << Interrupt Service Routines >>

P00_INT:
    PUSH    RP0          ; Save old RP0 value
    SRP0    #60H        ; Set RP0 for P0.0 interrupt service routine
    .
    .
    .
    POP     RP0          ; Restore the RP0 value
    IRET                    ; Return from the interrupt

DDC_INT:
    PUSH    RP0          ; Save old RP0 value
    SRP0    #50H        ; Set RP0 for IIC-bus interrupt service routine
    .
    .
    .
    SB1
    AND     DDCR, #11101111B ; Clear DDC interrupt pending bit
    SB0
    POP     RP0          ; Restore the RP0 value
    IRET                    ; Return from the interrupt

TM0_CAP_INT:
    PUSH    RP0          ; Save old RP0 value
    SRP     #TM0_REG     ; TM0_REG value should be defined
    .
    .
    .
    POP     RP0          ; Restore the RP0 value
    IRET                    ; Return from the interrupt
    .
    .
    .
    END

```

NOTES

9

I/O PORTS

OVERVIEW

The S3C8639/C863A/C8647 microcontrollers have four I/O ports with a total of 27 pins. And the S3C8647 microcontroller has three I/O port 0 with a total of 19 pins. Each port can be flexibly configured to meet application design requirements. The CPU accesses ports by directly writing or reading port registers. No special I/O instructions are required. Table 9-1 gives you an overview of port functions:

Table 9-1. S3C8639/C863A/C8647 Port Configuration Overview

Port	Configuration Options	Programmability
0	8-bit general I/O port. Alternatively used for external interrupt inputs and for timer M0 input function.	Bit programmable
1 (Only S3C863X)	3-bit I/O port for normal I/O or n-channel open drain output. Alternatively used for IIC-bus clock and data I/O.	Bit programmable
2	8-bit I/O port for normal I/O, PWM push-pull outputs, PWM n-channel open-drain outputs with 5-volt load capability, or Csync signal input.	Bit programmable
3	8-bit general I/O port. Alternatively used as n-channel open-drain, push-pull outputs with 5-volt load capability or for normal input with pull-up resistor. Multiplexed for alternative use as A/D converter inputs, AD0–AD3.	Bit programmable

PORT DATA REGISTERS

Data registers for ports 0–3 have the format shown in Figure 9-1. Table 9-2 gives you an overview of the port data register locations:

Table 9-2. Port Data Register Summary

Register Name	Mnemonic	Decimal	Hex	Location	R/W
Port 0 data register	P0	224	E0H	Set 1, bank 0	R/W
Port 1 data register (only S3C863X)	P1	225	E1H	Set 1, bank 0	R/W
Port 2 data register	P2	226	E2H	Set 1, bank 0	R/W
Port 3 data register	P3	227	E3H	Set 1, bank 0	R/W

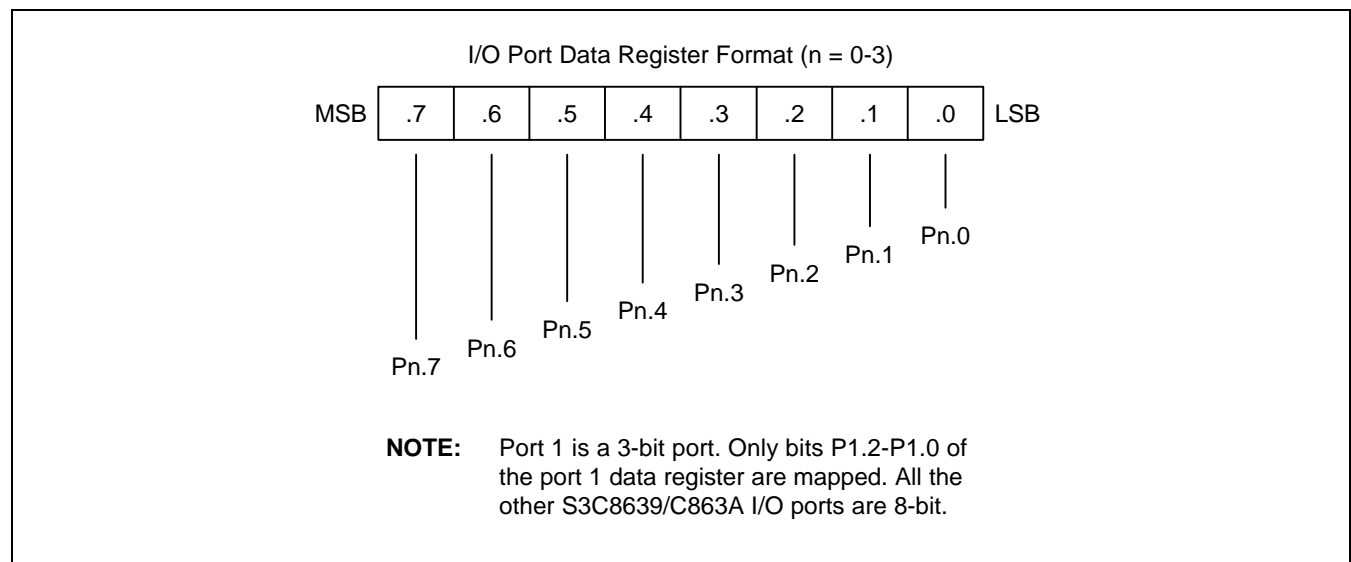


Figure 9-1. Port Data Register Format

PORT 0

Port 0 is an 8-bit I/O port with individually configurable pins. You can directly access port 0 pins by writing or reading the port 0 data register, P0 (set 1, bank 0, E0H). You can use port 0 for general I/O, or for the following alternative functions:

- Low-byte pins (P0.3–P0.0) can be configured as push-pull outputs, while P0.2–P0.0 as a multiplexed input pins for external interrupts INT2–INT0 with rising or falling edge detection.
- High-byte pins (P0.7–P0.4) can be configured as multiplexed inputs and push-pull outputs. P0.4 can serve as the timer M0 capture input pin (TM0CAP).

Two 8-bit control registers are used to configure port 0 pins: P0CONH (set 1, bank 0, E4H) for P0.7–P0.4 and P0CONL (set 1, bank 0, E5H) for P0.3–P0.0. Each byte contains four bit-pairs and each bit-pair configures one pin. The low-byte port 0 control register, P0CONL, is also used to enable and disable the external interrupts, INT2–INT0, at pins P0.2–P0.0, respectively.

Port 0 High-Byte Control Register (P0CONH)

The four bit-pairs in the port 0 high-byte control register, P0CONH, have the following functions:

- To configure individual port 0 pins to multiplexed input mode or push-pull output mode.
- To configure alternative input or output functions for P0.7–P0.4.

Bit-pair 1/0 configures the capture signal input pin for timer M0 at P0.4.

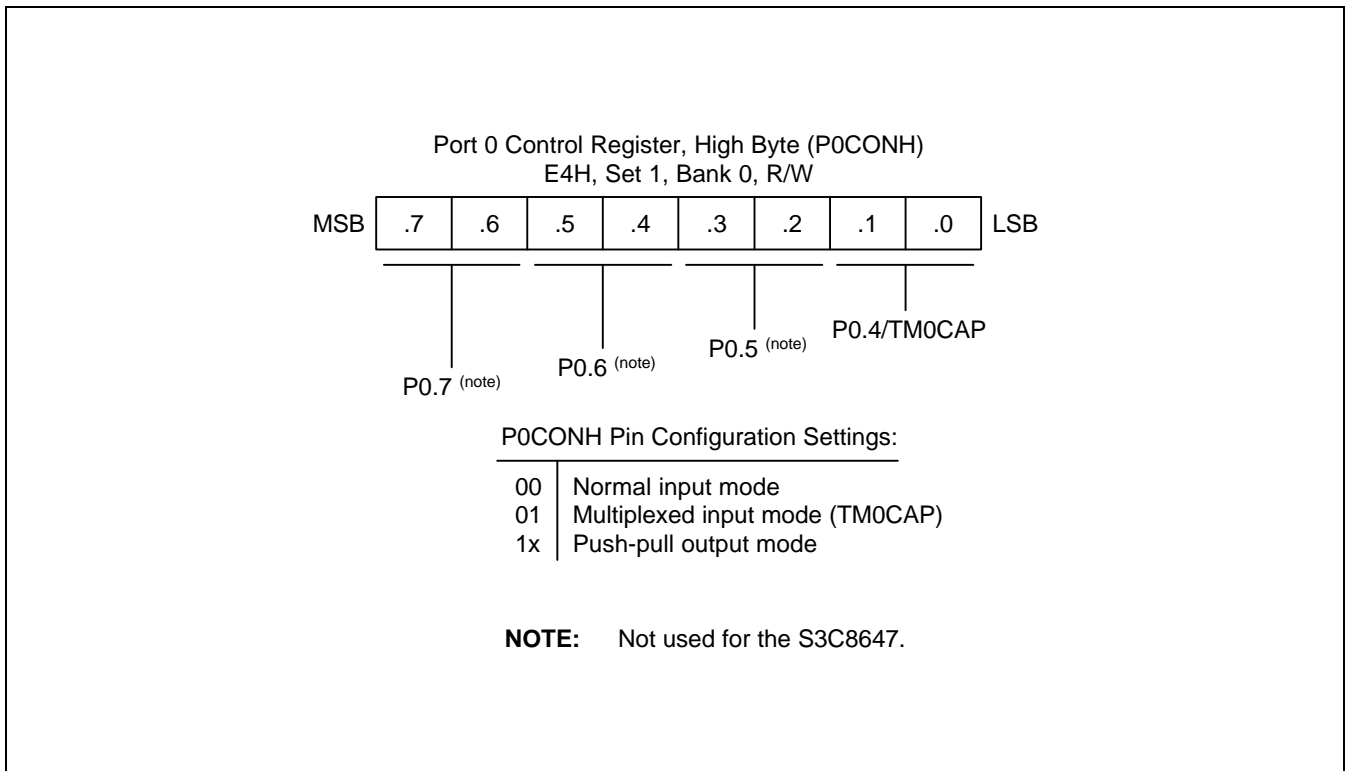


Figure 9-2. Port 0 High-Byte Control Register (P0CONH)

Port 0 Low-Byte Control Register (P0CONL)

The low-byte port 0 pins, P0.3–P0.0 can be configured individually as inputs or as push-pull outputs. You can alternatively configure the pins P0.2–P0.0 as external interrupt inputs with rising or falling edge detection.

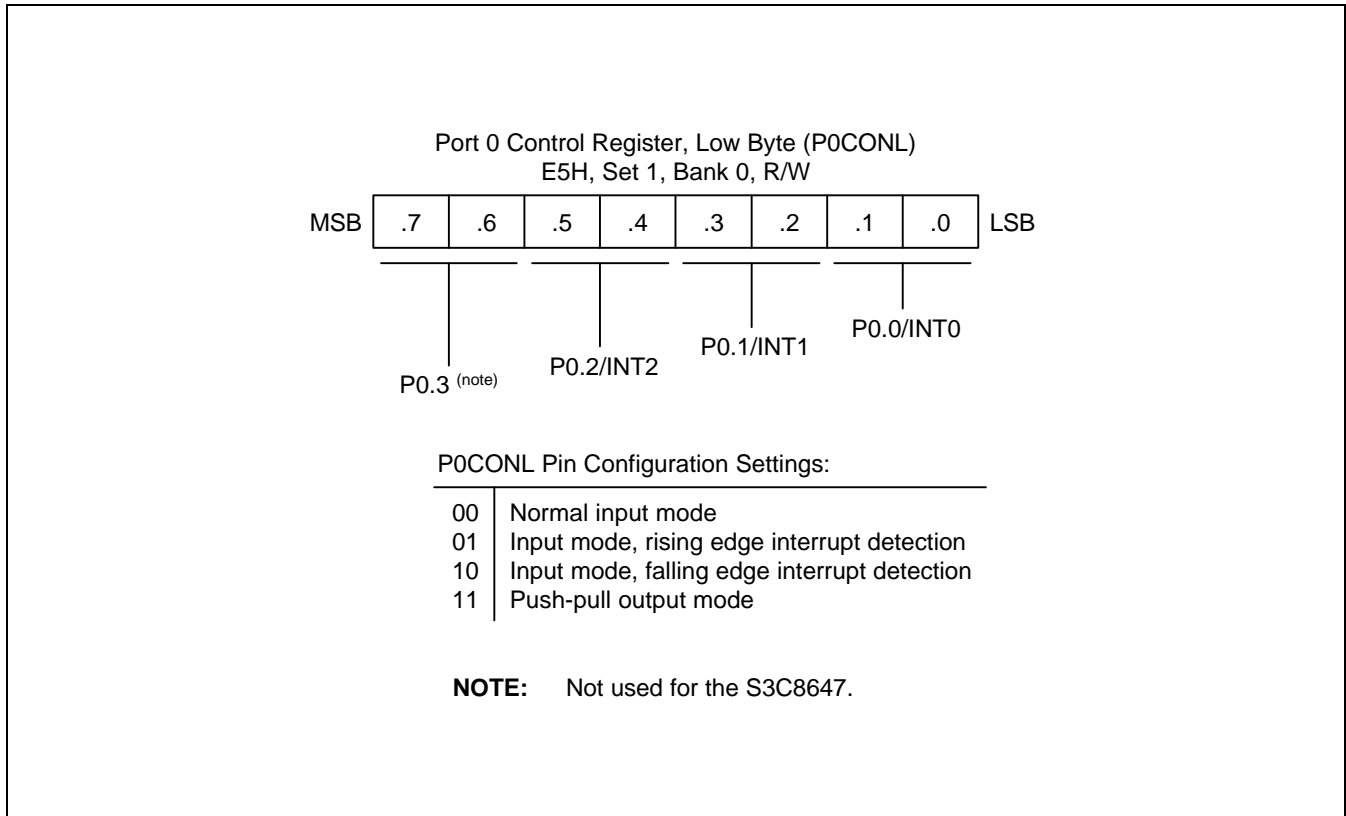


Figure 9-3. Port 0 Low-Byte Control Register (P0CONL)

Port 0 External Interrupt Control Register (P0INT)

The port 0 external interrupt control register, P0INT, is used to enable and disable the external interrupts INT2–INT0 at P0.2–P0.0, respectively, and also to detect and clear external interrupt pending conditions at these pins.

To selectively enable the external interrupts INT0, INT1, and INT2, you set P0INT.0, P0INT.1, and P0INT.2 to “1”, respectively. The application program can poll the corresponding interrupt pending bits — P0INT.4 for INT0, P0INT.5 for INT1, and P0INT.6 for INT2 — to detect external interrupt pending conditions.

After an external interrupt has been serviced, the service routine must clear the pending condition by writing a “0” to the appropriate pending bit. Writing a “1” to the pending bit has no effect.

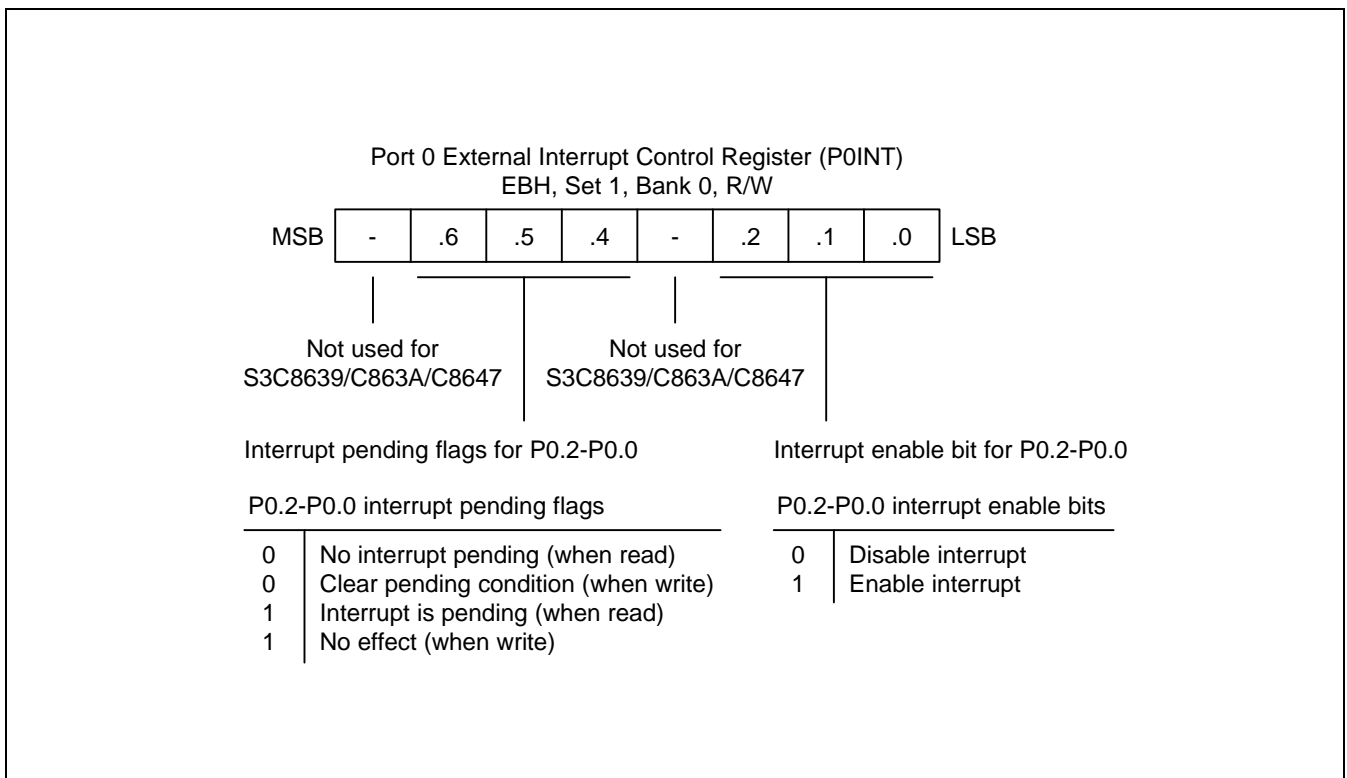


Figure 9-4. Port 0 External Interrupt Control Register (P0INT)

PORT 1 (Only S3C863X)

Port 1 is an 3-bit port with individually configurable pins. You can directly access it by writing or reading the port 1 data register, P1 (set 1, bank 0, E1H). You can use port 1 for normal output, input mode, or n-channel open-drain output mode.

The port 1 control register, P1CON (set 1, bank 0, E6H) is used to configure port 1 pins. Each byte contains four bit-pairs and each bit-pair configures one pin.

Bit pair 3/2 configures the IIC-bus clock pin for SCL1 at P1.1. Bit pair 1/0 controls P1.0 when it is set to "11B", the SDA1 is enabled for IIC-bus data pin.

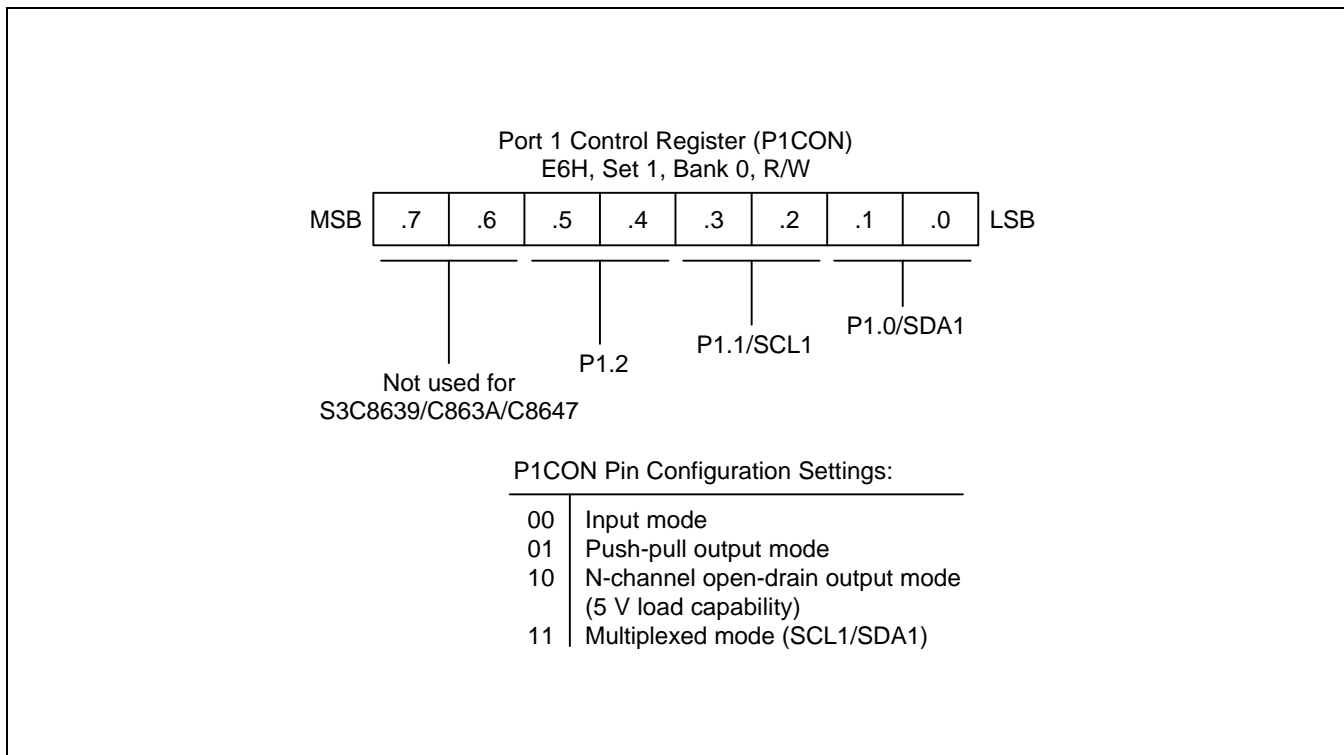


Figure 9-5. Port 1 Control Register (P1CON)

PORT 2

Port 2 is an 8-bit I/O port with individually configurable pins. You can directly access port 2 pins by writing or reading the port 2 data register, P2 (set 1, bank 0, E2H).

Two 8-bit control registers are used to configure port 2 pins: P2CONH (set 1, bank 0, E7H) which let you select digital input mode (or TTL input mode), normal or PWM push-pull output mode, or n-channel open drain PWM output mode. And you can select digital input mode, normal or PWM push-pull output mode at the P2CONL (set 1, bank 0, E8H)

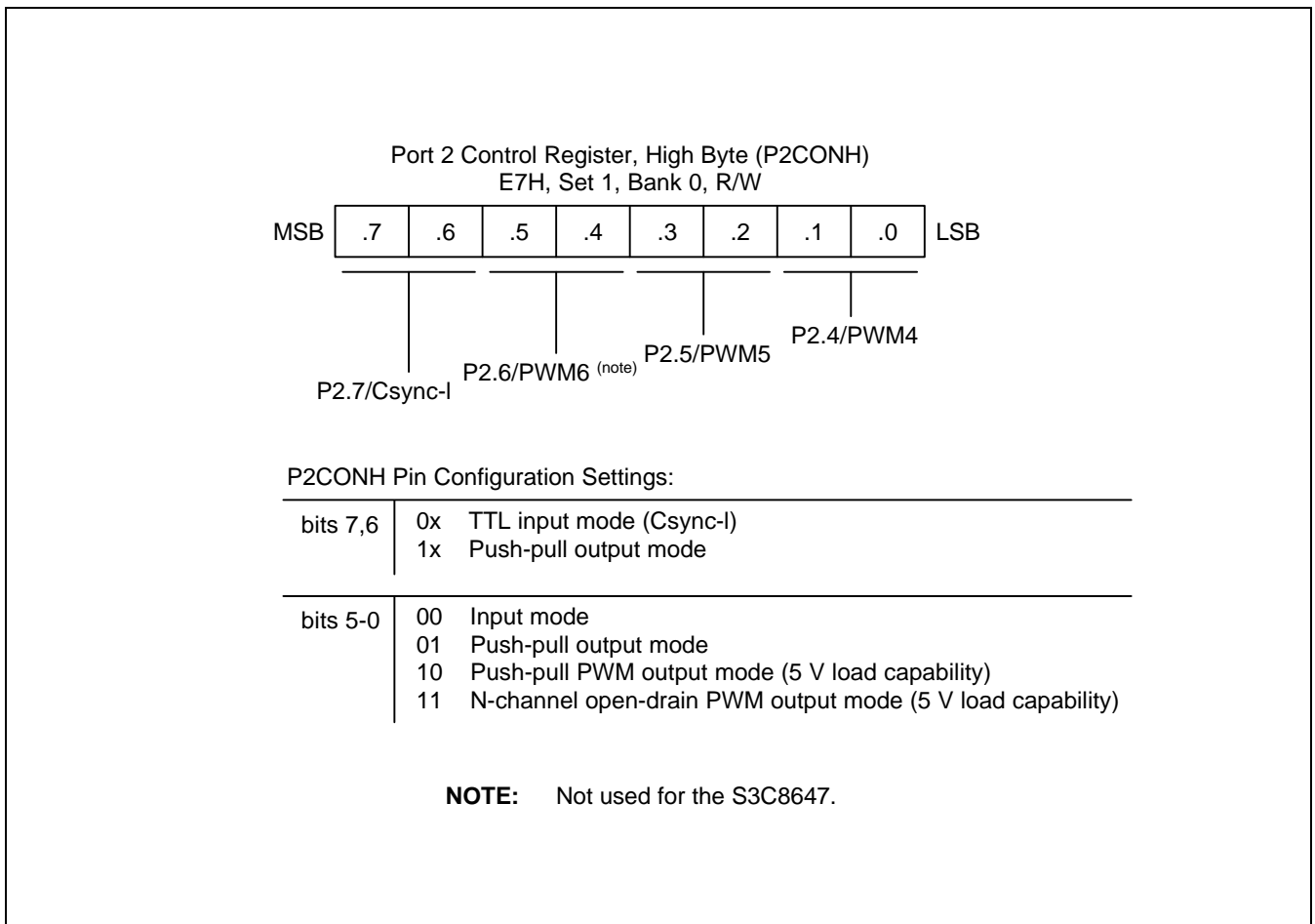


Figure 9-6. Port 2 High-Byte Control Register (P2CONH)

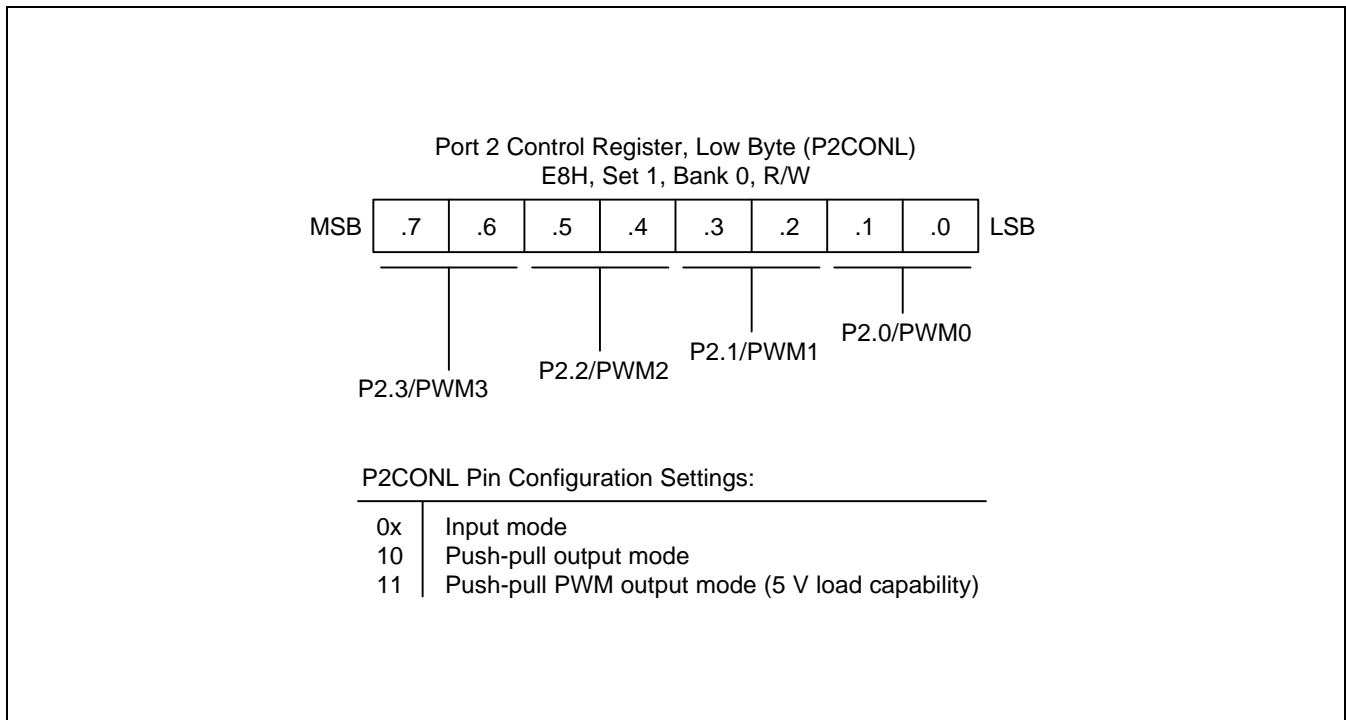


Figure 9-7. Port 2 Low-Byte Control Register (P2CONL)

PORT 3

Port 3 is an 8-bit I/O port with individually configurable pins. You can directly access it by writing or reading the port 3 data register, P3 (set 1, bank 0, E3H). You can selectively configure P3 pins to input or output mode. In input mode, you can also select A/D converter input mode (P3.0–P3.3 only) or normal digital input mode (with or without pull-up resistor). Output mode is push-pull mode or n-channel open-drain mode (P3.4–P3.7 only).

Two 8-bit control registers are used to configure port 3 pins: P3CONH (E9H, set 1, bank 0) for P3.7–P3.4 and P3CONL (set 1, bank 0, EAH) for P3.3–P3.0. Each byte contains four bit-pairs and each bit-pair configures one pin.

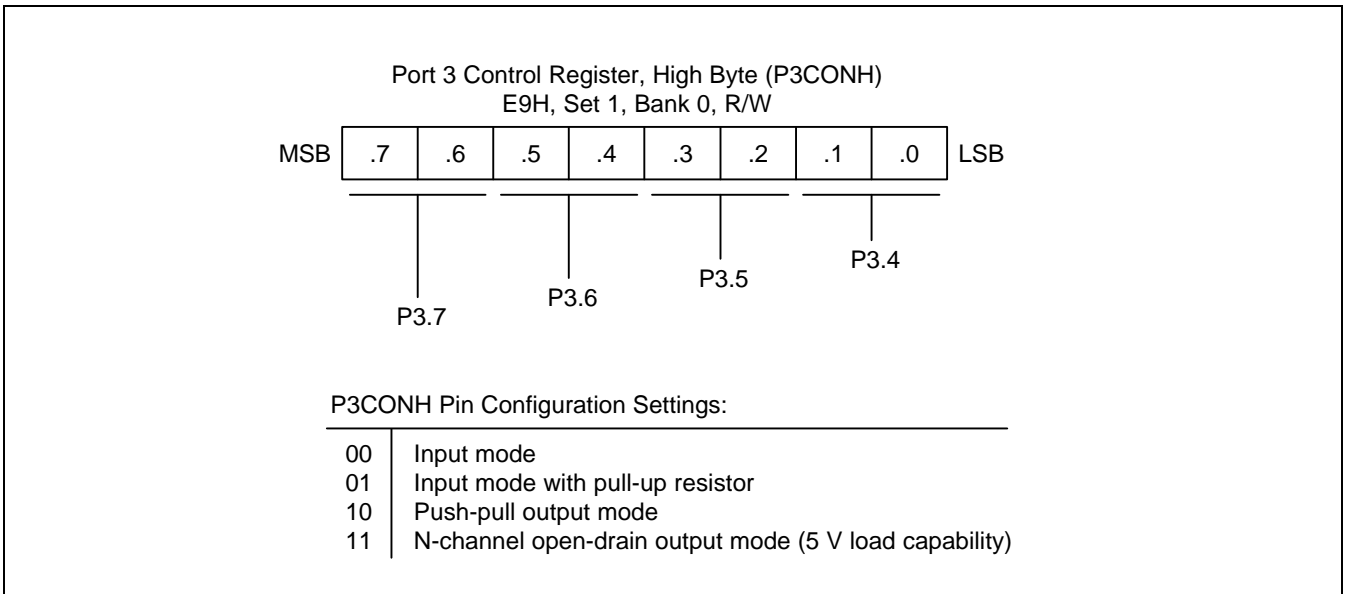


Figure 9-8. Port 3 High-Byte Control Register (P3CONH)

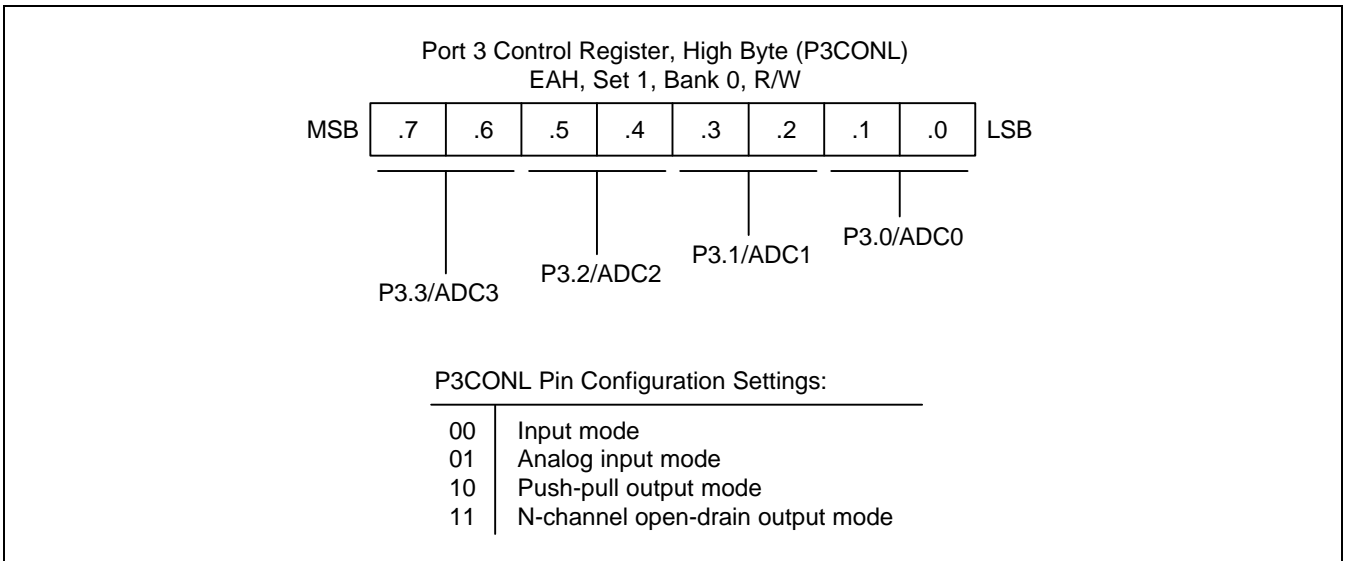


Figure 9-9. Port 3 Low-Byte Control Register (P3CONL)

FUNCTION-FIXED PORT

These I/O pins are used only for the input and output of video synchronization signals to the sync processor or DDC & IIC-bus interface. The horizontal and vertical sync signals can be monitored directly through the Sync Port Read Data Register (SYNCRD).

Sync signal ports

- Csync-I: Composite (SOG) synchronization input port (TTL level)
- Hsync-I: Horizontal synchronization input (TTL level)
- Vsync-I: Vertical synchronization input and synchro clock (VCLK) for DDC1 (TTL level)
- Hsync-O: Horizontal synchronization output from the sync processor
- Vsync-O: Vertical synchronization output from the sync processor
- Clamp-O: Clamp signal output with programmable width from the sync processor

DDC and IIC-bus interface ports

- SDA0: DDC and IIC-bus interface serial data
- SCL0: DDC and IIC-bus interface serial clock

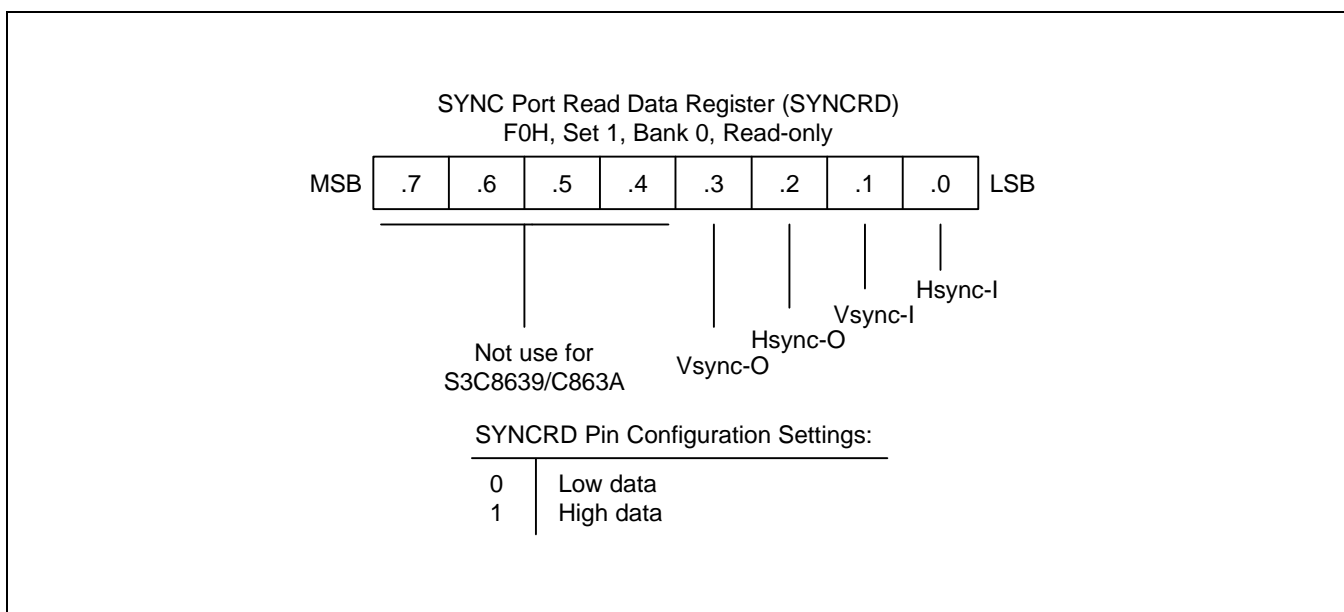


Figure 9-10. Sync Port Read Data Register (SYNCRD)

PROGRAMMING TIP — Configuring I/O Port Pins to Specification

The following sample program shows you how to configure the S3C8639/C863A/C8647 I/O ports to specification. The program comments explain the effect of the settings:

```

•
•
•
SB0                ; Select bank 0

LD      P0CONH,#0FFH    ; Set port 0 high byte to push-pull output mode
LD      P0CONL,#0D5H    ; Set P0.3 to push-pull output mode
                        ; Set P0.0–P0.2 to rising edge interrupt mode

LD      P0INT,#0FH      ; Enable port 0 external interrupt

LD      P1CON,#00H      ; Set port 1 to input mode

LD      P2CONH,#3FH      ; Set port 2 high byte to PWM n-channel open-drain
                        ; output mode (5-volt capability) and Csync input mode

LD      P2CONL,#0FFH    ; Set port 2 low byte to PWM push-pull output mode

LD      P3CONH,#0AAH    ; Set port 3 high byte to push-pull output mode
LD      P3CONL,#55H      ; Set port 3 low byte to analog input mode

•
•
•

```

NOTES

10

BASIC TIMER

OVERVIEW

S3C8639/C863A/C8647 has a default timer: an 8-bit *basic timer*.

You can use the basic timer (BT) in two different ways:

- As a watchdog timer, it provides an automatic reset mechanism in the event of a system malfunction.
- Signals the end of the required oscillation stabilization interval after a reset or a Stop mode release.

The functional components of the basic timer block are:

- Clock frequency divider (f_{OSC} divided by 4096, 1024, or 128) with multiplexer
- 8-bit basic timer counter, BTCNT (set 1, bank 0, FDH, read-only)
- Basic timer control register, BTCON (set 1, D3H, read/write)
- Watchdog timer control register, WDTCON (set 1, bank 0, ECH, read/write)

BASIC TIMER CONTROL REGISTER (BTCON)

The basic timer control register, BTCON, is used to select the input clock frequency, to clear the basic timer counter and frequency dividers, and to enable or disable the watchdog timer function. It is located in set 1, address D3H, and is read/write addressable using register addressing mode.

A reset clears BTCON to "00H". This enables the watchdog function and selects a basic timer clock frequency of $f_{OSC}/4096$. To disable the watchdog function, you must write the signature code "1010B" to the basic timer register control bits BTCON.7–BTCON.4.

The 8-bit basic timer counter, BTCNT (set 1, bank 0, FDH), can be cleared at any time during the normal operation by writing a "1" to BTCON.1. To clear the frequency dividers for both the basic timer input clock and the timer M0 clock (unless timer M0 uses an external clock source), you should write a "1" to BTCON.0.

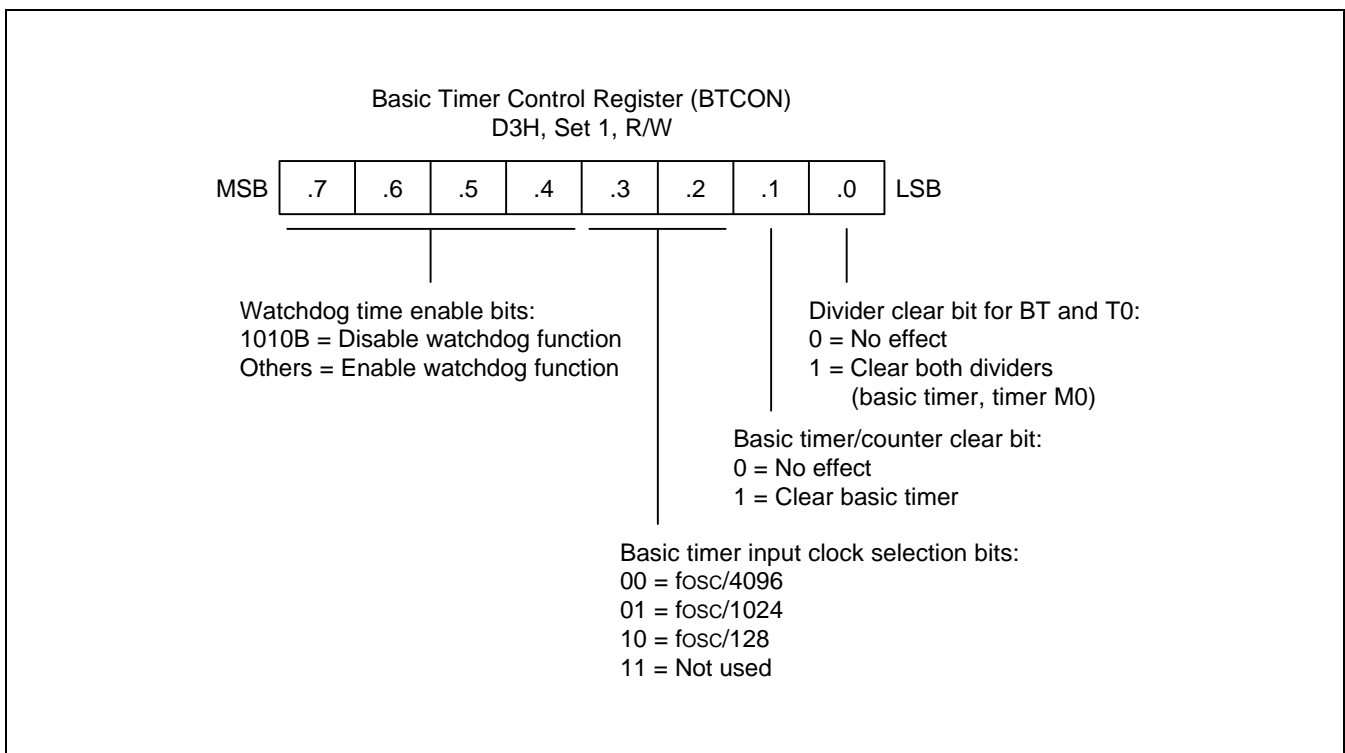


Figure 10-1. Basic Timer Control Register (BTCON)

WATCHDOG TIME CONTROL REGISTER (WDTCON)

The watchdog time control register, WDTCON, is used to generate various watchdog time and to select Hsync output. It is located in set 1, bank 0, address ECH, and is read/write addressable using register addressing mode.

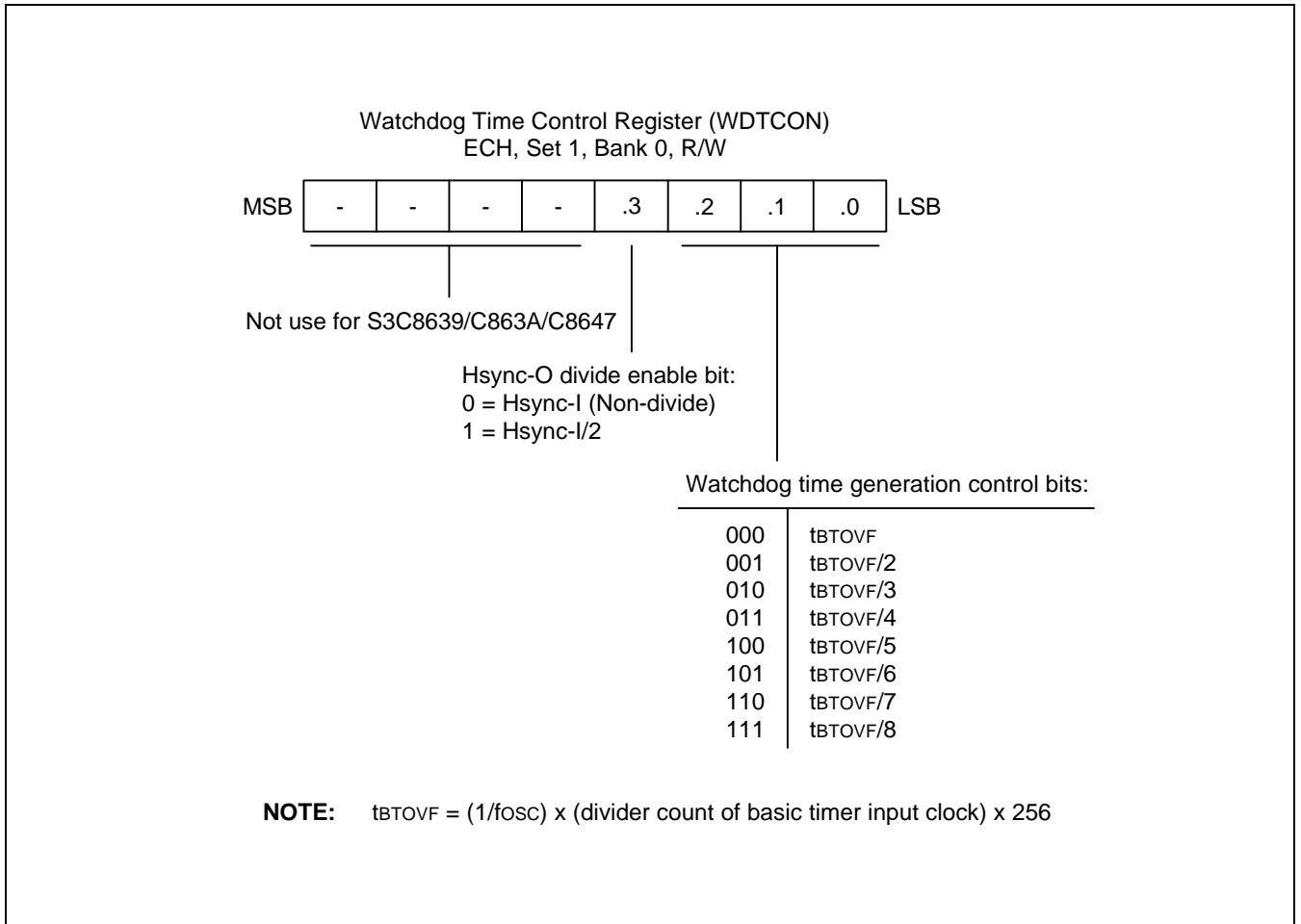


Figure 10-2. Watchdog Time Control Register (WDTCON)

BASIC TIMER FUNCTION DESCRIPTION

Watchdog Timer Function

You can program the basic timer overflow signal (BTOVF) to generate a reset by setting BTCON.7–BTCON.4 to any value other than "1010B" (The "1010B" value disables the watchdog function). A reset clears BTCON to "00H", automatically enabling the watchdog timer function. A reset also selects the CPU clock (as determined by the current CLKCON register setting), divided by 4096, as the BT clock.

A reset whenever a basic timer counter overflow occurs. During the normal operation, the application program must prevent the overflow and the accompanying reset operation from occurring. To do this, the BTCNT value must be cleared (by writing a "1" to BTCON.1) at regular intervals. And you can generate the various watchdog time by setting WDTCON.2-WDTCON.0.

If a system malfunction occurs due to circuit noise or some other error condition, the BT counter clear operation will not be executed and a basic timer overflow will occur, initiating a reset. In other words, during the normal operation, the basic timer overflow loop (a bit 7 overflow of the 8-bit basic timer counter, BTCNT) is always broken by a BTCNT clear instruction. If a malfunction does occur, a reset is triggered automatically.

Oscillation Stabilization Interval Timer Function

You can also use the basic timer to program a specific oscillation stabilization interval after a reset or when stop mode has been released by an external interrupt.

In Stop mode, whenever a reset or an external interrupt occurs, the oscillator starts. The BTCNT value then starts increasing at the rate of $f_{OSC}/4096$ (for reset), or at the rate of the preset clock source (for an external interrupt). When BTCNT.4 overflows, a signal is generated to indicate that the stabilization interval has elapsed and to gate the clock signal off to the CPU so that it can resume the normal operation.

In summary, the following events occur when Stop mode is released:

1. During the stop mode, a power-on reset or an external interrupt occurs to trigger the stop mode release and oscillation starts.
2. If a power-on reset occurred, the basic timer counter would increase at the rate of $f_{OSC}/4096$. If an external interrupt is used to release Stop mode, the BTCNT value increases at the rate of the preset clock source.
3. Clock oscillation stabilization interval begins and continues until bit 4 of the basic timer counter overflows.
4. When a BTCNT.4 overflow occurs, the normal CPU operation resumes.

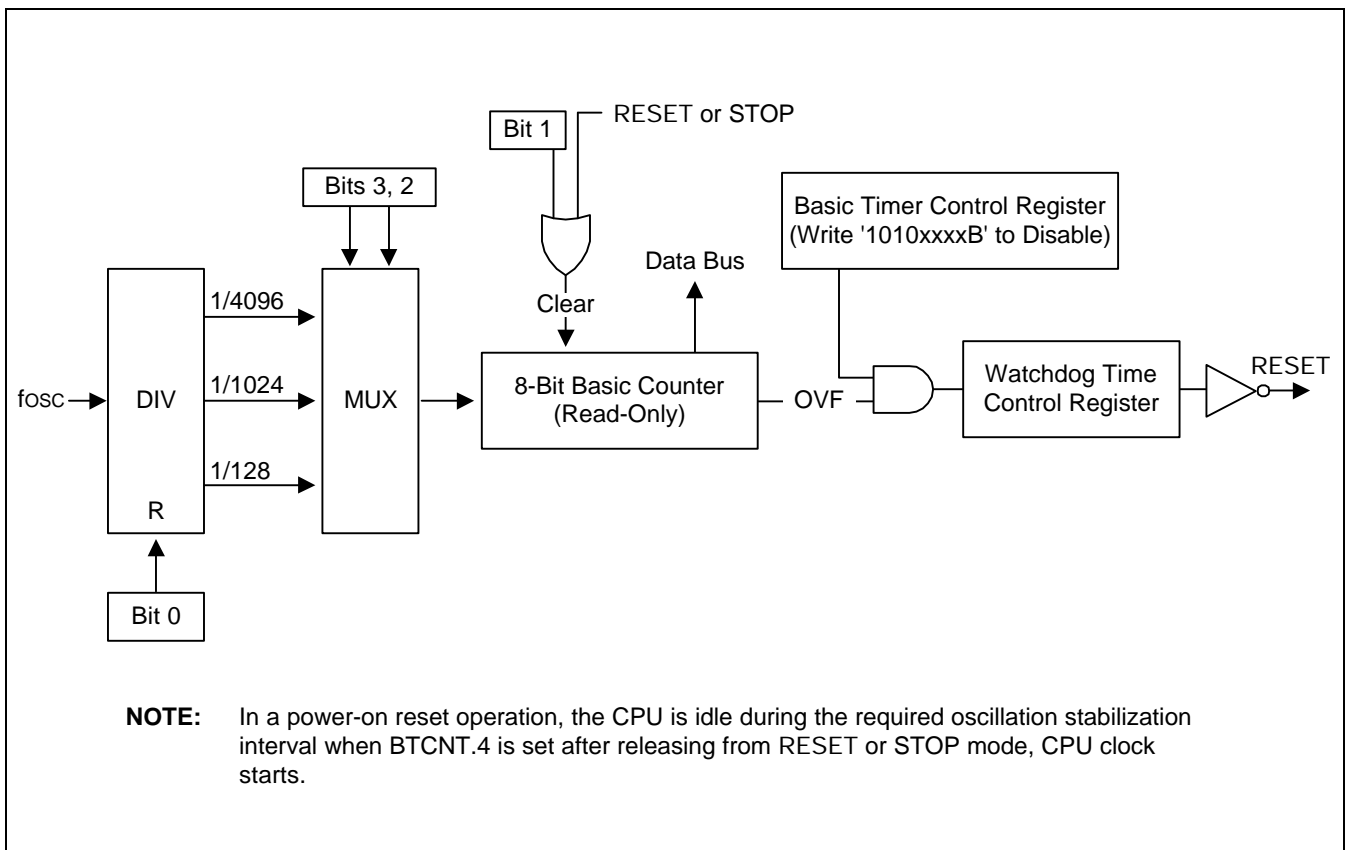


Figure 10-3. Basic Timer Block Diagram

PROGRAMMING TIP — Configuring the Basic Timer

This example shows how to configure the basic timer to sample specifications:

```

RESET      ORG          0100H
           DI           ; Disable all interrupts
           SB0          ; Select bank 0
           LD           BTCON,#0AAH ; Disable the watchdog timer
           LD           CLKCON,#98H ; Non-divided clock
           CLR          SYM      ; Disable global and fast interrupts
           CLR          SPL      ; Stack pointer low byte ← "0"
           ; Stack area starts at 0FFH
           .
           .
           .
           SRP          #0C0H    ; Set register pointer ← 0C0H
           EI           ; Enable interrupts
           .
           .
           .
MAIN       LD           BTCON,#A2H ; Watchdog timer disable
           ; Basic timer/counter clear

           LD           BTCON,#52H ; Enable the watchdog timer
           ; Basic timer clock: fOSC/4096
           ; Clear basic timer counter

           LD           WDTCON,#03H ; Watchdog time: tBTOVF/4
           NOP
           NOP
           .
           .
           .
           JP          T,MAIN
           .
           .
           .

```

11

TIMER M0

OVERVIEW

The 8-bit *timer M0* is for monitor application. Timer M0 includes capture timer mode using the appropriate TM0CON setting.

Timer M0 has the following functional components:

- Clock frequency divider (f_{OSC} divided by 128 or 8) with multiplexer
- 2-bit prescaler for the timer M0 input clock
- 8-bit counter (TM0CNT; set1, D0H, read-only) and 8-bit reference data register (TM0DATA; set1, D1H, read-only)
- Timer M0 capture or overflow interrupt (IRQ0, vector E2H, E0H) generation
- Timer M0 control register, TM0CON (set 1, D2H, read/write)

FUNCTION DESCRIPTION

CAPTURE TIMER FUNCTION

The timer M0 module can generate two interrupts: the timer M0 capture interrupt (TM0INT), and the timer M0 overflow interrupt (TM0OVF). TM0INT belongs to interrupt level IRQ0, and is assigned the separate vector address, E2H. TM0OVF is interrupt level IRQ0, vector E0H.

The TM0INT and TM0OVF pending conditions are automatically cleared by hardware after they are serviced.

In capture timer mode, a signal edge that is detected at the TM0CAP pin opens a gate and loads the current counter value into the timer M0 data register (TM0DATA). You can select rising or falling edge to trigger this operation.

Both kinds of timer M0 interrupts can be used in capture mode: the timer M0 overflow interrupt is generated whenever a counter overflow occurs; the timer M0 capture interrupt is generated whenever the counter value is loaded into the timer M0 data register.

By reading captured data value in TM0DATA, and assuming a specific value for the timer M0 clock frequency, you can calculate the internal time of the signal being input to the TM0CAP pin or the vertical sync output signal being output from the sync-processor module.

Timer M0 Control Register (TM0CON)

You use the timer M0 control register, TM0CON, to

- Select the timer M0 operating mode (capture mode)
- Select the timer M0 input clock frequency
- Clear the timer M0 counter, TM0CNT
- Enable the timer M0 overflow interrupt and timer M0 capture interrupt
- Select a 2-bit prescaler value for the Timer M0 input clock
- Select the timer M0 capture input source

TM0CON is located in set 1, at address D2H, and is read/write addressable using Register addressing mode.

A reset clears TM0CON to "00H". This sets timer M0 to disable capture timer mode, selects an input clock frequency of $f_{OSC}/128$, and disables timer M0 overflow and capture interrupts. You can clear the timer M0 counter at any time during the normal operation by writing a "1" to TM0CON.2.

The timer M0 overflow interrupt (TM0OVF) is in the interrupt level IRQ0 and has the vector address E0H. When the timer M0 capture interrupt is disabled, the Timer M0 overflow interrupt by clock (f_{OSC}) is possible. When a timer M0 overflow interrupt occurs and is serviced by the CPU, the pending condition is cleared automatically by hardware.

To enable the timer M0 capture interrupt (IRQ0, vector E2H), you must write TM0CON.1 to "1". There is no pending bit cleared by software or static read bit which is H/W pending. After the interrupt request is serviced, the pending condition is automatically cleared by hardware.

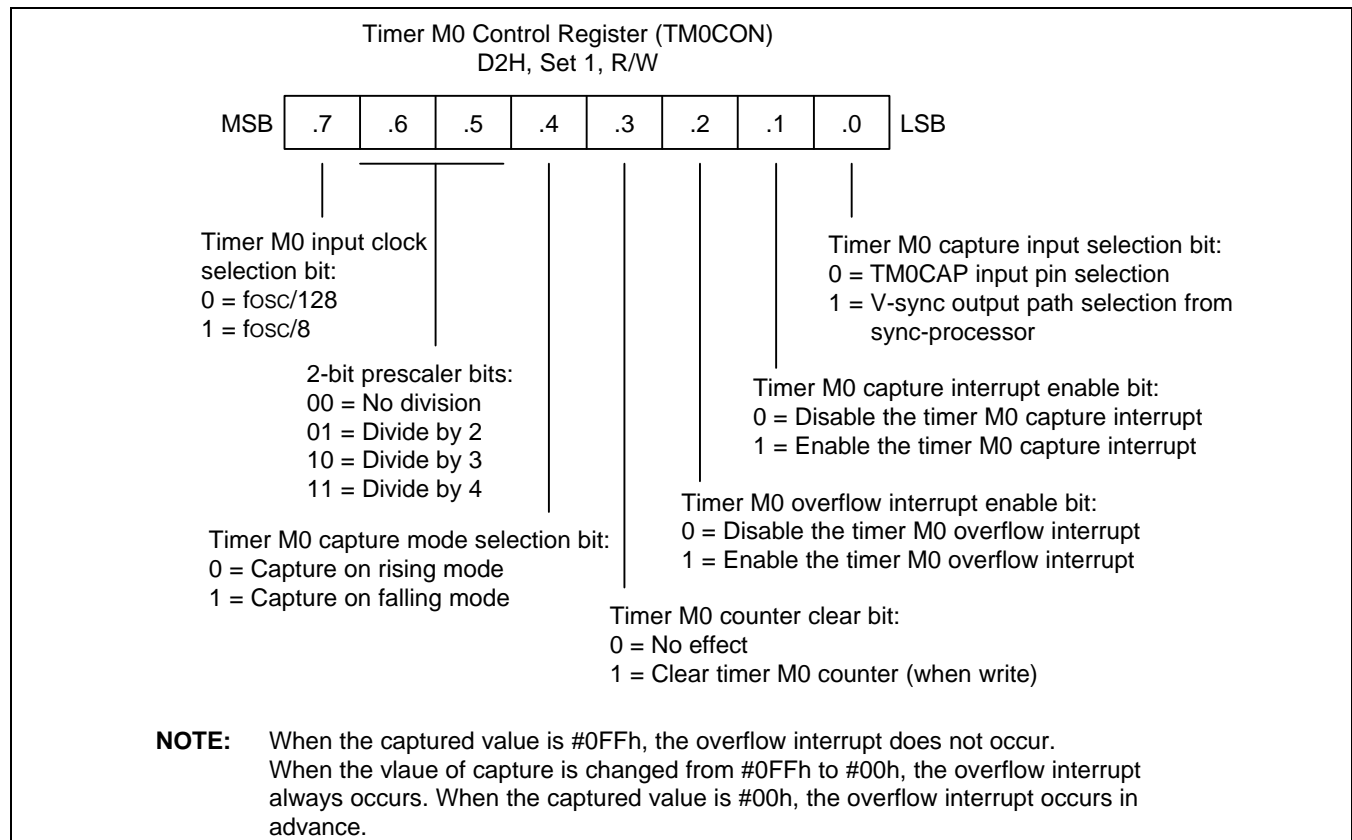


Figure 11-1. Timer M0 Control Register (TM0CON)

BLOCK DIAGRAM

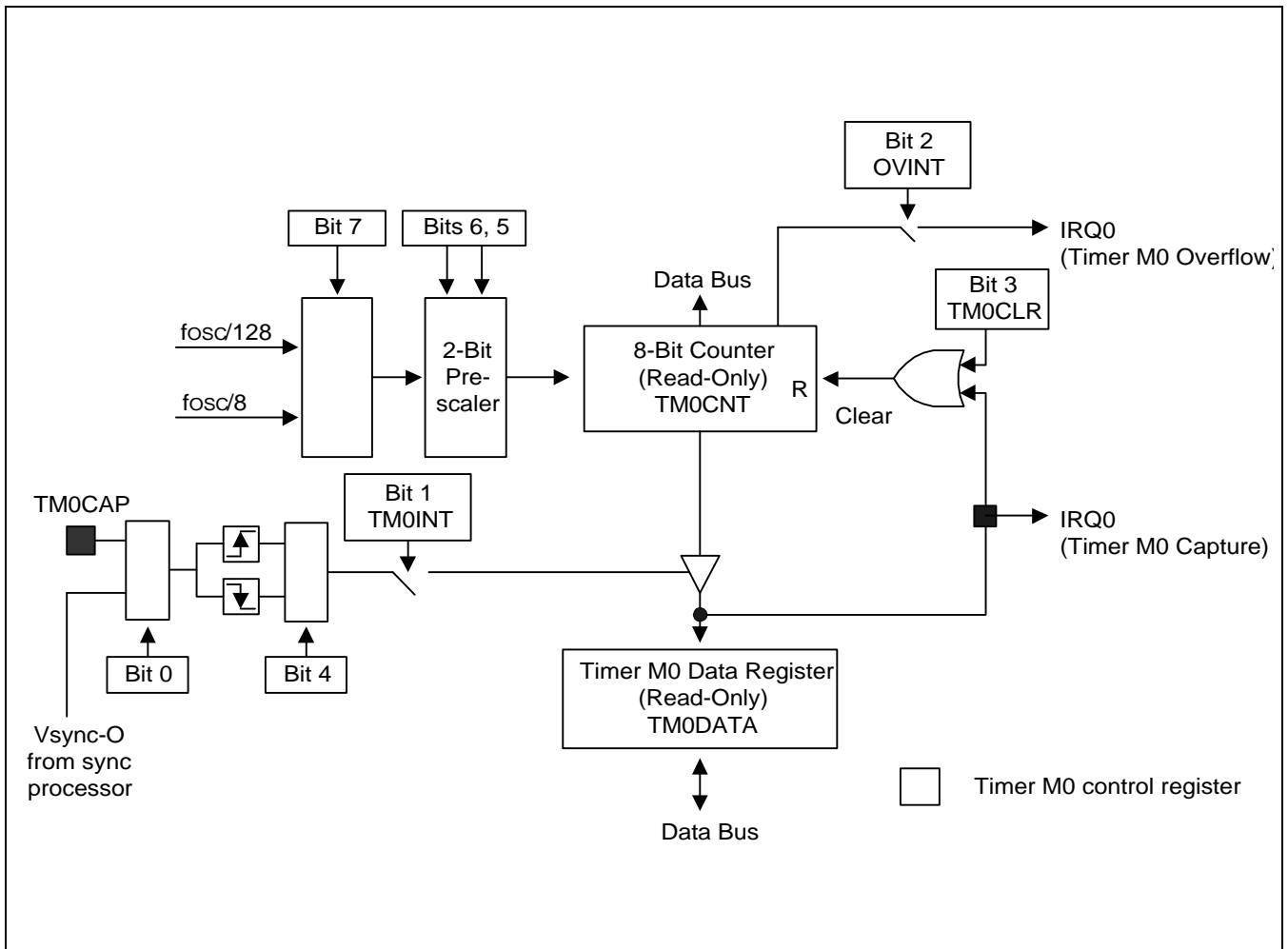


Figure 11-2. Timer M0 Functional Block Diagram

NOTES

12

TIMER M1

OVERVIEW

The 12-bit *timer M1* is an 12-bit timer/counter for monitor application. Timer M1 offers capture/overflow timer mode using the appropriate TM1CON setting.

Timer M1 has the following functional components:

- Clock frequency selector as the timer M1 clock (f_{OSC} divided by 512, 128, or 2, Hsync-I or Csync-I from sync-processor) with multiplexer
- Capture signal selector from V-syncO (sync-processor) or the timer M2 interval time
- 12-bit counter (TM1CNTH, TM1CNTL; set1, bank0, F1H, F2H, read-only) and 12-bit reference data register (TM1DATAH, TM1DATAL; set1, bank0, F3H, F4H, read-only)
- Timer M1 capture or overflow interrupt (IRQ2, vector E8H, E6H) generation
- Timer M1 control register, TM1CON (set 1, bank0, F5H, read/write)

FUNCTION DESCRIPTION

Overflow Timer Function

The timer M1 module generates an overflow signal whenever the timer M1 counter overflow occurs. If you set the timer M1 overflow interrupt enable bit, TM1CON.2, to "1", an interrupt is generated whenever an overflow state is detected. After the interrupt request is generated, the counter register value is cleared and counting resumes from "00H".

The timer M1 overflow interrupt pending condition is automatically cleared by hardware when it has been serviced.

Capture Timer Function

The Timer M1 module can generate, the timer M1 capture interrupt (TM1INT). TM1INT belongs to interrupt level IRQ2, and is assigned the vector address, E8H.

In capture timer mode, a capture signal from Vsync-O (sync-processor) or the timer M2 interval timer opens a gate and loads the current counter value into the timer M1 data register (TM1DATA). You can select Vsync-O or the timer M2 interval timer as the capture signal source to trigger this operation.

By reading captured data value in TM1DATAH and TM1DATAL, and assuming a specific value for the timer M1 clock frequency, you can calculate the frequency of the signal being input to the Hsync-I or Csync-I from sync-processor by capture signal.

Timer M1 Control Register (TM1CON)

You use the timer M1 control register, TM1CON, to

- Select the capture signal source
- Select the timer M1 clock input
- Clear the timer M1 counter, TM1CNTH and TM1CNTL
- Enable the timer M1 capture and overflow interrupt
- Clear the timer M1 capture interrupt pending bit
- Select Vsync-O capture edge as capture signal source (When TM1CON.7 = "1")

TM1CON is located in set 1, bank0, at address F5H, and is read/write addressable using Register addressing mode.

The setting for bit-pair TM1CON.0 and TM1CON.1 selects the timer M1 counter clock input. The timer M1 capture and overflow interrupt (TM1INT, TM1OVF) are in the interrupt level IRQ2, but has the different vector address (E8H, E6H respectively).

TM1CON.4 is the interrupt pending flag for the timer M1 capture interrupt. To clear a timer M1 interrupt pending condition, the interrupt service routine must write a "0" to TM1CON.4 after the CPU has acknowledged the request. TM1CON.3 is flag to clear the 12-bit Timer M1 counter.

TM1CON.7 is flag to select the capture signal source (timer M2 interval time or Vsync-O from sync-processor) and TM1CON.6 is flag to select the capture edge as the Vsync-O capture signal source.

A reset operation clears TM1CON to "00H", selecting the Hsync-I or Csync-I from sync-processor are the timer M1 clock and disabling the timer M1 capture and overflow interrupt.

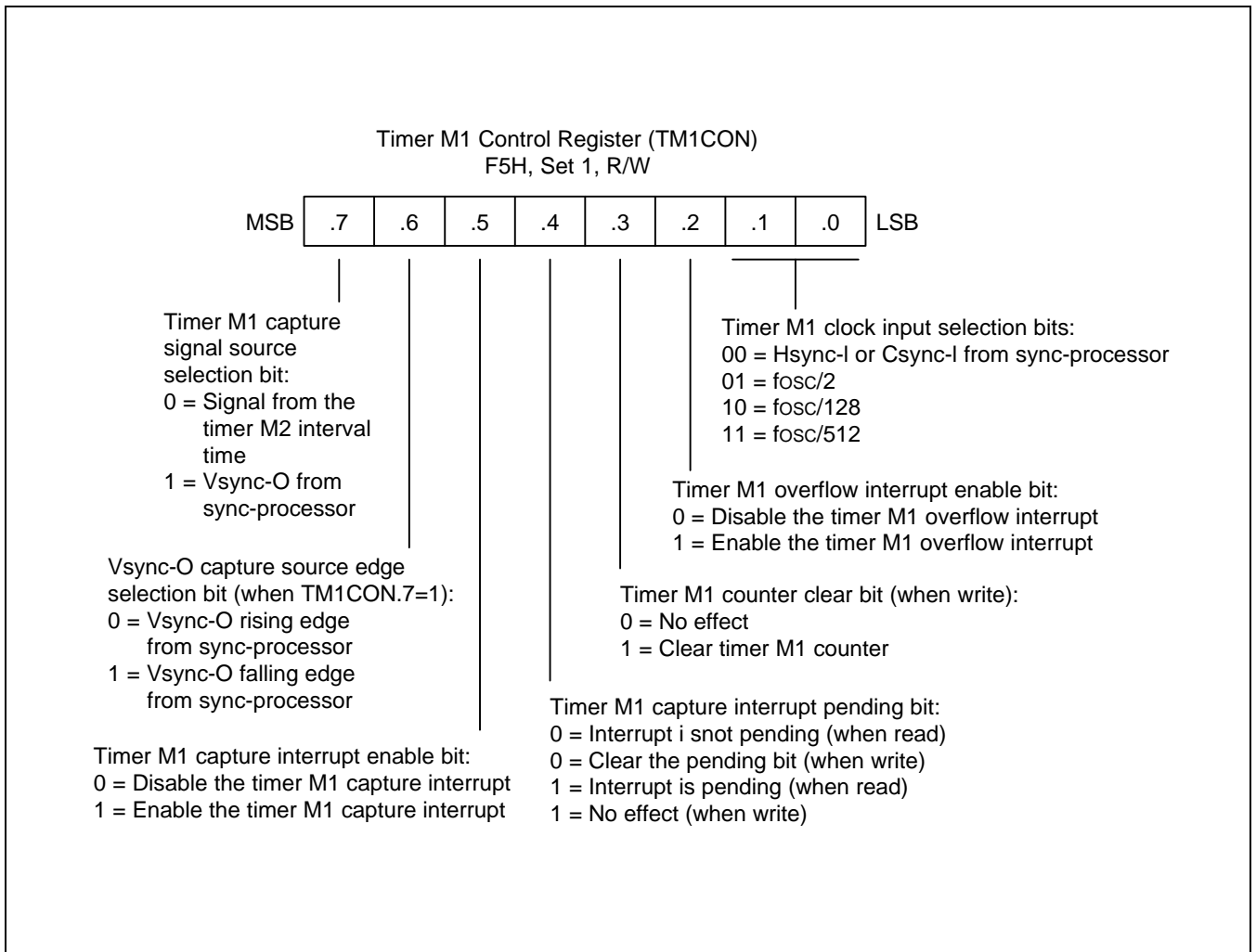


Figure 12-1. Timer M1 Control Register (TM1CON)

BLOCK DIAGRAM

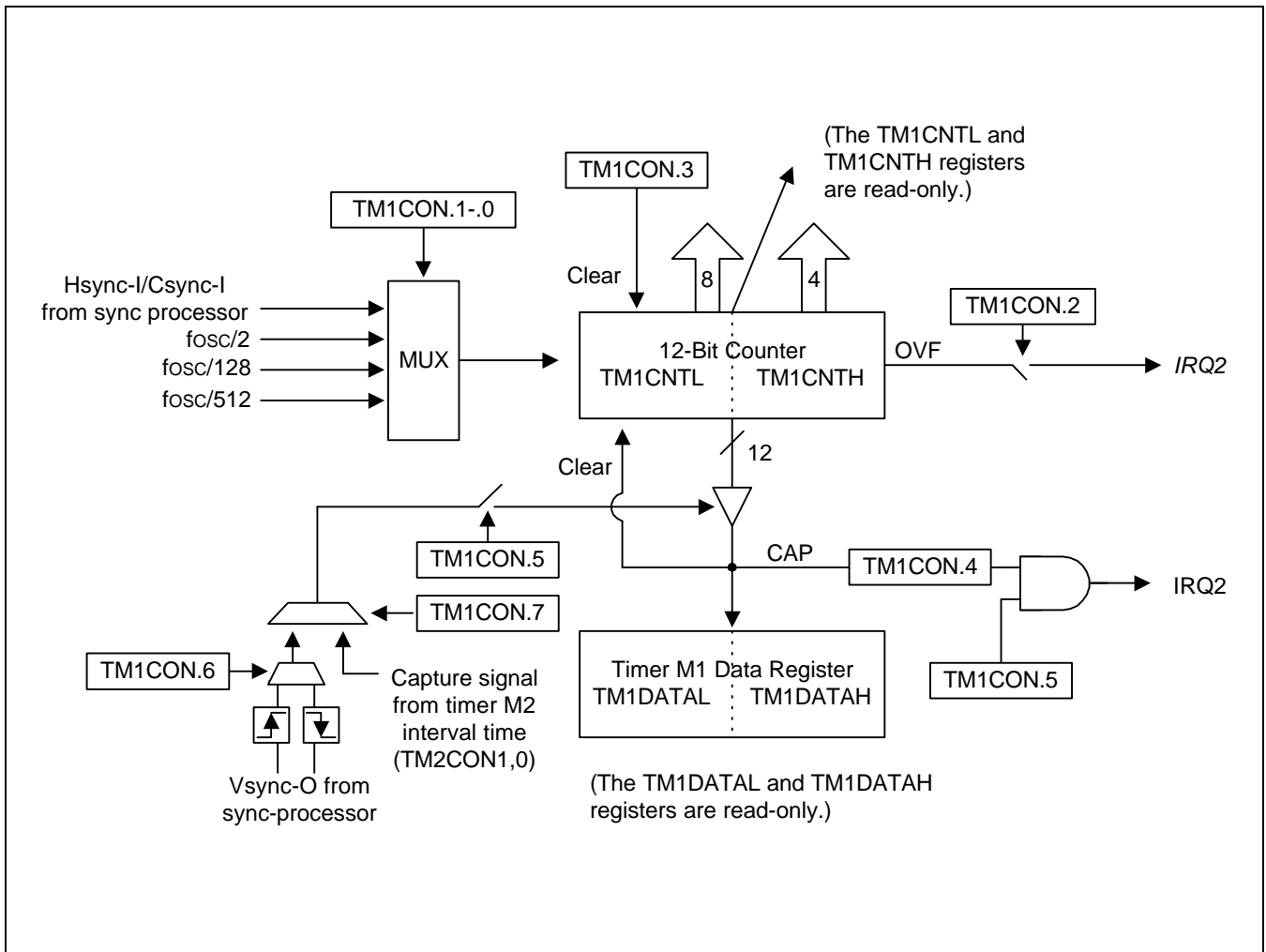


Figure 12-2. Timer M1 Functional Block Diagram

13

TIMER M2

OVERVIEW

The interval timer M2 is no-counter timer for monitor application. Timer M2 offers interval timer mode using the appropriate TM1CON setting.

Timer M2 has the following functional components:

- 5-bit scaler by $f_{OSC}/1000$ for timer M2 interval source
- Timer M1 capture interval time source selector (When TM1CON.5 is "1") with 2-bit scaler
- Timer M2 interval interrupt (IRQ1, vector E4H) generation
- Timer M2 control register, TM2CON (set 1, F6H, read/write)

FUNCTION DESCRIPTION

Interval Timer Function

The timer M2 module generates an interval interrupt whenever the TM2CON.2 is "1". TM2INT belongs to the interrupt level IRQ1, and is assigned the separate vector address, E4H. The TM2INT pending condition is automatically cleared by hardware when it has been serviced.

Timer M2 Control Register (TM2CON)

You use the timer M2 control register, TM2CON, to

- Select the interval time signal source by 5-bit scaler
- Enable the timer M2 interval interrupt
- Select timer M1 capture interval time by 2-bit scaler (When TM1CON.5 = "1")

TM2CON is located in set 1, bank0, at address F6H, and is read/write addressable using Register addressing mode.

A reset operation clears TM2CON to "F8H" (11111000B), thereby setting the 5-bit scaler value to be divided by 32.

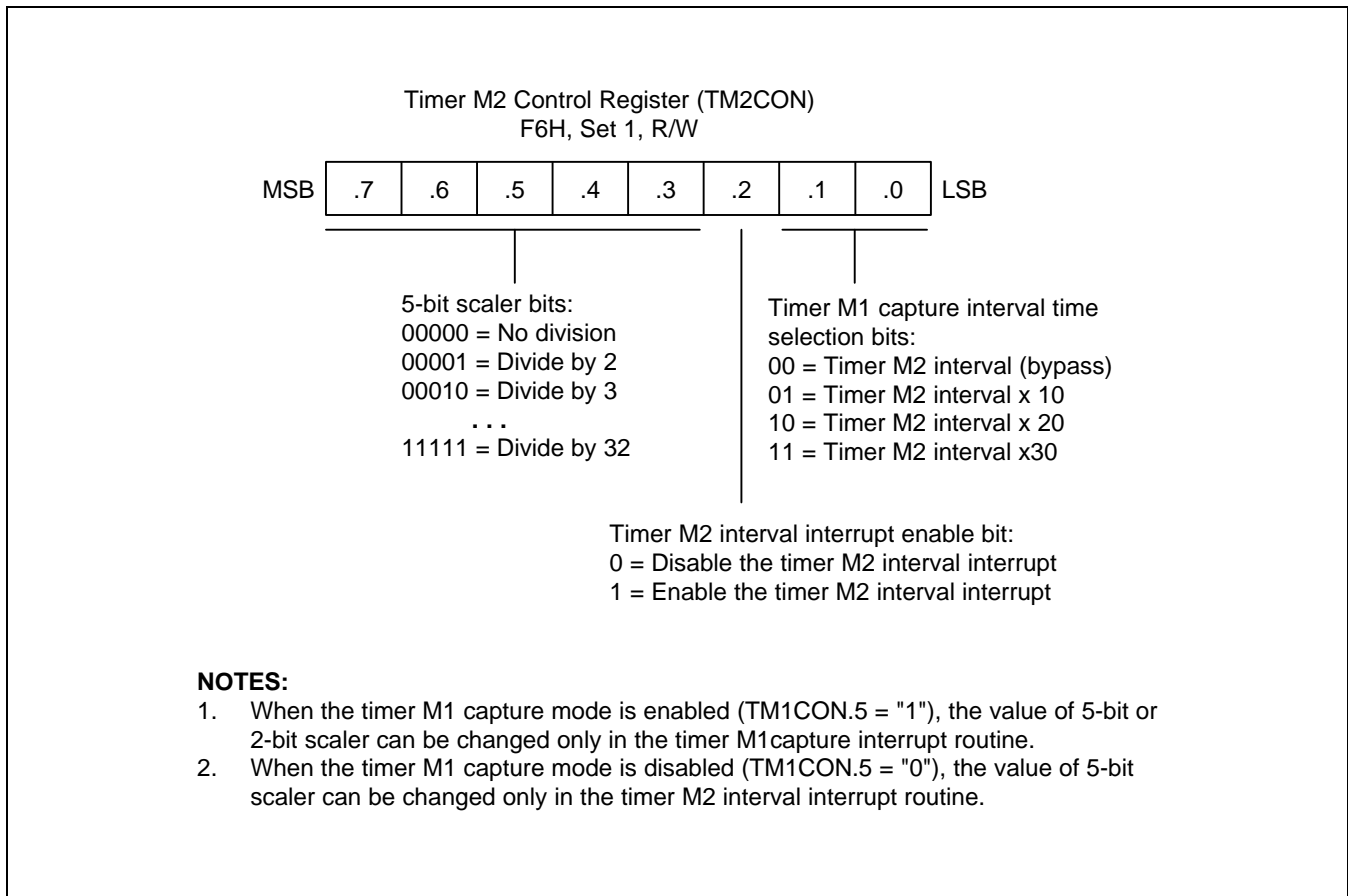


Figure 13-1. Timer M2 Control Register (TM2CON)

BLOCK DIAGRAM

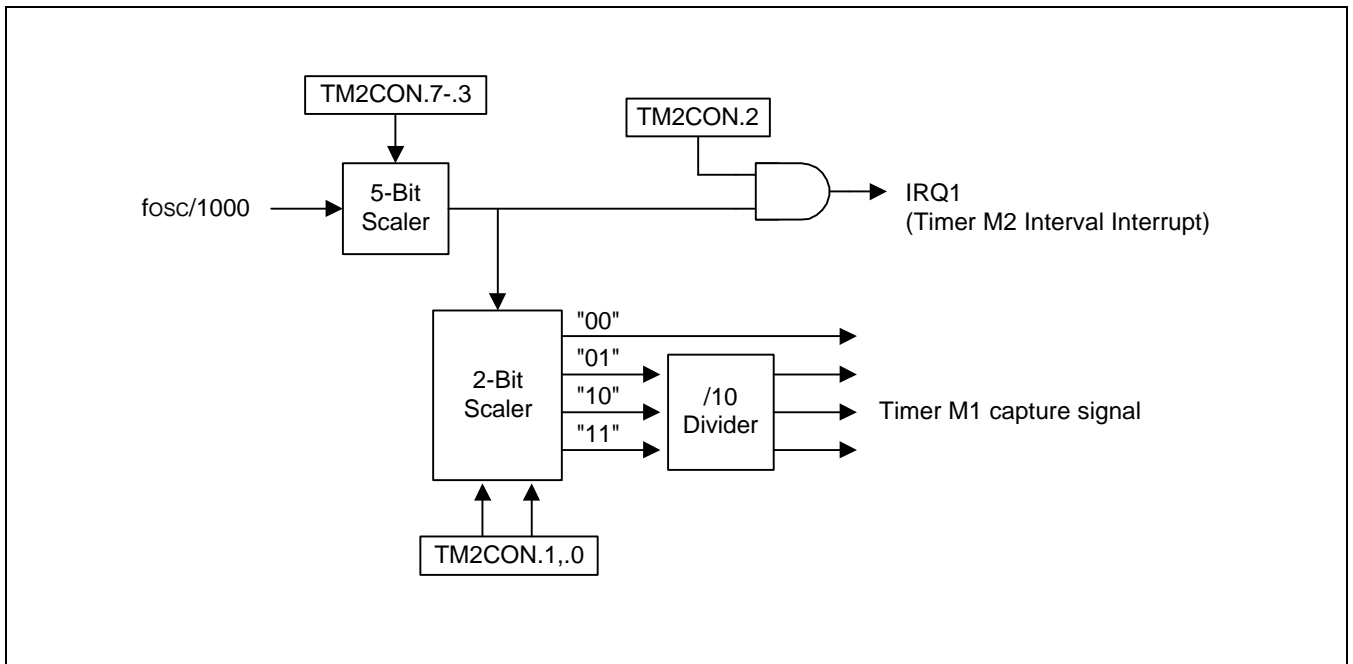


Figure 13-2. Timer M2 Functional Block Diagram

NOTES

14 ANALOG-TO-DIGITAL CONVERTER

OVERVIEW

The 8-bit A/D converter (ADC) module of S3C8639/C863A/C8647 employs successive approximation logic to convert analog levels entering one of the four input channels to equivalent 8-bit digital values. The analog input level must lie between the V_{DD2} and V_{SS2} values. The A/D converter has the following components:

- Analog comparator with successive approximation logic
- D/A converter logic (resistor string type)
- 8-bit ADC control register (ADCON)
- Four multiplexed analog data input pins (ADC0–ADC3)
- 8-bit A/D conversion data output register (ADDATA) (S3C863X)
- 4-bit A/D conversion data output register (ADDATA) (S3C8647)
- 8-bit digital input port (Alternatively, I/O port)
- V_{DD2} and V_{SS2} pins (S3C863X)

FUNCTION DESCRIPTION

To initiate an analog-to-digital conversion procedure, write the channel selection data in the A/D converter control register ADCON to select one of the four analog input pins (ADC n , $n = 0-3$) and set the conversion start or enable bit, ADCON.0. The read-write ADCON register is located in set 1, bank0, at address F7H.

During the normal conversion, ADC block initially sets the successive approximation register to 80H (approximately the half-way point of an 8-bit register). This register is then updated automatically in each conversion step. The successive approximation block performs 8-bit conversions for one input channel at a time. You can dynamically select different channels by manipulating the channel selection bit value (ADCON.5–.4) in the ADCON register. To start the A/D conversion, you should set, ADCON.0. When a conversion is completed, ADCON.3, the end-of-conversion (EOC) bit, is automatically set to 1 and the result is dumped into the ADDATA register where it can be read. The A/D converter then enters an idle state. Remember to read the contents of ADDATA before another conversion starts. Otherwise, the previous result will be overwritten by the next conversion result.

NOTE

As the A/D converter does not include any sample-and-hold circuitry, it is very important to keep the fluctuation in the analog level at the ADC0–ADC3 input pins to an absolute minimum during the conversion process. Any change in the input level, perhaps due to noise, will invalidate the result. If the chip enters to STOP or IDLE mode in conversion process, there will be a leakage current path in A/D block. You must use STOP or IDLE mode after A/D converting operation is finished.

CONVERSION TIMING

The A/D conversion process requires 4 steps (8 clock edges) to convert each bit. Therefore, a total of 48 clocks are required to complete an 10-bit conversion. With an 8 MHz f_{OSC} clock frequency, one clock cycle is 1 μs (when ADCON.2, .1 are "01"). If each bit conversion requires 4 clocks, the conversion rate is calculated as follows:

start (4 clocks) + (4 clocks/bit \times n bits) + EOC (4 clocks) = 4(n+2) clocks, 1 $\mu s \times 4(n+2) = 4(n+2) \mu s$ at 8 MHz where, n = 4 (S3C8647), 10 (S3C863x)

A/D CONVERTER CONTROL REGISTER (ADCON)

The A/D converter control register, ADCON, is located at address F7H in set 1, bank0. It has four functions:

- Analog input pin selection (bits 4,5 and 6)
- End-of-conversion status detection (bit 3)
- Clock source selection (bits 2 and 1)
- A/D operation start or enable (bit 0)

After a reset, the ADC0 pin is automatically selected as the analog data input pin, and the start bit is turned off.

You can select only one analog input channel at a time. Other analog input pins (ADC0–ADC3) can be selected dynamically by manipulating the ADCON.6–.4 bits.

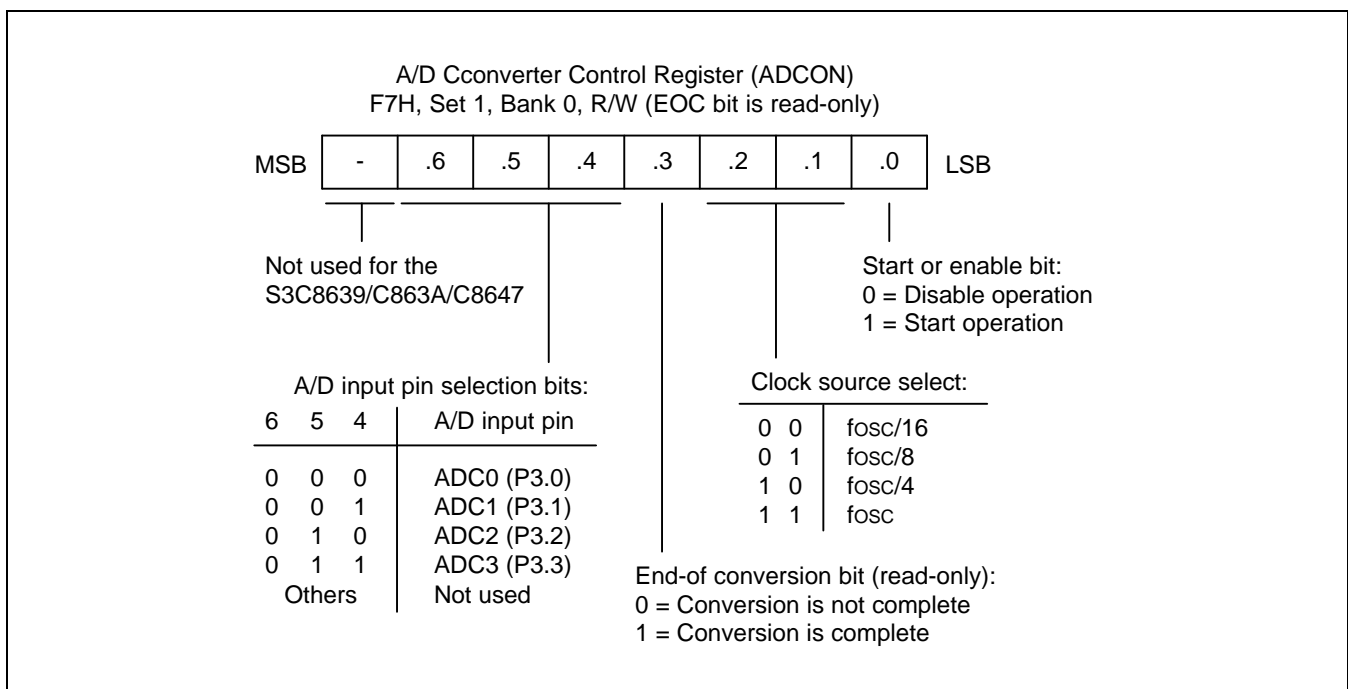


Figure 14-1. A/D Converter Control Register (ADCON)

INTERNAL REFERENCE VOLTAGE LEVELS

In the ADC function block, the analog input voltage level is compared to the reference voltage. The analog input level must remain within the range of AV_{SS} (V_{SS2}) to AV_{REF} (V_{DD2}).

Different reference voltage levels are generated internally along the resistor tree during the analog conversion process for each conversion step. The reference voltage level for the first conversion bit is always $1/2 V_{DD2}$.

BLOCK DIAGRAM

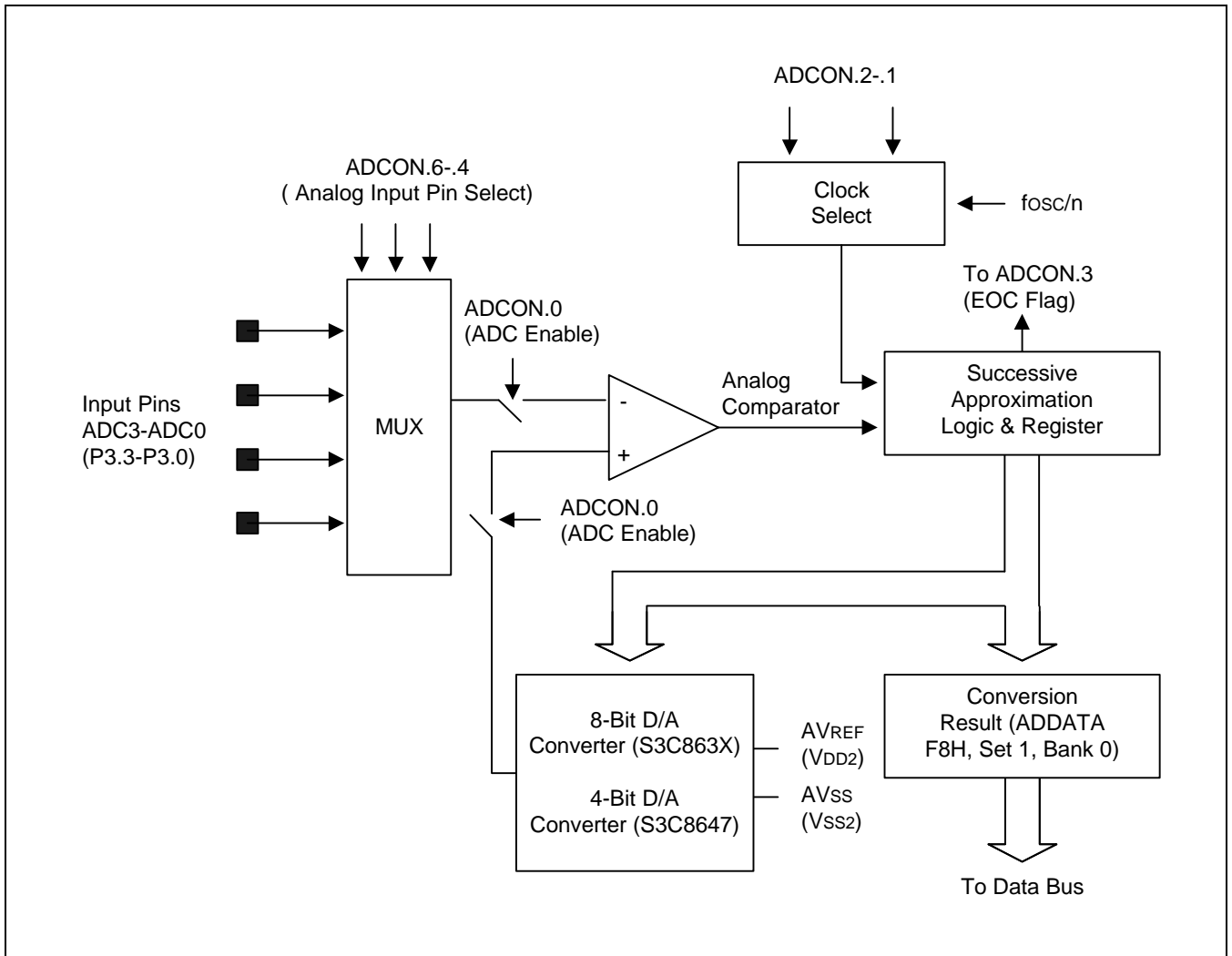


Figure 14-2. A/D Converter Functional Block Diagram

A/D Converter Data Register (ADDATA)

Bit 7	Bit 6	Bit 5	Bit 4	Bit 3 (note)	Bit 2 (note)	Bit 1 (note)	Bit 0 (note)
-------	-------	-------	-------	--------------	--------------	--------------	--------------

NOTE: Not mapped for the S3C8647.

Table 14-1. A/D Converter Electrical Characteristics (S3C863X)

(T_A = -40°C to +85°C, V_{DD} = 3.0 V to 5.5 V, V_{SS} = 0 V)

Parameter	Symbol	Conditions	Min	Typ	Max	Unit
Resolution			–	8	–	bit
Total accuracy		V _{DD} = 5 V Conversion time = 5μs	–	–	± 2	LSB
Integral linearity error	ILE	AV _{REF} = 5 V		–	± 1	
Differential linearity error	DLE	AV _{SS} = 0 V		–	± 1	
Offset error of top	EOT			± 1	± 2	
Offset error of bottom	EOB			± 0.5	± 2	
Conversion time ⁽¹⁾	t _{CON}	8-bit conversion 48 × n/f _{OSC} ⁽³⁾ , n = 1, 4, 8, 16	20	–	170	μs
Analog input voltage	V _{IAN}	–	AV _{SS}	–	AV _{REF}	V
Analog input impedance	R _{AN}	–	2	1000	–	MΩ
Analog reference voltage	AV _{REF}	–	2.5	–	V _{DD}	V
Analog ground	AV _{SS}	–	V _{SS}	–	V _{SS} + 0.3	V
Analog input current	I _{ADIN}	AV _{REF} = V _{DD} = 5V	–	–	10	μA
Analog block Current ⁽²⁾	I _{ADC}	AV _{REF} = V _{DD} = 5V	–	1	3	mA
		AV _{REF} = V _{DD} = 3V		0.5	1.5	mA
		AV _{REF} = V _{DD} = 5V When power down mode		100	500	nA

NOTES:

- "Conversion time" is the time required from the moment a conversion operation starts until it ends.
- I_{ADC} is an operating current during the A/D conversion.
- f_{OSC} is the main oscillator clock.

Table 14-2. A/D Converter Electrical Characteristics (S3C8647)

(T_A = -40°C to +85°C, V_{DD} = 4.0 V to 5.5 V, V_{SS} = 0 V)

Parameter	Symbol	Conditions	Min	Typ	Max	Unit
Resolution	–		–	4	–	bit
Absolute accuracy ⁽¹⁾	–	4 bit conversion 24 x n/f _{OSC} ⁽³⁾ , n = 1, 4, 8, 16	–	–	± 0.5	LSB
Conversion time ⁽²⁾	t _{CON}		3	–	–	us
Analog input voltage	V _{IAN}	–	V _{SS}	–	V _{DD}	V
Analog input impedance	R _{AN}	–	2	–	–	MΩ

NOTES:

1. Excluding quantization error, absolute accuracy values are within ± 0.5 LSB.
2. "Conversion time" is the time required from the moment a conversion operation starts until it ends.
3. f_{OSC} is the main oscillator clock.

NOTES

15

PULSE WIDTH MODULATION

PWM MODULE

The S3C8639/C863A/C8647 microcontrollers include seven 8-bit PWM circuits, PWM0–PWM6. The S3C8647 microcontroller includes six 8-bit PWM circuits, PWM0–PWM5. The operation of all PWM circuits is controlled by a single control register, PWMCON.

The PWM counter, a 8-bit incrementing counter, is used by the 8-bit PWM circuits. To start the counter and enable the PWM circuits, set PWMCON.5 to "1". If the counter is stopped, it retains its current count value. When restarted, it resumes counting from the retained count value.

By modifying the prescaler value, you can divide the input clock by one (non-divided), two, three, or four. The prescaler output is the clock frequency of the PWM counter.

The PWM counter overflows when it reaches "3FH", and then continues counting from zero.

PWM CONTROL REGISTER (PWMCON)

The control register for the PWM module, PWMCON, is located in set 1, bank 1, at register address E7H. You use PWMCON bit settings to control the following functions in the 8-bit:

- PWM counter operation: stop/start (or resume counting)

A reset clears PWMCON to "00H", disabling all PWM functions.

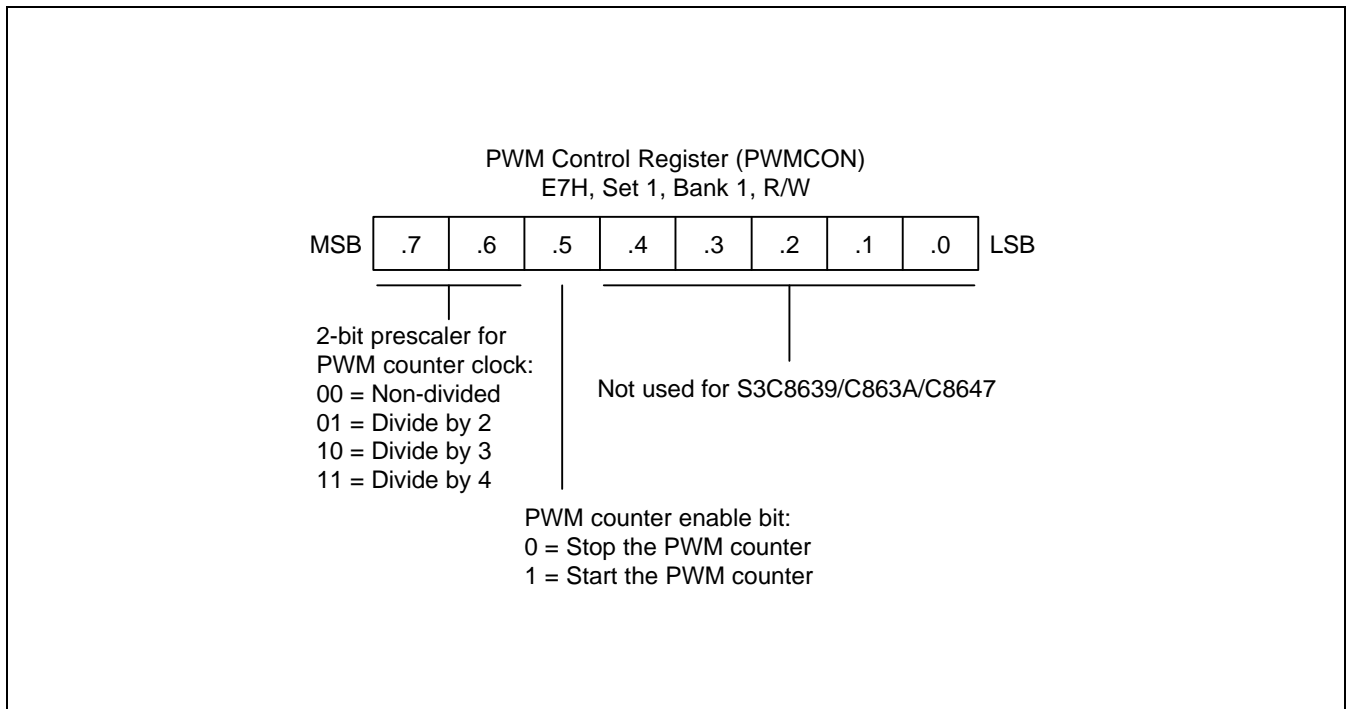


Figure 15-1. PWM Control Register (PWMCON)

PWM0–PWM6

The S3C8639/C863A/C8647 microcontrollers include seven 8-bit PWM circuits, PWM0–PWM6. The S3C8647 microcontroller include six 8-bit PWM circuits, PWM0–PWM5. Each 8-bit PWM data unit is comprised of an 8-bit basic frame. The 8-bit PWM circuits have the following components:

- 8-bit counter
- 8-bit comparators
- 8-bit PWM data registers (PWM0–PWM5, PWM6 ^(note))
- PWM output pins (PWM0–PWM5, PWM6 ^(note))

The PWM0–PWM6 circuits are controlled by the PWMCON register (set 1, bank 1, E7H).

NOTE: Not used for the S3C8647.

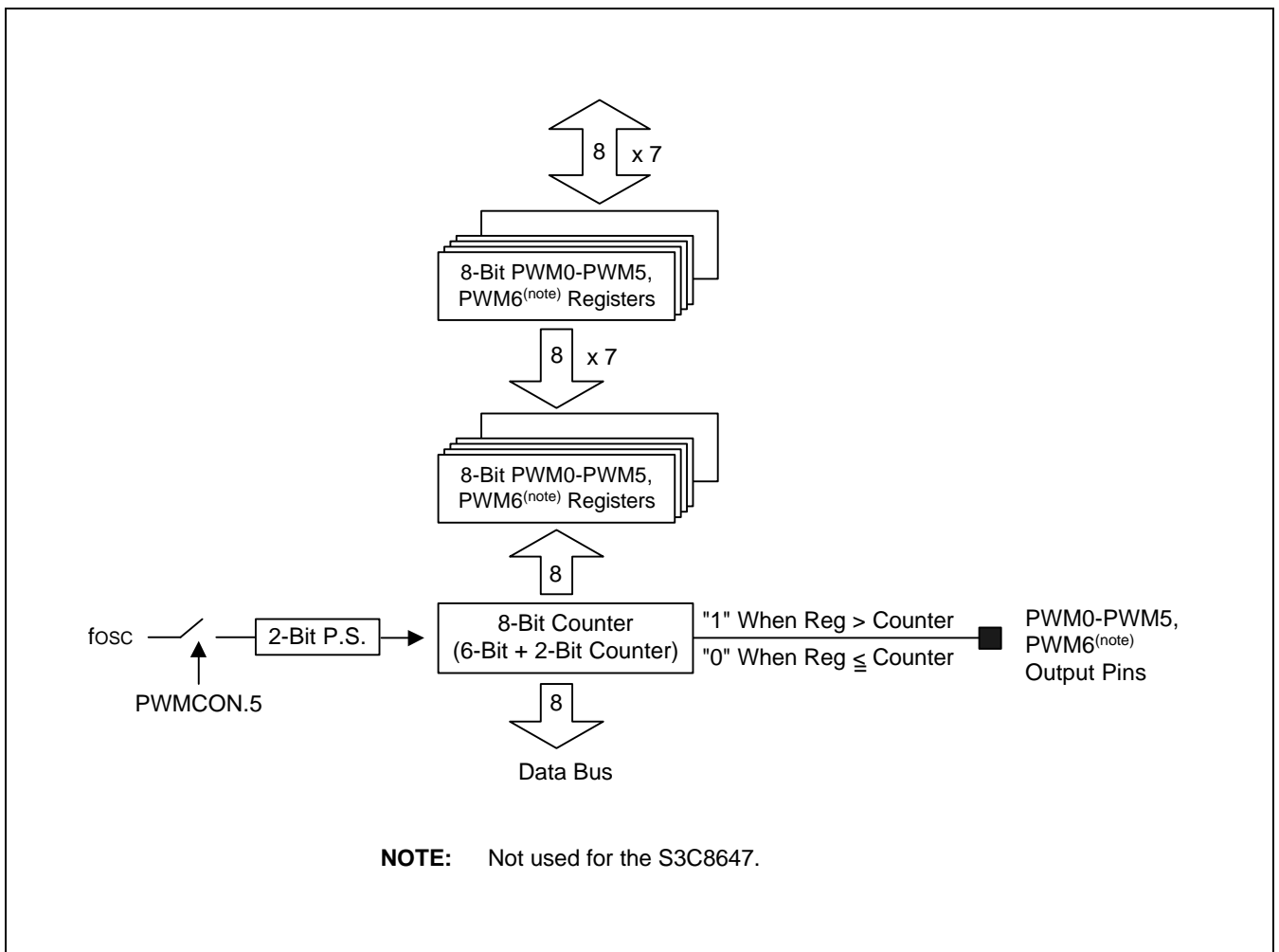


Figure 15-2. Block Diagram for PWM0–PWM6

PWM0–PWM6 FUNCTION DESCRIPTION

All the seven 8-bit PWM circuits have an identical function and each has its own 8-bit data register and 8-bit comparator. Each circuit compares a unique data register value to the 8-bit PWM counter.

The PWM0–PWM6 data registers are located in set 1, bank 1, at locations E0H–E6H, respectively. These data registers are read/write addressable. By loading specific values into the respective data registers, you can modulate the pulse width at the corresponding PWM output pins, PWM0–PWM6. (PWM0–PWM6 correspond to port 2 pins P2.0–P2.6.)

The level at the output pins toggles High and Low at a frequency equal to the counter clock, divided by 64 (2^6). The duty cycle of the 8-bit PWM pins ranges from 0% to 98.44% (63/64), based on the corresponding data register values.

To determine the output duty cycle of an 8-bit PWM circuit, its 8-bit comparator sends the output level High when the data register value is greater than the lower 8-bit count value. The output level is Low when the data register value is less than or equal to the lower 8-bit count value. The output level at the PWM0–PWM6 pins remains at Low level for the first 256 counter clocks. Then, each PWM waveform is repeated continuously, at the same frequency and duty cycle, until one of the following three events occurs:

- The counter is stopped
- The counter clock frequency is changed
- A new value is written to the PWM data register

STAGGERED PWM OUTPUTS

The PWM0–PWM6 outputs are staggered to reduce the overall noise level on the pulse width modulation circuits. If you load the same value to the PWM0–PWM6 data registers, a match condition (data register value is equal to the 8-bit count value) will occur on the same clock cycle for all the seven 8-bit PWM circuits.

For example, the PWM0 output is delayed by one-half of a counter clock, PWM1 output by one-half of a counter clock, PWM2 output by one-half of a counter clock, and so on for the subsequent clock cycles (see Figure 15-4).

NOTE: The S3C8647 microcontroller includes just six 8-bit PWM circuits, PWM0–PWM5.

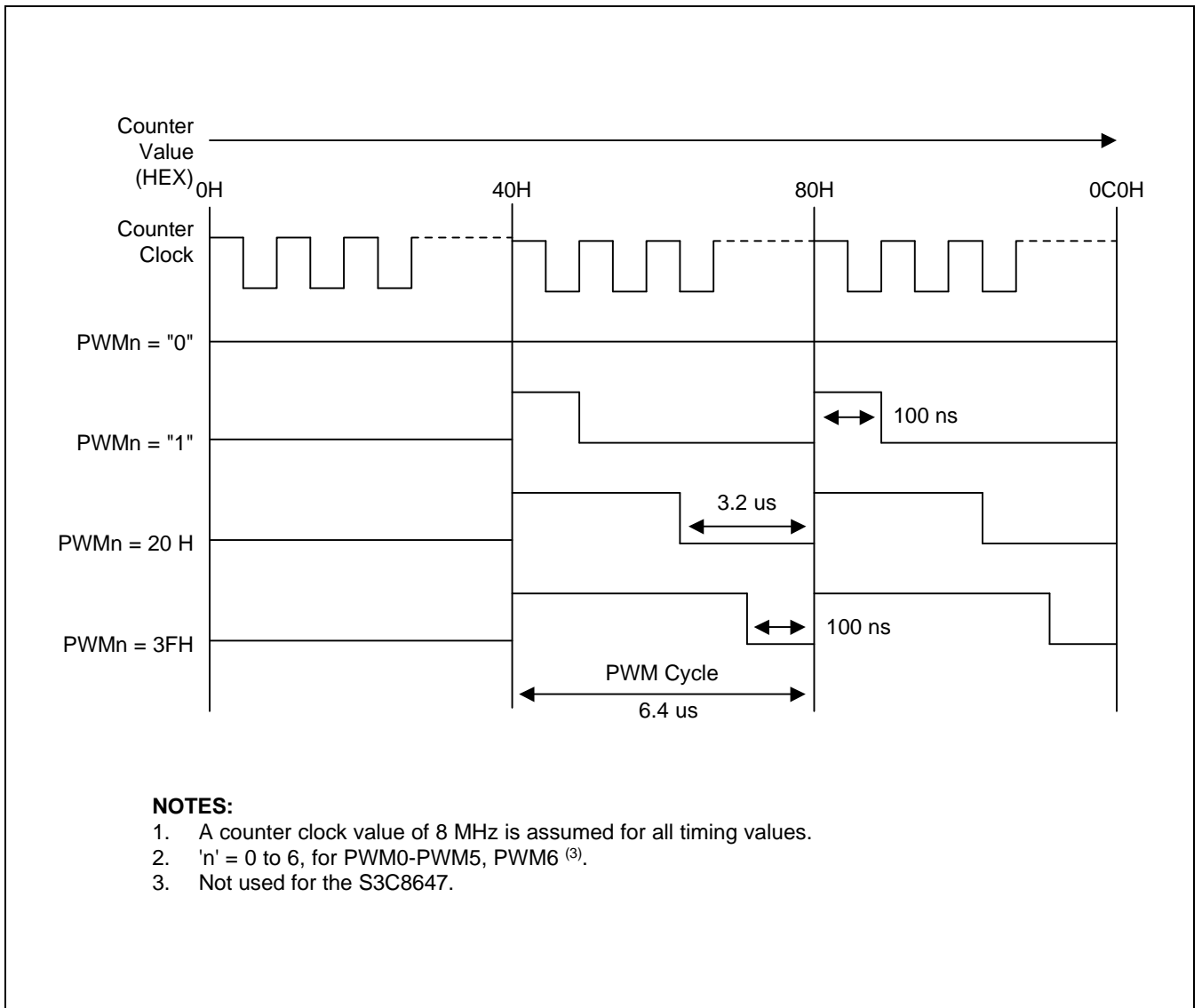


Figure 15-3. PWM Waveforms for PWM0–PWM6

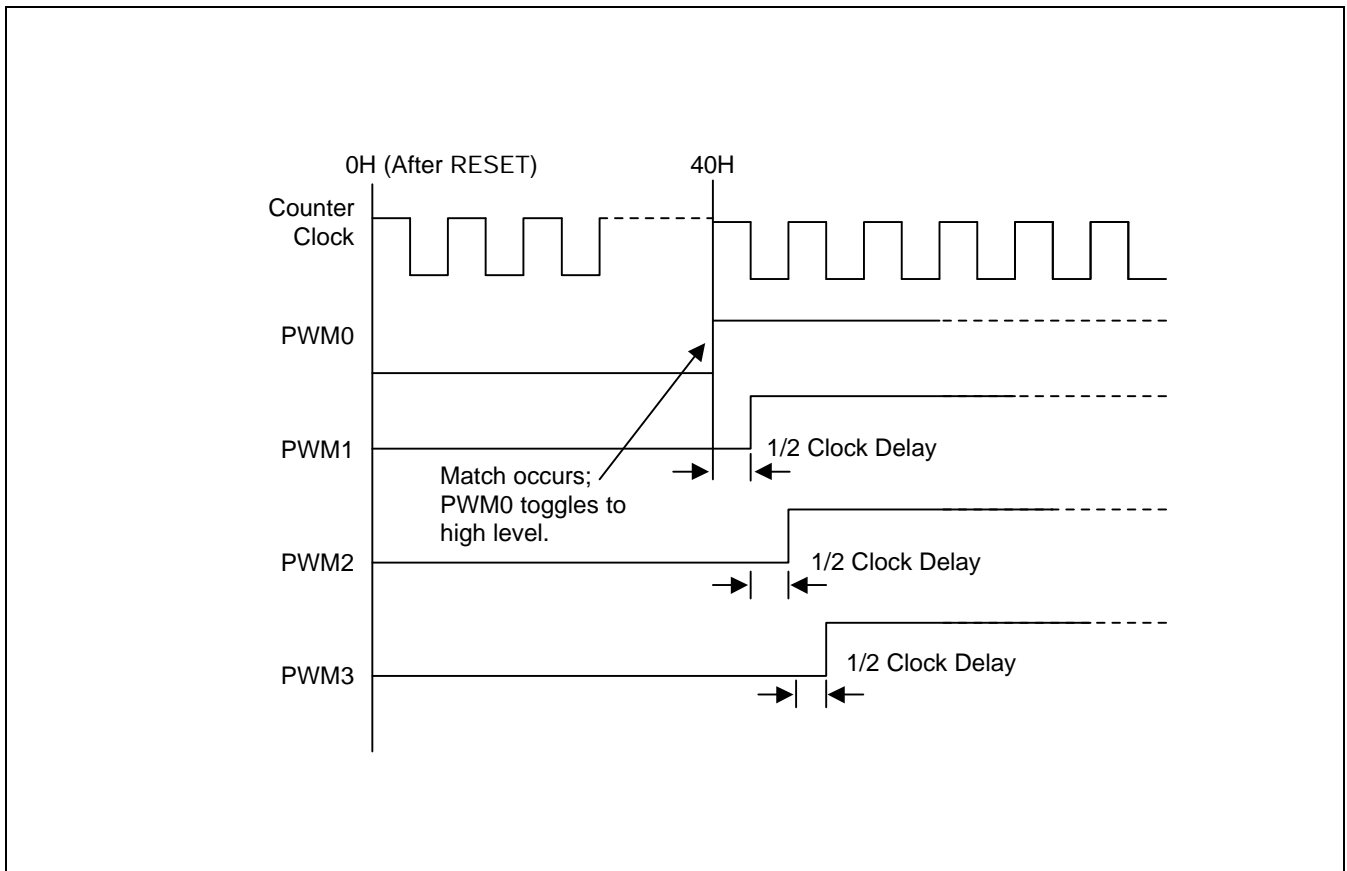


Figure 15-4. PWM Clock to PWM0–PWM6 Output Delays

PWM COUNTER

The PWM counter is an 8-bit incrementing counter. The same 8-bit counter is used by all PWM circuits. To determine the PWM module's base operating frequency, the counter is compared to the PWM data register value.

PWM DATA REGISTERS

A reset operation disables all PWM output. The current counter value is retained when the counter stops. When the counter starts, counting resumes from the retained value.

PWM CLOCK RATE

The timing of the 8-bit output channel is based on the maximum 12 MHz CPU clock frequency. The 2-bit prescaler value in the PWMCON register determines the frequency of the counter clock. You can set PWMCON.6 and PWMCON.7 to divide the CPU clock frequency by one (non-divided), two, three, or four.

As the maximum CPU clock rate for the S3C8639/C863A/C8647 microcontrollers is 12 MHz, the maximum base PWM frequency is 187.5 kHz (12 MHz divided by 64). This assumes a non-divided CPU clock.

 **PROGRAMMING TIP — Programming PWM0 to Sample Specifications**

This sample program executes a test of the PWM block. The program parameters are as follows:

- The oscillation frequency of the main crystal is 8 MHz
- PWM frequency is 125 kHz

```

RESET:    DI                ; Disable global interrupts
          SB0                ; Select bank 0
          .
          .
          .
          LD    P2CONH,#11111111B ; Select n-channel open-drain PWM output
          LD    P2CONL,#11111111B ; Select push-pull PWM output
          SB1                ; Select bank 1
          OR    PWMCON,#00100000B ; PWMCON.5 ← 1; start the counter
          ; PWM counter clock is fOSC
          SB0                ; Select bank 0
          EI                ; Enable global interrupts
          .
          .
          .
PWMstart: SB1                ; Select bank 1
          LD    PWM0, #80H    ; Load PWM0 data
          SB0                ; Select bank 0
          RET

```

16

SYNC PROCESSOR

OVERVIEW

The S3C8639/C863A/C8647 multi-sync signal processor (sync processor) is designed to process horizontal (Hsync) and vertical (Vsync) signals that are input to a multi-sync monitor. The sync processor can perform the following functions:

- Detect sync input signals (Vsync-I, Hsync-I, and Csync-I, also called Screen-On-Green, or SOG)
- Output a programmable pseudo sync generation signal
- Detect the polarity of sync input signals
- Separate and output sync signals (Hsync-O, Vsync-O, and Clamp-O)

The sync processor circuits are controlled by three control registers: SYNCON0, SYNCON1, and SYNCON2.

Vsync SEPARATION

SYNCON0 register setting controls the output path of the sync processor's 5-bit counter. Using the 5-bit counter, the sync processor can separate the Vsync signal from composite (H+V) sync signal.

The counter value increments when a High level sync signal is detected and decrements when a Low level signal is detected. No overflow or underflow can occur. That is, the 5-bit counter increments until it reaches the maximum value of 11111B and then stops or decrements until it reaches the minimum value of 00000B. You can select $f_{OSC}/2$ or $f_{OSC}/3$ as the counter's clock input source.

When SYNCON0.5 is "1", a High signal level is output to a multiplexer whenever the counter value reaches 11111B and a Low level is output when the counter value reaches 00000B. The signal level remains constant when the counter value is less than 11111B or greater than 00000B.

CLAMP SIGNAL OUTPUT

SYNCON1 register settings control Clamp signal output and pulse width. Clamp output can be completely inhibited, or it can be generated at two, four, or eight times f_{OSC} . You can specify the signal edge on which the selected Clamp pulse width is to be output ("front porch" or "back porch"). When SYNCON1.7–.6 is set to "00", the clamp signal output is inhibited. In this case the clamp signal level (Clamp-O) can be either "low" (when SYNCON1.4 is set to "1") or "high" (when SYNCON1.4 is "0").

Logic for Detecting Sync-On-Green (SOG)

Special logic in the sync processor block can compare Hsync and Csync input signals to detect Sync-On-Green (SOG). The interrupt SOG through Csync-I port is detected automatically at the SOG detection block. You can confirm to SOG by means of reading SYNCON2.2 (SOG detection bit).

Pseudo Sync Generator

SYNCON2 settings (SYNCON2.4 = "0") control the pseudo Hsync and Vsync generation registers value (See figure 16.1 and 16.2). The polarity of these frequencies is always positive, with pulse width of 2us (eight fsync clock, when fsync is 4 MHz) and 6 x PHGEN periods, respectively. The pseudo sync generator supports factory testing of the sync processor block and also protects a system against the effect of unexpected signals in transition period while mode changing.

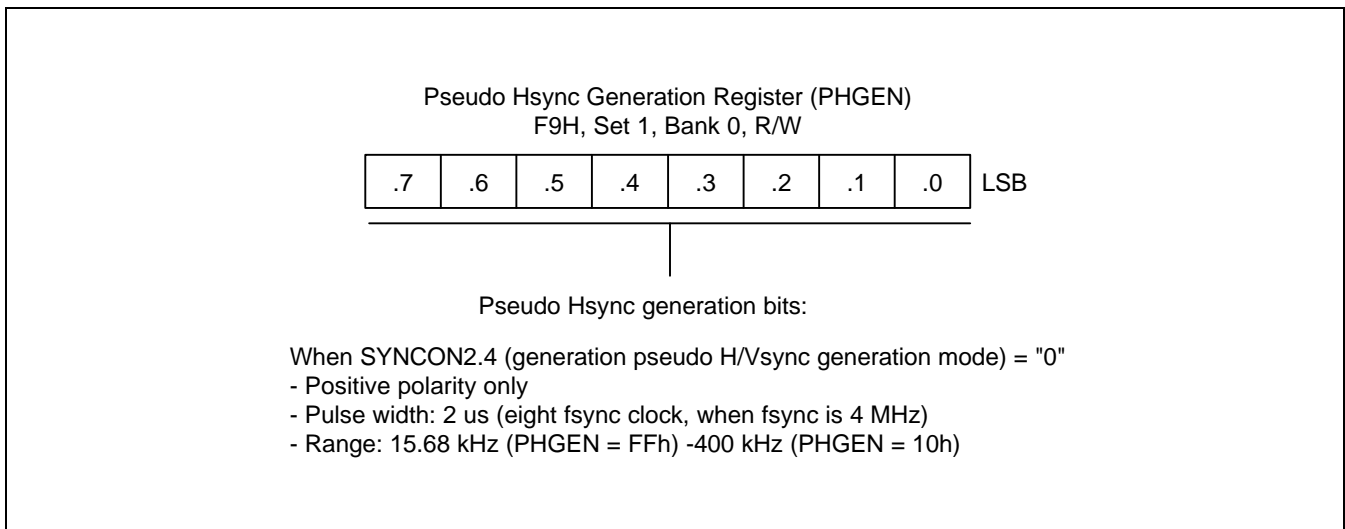


Figure 16-1. Pseudo Hsync Generation Register (PHGEN)

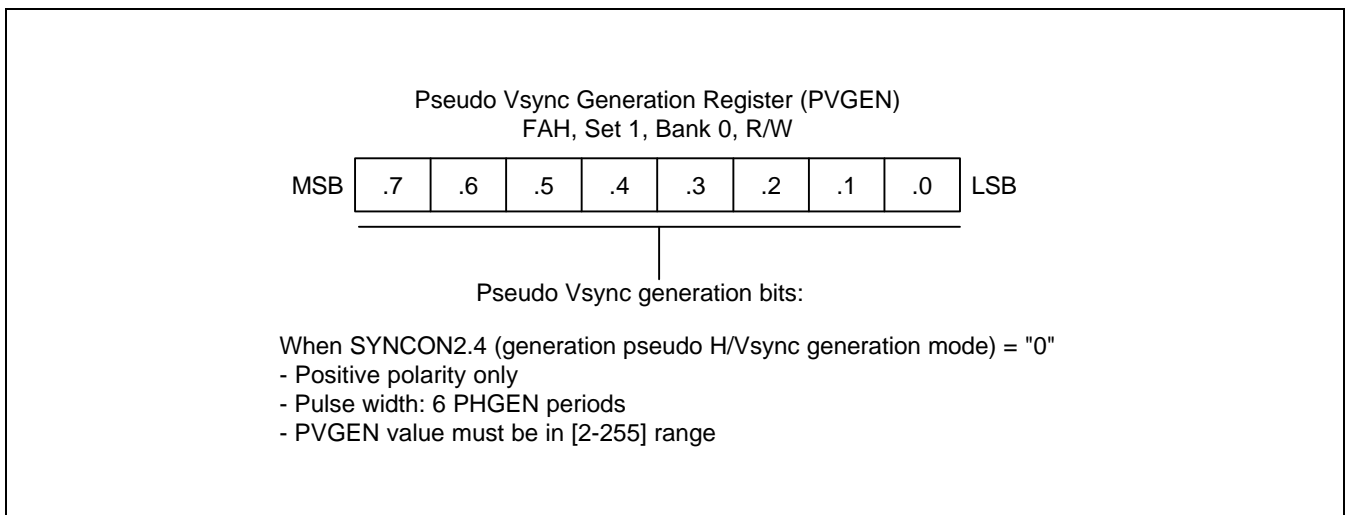


Figure 16-2. Pseudo Vsync Generation Register (PVGEN)

Hsync & Vsync Polarity Detection, Unmixed Hsync Detection and Hsync Blanking

The polarity of Hsync & Vsync signal input to Hsync-I & Vsync-I pin is automatically detected. If the Hsync polarity is negative, SYNCON1.0 equals to "0". If the Hsync polarity is positive, SYNCON1.0 equals to "1". This polarity detection bit (SYNCON1.0) may be not accurate when the sync level is not in a transitional condition.

And if the Vsync polarity is negative, SYNCON1.1 equals to "1". This polarity detection bit (SYNCON1.1) may be not accurate when the sync level is not in a transitional condition.

In composite sync mode, if SYNCON2.7 is set to "1", the current period of checked Hsync is stable, unmixed with Vsync signal. If SYNCON2.7 is "0", the current period of checked Hsync is mixed with Vsync signal, in which case it is recommended not to calculate the sync frequency. In this mode, the Hsync signal is automatically blanked during the Vsync signal extraction period.

Table 16-1. VESA Monitor Timing Standards & PHGEN/PVGEN Value

Standard Hsync Freq. [kHz]	Standard Vsync Freq. [Hz]	Resolution	Line Num. [Hf/Vf]	Pseudo Hf/(PHGEN) [kHz]	Pseudo Vf/(PVGEN) [Hz]	
31.469	59.940	640 × 480	525	31.49 (127)	59.65 (66)	
37.861	72.807		520	38.09 (105)	73.26 (65)	
37.500	75.000		500	37.73 (106)	74.87 (63)	
35.156	56.250	800 × 600	625	35.08 (114)	56.23 (78)	
37.879	60.317		628	38.09 (105)	60.27 (79)	
48.077	72.188		666	48.19 (83)	72.57 (83)	Reset Value
46.875	75.000		625	47.06 (85)	75.41 (78)	
35.522	43.479	1024 × 768	817	35.71 (112)	43.76 (102)	
48.363	60.004		806	48.19 (83)	59.64 (101)	
56.476	70.069		806	56.33 (71)	69.72 (101)	
60.023	75.029		800	59.70 (67)	74.62 (100)	
63.995	70.016	1152 × 864	914	63.49 (63)	70.23 (113)	
77.487	85.057		911	76.92 (52)	85.09 (113)	
75.000	75.000	1280 × 960	1000	75.47 (53)	75.47 (125)	
63.974	60.013	1280 × 1024	1066	63.49 (63)	60.12 (132)	
79.976	75.025		1066	80.00 (50)	75.18 (133)	
75.000	60.000	1600 × 1200	1250	75.47 (53)	60.08 (157)	
107.043	85.022		1259	108.11 (37)	85.52 (158)	

NOTE: Pseudo Hsync frequency = fsync/PHGEN value

Pseudo Vsync frequency = Pseudo Hsync frequency/(8 × PVGEN value)

SYNC PROCESSOR CONTROL REGISTER 0 (SYNCON0)

The sync processor control register 0, SYNCON0, is located in set 1, bank 0, at address EDH. It is read/write addressable. SYNCON0 bits 4–0 hold the 5-bit counter value which is used for compare function. Whenever a High signal level is detected, the count value is incremented by one until it reaches the maximum value of "11111B" (No overflow occurs). Whenever a Low signal level is detected, the count value is decremented by one until it reaches the minimum value of "00000B" (No underflow occurs).

NOTE

When the composite sync is inputted, compare mode is also called Vsync separation mode. In this mode, output to the multiplexer is enabled. When the counter value is "11111B", the output is High level; when the counter value is "00000B", the output is Low level. Whenever the counter value is less than (<) "11111B", or greater than (>) "00000B", the previous output level is retained.

SYNCON0 settings also control the following sync processor functions:

- Horizontal or composite sync input (Hsync-I or Csync-I) selection
- Automatically enable Hsync blanking or Hsync signal bypass
- Vsync port input or 5-bit counter compare mode
- Select the clock source for Vsync-O

See Figure 16-3 for a detailed description of SYNCON0 register settings.

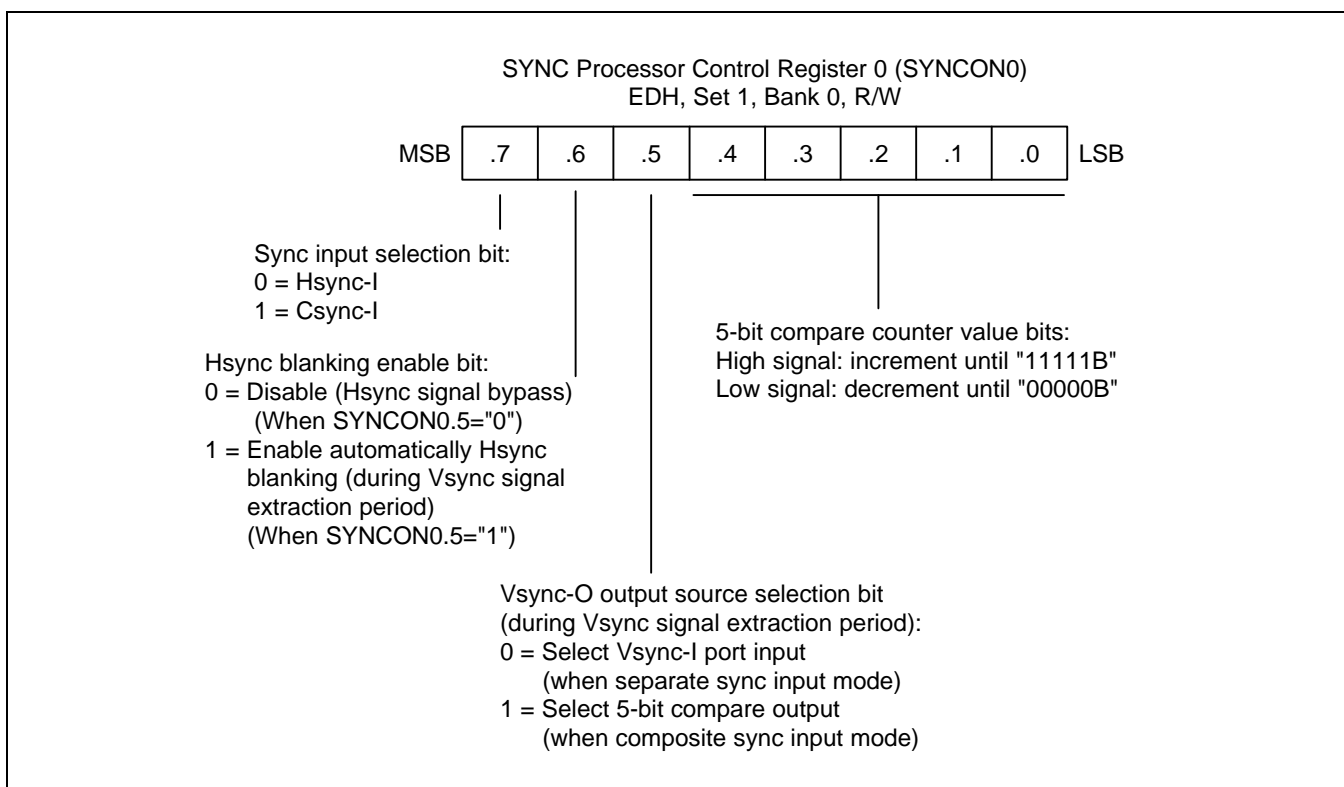


Figure 16-3. Sync Processor Control Register 0 (SYNCON0)

SYNC PROCESSOR CONTROL REGISTER 1 (SYNCON1)

The sync processor control register 1, SYNCON1, is located in set 1, bank 0, at address EEH. It is read/write addressable. Using SYNCON1 settings, you can:

- Generate a clock pulse for Clamp signal output
- Select “front porch” or “back porch” mode for Clamp-O
- Control Clamp-O, Vsync-O, and Hsync-O status
- Detect Hsync & Vsync polarity

See Figure 16-3 for a detailed description of SYNCON1 register settings.

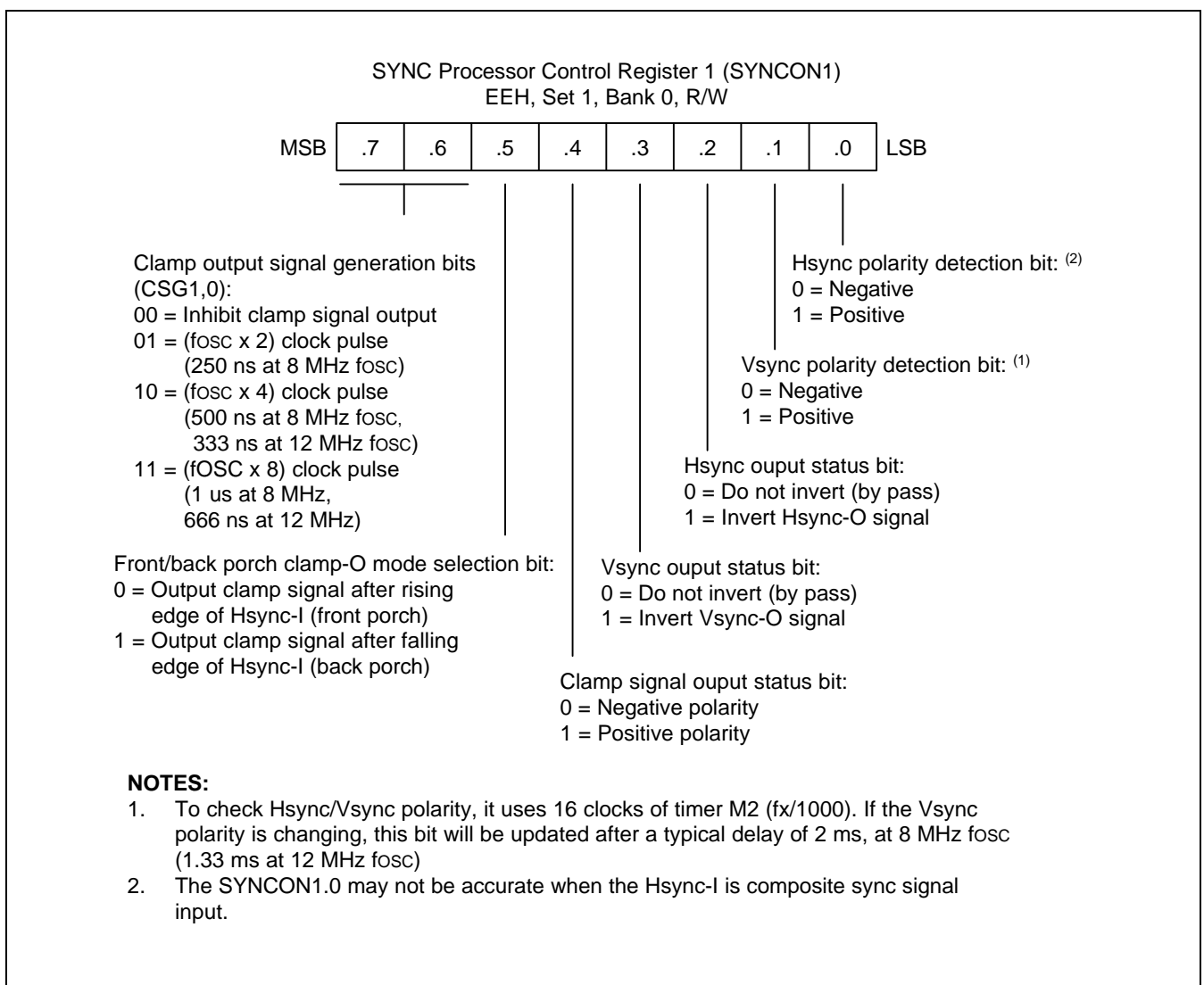


Figure 16-4. Sync Processor Control Register 1 (SYNCON1)

SYNC PROCESSOR CONTROL REGISTER 2 (SYNCON2)

The sync processor control register 2, SYNCON2, is located in set 1, bank 0, at address EFH. It is read/write addressable. Using SYNCON2 settings, you can:

- Detect mixed and unmixed Hsync period in composite sync
- Select the pseudo sync generation enable mode
- Select the clock source for the 5-bit counter
- Sync signal output disable or enable
- SOG signal detection
- 5-bit up/down counter latch status changing detection
- V_{DD} level selection for TTL sync input ports

See Figure 16-5 for a detailed description of SYNCON2 register settings.

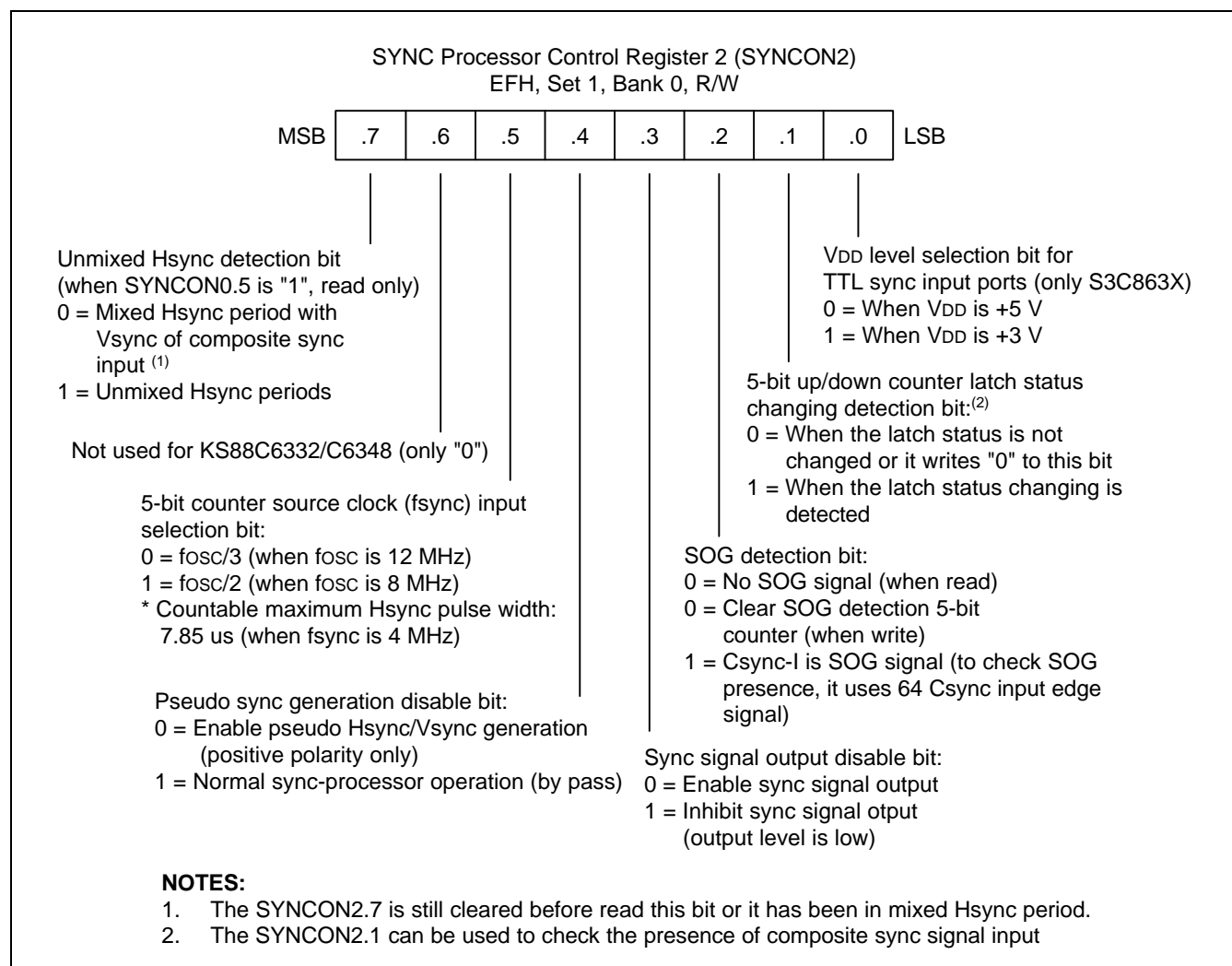


Figure 16-5. Sync Processor Control Register 2 (SYNCON2)

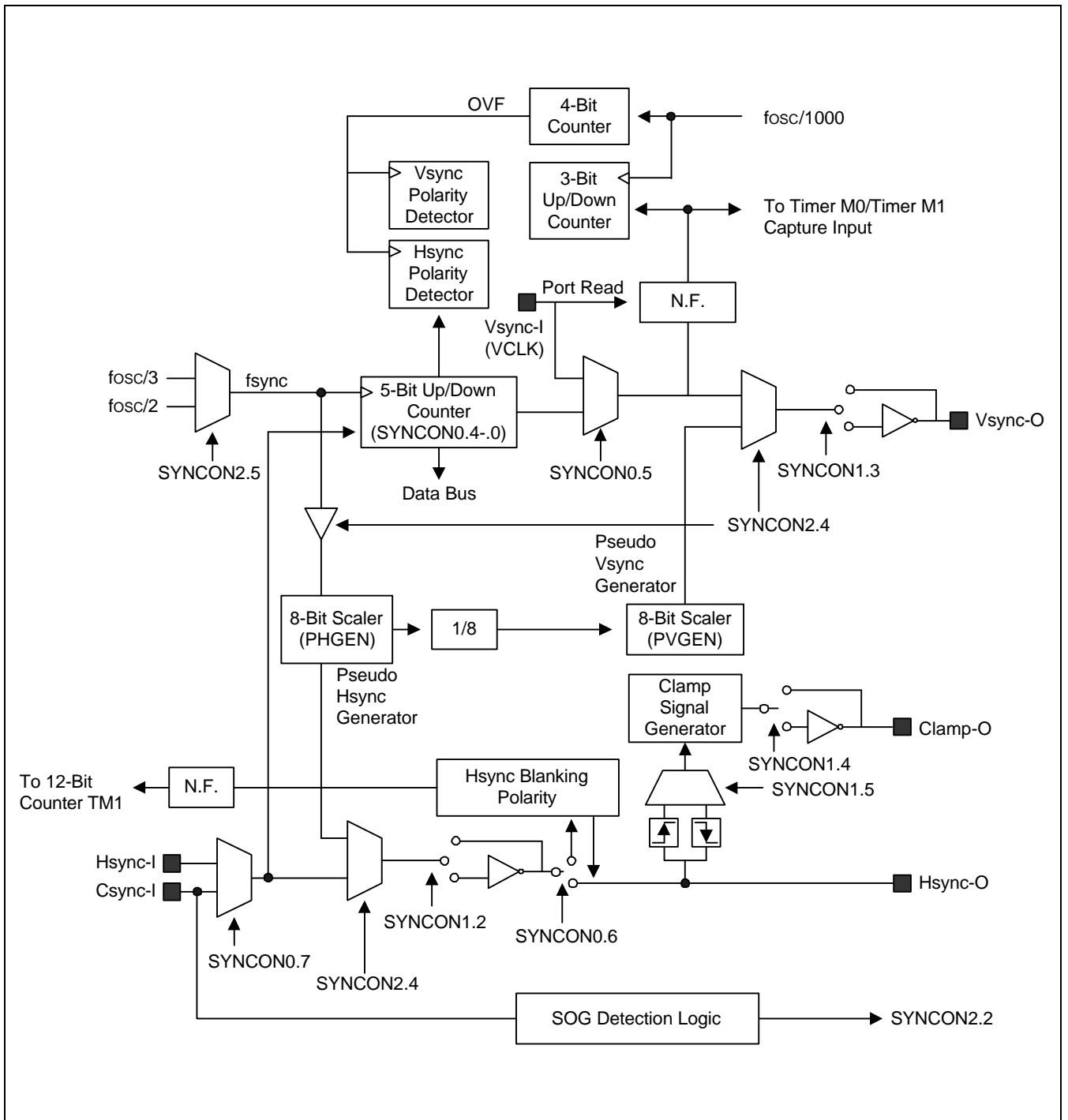


Figure 16-6. Sync Processor Block Diagram

DETECTING SYNC SIGNAL INPUT

You can detect the presence of a sync signal in two ways — directly or indirectly. The direct detection method can be implemented in read port. The indirect detection method is interrupt-driven and uses the S3C8639/C863A/C8647 sync processor hardware. These methods are explained in detail below.

Direct Detection Method

By reading the input status directly on the sync input pins Vsync-I, Hsync-I, Csync-I, you can detect the presence of the incoming sync for a corresponding output.

To enable direct sync input detection, you set SYNCON0.5 to “0” (for Vsync-I), SYNCON0.7 to “0” (for Hsync-I), and SYNCON0.7 to “1” (for Csync-I).

You then read the state of the input pin(s) over a period of time to detect transitions in the signal level(s). If a transition is detected, it can be assumed that a sync signal is present.

Indirect Detection Method

To indirectly detect vertical sync input at the Vsync-I pin, you use register settings to assign either the timer M0 capture interrupt to this pin.

For indirect detection of horizontal or composite input at the Hsync-I or Csync-I pin, you use the timer 1 input clock source to generate a timer M1 capture/overflow interrupt by capture signal from timer M2 interval or Vsync-O from sync-processor, when a signal level transition occurs. Or to detect composite sync, you can confirm to presence with checking SYNCON2.1. (This bit is used to check the presence of composite sync signal input.)

When the correct settings have been made, the application software polls for the respective interrupts to determine the presence of sync input signals, as follows:

- Indirect Vsync input detection
 - Check for the occurrence of a timer M0 capture interrupt (IRQ0).
- Indirect Hsync input detection
 - Check for the occurrence of a timer M1 capture/overflow interrupt (IRQ2).
- Indirect Csync input detection (SOG)
 - Check for the occurrence of a timer M1 capture/overflow interrupt (IRQ2).

AUTO-DETECTING SYNC SIGNAL POLARITY

The S3C8639/C863A/C8647 sync processor lets you detect automatically the polarity of Vsync or Hsync signals by hardware. To check H/Vsync polarity, it uses 16 clocks of timer M2 ($f_{OSC}/1000$).

You can detect the polarity of Hsync signal inputted to Hsync-I port through checking SYNCON1.0 by the 5-bit counter of sync processor. If SYNCON1.0 is "1", the polarity of the inputting Hsync signal is positive. When SYNCON1.0 is "0", the polarity of Hsync signal is negative. But when the inputted sync signal to Hsync-I is composite sync signal (H+Vsync signal), the status of SYNCON1.0 may not be accurate.

To detect the polarity of Vsync signal, it uses SYNCON1.1. If SYNCON1.1 is "1", the polarity of Vsync signal is positive. When the polarity of Vsync signal is negative, SYNCON1.1 is "0". If Vsync polarity is changing, SYNCON1.1 will be updated after a typical delay of 2ms, at 8 MHz f_{OSC} (1.33ms at 12 MHz f_{OSC}).

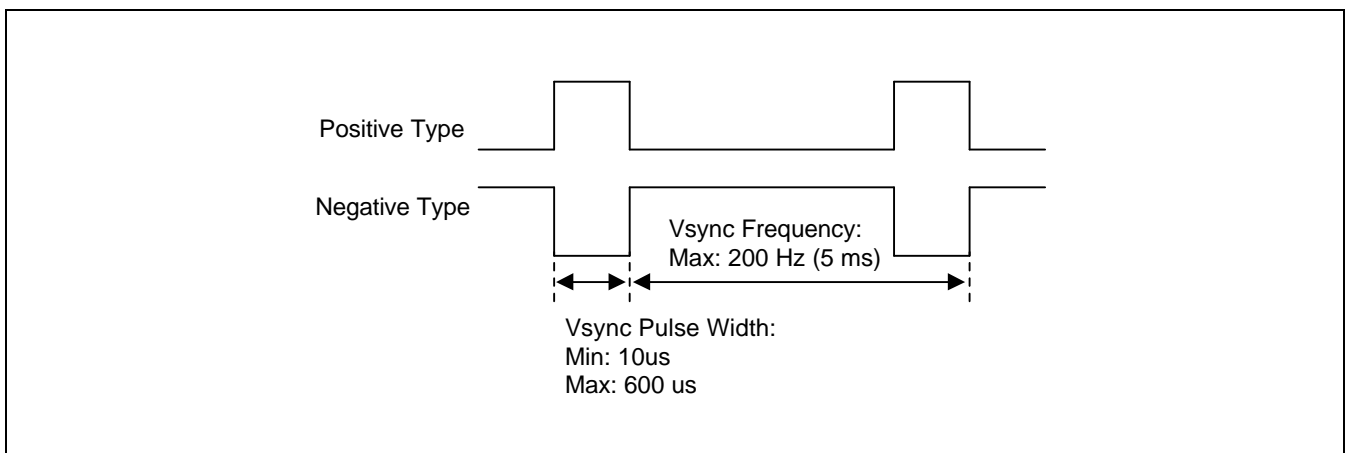


Figure 16-7. Vsync Input Timing Diagram

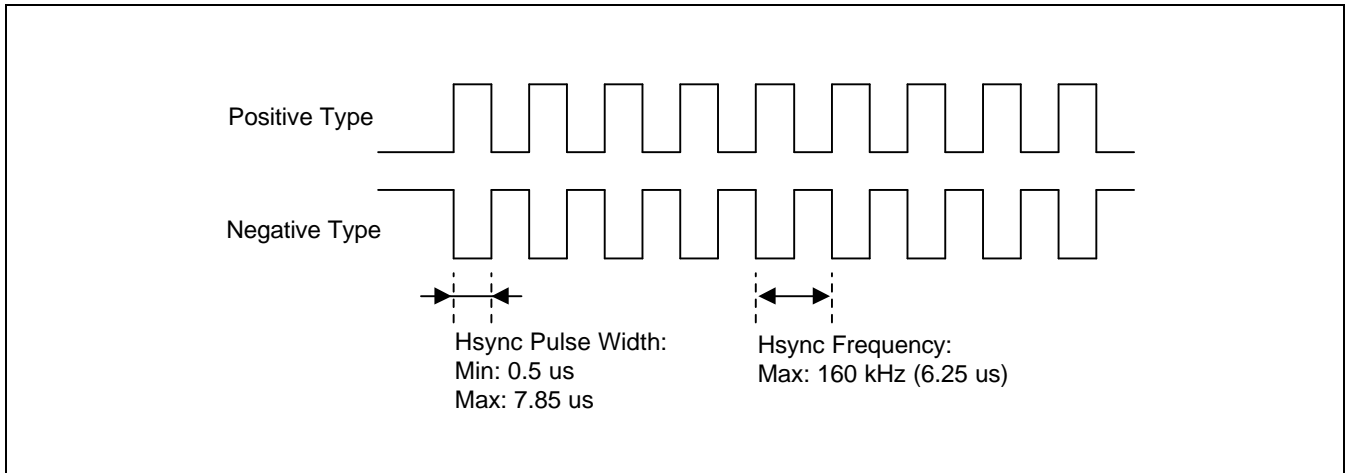


Figure 16-8. Hsync Input Timing Diagram

EXTRACTING VSYNC OUTPUT

When the Vsync input at Hsync-I or Csync-I (P2.7) also contains Hsync signals, you must extract the Vsync component from the Hsync (or Csync) input. To do this, you use the 5-bit up/down counter.

To extract the Vsync component of the input signal, you first set the 5-bit up/down counter to operate in compare mode (SYNCON0.5 = "1"). Vsync output is enabled only when the minimum or maximum threshold value is reached.

During vertical blanking, the counter decreases until it reaches a minimum value while the Hsync-I or Csync-I signal level is negative. Or, the counter value increases until it reaches a maximum value while the Hsync-I or Csync-I signal level is positive (no overflow or borrow occurs).

The timer M1 capture interrupt (IRQ2) can be enabled to verify that the Vsync signal has been extracted successfully from the mixed input signal.

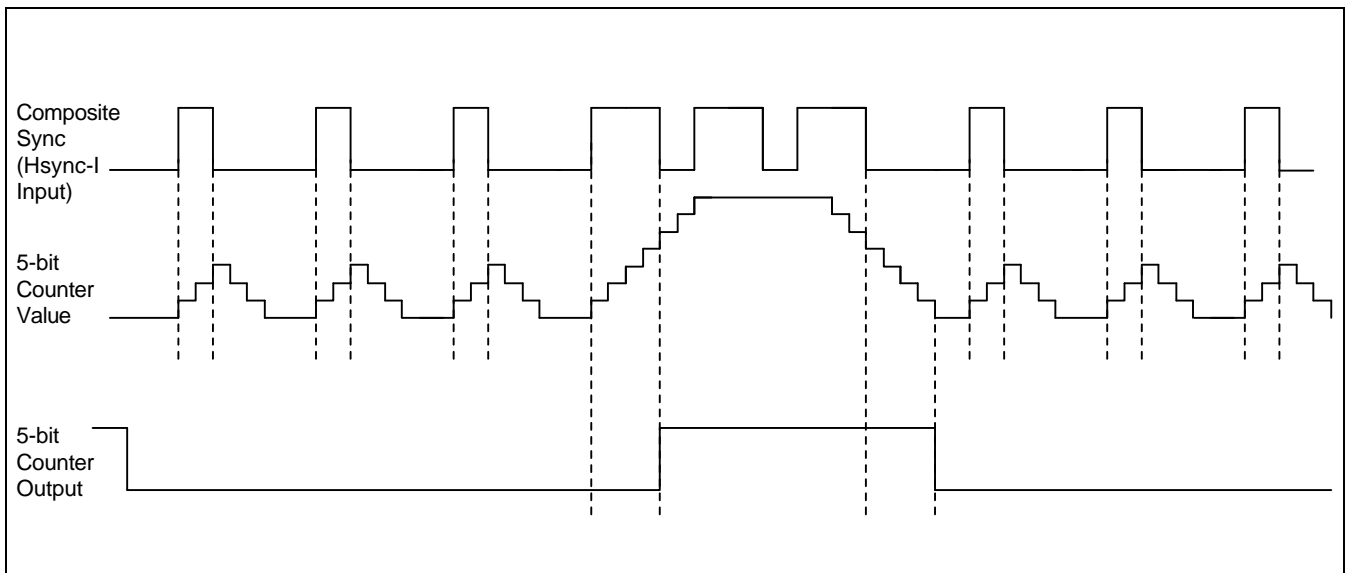


Figure 16-9. Vsync Extraction Using an Up/Down Counter

CLAMP SIGNAL OUTPUT

Clamp signal output (Clamp-O) must be synchronized with Hsync output. The Clamp-O signal can be transmitted to a vertically or horizontally driven integrated circuit to provide a pedestal level for image signals with programmable pulse width.

The Clamp signal is output on the "front porch" of an Hsync signal (NO SOG condition) or on the "back porch" of an Csync signal (SOG condition). You can control the polarity of clamp output signal with using SYNCON1.4. If you want to the negative pulse of clamp signal, you must set SYNCON1.4 to "0". If you set SYNCON1.4 to "1", the polarity of clamp output signal is positive.

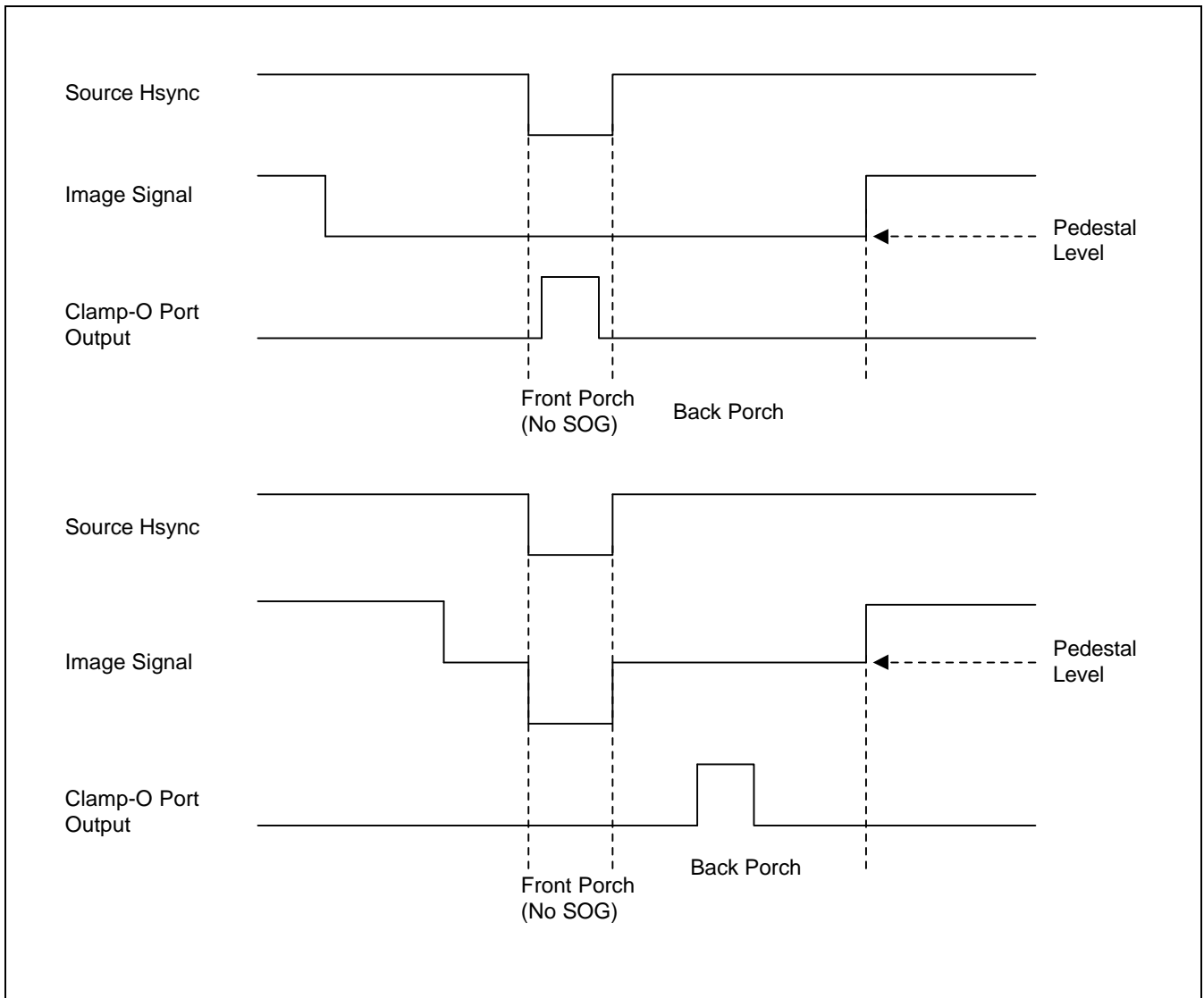


Figure 16-10. Clamp-O Signal (SOG and NO SOG Condition)

DIFFERENTIATING SOG FROM NO SOG

The pulse width at the Csync-I pin is different in SOG and NO SOG conditions. In a SOG condition, the pulse width at Csync-I and Hsync-I is identical. If a NO SOG condition exists, Csync-I has a wider pulse width than Hsync-I because the Csync-I pulse is truncated at the base of the pedestal level (see Figure 16-10).

To differentiate the Csync pulse, you must delay the Csync-I pulse for about 150 ns and then compare its phase with that of the Hsync-I pin signal.

To indicate a SOG condition, comparator logic for Hsync and Csync sets the SYNCON2.2 flag to "1" whenever Csync status differs from Hsync status more than 32 times at the rising edge of Hsync-I. To perform the comparison, first detect the polarity of the Hsync-I signal. Then configure the pin for positive output. (Csync-I is always positive and requires no special settings.) To recognize the SOG condition, you can poll the SYNCON2.2 status flag to detect when it is set to "1".

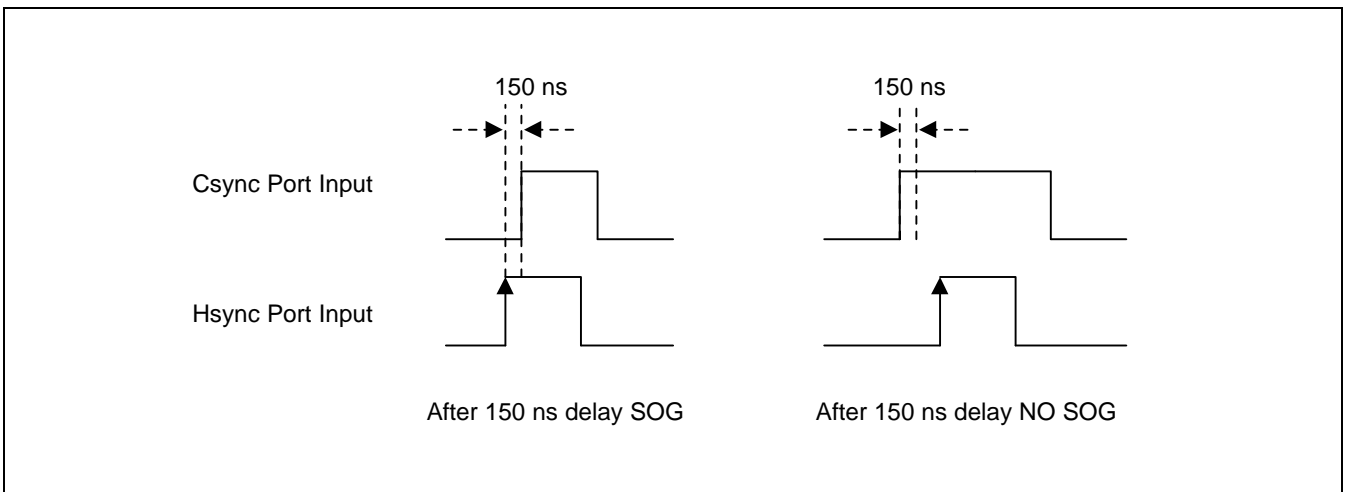


Figure 16-11. Sync Input at the Hsync-I and Csync-I Pins

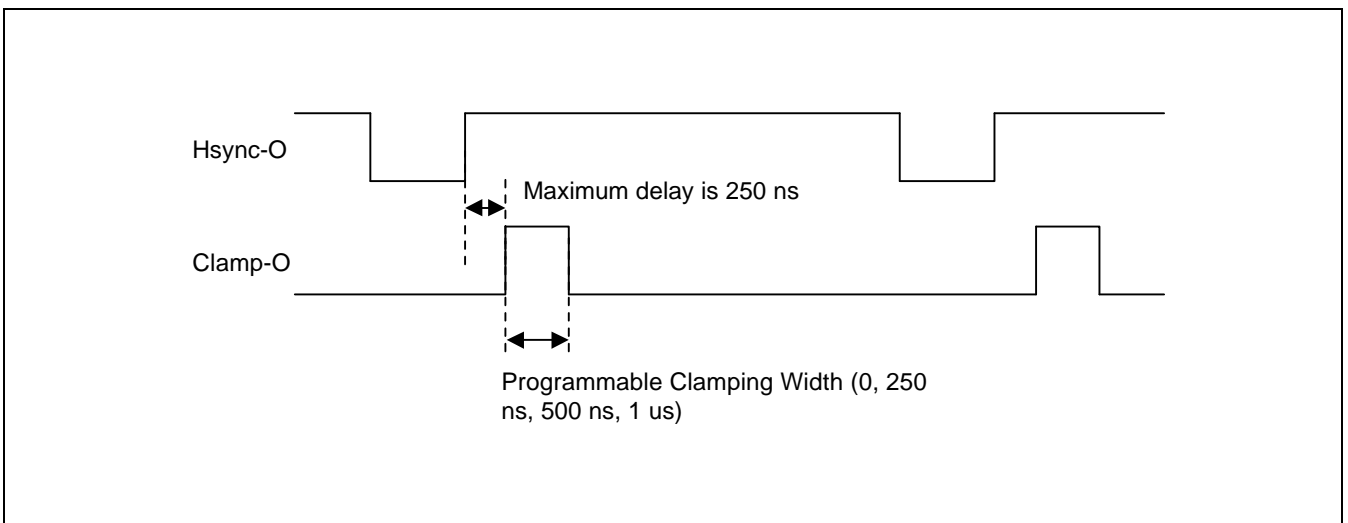


Figure 16-12. Clamp-O Signal Delay Timing

 **PROGRAMMING TIP — Programming the Sync Processor**

This example shows how to program the sync processor to sample specifications. The sample program performs the following actions:

- Confirm the presence of sync signal input
- Detect the polarity of Hsync or Vsync signal input

```

;*****
;/** Title : Definition Flag Ram for user (00h - 0Fh) *
;/** *
;/** *
;*****
;
;
DeGausport      equ    3           ;P0.3=Degauss control pin(Active High)
Suspdport      equ    4           ;P0.4=Suspend control pin(High)
Offport        equ    5           ;P0.5=Off control pin(Low)
Muteport       equ    7           ;P0.7=Video mute control pin(Low)
;
SelfRastport   equ    0           ;P1.0=Self-Raster input pin
S1             equ    1           ;P1.1=S-correction 1
S2            equ    2           ;P1.2=S-correction 1
;
;X-Ray         equ    0           ;Not used
;Rotation      equ    1           ;P2.1=Pwm1 Out (Rotation)
;H-Size        equ    2           ;P2.2=Pwm2 Out (H-Size)
;Contrast      equ    3           ;Not used
;Brightness    equ    4           ;Not used
;ACL           equ    5           ;P2.5=Pwm5 Out (ACL)
Hsize_Min      equ    6           ;Not used
ModelSelport   equ    7           ;P2.7=Model Sel.input pin(14":L/15":H)
;
Pwrkeyport     equ    0           ;P3.0=S/W power key input pin
Ledport        equ    5           ;P3.5=LED control
SCL            equ    6           ;P3.6=SCL(S/W IIC.bus)
SDA            equ    7           ;P3.7=SDA
;
;Fixed port.
;H_Input       equ    1           ;H-Sync. Input
;V_Input       equ    2           ;V-Sync. Input
;Clamp         equ    3           ;Clamp Output
;H_Out         equ    4           ;H-Sync. Output
;V_Out         equ    5           ;V-Sync. Output
;DDC_Clock    equ    6           ;DDC Clock
;DDC_Data      equ    7           ;DDC Data
;
HsyncIport     equ    0           ;SYNCRD.0=HsyncI pin
VsyncIport     equ    1           ;SYNCRD.1=VsyncI pin
VsyncOport     equ    3           ;SYNCRD.3=VsyncO pin
;
;
;

```

```

// Define flags
;
;
;
SyncP_FGR0      EQU    00h      ;SYNC-PROCESSOR
HSyncFin_FG     equ    7        ;Hsync signal counting every 10ms
VSyncFin_FG     equ    6        ;Vsync signal find flag(Vsync capture interrupt)
VstblFreq_FG    equ    5        ;Stable Vsync frequency input status
HstblFreq_FG    equ    4        ;Stable Hsync frequency input status
NormSync_FG     equ    3        ;Normal sync output mode(No pseudo sync signal)
SetSepSync_FG   equ    2        ;Indicate separate sync mode
MixedSync_FG    equ    1        ;Mixed sync input period(composite sync input mode)
DdcHighSpd_FG   equ    0        ;DDC1 high speed mode(over 400Hz)
;
;
SyncP_FGR1      EQU    01h      ;
HPolarity_FG    equ    7        ;Hsync polarity => 1=positive, 0=negative
VPolarity_FG    equ    6        ;Vsync polarity => 1=positive, 0=negative
HNosync_FG      equ    5        ;Hsync freq. < 10KHz
VNosync_FG      equ    4        ;Vsync freq. < 40Hz
NoSync_FG       equ    3        ;No Vsync & No Hsync signal
OverHsync_FG    equ    2        ;Hsync over range : over 62KHz
OverRange_FG    equ    1        ;Vsync over range : over 135Hz
;
;
Mute_FGR        EQU    02h      ;
Vmute_FG        equ    7        ;Being video mute
ChkSyncStus_FG  equ    6        ;Video mute time end
MuteWaiting_FG  equ    5        ;Being video mute extension
MuteRelse_FG    equ    4        ;Video mute release
PwrOnWait_FG    equ    3        ;Power-on mute delay(2sec)
PsyncOut_FG     equ    2        ;Pseudo sync output status
NormMwait_FG    equ    1        ;Count mute extension time(350ms)
;
;
Time_FGR        EQU    03h      ;
KeyDetect_FG    equ    7        ;Key detecting per 10ms
DeGTime_FG      equ    6        ;Degaussing time(3sec)
ChkPwrKey_FG    equ    5        ;Checking power-key status per 10ms
;
;
Status_FGR      EQU    04h      ;
SfRasterIn_FG   equ    7        ;Self-Raster mode
Recall_FG       equ    6        ;Recall function(Continuous key=3sec)
UserDel_FG      equ    5        ;Delete user data in EEPROM(Continuous key=5sec)
FindSyncSrc_FG  equ    4        ;
;
;
EepRom_FGR      EQU    05h      ;
UserArea_FG     equ    7        ;Checking EEPROM user data area
ClosHsync_FG    equ    6        ;Searching closest Hsync mode
SavedEep_FG     equ    5        ;Factory data saved EEPROM ?
EepDataRd_FG    equ    4        ;EEPROM data read after mode changing
NoFactSave_FG   equ    3        ;EEPROM data read after mode changing
;
;
Tda9109_FGR     EQU    05h      ;
TdaWrite_FG     equ    2        ;Write PWM data to TDA9109
TdaRead_FG      equ    1        ;Read from TDA9109
;
;

```



```

;ex> if, HfHighData=#x2h,
;HfLowData=#58h => Hsync frequency = 258h=60.0Khz
;total number of timer0 counter within Vsync period
;Double Byte
Vcount EQU 30h
; EQU 31h
NoVTime EQU 32h
;Checking the sustaining time of no Vsync signal
;if NoVTime > 30ms(under 33Hz) => Mute
VFreqCHigh EQU 33h
;Temp storage of Timer0(Vsync) overflow count
T0OvfCntr EQU 34h
;No vsync-int. service if DDC1 high freq. Mode
VfCurrNew EQU 35h
;Current Vsync freq
VFreqData EQU 36h
;Saved Vsync freq.
VclkCntr EQU 37h
;For auto recovery of DDC mode (DDC2B -> DDC1)
;
;
PolaCntr EQU 38h
;Count number of polarity checking
VPolaCntr EQU 39h
;Increment when positive polarity
;
;
UmodeNo EQU 40h
;Matched number of user mode
FmodeNo EQU 41h
;Factory mode
ReadData EQU 42h
;Readed Data from EEPROM
;
;
EP_BPlus EQU 50h
;EEPROM & RAM data
EP_CONTRAST EQU 51h
;KA2504
EP_RGain EQU 52h
EP_GGain EQU 53h
EP_BGain EQU 54h
EP_CoffBRIGHT EQU 55h
;KA2504
EP_RCutoff EQU 56h
EP_GCutoff EQU 57h
EP_BCutoff EQU 58h
EP_ACL EQU 59h
;PWM5
;
;
;
EdidAddr EQU 80h
;Page1 RAM register
;EDID address(00~7Fh:128-byte)
;
;
; // WORKING REGISTERS -> GENERAL RAM
;
;
;R14 EQU EepSubAddr
;Sub address of EEPROM/TDA9109
;R15 EQU EepWrData
;Data to write in EEPROM/TDA9109
;---> KA2504 Pre-amp control
;
;R14 EQU PreAmpSubAddr
;Sub address
;R15 EQU PreAmpCtrlData
;Data address
;
;
; // Buffer for DDC2B+ protocol
;
;
MBusBuff EQU 0B0h
;For DDC2B+(00h-0BFh:16-byte)
AbusDstAddr EQU 0B0h
AbusSrcAddr EQU 0B1h
AbusPLength EQU 0B2h
AbusCommand EQU 0B3h
; :
; :
; EQU 0BFh
;
;

```



```

; // Pre-Amp Sub-address Mapping
;
PSubA_Cont      EQU    00h
PSubA_SBnBr     EQU    01h

;
PSubA_RGain     EQU    02h
PSubA_GGain     EQU    03h
PSubA_BGain     EQU    04h
PSubA_CoBr      EQU    05h
PSubA_RCo       EQU    06h
PSubA_GCo       EQU    07h
PSubA_BCo       EQU    08h
PSubA_Sw        EQU    0Ah

;
; Slave address=DCh
; Contrast control
; bit7=Soft Blanking(1:ON, 0:OFF)
; Bit6-5=Cut-off control offset current switch
; (CS2:160uA, CS1:80uA)
; Bit4-0=Brightness control
; R Gain Control
; G Gain Control
; B Gain Control
; Cut-off brightness control
; R Cut-off control
; G Cut-off control
; B Cut-off control
; Blanking On-Off Control

; // EEPROM Address Mapping
;
EPA_CoBr        EQU    0F6h
EPA_Cont        EQU    0F7h
EPA_RGain       EQU    0F8h
EPA_GGain       EQU    0F9h
EPA_BGain       EQU    0Fah
EPA_RCo         EQU    0FBh
EPA_GCo         EQU    0FCh
EPA_BCo         EQU    0FDh
EPA_ACL         EQU    0Feh

;
; KA2504 Cut-off Brightness
; KA2504 Cut-off Contrast
; KA2504 R-Gain
; KA2504 R-Cut off

;----- DDC2ab communication command code -----
;-----
I_Reset         equ    0F0h
I_IdReq         equ    0F1h
;
I_AsgnAdr       equ    0F2h
I_CapReq        equ    0F3h
I_AppIRprt      equ    0F5h
;
I_Attention     equ    0E0h
I_IdReply       equ    0E1h
I_CapReply      equ    0E3h
;
I_GetVCP        equ    01h
I_VCPFReply     equ    02h
I_SetVCP        equ    03h
I_GetTiming     equ    07h
I_ResetVCPF     equ    09h
I_DisableVCPF   equ    0Ah
I_EnableVCPF    equ    0Bh

```



```

;bit4 -> not used
;bit3 -> IRQ3 DDC Int.
;bit2 -> IRQ2 Timer M1 Cap. Int.
;bit1 -> IRQ1 Timer M2 Int.
;bit0 -> IRQ0 Timer M0 Cap. & Ovf. Int.
        SB0
        CLR    EMT
        LD     IPR,#00010001B
;Select bank 0
;0 wait, Internal stack area
;Group priority(int) undefined(A>B>C)
;TM2/TM1 > TM0 > DDC
        LD     CLKCON,#18h
        LD     BTCON,#0A2h
        LD     WDTCN,#00h
        LD     STOPCON,#5Ah
;CPU=fx(no division)
;WatchDog Timer Disable
;Watchdog Time = tBTOVF
;Stop Function Disable

;Initialize Sync-processor control register
;
        LD     SYNCON2,#10100000B ;Bit7=read only
        LD     SYNCON1,#11000000B ;ClampO=negative polarity
;VsyncO=5-bit counter compare output
        LD     SYNCON0,#00100000B ;Automatic Hsync blanking,
;syncO source=Vsyncl port
        LD     PHGEN,#83
        LD     PVGEN,#101
;Pseudo Hsync = 48.19KHz
;Pseudo Vsync = 59.64KHz
;
;
;Initialize Timer control register
;
        LD     TM0CON,#10001111B ;Timer0 clock source=@8MHz/8=1MHz(1us)
;Capture rising mode
;Enable capture/overflow interrupt
;Capture source=Vsync output path
;from sync-processor
        LD     TM1CON,#00001100B ;source=Hsyncl
;Capture disable
;Capture Source=Timer2 interval time*10(10ms)
;Enable capture interrupt
        LD     TM2CON,#00111101B ;Timer2 interval=@8MHz/(8*1000)=1ms
;
;
;*****
MAIN:    CALL   ChkDDC2Bi
        CALL   ChkDDCRecover
        CALL   ChkHVPres           ;Check H/Vsync presence
        CALL   ChkHVPol           ;Check H/Vsync polarity
;
;
;
        JR     MAIN
;
;
;*****
;***** DDC2Bi service routine *****
;*****
ChkDDC2Bi    TM     IIC_FGR,#01<<DDCCmd_FG ;DDCCmd_FG=0 ?
            JR     Z,DDC2BPrtn
            SB1

```

```

        TM    DCSR0,#01<<DBB          ;End of Rx(Not usy) ?
        JR    NZ,DDC2BPrtn
        SB0
        CLR   RxXCntr                  ;RxXCntr <- #00h
        AND   IIC_FGR,#0FFh-(01<<DDCCmd_FG) ;ActIIC_FG <- 0
        CALL  DDC2biRxd
DDC2BPrtn    SB0
            RET
;
;
;
*****
.*****  DDC mode checking service routine  *****
;
;*****
;
ChkDdcRecover    TM    IIC_FGR,#01<<Ddc2BlIn_FG      ;Already DDC2B mode ?
                JR    NZ,ChkDdcRtn
                SB1
                TM    DCON,#01<<SCLF
                JR    NZ,ChkDdc2In
ChkDdcRtn        SB0
                RET
;
;
ChkDdc2In        TM    DCON,#01<<DDC1EN              ;DDC1 Tx mode ?
                JR    NZ,ChkDdcRtn
                CP    VclkCntr,#128
                JR    ULE,ChkDdcRtn
                OR    DCON,#01<<DDC1EN              ;Switch back to DDC1 from DDC2B
                AND   DCON,#0FFh-(01<<SCLF)
                AND   IIC_FGR,#0FFh-(01<<Ddc2BlIn_FG)
                CLR   VclkCntr
                LD    TBDR,#00h
                LD    PP,#11h
                LD    EdidAddr,#01h
                CLR   PP
                JR    ChkDdcRtn
;
;
DDC2BiRxd        NOP
                RET
;
;
;*****
;/** Title : Check H/V presence, a kind of sync source and mode changing
;/**
;/**
;/**
;/** Inputs:
;/** Outputs:
;/** Preserves:
;/** Corrupts: R0,
;/**
;*****
ChkHVPres:       TM    SyncP_FGR0,#01<<HSyncFin_FG      ;Checking period of Hsync frequency
                                                         ;is 10ms by timer M1/2 interrupt
                JR    Z,ChkPresnVsync
                AND   SyncP_FGR0,#0FFh-(01<<HSyncFin_FG)
;
;
;
                CALL  Chk10msTimer                      ; Every by 10ms
                                                         ; Time counter(100ms,1sec,2sec,3sec,7sec)

```

```

;
CheckHV_Range    CALL    ChkHNosyncRange
                 JP      C,SyncOffState                ;Under 10KHz ?
;
ChkHsyncData    CALL    UHSyncChk                    ;Check changing rate of Hsync frequency
                 JP      C,SyncOffState                ;If changing rate > 00Hz
                 CALL    UPolaChk                    ;Check Polarity data
                 JP      C,SyncOffState
;
ChkPresnVsync   CP      NoVTime,#25                  ;If NoVTime > 25ms(under 40Hz) => Mute
                 JP      UGT,ChkVsyncSrc
                 TM      SyncP_FGR0,#01<<VSyncFin_FG    ;Being Vsync signal(Vsync interrupt) ?
                 JP      Z,ChkHVPrtn
                 AND     SyncP_FGR0,#0FFh-(01<<VSyncFin_FG)
                 TM      Status_FGR,#01<<FindSyncSrc_FG    ;Already find sync source ?
                 JP      NZ,SkipChkVsyncSrc
                 OR      Status_FGR,#01<<FindSyncSrc_FG    ;First checking source is
                                                             ;composite sync then seperate sync
                 AND     SyncP_FGR0,#0FFh-(01<<SetSepSync_FG)
                 JP      ChkSOGsignal
;
ChkVsyncSrc     CLR      NoVTime
                 TM      Status_FGR,#01<<FindSyncSrc_FG    ;New sync source ?
                 JR      NZ,NoPresVsync
                 TM      SyncP_FGR0,#01<<SetSepSync_FG    ;No Vsync input
                 JR      NZ,NoPresVsync
                 OR      SyncP_FGR0,#01<<SetSepSync_FG
                 AND     SYNCON0,#0FFh-(01<<VOSS)        ;Changing to separate-sync mode
                 AND     SYNCON0,#0FFh-(01<<HBLKEN)
                 OR      TM1CON,#01<<T1CAPEN            ;Enable Timer M1 capture mode
                 RET
;
NoPresVsync    CALL    ClrSyncSrcFlag
                 OR      SyncP_FGR1,#01<<VNosync_FG        ;VNosync_FG <- 1
                 OR      Dpms_FGR,#01<<ChkDpmsCon_FG      ;ChkDpmsCon_FG <- 1
                                                             ;(Start DPMS check)
                 TM      SyncP_FGR1,#01<<HNosync_FG        ;No Hsync & No Vsync
                 JP      Z,SyncOffState
                 OR      SyncP_FGR1,#01<<NoSync_FG
                 JP      SyncOffState                    ;Mute
;
SkipChkVsyncSrc :
ChkSOGsignal    TM      SYNCON2,#01<<SOGI                ;Check SOG signal input ?
                 JR      Z,CountVfreq
                 AND     SYNCON1,#01<<FBPS                ;Back porch
;
CountVfreq     CALL    NormalVfCnt                    ;Calculate Vsync freq.
                 CALL    UVSyncChk                    ;Check changing rate of sync frequency
                 JP      C,SyncOffState
                 CALL    ChkHVRRange                    ;Check video signal range
                 JP      C,SyncOffState                    ;Range Over !
;
StableFreqIn   TM      Mute_FGR,#01<<MuteRelse_FG

```

```

ChkHVPrtn      JR      Z,ChkMuteTime
                RET
;
ChkMuteTime    TM      Mute_FGR,#01<<ChkSyncStus_FG      ;Checking sync status every Vsync
                                                        ;signal event
                JP      Z,VMuteRtn
                TM      Mute_FGR,#01<<MuteWaiting_FG      ;Already previous mute-release step ?
                JP      NZ,MuteRelease
                TM      SyncP_FGR0,#01<<HstblFreq_FG      ;Stable Hsync input ?
                JR      NZ,ChkStblVsync
                OR      Mute_FGR,#01<<ChkSyncStus_FG
                RET
;
ChkStblVsync   TM      SyncP_FGR0,#01<<VstblFreq_FG      ;Stable Vsync input ?
                JR      NZ,NormalSyncOut
                OR      Mute_FGR,#01<<ChkSyncStus_FG
                RET
;
NormalSyncOut  CALL     PosiPolOut                          ;Adjust polarity to positive
                CALL     PolaUpDate                      ;Polarity data update
                LD      SYNCON2,#10110000B              ;Normal sync operation
                AND     Mute_FGR,#0FFh-(01<<PsyncOut_FG)
                OR      SyncP_FGR0,#01<<NormSync_FG      ;Re-start polarity checking
;
LoadDAC        CALL     UpdateHDuty                      ;Adjust Hsync duty value in KB2511
                CALL     AdjModeSize                    ;Adjust mode size according to Hsync freq. range
                CALL     B_PlusOut                      ;Adjust B+ reference value in KB2511
                CALL     S_Correct                      ;Adjust S-correction port
;
                OR      EepRom_FGR,#01<<EepDataRd_FG      ;Load PWM data
                                                        ;(processing in 'MAIN' routine)
                OR      Mute_FGR,#01<<MuteWaiting_FG      ;Start time checking for mute extension
                AND     Mute_FGR,#0FFh-(01<<ChkSyncStus_FG)
                TM      Mute_FGR,#01<<PwrOnWait_FG
                JR      NZ,MuteDelay
                CLR     M10mSR                          ;2sec
                RET
;
MuteDelay      OR      Mute_FGR,#01<<NormMwait_FG        ;Load image data -> 350ms delay
                                                        ; -> Mute release
                CLR     M10mSR
                RET
;
MuteRelease    AND     Mute_FGR,#0FFh-(01<<ChkSyncStus_FG)
                AND     Mute_FGR,#0FFh-(01<<MuteWaiting_FG)
                AND     Mute_FGR,#0FFh-(01<<Vmute_FG)
                OR      Mute_FGR,#01<<MuteRelse_FG
                OR      P0,#01<<Muteport                  ;P0.7 <- 1 : mute port release
;
                LD      R14,#PSubA_SbNbr                ;Off soft blanking(bit7 <- 0, KA2504)
                LD      R15,#00h                        ;R14= device(KA2504) sub-address,
                                                        ;R15= control data
                CALL     Preamp_RGB_Drv

```



```

        DIV    RR4,#10
        RET
S_Correct    CALL    H_CountLoad
            CP     R5,#35                ;Under 35Khz
            ;
            ;
        RET
;
;
;*****
;/** Title :      Adjust Horizontal Duty Cycle(TDA9109)
;
;
;      Hsync freq. < 35KHz => 00h(TDA9109 address)=48h
;
;      < 41KHz => 00h=49h
;
;      < 46KHz => 00h=4Ah
;
;      < 52KHz => 00h=4Bh
;
;      < 56KHz => 00h=4Ch
;*****
;
;
UpdateHDuty    CALL    H_CountLoad
            CP     R5,#35                ;Under 35KHz
            ;
            ;
        RET
;
;
;*****
;/** Title :      Adjust Mode Size(PWM6, 14/15")
;15"
;      H_sync freq. < 41KHz => PWM6=#1Bh
;      (R5=xxKHz) < 46KHz => PWM6=#4Ah
;
;      < 50KHz => PWM6=#50h
;
;      < 56KHz => PWM6=#91h
;
;      < 62KHz => PWM6=#CDh
;*****
;
;
AdjModeSize    CALL    H_CountLoad
            CP     R5,#41                ;Under 41Khz
            ;
            ;
        RET
;
;
;*****
;/** Title :      Adjust B_Plus Output
;*****
;
;
B_PlusOut      LD     R6,EP_BPlus        ;EP_BPlus=KA2511 B+ referance data
            CALL    H_CountLoad
;
;
            CP     R5,#41                ;Under 41Khz
            ;
            ;
ModeBplusOut   ADD     R6,#0              ;51KHz - 55.9KHz
            LD     R14,#0Bh             ;B+ sub-address
            LD     R15,R6               ;B+ data
            OR     Tda9109_FGR,#01<<TdaWrite_FG

```

```

CALL WriteCycle
RET
;*****
;/** Title : Check mode change and h/v frequency range for mode detection
;/** Normal Fh <= 500Hz
;/** Normal Fv <= 1Hz
;/** if there is in the sync range , Set carry
;/** HfHighNew --> bit7---> H-polarity
;/** bit6---> V-polarity
;/**
;/** Inputs: R0,R1
;/** Outputs:
;/** Preserves:
;/** Corrupts:
;*****
;
;
;*****
;/** Title : Check New polarity and old polarity
;/**
;*****
;
;
UPolaChk      TM      SyncP_FGR0,#01<<NormSync_FG      ;Pseudo sync output status ?
              JR      Z,PolChkRtn
;
;
              LD      R0,SyncP_FGR1
              AND     R0,#11000000b
              LD      R1,HfHighData                    ;bit 7 & 6 are used for POL.
              AND     R1,#11000000b
              CP      R0,R1
              JR      NE,PolaUpDate                    ;Compare hv_polarity.
;
;
PosiPolOut    TM      SyncP_FGR1,#01<<HPolarity_FG
              JR      Z,InvHPola
              AND     SYNCON1,#0FFh-(01<<HOS)        ;HOS=HsyncO status(polarity) control bit
;
;
ChkVPola      TM      SyncP_FGR1,#01<<VPolarity_FG
              JR      Z,InvVPola
              AND     SYNCON1,#0FFh-(01<<VOS)        ;VOS=VsyncO status(polarity by-pass)
;
PolChkRtn     RCF
              RET
;
;
InvHPola      OR      SYNCON1,#01<<HOS                ;HsyncO=Invert HsyncI signal
              JR      ChkVPola
;
InvVPola      OR      SYNCON1,#01<<VOS
              JR      PolChkRtn
;
;
PolaUpDate    LD      R4,HfHighNew
              AND     R4,#00000011b
              LD      R5,SyncP_FGR1
              AND     R5,#11000000b                    ;Masking except polarity flag
              OR      R4,R5
              LD      HfHighData,R4
              SCF

```



```

                                RET
;
;
;*****
;/** Title : Compare Vertical Frequency
;/**
;/**
;*****
UVSyncChk:    LD    R0,VfCurrNew
              CP    R0,VFreqData
              JR    ULT,RevVSub
              SUB   R0,VFreqData
;
;
CmpFvRng     CP    R0,#1                ;Compare 1Hz
              JR    UGT,UpdateVfData
              OR    SyncP_FGR0,#01<<VstblFreq_FG    ;Set stable Vsync signal input flag
              RCF
              RET
;
RevVSub      LD    R0,VFreqData        ;VFreqData= saved stable Vsync frequency
              SUB   R0,VfCurrNew      ;VfCurrNew= inputted new Vsync frequency
              JR    CmpFvRng
;
UpdateVfData AND   SyncP_FGR0,#0FFh-(01<<VstblFreq_FG)
              LD    VFreqData,VfCurrNew    ;Refresh v-frequency
              SCF
              RET
;
;*****
;/** Title : Compare Horizontal Frequency
;/**
;/**
;*****
UHSyncChk    LD    R0,HfLowNew
              SUB   R0,HfLowData        ;R0 = |HfLowNew - HfLowData|
              LD    R1,HfHighNew
              LD    R2,HfHighData
              AND   R2,#00000011b      ;R1 = |HfHighNew - HfHighData|
              SBC   R1,R2
              JR    C,RevHSub
;
CmpFhRng     CP    R1,#00h            ;HfHighNew =/ HfHighData ?
              JR    NE,UpdateHfData
;
;
              TM    SYNCON0,#01<<VOSS    ;Composite sync signal ?
              JR    Z,ChkNormHfRng
              CP    R0,#9                ;Compare 1KHz
              JR    UGT,UpdateHfData
              JR    StblHsyncIn
;
ChkNormHfRng CP    R0,#4                ;Changing rate < 500Hz ?
              JR    UGT,UpdateHfData

```



```

                JR    C,FinivfCal
                ADD   R0,#1                ;R0=xxHz(Frequency=1/Time)
                JR    C,NoVsyncSignal      ;Overflow(over 256Hz) ?
                JR    ContiSub
FinivfCal      LD    VfCurrNew,R0
                RET
;
NoVsyncSignal CLR   VfCurrNew            ;VfCurrNew <- 00Hz
                RET
;
;*****
;/** Title : Check H/V Sync Range
;/**      27Khz(10Eh) < Fh < 62KHz(15" 26Ch)
;/**      40Hz(28h) < Fv < 135Hz(87h)
;/**
;/**
;/** Inputs:
;/** Outputs:
;/** Preserves:
;/** Corrupts:
;*****
ChkHVRRange:  LD    R2,HfHighNew
                LD    R3,HfLowNew
                RCF
                SUB   R3,#0Eh             ;#10Eh=27KHz
                SBC   R2,#01
                JR    C,OverHfRange
                LD    R2,HfHighNew
                LD    R3,HfLowNew
                RCF
                SUB   R3,#6Ch             ;#26Ch=62KHz
                SBC   R2,#02
                JR    NC,OverHfRange
                AND   SyncP_FGR1,#0FFh-(01<<NoSync_FG)
                AND   SyncP_FGR1,#0FFh-(01<<OverHsync_FG)
;
;
ChkVfreqRange CP   VfCurrNew,#40        ;40Hz
                JR    ULT,NoVsyncIn
                CP   VfCurrNew,#135      ;135Hz
                JR    UGT,OverRange
;
;
NormHVsyncIn  AND   SyncP_FGR1,#0FFh-(01<<VNosync_FG)
                AND   SyncP_FGR1,#0FFh-(01<<NoSync_FG)
                AND   SyncP_FGR1,#0FFh-(01<<OverRange_FG)
                AND   P0,#0FFh-(01<<Suspndport)    ;Stop Suspend
                NOP
                NOP
                NOP
                OR    P0,#01<<Offport      ;Stop Off
;
                TM    Dpms_FGR,#01<<PwrOffIn_FG   ;Power off/suspend mode ?
                JR    Z,ClrDpmsFlags

```



```

;
;
;
;*****
;/** Title : Check H/V polarity for every 5ms
;/**
;/**
;/** Inputs: VsyncI port data, SYNCON1.0
;/** Outputs: HPolarity_FG/VPolarity_FG (in SyncP_FGR1)
;/** Preserves:
;/** Corrupts:
;*****
;
;
ChkHVPol:      TM      SYNCON0,#01<<VOSS                ;Composite sync(H+V) ?
               JR      Z,ChkSepSyncPol
               TM      SYNCON1,#01<<HPOL                ;Hsync polarity=positive ?
               JR      NZ,HVposiPola
               AND     SyncP_FGR1,#0FFh-(01<<HPolarity_FG)
               AND     SyncP_FGR1,#0FFh-(01<<VPolarity_FG)
               OR      TM1CON,#01<<VEDGSEL
               OR      TM0CON,#01<<T0EDGSEL
               JR      ChkHVPol_rtn
;
;
HVposiPola     OR      SyncP_FGR1,#01<<HPolarity_FG
               OR      SyncP_FGR1,#01<<VPolarity_FG
               AND     TM1CON,#0FFh-(01<<VEDGSEL)
               AND     TM0CON,#0FFh-(01<<T0EDGSEL)
               JR      ChkHVPol_rtn
;
;
ChkSepSyncPol  TM      SYNCON1,#01<<HPOL                ;Seperated sync signal
               JR      NZ,HposiPola
               AND     SyncP_FGR1,#0FFh-(01<<HPolarity_FG)
               JR      ChkVsyncPol
;
;
HposiPola      OR      SyncP_FGR1,#01<<HPolarity_FG
ChkVsyncPol    CP      SYNCON1,#01<<VPOL
               JR      Z,VNegaPola
               OR      SyncP_FGR1,#01<<VPolarity_FG
               AND     TM1CON,#0FFh-(01<<VEDGSEL)
               AND     TM0CON,#0FFh-(01<<T0EDGSEL)
               RET
;
;
VNegaPola      AND     SyncP_FGR1,#0FFh-(01<<VPolarity_FG)
               OR      TM1CON,#01<<VEDGSEL
               OR      TM0CON,#01<<T0EDGSEL
ChkHVPol_rtn   RET
;
;
;*****
;/** Title : Timer 0 overflow interrupt(interval=256us(1us*256))
;/**
;/**
;/** Inputs: fosc(@8MHz)/8=1us(Timer0 clock source)
;/** Outputs: Overflow count for Vsync interval
;/** Preserves:

```

```

;/** Corrupts:
;*****
TM0Ovf_Int:      PUSH  PP                ;256us interval interrupt
                 CLR   PP
                 INC   VFreqCHigh        ;Overflow counter for Vsync freq. calculation
                 INC   T0OvfCntr
                 POP   PP
                 IRET

;
;*****
;/** Title : Timer 1 capture interrupt(T1DATA=Number of Hsync signal for 10ms)
;/**
;/**
;/** Inputs: Hsync signal(event counter source)
;/** Outputs: Number of Hsync signal for 10ms(separate sync input mode)
;/** Preserves:
;/** Corrupts:
;*****
;
;
TM1Cap_Int:      SB0
                 PUSH  PP
                 CLR   PP
                 AND   TM1CON,#0FFh-(01<<T1PND) ;Pending clear
                 TM    TM1CON,#01<<T1CAPEN      ;Composite sync signal ?
                 JR    Z,T1CapRtn

;
;
                 LD    HfHighNew,TM1DATAH        ;TM1DATA is 12-bit event counter for 10ms
                 LD    HfLowNew,TM1DATAL
                 CLR   AverageHf
                 OR    SyncP_FGR0,#01<<HSyncFin_FG ;Set Hsync signal find flag
                 OR    Time_FGR,#01<<KeyDetect_FG ;Key scanning(interval time=every 10ms)
                 OR    Time_FGR,#01<<ChkPwrKey_FG ;Power key checking
T1CapRtn        POP   PP
                 IRET

;
;
;*****
;/** Title : Timer 2 base time interrupt(interval=1ms)
;/**
;/**
;/** Inputs: fosc(@8MHz)/(1000*8)=1ms interrupt
;/** Outputs: Number of Hsync signal for 10ms(composite sync input mode)
;/** Preserves:
;/** Corrupts:
;*****
;
;
T2Intv_Int:      SB0                ;1ms interval timer
                 PUSH  PP
                 PUSH  R0
                 CLR   PP
                 TM    SYNCON0,#01<<VOSS        ;Separated sync signal ?
                 JP    Z,T2Intvlrtn

;
;

```

```

CompSyncCalcu  LD    HFreqStCnt, HFreqSpCnt
                LD    HFreqSpCnt, TM1CNTL
                TM    SYNCON2, #01<<UNMIXHSYNC           ;Mixed sync signal
                                                         ;(Hsync period with Vsync signal) ?
                JR    Z, MixedSyncInput
                TM    SyncP_FGR0, #01<<MixedSync_FG
                JR    Z, NormHcount
;
MixedSyncInput  ADD    HCount+1, AverageHf      ;if input sync is mixed sync input for this 1ms period
                ADC    HCount, #0
                JR    BaseTimer
;
NormHcount     LD    R0, HFreqSpCnt
                SUB    R0, HFreqStCnt
                ADD    HCount+1, R0              ;R0=number of Hsync signal for 1ms
                ADC    HCount, #0
;
BaseTimer      TM    SYNCON2, #01<<UNMIXHSYNC           ;Not finish mixed-sync period ?
                JR    Z, Check10ms
                AND    SyncP_FGR0, #0FFh-(01<<MixedSync_FG)
Check10ms      INC    TB1mSR
                CP    TB1mSR, #10
                JR    ULT, T2Intvlrtn
;
                LD    HfHighNew, HCount           ;Number of Hsync signal for 10ms
                LD    HfLowNew, HCount+1
                CLR    TB1mSR
                LDW   HCount, #00h
                OR    SyncP_FGR0, #01<<HSyncFin_FG      ;Set Hsync signal find flag
                OR    Time_FGR, #01<<KeyDetect_FG       ;Key scanning
                OR    Time_FGR, #01<<ChkPwrKey_FG       ;Power key checking
T2Intvlrtn    POP    R0
                POP    PP
                IRET
;
;*****
;/** Title : 10msec time base
;/**
;*****
Chk10msTimer:  TM    Mute_FGR, #01<<NormMwait_FG
                JR    Z, PwrUpMTime
                INC    M10mSR
                CP    M10mSR, #35                 ;Mute delay=350ms
                JR    UGT, SetMuteChkTime
                JR    TimeB10mS
;
PwrUpMTime     TM    Mute_FGR, #01<<PwrOnWait_FG
                JR    NZ, TimeB10mS
                INC    M10mSR
                CP    M10mSR, #200                ;Power-up mute=2sec
                JR    ULE, TimeB10mS
                OR    Mute_FGR, #01<<PwrOnWait_FG
                AND    Mute_FGR, #0FFh-(01<<Vmute_FG)

```

```

SetMuteChkTime    AND    Mute_FGR,#0FFh-(01<<NormMwait_FG)
                  OR     Mute_FGR,#01<<ChkSyncStus_FG      ;ChkSyncStus_FG <- 1
TimeB10mS         DEC    TB10mSR
                  JR     ne,TBaseRtn
                  LD     TB10mSR,#10
;
;
;*****
;/** Title : 100msec time base
;/**
;*****
Time100mS        CALL   ChkDegEndTime
                  TM     SyncP_FGR1,#01<<OverRange_FG      ;Over range ?
                  JR     NZ,CheckDpmsIn
                  TM     Dpms_FGR,#01<<ChkDpmsCon_FG      ;DPMS condition ?
                  JR     Z,TBaseRtn
;
;
CheckDpmsIn      CP     DPMS100mSR,#30                    ;3sec ?
                  JR     UGE,SetDpmsChk
                  INC    DPMS100mSR
                  JR     TBaseRtn
SetDpmsChk       OR     Dpms_FGR,#01<<DpmsStart_FG
TBaseRtn         RET
;
;
;*****
;/** Title : Degaussing time check
;/**
;/**
;*****
ChkDegEndTime    TM     Time_FGR,#01<<DeGTime_FG
                  JR     Z,ChkDegEndRet
                  DEC    DG100mSR
                  JR     NE,ChkDegEndRet
                  AND    P0,#0FFh-(01<<DeGausport)        ;Degaussing(3sec) Off
                  AND    Time_FGR,#0FFh-(01<<DeGTime_FG)
ChkDegEndRet     RET
;
;
;*****
;/** Title : Timer0 Vsync edge interrupt
;/**
;/**
;/** Inputs : VFreqCHigh(=T0 ovf count), T0DATA(=T0 capture data)
;/** Outputs: Vcount(=Vsync interval time[us])
;/** Preserves:
;/** Corrupts:
;*****
;
;
VSyncDet_Int:    PUSH   PP
                  CLR   PP
                  CLR   NoVTime
                  CP     T0OvfCntr,#10                    ;Over 400Hz(DDC1 mode) ?

```



```

        JR    UGT,VsyncDetSrv
        CLR  T0OvfCntr
        OR   SyncP_FGR0,#01<<DdcHighSpd_FG
        POP  PP
        IRET
;
VsyncDetSrv    SB0
               OR   SyncP_FGR0,#01<<VSyncFin_FG ;bit finsih vsync counter
               LD   Vcount,VFreqCHigh           ;Number of Timer0 overflow counter
               MULT Vcount,#255
               ADD  Vcount+1,VFreqCHigh         ;VFreqCHigh*256
               ADC  Vcount,#0
               ADD  Vcount+1,TM0DATA            ;Vcount(2-byte)=(#Overflow*256)+T0CNT
               ADC  Vcount,#0
               CLR  VFreqCHigh
               CLR  T0OvfCntr
               AND  SyncP_FGR0,#0FFh-(01<<DdcHighSpd_FG)
;
CheckDdcVclk  TM   IIC_FGR,#01<<Ddc2mode_FG    ;Correct DDC2B mode ?
               JR   NZ,SetMixSyncFlag
               SB1
               TM   DCON,#01<<DDC1EN           ;DDC1 mode ?
               JR   NZ,SetMixSyncFlag
               INC  VclkCntr                   ;Increment Vsync counter for DDC recovery
SetMixSyncFlag SB0
               TM   SYNCON0,#01<<VOSS
               JR   Z,VsyncDetIrtm
               OR   SyncP_FGR0,#01<<MixedSync_FG
VsyncDetIrtm  POP PP
               IRET
;
;*****
;/** Title : Interrupt for multi master I2c bus processor
;/**      - Vector address --> 00F8h for Irq1
;/**
;/** Inputs: PC/Control jig -> Monitor (DDC1/2B/2B+)
;/** Outputs: Monitor -> PC/Control jig (DDC1/2B/2B+)
;/** Preserves:
;/** Corrupts:
;*****
;
DDCnFA_Int:   SB1
               PUSH PP
               CLR  PP
;
;-----
;---          DDC1 Tx protocol processor          ----
;-----
               TM   DCON,#01<<DDC1EN           ;Normal interface mode(No DDC1) ?
               JR   Z,DDC2Routine
               TM   DCON,#01<<SCLF             ;Is falling edge detected at SCL pin ?
               JP   Z,EdidTx                  ;DDC1 EDID Tx
               LD   PP,#11h

```

```

CLR    TBDR                                ;First EDID(#00h)
CLR    EdidAddr
AND    DCON,#0FFh-(01<<DDC1EN)           ;DDC1 -> Normal IIC-bus
AND    DCCR,#0FFh-(01<<DPND)             ;Clear IIC.bus int. pending bit
POP    PP
SB0
IRET

;
;-----
;---      DDC2 protocol mode checking      ---
;-----
DDC2Routine    TM    DCSR0,#01<<DMTX           ;Master Tx : DDC2B+ (Monitor -> PC)
                JP    NZ,Master
                TM    DCSR0,#01<<DSTX           ;Slave Tx : DDC2Bi (Monitor <-> PC)
                JR    NZ,ChkDDC2mode
                TM    DCON,#01<<DDC1MAT         ;DDC2B(#A0h) mode ?
                JP    NZ,DDC2Bmode
                TM    IIC_FGR,#01<<RevA0match_FG ;Already received slave address #A0h ?
                JP    NZ,DDC2Bmode

;
                OR    IIC_FGR,#01<<Ddc2mode_FG
                OR    IIC_FGR,#01<<DDCCmd_FG     ;If Rx mode(DDC2B+/Ci), set DDCCmd_FG
                PUSH R0
                LD    R0,#MbusBuff             ;DDC2B+ : PC -> Monitor
                ADD   R0,RxXCntr
                LD    @R0,RBDR                 ;@(#MbusBuff+RxXCntr) <- RBDR(=Rx buffer)
                INC   RxXCntr
                POP   R0
                CLR   VclkCntr                 ;DDC error checking timer
                AND   DCON,#0FFh-(01<<DDC1EN)   ;DDC1 -> Normal IIC-bus interface mode
DdcSrvRtn      AND   DCCR,#0FFh-(01<<DPND)     ;Clear IIC.bus int. pending bit
                POP   PP
                SB0
                IRET

;
;-----
;---      DDC2B protocol processor      ---
;-----
ChkDDC2mode    AND   IIC_FGR,#0FFh-(01<<RevA0match_FG)
                TM    DCON,#01<<DDC1MAT         ;Address match as #A0h(DDC2B mode)
                JP    Z,DDC2BiPrss

;
                TM    DCSR0,#01<<DRXACK         ;Is ACK received ?
                JR    NZ,DdcCommFail

;
                TM    IIC_FGR,#01<<Ddc2BTxmode_FG
                JR    NZ,EdidTx
                OR    IIC_FGR,#01<<Ddc2BTxmode_FG ;Set match flag of slave Tx mode
                                                         ;address(#A1h)
                CP    DDSR,#00h                 ;In this case : A0h -> 00h -> P & S -> A1h -> ..
                JR    NE,EdidTx
                LD    PP,#11h                 ;In this case : A0h -> 00h -> S -> A1h ->
                INC   EdidAddr                 ;EdidAddr : 00h -> 01h (Repeat start case)

```

```

;
EdidTx          LD      PP,#11h
                CP      EdidAddr,#7Fh          ;EDID=00h~7Fh(Page1)
                JR      ULE,PrepNextAddr
                CLR     EdidAddr              ;First data
PrepNextAddr   LD      TBDR,@EdidAddr         ;TBDR=Tx buffer
                TM      DCSR1,#01<<DBUFEMT
                JR      NZ,ReloadTxBuff
                INC     EdidAddr
                AND     DCCR,#0FFh-(01<<DPND) ;Clear IIC.bus int. pending bit
                POP     PP
                SB0
                IRET
;
ReloadTxBuff    INC     EdidAddr
                LD      TBDR,@EdidAddr        ;For keeping normal pre-buffer mode
                INC     EdidAddr
                AND     DCCR,#0FFh-(01<<DPND)
                POP     PP
                SB0
                IRET
;
DdcCommFail     LD      PP,#11h
                CLR     TBDR                  ;First data of EDID
                CLR     EdidAddr
                AND     DCSR0,#0FFh-(01<<DSTX) ;Return slave Rx mode
                AND     DCCR,#0FFh-(01<<DPND) ;Clear IIC.bus int. pending bit
                POP     PP
                SB0
                IRET
;/ DDC1 -> DDC2B mode
DDC2Bmode       CLR     VclkCntr              ;For DDC1 recovery mode
                OR      IIC_FGR,#01<<Ddc2mode_FG
                CP      RBDR,#0A0h           ;Slave address ?
                JR      EQ,RevDdc2bAddr
                LD      PP,#11h
                CP      RBDR,#00h           ;Sub-address ?
                JR      NE,RandomAddr
                CLR     TBDR                  ;First data of EDID(#00h)
                CLR     EdidAddr
                AND     DCCR,#0FFh-(01<<DPND) ;Clear IIC.bus int. pending bit
                POP     PP
                SB0
                IRET
;
RandomAddr      LD      TBDR,@RBDR
                LD      EdidAddr,RBDR
                AND     DCCR,#0FFh-(01<<DPND) ;Clear IIC.bus int. pending bit
                POP     PP
                SB0
                IRET
;
RevDdc2bAddr    OR      IIC_FGR,#01<<RevA0match_FG ;Set slave address(#A0h) match flag

```

```

AND    IIC_FGR,#0FFh-(01<<Ddc2BTxmode_FG) ;Clear slave Tx address match flag
LD     PP,#11h
CLR    EdidAddr
AND    DCCR,#0FFh-(01<<DPND)           ;Clear IIC.bus int. pending bit
POP    PP
SB0
IRET
;
;
;-----
;---          DDC2Bi protocol processor          ---
;-----
DDC2BiPrss    CLR    PP
               CP     ByteCnt,#1           ;Check the Number of Tx Data
               JR     ULE,CountZero
               DEC   ByteCnt
;
               PUSH  R0
               LD    R0,NumTxdByte
               LD    TBDR,@R0           ;Load Tx Data to TBDR
               INC   NumTxdByte
               POP   R0
               JP    DdcSrvRtn
;
CountZero:    AND    DCSR0,#0FFh-(01<<DSTX) ;Return Slave Rx Mode
               JP    DdcSrvRtn
;
;
;*****
;/** Title : Mater transmitter processor
;/**
;/**
;*****
Master:       PUSH   IMR
               LD    IMR,#00000011B     ;Enable T0/T1/T2 int.
               EI
;
               TM    DCSR1,#01<<MISPLS
               JR    NZ,CommFail        ;Mispalced condition error
               TM    DCSR0,#01<<DAL
               JR    NZ,CommFail        ;Bus arbitration failed during communication
               TM    DCSR0,#01<<DRXACK
               JR    NZ,CommFail        ;Not received ACK
;
               PUSH  R0
               PUSH  R2
               PUSH  R3
               PUSH  R4
               PUSH  R5
               PUSH  R6
               CALL  TxdComPart          ;DDC2B+ communication (Monitor -> PC(Control jig))
               POP   R6
               POP   R5
               POP   R4
               POP   R3

```



```

;DB V_Contrast ;$12 ;13
;DB V_RGain ;16h ;14
;DB V_GGain ;18h ;15
;DB V_BGain ;1Ah ;16
;DB V_CoffBright ;10h ;17
;DB V_RCOff ;6Ch ;18
;DB V_GCOff ;6Eh ;19
;DB V_BCOff ;70h ;20
;DB V_ACL ;F6h ;21
;DB V_Degauss ;01h ;22
;
;
;
;*****
; Pre_Amp Data Transfer Format *****
;*****
; IIC_P_Amp_Start *****
; Slave Address :#0DCh *****
; Sub Address :Rgb_Drv_Tbl *****
; Data :@DataAddr *****
; IIC_P_Amp_Stop *****
;*****
;
;
;
Preamp_RGB_Drv: PUSH R0
                PUSH R1
                PUSH R2
                ;
                SB0
                CLR R2
Preamp_One_Drv CALL IICbus_Start
                LD R0,#0DCh ;KA5204 slave address(#0DCh)
                CALL P_Amp_Drv_Byte
                TM IIC_FGR,#01<<CommFail_FG
                JR NZ,KA2504Stop
;
;
                LD R0,R14 ;KA2504 sub-address
                CALL P_Amp_Drv_Byte
                TM IIC_FGR,#01<<CommFail_FG
                JR NZ,KA2504Stop
;
;
                LD R0,R15 ;KA2504 control data
                CALL P_Amp_Drv_Byte
KA2504Stop CALL IICbus_Stop
                TM IIC_FGR,#01<<CommFail_FG
                JR Z,PreAmpDrvRtn
                AND IIC_FGR,#0FFh-(01<<CommFail_FG)
                INC R2
                CP R2,#2 ;Error ?
                JR ULE,Preamp_One_Drv
;
PreAmpDrvRtn POP R2
             POP R1
             POP R0
             RET

```



```

                RET
;
;
;-----
;-----          SHIFT LEFT ONE BYTE          -----
;-----          Parameter : R10 : Shift Data   -----
;-----          R11 : Bit Counter             -----
;-----
;
P_Amp_Drv_Byte LD    R1,#8
ShiftLeft     RLC   R0
              JR    NC,Data_Low
              OR    P3,#01<<SDA
;
;
Gen_Clock     OR    P3,#01<<SCL                ;Clock Generation.
              NOP
              NOP
              AND   P3,#0FFh-(01<<SCL)
              DJNZ  R1,ShiftLeft              ;R1=DataCntr
;
ACK_Check     AND   P3CONH,#00111111B         ;SDA(P3.7)=Input
              CALL  DelayNop
              OR    P3,#01<<SCL                ;Acknowledge clock
              NOP
              NOP
              NOP
              TM    P3,#01<<SDA                ;Ack in ?
              JR    NZ,ACK_Fail
;
ACK_OK        OR    P3CONH,#11000000B         ;SDA(P3.7)=Output
              AND   P3,#0FFh-(01<<SCL)
              AND   IIC_FGR,#0FFh-(01<<CommFail_FG)
              RET
;
ACK_Fail      OR    P3CONH,#11000000B         ;SDA(P3.7)=Output
              AND   P3,#0FFh-(01<<SCL)
              OR    IIC_FGR,#01<<CommFail_FG
              RET
;
Data_Low      AND   P3,#0FFh-(01<<SDA)
              JR    GEN_Clock
;
CtrlPreAmp    CALL  TimeDelay
              CALL  TimeDelay
              CALL  CtrlPreDrv_Sub
;
              CALL  TimeDelay
              CALL  TimeDelay
              CALL  CtrlPreDrv_Sub
              RET
;
CtrlPreDrv_Sub TM    EepRom_FGR,#01<<SavedEep_FG
              JR    NZ,LdEepRGB
;
              LD    EP_CoffBRIGHT,#0C0h

```



```

LD      EP_CONTRAST,#0FFh
LD      EP_RGain,#3Fh
LD      EP_GGain,#39h
LD      EP_BGain,#32h
LD      EP_RCutoff,#8Ah
LD      EP_GCutoff,#80h
LD      EP_BCutoff,#0A6h
LD      EP_ACL,#76h
JR      CtrlKA2504
;
;LdEepRGB
LD      R14,#EPA_CoBr           ;Brightness data
CALL    ReadEepData
LD      EP_CoffBRIGHT,ReadData
INC     R14                     ;Contrast data
CALL    ReadEepData
LD      EP_CONTRAST,ReadData
INC     R14                     ;R-Gain
CALL    ReadEepData
LD      EP_RGain,ReadData
INC     R14                     ;G-Gain
CALL    ReadEepData
LD      EP_GGain,ReadData
INC     R14                     ;B-Gain
CALL    ReadEepData
LD      EP_BGain,ReadData
INC     R14                     ;R-CutOff
CALL    ReadEepData
LD      EP_RCutoff,ReadData
INC     R14                     ;G-CutOff
CALL    ReadEepData
LD      EP_GCutoff,ReadData
INC     R14                     ;B-CutOff
CALL    ReadEepData
LD      EP_BCutoff,ReadData
;
;
LD      R14,#EPA_ACL           ;ACL data
CALL    ReadEepData
LD      EP_ACL,ReadData
;
;CtrlKA2504
LD      R14,#PSubA_SBnBr       ;Brightness & Soft blanking
LD      R15,#80h
CALL    Preamp_RGB_Drv
SB1
LD      PWM5,EP_ACL           ;ACL
SB0
;
;RepeatPreamp
LD      R14,#PSubA_Cont
LD      R15,EP_CONTRAST
CALL    Preamp_RGB_Drv
LD      R14,#PSubA_CoBr
LD      R15,EP_CoffBRIGHT
CALL    Preamp_RGB_Drv
;

```



```

        PUSH R2
        CALL IICbus_Start          ;IIC.bus protocol start
        TM   Tda9109_FGR,#01<<TdaRead_FG
        JR   NZ,LdTdaSlave
        LD   R0,#0A0h              ;Random read= #A0h -> Slave -> S -> #A1h -> READ
        CLR  R2
        JR   ShiftStart
;
;
LdTdaSlave    LD   R0,#8Dh          ;#8C/8Dh=TDA9109 salve address
              LD   R2,#2
              AND  Tda9109_FGR,#0FFh-(01<<TdaRead_FG)
;
;
ShiftStart    LD   R1,#8            ;1byte
DataShift     RLC  R0                ;Rotate left SDADATA(=R0)
              JP   C,Data1
              AND  P3,#0FFh-(01<<SDA) ;Data 0
              OR   P3,#01<<SCL       ;Clock Generation.
              NOP
              NOP
SDA8bit       AND  P3,#0FFh-(01<<SCL)
              DJNZ R1,DataShift
              AND  P3CONH,#00111111B ;SDA(P3.7)=Input
              OR   P3,#01<<SCL       ;Acknowledge clock
              NOP
              NOP
              NOP
              TM   P3,#01<<SDA        ;Ack in ?
              JP   NZ,CommuniFail
              OR   P3CONH,#11000000B ;SDA(P3.7)=Output
              AND  P3,#0FFh-(01<<SCL)
;
;
              CP   R2,#02            ;SDACNTR=R2
              JR   UGE,DataRxStart
              CP   R2,#01
              JR   UGE,ReStartSignal
;
;
              LD   R0,R14            ;SDADATA <- R14
              INC  R2                ;SDACNTR++
              JR   ShiftStart
;
;
ReStartSignal CALL IICbus_Start
              LD   R0,#0A1h          ;SDADATA <- #0A1h
              INC  R2                ;SDACNTR++
              JR   ShiftStart
;
;
DataRxStart   AND  P3CONH,#00111111B ;SDA(P3.7)=Input
              NOP
;
;
RotateConti   LD   R1,#8
              OR   P3,#01<<SCL       ;SCL <- High
              TM   P3,#01<<SDA        ;Data value check
              JR   NZ,SetCF
              RCF
              JR   DataRotate

```

```

SetCF          SCF
DataRotate     RLC    R0
               AND   P3,#0FFh-(01<<SCL)      ;SCL <- Low
               DJNZ  R1,RotateConti          ;End of 1byte ?
               LD    ReadData,R0
               ;
No_ACK         OR     P3CONH,#11000000B       ;SDA(P3.7)=Output
               OR     P3,#01<<SDA             ;SDA <- High(ACK=High):communication end
               OR     P3,#01<<SCL             ;SCL <- High(9th clock)
               NOP
               NOP
GenlicStop     AND   P3,#0FFh-(01<<SCL)      ;SCL <- Low
               ALL   IICbus_Stop
               POP   R2
               POP   R1
               POP   R0
               RET
;
Data1          OR     P3,#01<<SDA
               OR     P3,#01<<SCL             ;Clock Generation.
               NOP
               NOP
               AND   P3,#0FFh-(01<<SCL)
               JP    SDA8bit
;
ReadEepData:   PUSH  R3
               PUSH  R4
               PUSH  R5
               PUSH  R6
               CLR   R3
ContiDataRead  CALL  Read1Byte
               CP    R3,#2
               JR    UGT,CmpReadData
               CP    R3,#1
               JR    UGT,Read3rd
               CP    R3,#0
               JR    UGT,Read2nd
               LD    R4,ReadData              ;R3=0
               XOR   R5,R4
               XOR   R6,R5
               INC   R3
               JR    ContiDataRead
Read2nd        LD    R5,ReadData              ;R3=1
               INC   R3
               JR    ContiDataRead
Read3rd        LD    R6,ReadData              ;R3=2
               INC   R3
               JR    ContiDataRead
;
CmpReadData   CP    R4,R5
               JR    EQ,RdDataRtn
               CP    R4,R6
               JR    EQ,RdDataRtn
    
```

```

CP      R5,R6
JR      EQ,RdDataRtn
TM      IIC_FGR,#01<<ReRead_FG
JR      NZ,RdDataRtn
OR      IIC_FGR,#01<<ReRead_FG
CLR     R3
JR      ContiDataRead
;
;
RdDataRtn  AND    IIC_FGR,#0FFh-(01<<ReRead_FG)
          POP    R6
          POP    R5
          POP    R4
          POP    R3
          RET
;
;
;
*****
;          Write 1Byte in EEPROM          *****
;          by S/W IIC.bus interface      *****
;
;
;
Write1Byte:  PUSH   R0
            PUSH   R1
            PUSH   R2
            CALL   IICbus_Start           ;IIC.bus protocol start
;
;
            TM     Tda9109_FGR,#01<<TdaWrite_FG
            JR     NZ,WriteTDA
            LD     R0,#0A0h              ;Write : #A0h -> Sub -> Data
            CLR    R2
            JR     WriteStart
;
;
WriteTDA     LD     R0,#8Ch              ;#8Ch=TDA9109 salve address
;
;
WriteStart  CLR    R2
TxDataShift LD    R1,#8
            RLC    R0
            JR     C,TxData1
            AND    P3,#0FFh-(01<<SDA)   ;Data 0
            AND    P3,#0FFh-(01<<SDA)   ;Data 0
            OR     P3,#01<<SCL          ;Clock Generation.
            NOP
            NOP
            AND    P3,#0FFh-(01<<SCL)
Tx1Byte     DJNZ   R1,TxDataShift       ;Acknowledge check
;
;
            AND    P3CONH,#00111111B   ;SDA(P3.7)=Input
            OR     P3,#01<<SCL          ;Acknowledge clock
            NOP
            NOP
            NOP
            TM     P3,#01<<SDA          ;Ack in ?
            JR     NZ,CommuniFail

```

```

NextBWrite      OR    P3CONH,#11000000B    ;SDA(P3.7)=Output
                AND    P3,#0FFh-(01<<SCL)
                CP     R2,#2
                JR     UGE,EepWriteEnd
                CP     R2,#1
                JR     UGE,DataTxStart
                LD     R0,R14                ;SDADATA <- R14(Address)
                INC    R2                    ;SDACNTR++
                JR     WriteStart
;
DataTxStart     LD     R0,R15                ;SDADATA <- R15(Data)
                INC    R2                    ;SDACNTR++
                JR     WriteStart
;
TxData1        OR     P3,#01<<SDA
                OR     P3,#01<<SCL                ;Clock Generation.
                NOP
                NOP
                AND    P3,#0FFh-(01<<SCL)
                AND    P3,#0FFh-(01<<SDA)
                JR     Tx1Byte
;
CommuniFail    OR     P3CONH,#11000000B    ;SDA(P3.7)=Output
                OR     IIC_FGR,#01<<CommFail_FG
                JP     GenlicStop
EepWriteEnd    AND    IIC_FGR,#0FFh-(01<<CommFail_FG)
                JP     GenlicStop
;
;*****
;*****      Write 4Byte in EEPROM      *****
;*****      by S/W IIC.bus interface    *****
;*****
;
WriteNByte:    PUSH   R0
                PUSH   R1
                PUSH   R2
                CALL   IICbus_Start        ;IIC.bus protocol start
;
;
                LD     R0,#0A0h            ;Page write= #A0h->Word->D1>D2->D3->D4->STOP
                LD     R2,#6                ;Word addr -> D1 -> D2 -> D3 -> D4
NextTx1Byte    LD     R1,#8
TxNDataShift   RLC    R0
                JR     C,TxNData1
                AND    P3,#0FFh-(01<<SDA)    ;Data 0
                OR     P3,#01<<SCL            ;Clock Generation
                NOP
                NOP
                AND    P3,#0FFh-(01<<SCL)
TxN1Byte       DJNZ   R1,TxNDataShift
;
;
                OR     P3,#01<<SCL            ;Acknowledge clock
                AND    P3CONH,#00111111B    ;SDA(P3.7)=Input
                TM     P3,#01<<SDA            ;Ack in ?
                JR     NZ,CommuniFail        ;Fail

```

```

        OR    P3CONH,#11000000B           ;SDA(P3.7)=Output
        AND   P3,#0FFh-(01<<SCL)
        LD    R0,R14                       ;SDADATA <- R14(Address)
        CP    R2,#5
        JR    ULE,DataTxNStart
        DEC   R2
        JR    NextTx1Byte
;
DataTxNStart LD    R0,R15                       ;SDADATA <- R15(Data=#0FFh)
            DJNZ  R2,NextTx1Byte
            JR    EepWriteEnd                 ;Stop condition
;
TxNData1    OR    P3,#01<<SDA
            OR    P3,#01<<SCL                 ;Clock Generation.
            NOP
            NOP
            AND   P3,#0FFh-(01<<SCL)
            AND   P3,#0FFh-(01<<SDA)
            JR    TxN1Byte
;
WriteCycle: SB0
            CALL  Write1Byte
            TM    Tda9109_FGR,#01<<TdaWrite_FG
            JR    NZ,ChkReWrite
            CLR   DLY1mSR
            CALL  WriteWait                   ;Check write cycle(Typ=6ms, Max=10ms)
;
ChkReWrite  TM    IIC_FGR,#01<<ReWrite_FG    ;ReWrite ?
            JR    NZ,ClrReWrite
            TM    IIC_FGR,#01<<CommFail_FG
            JR    Z,ClrReWrite               ;WrCycleRtn
            OR    IIC_FGR,#01<<ReWrite_FG
            JR    WriteCycle
;
ClrReWrite  AND   IIC_FGR,#0FFh-(01<<ReWrite_FG)
            AND   IIC_FGR,#0FFh-(01<<CommFail_FG)
WrCycleRtn AND   Tda9109_FGR,#0FFh-(01<<TdaWrite_FG)
            RET
;
;
;
;
;*****
;/** Title :      Waiting for write time          ***
;*****
;
WriteWait:  PUSH  R0                           ;Check write cycle
            PUSH  R1
IICbusRestart CALL  IICbus_Start                 ;IIC.bus protocol start
;
;
SlaveA0h   LD    R0,#0A0h
            LD    R1,#8                         ;1byte
            RLC  R0                             ;Rotate left SDADATA(=R0)
            JP    C,ACKData1
            AND   P3,#0FFh-(01<<SDA)           ;Data 0

```

```

OR    P3,#01<<SCL                ;Clock Generation.
NOP
NOP
TxA0hData  AND  P3,#0FFh-(01<<SCL)
DJNZ  R1,SlaveA0h
AND    P3CONH,#00111111B        ;SDA(P3.7)=Input
OR     P3,#01<<SCL                ;Acknowledge clock
NOP
NOP
NOP
TM     P3,#01<<SDA                ;Ack in ?
JR     NZ,RechkWrCycle
EndWrCycle AND  P3,#0FFh-(01<<SCL)
OR     P3CONH,#11000000B        ;SDA(P3.7)=Output
CALL  IICbus_Stop
POP   R1
POP   R0
RET

;
;RechkWrCycle  CP    DLY1mSR,#10                ;Over 10ms ?
JR     UGE,EndWrCycle
AND    P3,#0FFh-(01<<SCL)
OR     P3CONH,#11000000B        ;SDA(P3.7)=Output
CALL  IICbus_Stop
JR     IICbusRestart

;
;ACKData1     OR    P3,#01<<SDA
OR     P3,#01<<SCL                ;Clock Generation.
NOP
NOP
AND    P3,#0FFh-(01<<SCL)
JR     TxA0hData

;
; //10ms delay routine
;
TimeDelay    PUSH  R4
PUSH  R5
LD     R4,#9
WaitLoop0   LD     R5,#250                ;Write-waiting time=10ms
WaitLoop1   NOP
NOP
ContiDec    DJNZ  R5,WaitLoop1
DJNZ  R4,WaitLoop0
POP   R5
POP   R4
RET

;
;-----
;
; < EDID Data >
DDCDUMP:    LD     PP,#11h
LDW    RR2,#DDCData
LD     R4,#00h                ;R4=Address(00h-7Fh:128-Byte)

```



```

WriteEDID      LDCI   R5,@RR2                ;R5=Data
               LD     @R4,R5
               INC   R4
               CP    R4,#80h
               JR    ULT,WriteEDID
               CLR   PP
               RET

;-----
DDCData       DB    00h,0FFh,0FFh,0FFh,0FFh,0FFh,0FFh,00h
               DB    4CH,2DH,70H,4DH,00H,00H,00H,00H
               DB    0AH,05H,01H,00H,2EH,1FH,17H,71H,0E8H,07H,65H,0A0H,57H,46H,9AH,26H
               DB    10H,48H,4CH,0FFH,0FEH,00H,01H,01H,01H,01H,01H,01H,01H,01H,01H,01H
               DB    01H,01H,01H,01H,01H,01H,68H,29H,00H,80H,51H,00,24H,40H,30H,90H
               DB    33H,00H,32H,0E6H,10H,00H,00H,18H,01H,01H,01H,01H,01H,01H,01H,01H
               DB    01H,01H,01H,01H,01H,01H,01H,01H,01H,01H,01H,01H,01H,01H,01H,01H
               DB    01H,01H,01H,01H,01H,01H,01H,01H,01H,01H,01H,01H,01H,01H,01H,01H
               DB    01H,01H,01H,01H,01H,01H,01H,01H,01H,01H,01H,01H,01H,00H,0BAH
;
;
; < EDID Data >
EDIDtoRAM:    PUSH  R0                ;Write EDID(128-btye) to EEPROM page0
               PUSH  R1
               PUSH  R2
               PUSH  PP
               LD    PP,#11h
               LD    R4,#00h          ;R4=RAM address(50h-CFh:128-Byte)
               LD    R14,#00h        ;R14=Start address of EDID
;
;
               CALL  IICbus_Start    ;IIC.bus protocol start
;
;
               LD    R0,#0A0h        ;Sequential read operation
               CLR   R2              ; <= #A0h(Page0) -> Word -> S -> #A1h -> EAD....
Shift1Byte    LD    R1,#8            ;1byte
RotateData    RLC   R0              ;Rotate left SDADATA(=R0)
               JP    C,SeqData1
               AND   P3,#0FFh-(01<<SDA) ;Data 0
               OR    P3,#01<<SCL      ;Clock Generation.
               NOP
               NOP
               AND   P3,#0FFh-(01<<SCL)
Chk1ByteEnd   DJNZ  R1,RotateData
               AND   P3CONH,#11110011B ;SDA(P3.5)=Input
               OR    P3,#01<<SCL      ;Acknowledge clock
               NOP
               NOP
               NOP
               TM    P3,#01<<SDA      ;Ack in ?
               JP    NZ,CommuniFail
               OR    P3CONH,#00001100B ;SDA(P3.5)=Output
               AND   P3,#0FFh-(01<<SCL)
;
;
               CP    R2,#02          ;SDACNTR=R2
               JR    UGE,DataRx

```

```

CP      R2,#01
JR      UGE,ReStart
LD      R0,R14          ;SDADATA <- R14
INC     R2              ;SDACNTR++
JR      Shift1Byte
;
;
ReStart CALL IICbus_Start
LD      R0,#0A1h       ;SDADATA <- #0A1h
INC     R2              ;SDACNTR++
JR      Shift1Byte
;
;
DataRx  AND P3CONH,#11110011B ;SDA(P3.5)=Input
NOP
;
DataRead LD R1,#8
OR      P3,#01<<SCL    ;SCL <- High
TM      P3,#01<<SDA    ;Data value check
JR      NZ,SetCFlag
RCF
JR      RxRotate
SetCFlag SCF
RxRotate RLC R0
AND     P3,#0FFh-(01<<SCL) ;SCL <- Low
DJNZ   R1,DataRead     ;End of 1byte ?
;
;
OR      P3CONH,#00001100B ;SDA(P3.5)=Output
AND     P3,#0FFh-(01<<SDA) ;ACK generation
OR      P3,#01<<SCL      ;SCL <- High(9th clock)
NOP
NOP
AND     P3,#0FFh-(01<<SCL) ;SCL <- Low
LD      @R4,R0          ;R4=50h~CFh, R0=Read data
INC     R4
CP      R4,#80h        ;00~7Fh : EDID
JR      ULE,DataRx
POP     PP
JP      No_ACK         ;Communication stop
;
;
SeqData1 OR P3,#01<<SDA
OR      P3,#01<<SCL    ;Clock Generation.
NOP
NOP
AND     P3,#0FFh-(01<<SCL)
JP      Chk1ByteEnd
;
;
;
*****
***** TDA9109 Initializing *****
*****
InitialKB2511: CLR R14 ;R14=Sub address
Conti2511Ini LDW RR2,#TdaFRunTbl
ADD R3,R14
LDC R15,@RR2 ;R15=Data
OR Tda9109_FGR,#01<<TdaWrite_FG

```

```

        CALL WriteCycle
        INC R14
        CP R14,#0Fh ;00-0Fh ?
        JR ULE,Conti2511Ini
        RET
;
;
; // KB2511 Default Data
; H_Duty(40) / H Posi(40) / Free Run(00) / HFfocus(90)
; HFfocusKey(10) / Vramp(C0) / VPosi(40) / S Correct(20)
; C Correct(20) / Keystone(A0) / EW Size(C0) / B Plus(40)
; V Moire(00) / Side Pin(A0) / Parallel(A0) / VFfocus(20)
;
;
TdaFRunTbl DB 4Bh,40h,15h,9Fh,14h,0C0h,40h,16h ;9109(0-7)
            DB 32h,0A0h,0C0h,30h,00h,0A0h,0A0h,20h ;48KHz free running
;
; //*****
; //***** The H/W IIC Read/Write Programming Tip *****
; //*****
;
Rxmode equ 6 ;IIC Receive Mode Flag
RxACK equ 0 ;Acknowledgement Check Flag
;
;
IIC_FGR EQU 10h ;IIC Status Control Check Register
CommFail_FG equ 3 ;IIC Communication Fail Check Flag
EepromWri_FG equ 2 ;Eeprom Writing Flag
IICRead_FG equ 1 ;IIC Reading Flag
RW_End_FG equ 0 ;IIC Read/Write Ending Check Flag
;
;
RxTemp EQU 20h ;Temporary Receiving Data Register
TxTemp EQU 21h ;Temporary Transmitting Data Register
IICCNTR EQU 22h ;IIC Read/Write Counter Register
Sub_Addr EQU 23h ;Slave Device Sub-address
Trans_Data EQU 80h ;Transmitting Data
Rx_Data EQU 90h ;Receiving Data
;
; //*****
; //***** < N-Byte Write Program > *****
; //*****
; //S(Start) -> A0h -> SubAddress -> N-ByteData -> P(Stop)
Write_NByte: LD Sub_Addr,#10h ;Sub_Addr = Subaddress
            LD Trans_Data,#01h ;Trans_Data = Tx Data(8-Byte)
            LD Trans_Data+1,#23h
            LD Trans_Data+2,#45h
            LD Trans_Data+3,#67h
            LD Trans_Data+4,#89h
            LD Trans_Data+5,#0Abh
            LD Trans_Data+6,#0CDh
            LD Trans_Data+7,#0Efh
            LD TxTemp,#80h
            OR IIC_FGR,#01<<EepromWri_FG ;Enable Eeprom Write
            AND IIC_FGR,#0FFh-(01<<IICRead_FG)
            CALL Write_Cycle
            RET

```

```

;
Write_Cycle:      SB1          ;Select Bank 1
                  LD          DCON,#08h      ;Enable Prebuffer Register
                  LD          DCCR,#00100101b ;Enable IIC Interrupt
                  OR          DCSR0,#11010000b ;Master Tx Mode & IIC Module Enable
                  LD          TBDR,#0A0h     ;#0A0h=Slave Device Address
                  OR          DCSR0,#00100000b ;IIC Start Signal Generation
                  SB0          ;Select Bank 0
;
IIC_Write:       TM          IIC_FGR,#01<<RW_End_FG
                  JR          NZ,Write_Rtn
                  TM          IIC_FGR,#01<<CommFail_FG ;Communication Fail Check
                  JR          Z,IIC_Write
                  CLR         IICCNTR        ;Clear Tx Counter
                  JR          W_Rtn
;
Write_Rtn        AND         IIC_FGR,#0FFh-(01<<RW_End_FG)
                  TM          IIC_FGR,#01<<EepromWri_FG ;Eeprom Writing Check
                  JR          Z,W_Rtn
                  CALL        WriteWait      ;Eeprom Write Waiting Time
;
W_Rtn            AND         IIC_FGR,#0FFh-(01<< CommFail_FG)
                  AND         IIC_FGR,#0FFh-(01<<EepromWri_FG)
                  RET
;
WriteWait:       PUSH        R4
                  PUSH        R5
                  LD          R4,#15        ;Write-waiting time=10ms
W_Loop0          LD          R5,#250       ;at Fosc=12MHz
W_Loop1          NOP
                  NOP
                  NOP
                  DJNZ        R5,W_Loop1
Conti_Dec        DJNZ        R4,W_Loop0
                  POP         R5
                  POP         R4
                  RET
;
;*****
;/** The IIC-Bus Interrupt Routine for H/W Read/Write **/
;*****
;
IICBUS_INT:     SB1          ;Select Bank 1
                  TM          DCSR0,#01<<RxACK ;ACK Check
                  JR          NZ,Com_Fail
;
                  CP          IICCNTR,#0
                  JR          EQ,WriteAddr
;
                  CP          IICCNTR,#1
                  JR          EQ,WriteData
;
                  TM          DCSR0,#01<<RxMode ;Is It Read/Write Mode?

```



```

;
;
;S(Start) -> A0h -> Sub Address -> RS(Restart) -> A1h -> N-Byte Read -> P(Stop)
Read_Mode:      AND DCSR0,#11011111b      ;Stop Signal Output
                JR IIC_Rtn
                LD TBDR,#0A1h              ;Read Mode Slave Address
                INC IICCNTR                 ;Change to Read Mode
                OR DCSR0,#10000000b
                AND DCSR0,#10111111b      ;Master Receive Mode
                OR DCSR0,#00100000b      ;IIC Restart Signal Output
                JR IIC_Rtn
;
;
;*****
;***** < N-Byte Read Program > *****
;*****
;S(Start) -> A0h -> Sub Address -> RS(Restart) -> A1h -> N-Byte Read -> P(Stop)
Read_1Byte:     LD Sub_Addr,#10h           ;Slave Device Subaddress
                LD RxTemp,#90h
                OR IIC_FGR,#01<<IICRead_FG ;Read Mode Flag Set
                CALL ReadCycle
                RET
;
;
ReadCycle:      SB1                         ;Select bank 1
                LD DCON,#08h                ;Enable Prebuffer Register
                LD DCCR,#10100101b          ;Enable IIC-Bus Interrupt
                OR DCSR0,#11010000b        ;Master Tx Mode & IIC Module Enable
                LD TBDR,#0A0h              ;#0A0h=Slave Device Address
                OR DCSR0,#00100000b        ;IIC Start Signal Generation
                SB0                         ;Select Bank 0
;
;
IIC_Read:      TM IIC_FGR,#01<<RW_End_FG
                JR NZ,R_Rtn
                TM IIC_FGR,#01<<CommFail_FG ;IIC Comm. Fail Check
                JR Z,IIC_Read
                CLR IICCNTR
;
;
R_Rtn:         AND IIC_FGR,#0FFh-(01<<RW_End_FG)
                AND IIC_FGR,#0FFh-(01<<CommFail_FG)
                AND IIC_FGR,#0FFh-(01<<IICRead_FG)
                AND IIC_FGR,#0FFh-(01<<EepromWri_FG)
                RET
;
;

```

```

#include "S3C863A.h"
#include "insam8.h"

// type definition
typedef unsigned char usch;
typedef unsigned int usin;

//*****
// macro definition
// *****
#define BitTru(sfr,bit) (sfr & (1<<bit))
#define BitFals(sfr,bit) (!(sfr & (1<<bit)))
#define BitSet(sfr,bit) (sfr |= (1<<bit))
#define BitClr(sfr,bit) (sfr &= ~(1<<bit))
#define BitTgg(sfr,bit) (sfr ^= (1<<bit))

// *****
// interrupt vector
// *****
#define t2intv_int (0xee)
#define t1cap_int (0xf6)
#define ddcnfa_int (0xf8)
#define t0ovf_int (0xfa)
#define vsync_int (0xfc) // Timer0 capture interrupt

// *****
// Port function definition
// *****
// port0
#define MUTEPORT 0
#define STBYPORT 0
#define SUSPNDPORT 1
#define OFFPORT 2
#define LEDPORT 3

// port3
#define DEGAUSPORT 0
#define CS1 3
#define CS2 4
#define CS3 5
#define SCL 6
#define SDA 7

```

```

// *****
// Control register definition
// *****
// sync-processor part
// SYNCON0
#define HIPORT      7           // Hsync input selection (or Csync-I)
#define HBLKEN      6           // Enable Hsync blanking
#define UDCNTOUT    5           // VsyncI port selection (or 5-bit compare output)
// SYNCON1
#define CLMP1       7           // Clamp generation
#define CLMP0       6
#define BPORCH      5           // Back porch clamp signal (or front porch)
#define CLMPPOL     4           // Clamp signal polarity
#define INVTVPOL    3           // Invert Vsync-O signal (or by-pass)
#define INVTHPOL    2           // Invert Hsync-O signal (or by-pass)
#define POSIVPOL    1           // Positive Vsync-I polarity (or negative)
#define POSIHPOL    0           // Positive Hsync-I polarity (or negative)
// SYNCON2
#define UNMIXHPERI  7           // Unmixed Hsync periods
#define CNT5SRC     5           // 5-bit counter source
#define DISPSEUDO   4           // Disable pseudo sync
#define DISSYNCOUT  3           // Inhibit sync signal output
#define SOGI        2           // SOG detection
#define COMPSYNC    1           // Composite sync detection
#define SYNCSRC     1
#define VDD3VSEL    0           // When Vdd=3V

// DDC(IIC) part
// DCON (DDC Control Reg.)
#define PREBUFEN    3           // Enable pre-buffer data register
#define DDC1MAT     2           // DAR0 address match
#define DDC1EN      1           // Enable DDC1 module
#define SCLF        0           // Detect falling edge of SCL line
// DCCR (DDC Clock Control Reg.)
#define DTXACKEN    7           // Enable transmit acknowledge
#define DCLKSEL     6           // Tx clock source selection
#define ENDDCINT    5           // Enable DDC module interrupt
#define DDCPND      4           // DDC module interrupt pending
// DCSR0 (DDC Control/Status Reg.0)
#define MST         7           // 1=master, 0=slave mode
#define TXD         6           // 1=transmit, 0=receive mode
#define BUSSTSP     5           // 1=bus busy or start signal
#define ENDDC       4           // DDC module enable
#define AL          3           // Arbitration lose
#define DATAFLD    2           // 1=data field, 0=address field
#define NACK        0           // Not received acknowledge
// DCSR1 (DDC Control/Status Reg.1)
#define STOPDET     2           // Stop condition detection
#define BUFEMT      1           // Data buffer empty
#define BUFFUL      0           // Data buffer full

```



```

// Timer part
// BTCON (Watch-dog timer)
#define WDCLR          1                // Clear Basic timer counter

// TM0CON (Timer0)
#define CAPFALL        4                // Capture on falling mode
#define T0CLR          3                // Clear Timer0 counter
#define T0OVFINT       2                // Enable Timer0 overflow interrupt
#define T0CAPINT       1                // Enable Timer0 capture interrupt
#define T0CAPVS        0                // Capture source selection(1:Vsync, 0:TM0CAP)

// TM1CON (Timer1)
#define T1CAPVS        7                // Capture source selection(1:Vsync, 0:T2 interval)
#define T1CAPFLEG      6                // VsyncO capture edge selection
#define T1CAPINT       5                // Enable Timer1 capture
#define T1PND          4                // Timer1 pending bit
#define T1CLR          3                // Clear Timer1 counter
#define T1OVFINT       2                // Enable Timer1 overflow interrupt

//TM2CON (Timer2)
#define T2INT          2                // Enable Timer2 interrupt

```

```

/*****

```

```

Definition of Slave Address

```

```

*****/

```

```

#define DEFL          0x8C              //; Deflection processor
#define EEP           0xA0              //; EEPROM
#define PREAMP        0xDC              //; Video Amplifier
#define OSD           0xBA              //; OSD processor

```

```

// *****/

```

```

// General Registers definition

```

```

// *****/

```

```

//
#define bit0 0

```

```

struct reg00 {
    usin keydetect    : 1;
    usin mvaccel      : 1;
    usin chkhfreq     : 1;
    usin keyscan      : 1;
    usin degaussing   : 1;
    usin keyactive    : 1;
    usin chksvtime    : 1;
}; // time_fgr

```

```

struct reg01 {
    usin pwronmute    : 1;
    usin selfrasin    : 1;
    usin recall       : 1;

```

```

        usin userdel       : 1;
        usin powerdown    : 1;
        usin overrange    : 1;
        usin vsyncdet     : 1;
}; // status_fgr

struct reg02 {
        usin ddc2b        : 1;
        usin ddccmd       : 1;
        usin ddcciTxd     : 1;
}; // ddc_fgr

struct reg03 {
        usin novsync      : 1;
        usin nohsync      : 1;
        usin nohvsync     : 1;
        usin dpmsstart    : 1;
        usin dpmscond     : 1;
}; // dpms_fgr

struct reg04 {
        usin dataread     : 1;
        usin datasave     : 1;
        usin usedeeprom   : 1;
        usin nearhfreq    : 1;
        usin endmodesrch  : 1;
        usin nofactmode   : 1;
}; // eeprom_fgr

//*****
//
code usch edid_tbl[0x80]= {
    0x00,0xff,0xff,0xff,0xff,0xff,0xff,0x00,
    0x4c,0x2d,0x70,0x4d,0x00,0x00,0x00,0x00,
    0x0a,0x05,0x01,0x00,0x2e,0x1f,0x17,0x71,
    0xe8,0x07,0x65,0xa0,0x57,0x46,0x9a,0x26,
    0x10,0x48,0x4c,0xff,0xfe,0x00,0x01,0x01,
    0x01,0x01,0x01,0x01,0x01,0x01,0x01,0x01,
    0x01,0x01,0x01,0x01,0x01,0x01,0x68,0x29,
    0x00,0x80,0x51,0x00,0x24,0x40,0x30,0x90,
    0x33,0x00,0x32,0xe6,0x10,0x00,0x00,0x18,
    0x01,0x01,0x01,0x01,0x01,0x01,0x01,0x01,
    0x01,0x01,0x01,0x01,0x01,0x01,0x01,0x01,
    0x01,0x01,0x01,0x01,0x01,0x01,0x01,0x01,
    0x01,0x01,0x01,0x01,0x01,0x01,0x01,0x01,
    0x01,0x01,0x01,0x01,0x01,0x01,0x01,0x01,
    0x01,0x01,0x01,0x01,0x01,0x01,0x00,0xba
};

```

```

#include <S3C863A.h>
#include <insam8.h>
#include <define.h>

#define COMP_RANGE 10 // KHz (tolerance of composite-sync)
#define SEP_RANGE 5 // KHz
#define NoH_RANGE 10 // under 10KHz
#define HF_MIN 28 // normal hsync range=28KHz-96KHz
#define HF_MAX 96
#define VF_MIN 40 // normal vsync range=40Hz-160Hz

#define VF_MAX 160

usch delta_hf; // output to Timer2 interrupt routine
usin hfreq_save; // output
usch vfreq_save;
extern usin hf_new; // from Timer1(sep-sync)/Timer2(comp-sync) interrupt
extern usin vcount; // from Vsync interrupt
extern usch novsynctime; // from Vsync interrupt
extern usch tdpms100ms;

extern struct reg00 time_fgr;
extern struct reg01 status_fgr;
extern struct reg03 dpms_fgr;
extern struct reg04 eeprom_fgr;

static usin hf_old;
static usch vf_new;
static usch vf_old;
static usch tmute10ms;

static struct reg0 {
    usin stbvfreq : 1;
    usin stbfreq : 1;
    usin ddchighspd : 1;
    usin : 3; // not used
    usin posihsync : 1;
    usin positivsync : 1;
} syncp_fgr0, *psyncp_fgr0;

static struct reg1 {
    usin scrnmute : 1;
    usin muterelse : 1;
    usin psyncout : 1;
    usin endmute : 1;
    usin normmute : 1;
    usin quitpsync : 1;
} syncp_fgr1;

```

```

extern void selfraster_end(void);           // 'main.c'
extern void osd_off(void);                 // 'osd_drv.c'
extern void deflect_ini(void);             // 'initial.c'
extern void ctrl_preamp(void);             // 'initial.c'
extern void timedelay_ms10(void);         // 'initial.c'
extern void write_swiiic(usch, usch, usch); // 'swiic.c'

usch chk_hnosync_range(void);
usch chk_hf_change(void);
usch chk_pol_change(void);
usch chk_vf_change(void);
usch chk_hv_range(void);
void pseudosync_gen(void);
void chng_vsync_src_sep(void);
void chng_vsync_src_comp(void);
void mute_release(void);
void quit_psync_out(void);
void s_correct(void);
void h_lin_out(void);
void update_hsync(usin hfnew);
void stable_hsync(usin hfave);
void pola_update(void);
void set_posi_pola(void);
void chkmutetime(void);

//
// Strat sync-processor function
void syncprocessor(void)
{
    psyncp_fgr0 = &syncp_fgr0;

    // check hsync frequency & polarity
    if(chk_pol_change())
        pseudosync_gen();
    else if(time_fgr.chkfreq==1) {           // 10ms flag
        time_fgr.chkfreq=0;
        chkmutetime();
        if(chk_hnosync_range() || chk_hf_change()) // video mute
            pseudosync_gen();
    }
    // check vsync source, frequency & status
    // Vsync freq. is under 40Hz
    if(novsynctime>25) {
        novsynctime=0;
        dpms_fgr.novsync=1;
        if(dpms_fgr.nohsync==1)
            dpms_fgr.nohvsync=1;
        if(BitFals(SYNCON2,COMPSYNC))
            chng_vsync_src_sep();           // Change Vsync input source to Vsync-I port
        else
            chng_vsync_src_comp();         // Vsync-I port -> 5-bit U/D counter output
        pseudosync_gen();
    }
}

```

```

}
// Vsync freq. is over 40Hz
else if(status_fgr.vsyncdet==1) {
    dpms_fgr.novsync=0;
    dpms_fgr.nohvsync=0;
    status_fgr.vsyncdet=0;
    if(BitTru(SYNCON2,SOGI)) {
        BitSet(SYNCON1,BPORCH);
        BitClr(SYNCON0,HIPORT);
    }
    // Calculate Vsync freq.
    if(vcount)
        // 'vcount' is a interval time
        // vcount(time)= 2us * num. of Timer1 counter
        // freq=1/time
        vf_new=500000/vcount;
    if(chk_vf_change() || chk_hv_range())
        // change rate of Vfreq > 1Hz, or Over frequency range
        pseudosync_gen();

    // Normal H/Vsync signal input
    // test condition of video-mute release
    else if(syncp_fgr1.muterelse==1)
        ;
    // Video-mute processing routine
    else if(syncp_fgr1.endmute==1)
        // 'endmute' flag is set after 'quit_psync_out()'
        // and if mute-delay time is passed.
        mute_release();
    else if(syncp_fgr0.stbhfreq==1
        && syncp_fgr0.stbvfreq==1)
        // output : pseudo-sync -> input sync-signal
        quit_psync_out();
}
}

// *****
// This function is executed when
// 1. mode change
// 2. no/over sync input
// 3. polarity change
// *****
void pseudosync_gen(void)
{
    if(status_fgr.selfrasin==0
        && syncp_fgr1.psyncout==0){
        // self-raster mode or already mute processing ?

        BitClr(P0,MUTEPORT);
        BitSet(SYNCON1,POSIVPOL);
        BitSet(SYNCON1,POSIHPOL);
        BitClr(SYNCON2,DISPSEUDO);
        BitSet(P3,CS1);
        :
        // active low
        // pseudo-Vsync polarity is positive
        // pseudo-sync gen.
        // control s-correction cap.(free run=48KHz)
        osd_off();
        // OSD window off
    }
}

```

```

    syncp_fgr1.scrnmute=1;
    syncp_fgr1.psyncout=1;
    syncp_fgr1.quitpsync=0;
    syncp_fgr1.muterelse=0;
    syncp_fgr1.endmute=0;
    syncp_fgr0.stbvfreq=0;
    syncp_fgr0.stbhfreq=0;
    eeprom_fgr.datasave=0;
    time_fgr.chksvtime=0;
}
}

// Change Vsync input source : Vsync-I port <-> 5-bit up/down counter output
//
void chng_vsync_src_sep(void)
{
    BitClr(SYNCON0,UDCNTOUT);           // Change Vsync input source to Vsync-I port
    BitClr(SYNCON0,HBLKEN);            // Disable Hsync blanking
    BitSet(TM1CON,T1CAPINT);           // Enable Timer1 capture mode
}

void chng_vsync_src_comp(void)
{
    BitSet(SYNCON0,UDCNTOUT);           // Input source: Vsync-I -> 5-bit u/d counter output
    BitClr(TM1CON,T1CAPINT);           // Disable T1 capture interrupt
                                        // Change calculation method of Hsync frequency
                                        // => 10ms interval -> sum(each 1ms counter by 10)

    BitClr(SYNCON2,COMPSYNC);          // Clear latch status of 5-bit u/d couner
    BitClr(SYNCON2,SOGI);              // Clear SOG detection counter
}

// after stable sync signal input
//
void quit_psync_out(void)
{
    pola_update();
    set_posi_pola();                   // setting positive polarity for H/Vsync-O
    if(syncp_fgr1.quitpsync==0) {
        BitSet(SYNCON2,DISPSEUDO);    // quit pseudo-sync gen.
        syncp_fgr1.psyncout=0;
        syncp_fgr1.quitpsync=1;

        s_correct();
        h_lin_out();

        eeprom_fgr.dataread=1;         // loading PWM data from EEPROM in 'eeprom_rdwr.c'

        if(status_fgr.pwronmute==1) { // power-on muting time:2sec
            syncp_fgr1.normmute=1;    // load data -> 300ms delay -> mute release
            tmute10ms=0;
        }
    }
}
}

```

```

// after stable sync signal input & video-mute waiting & DAC output
void mute_release(void)
{
    syncp_fgr1.scrnmute=0;
    //syncp_fgr1.endmute=0;
    syncp_fgr1.muterelse=1;
    BitSet(P0,MUTEPORT);           // release mute-port(P0.0)
}

usch hfkhz_load(usin hfreq)
{
    usin hfreq_khz;
    hfreq_khz=hfreq;
    hfreq_khz &= 0x03ff;           // hsync range is under 100KHz
    hfreq_khz /= 10;
    return hfreq_khz;
}

// *****
// Checking the condition of no Hsync signal
// *****
usch chk_hnosync_range(void)
{
    usch hf_khz;
    hf_khz=hfkhz_load(hf_new);
    if(hf_khz < NoH_RANGE) {
        // under 10KHz
        dpms_fgr.nohsync=1;
        return 1;
    }
    else {
        dpms_fgr.nohsync=0;
        dpms_fgr.nohvsync=0;
        return 0;
    }
}

// *****
// Check changing rate of Hsync frequency
// Tolerance of stable hsync signal
// is under 500Hz(seperate-sync)
// *****
usch chk_hf_change(void)
{
    usin hfreq, hf_ave, temp;
    hf_ave=(hf_new+hf_old)/2;
    hf_old=hf_new;
    delta_hf=hf_ave/10;           // KHz
    _DI();
    temp=hfreq_save&0x03ff;
}

```

```

    hfreq=(temp>=hf_new)? (temp-hf_new):(hf_new-temp)
    _EI(); // always positive value
    if((BitTru(SYNCON0,UDCNTOUT) && (hfreq>COMP_RANGE)) {
        update_hsync(hfreq); // update freq. of hsync input signal
        return 1;
    }
    else if((BitFlas(SYNCON0,UDCNTOUT) && (hfreq>SEP_RANGE)) {
        update_hsync(hfreq);
        return 1;
    }
    else
        stable_hsync(hf_ave); // stable state of hsync input
        return 0;
    }
}
//
void update_hsync(usin hfnew)
{
    syncp_fgr0.stbhfreq=0;
    hfreq_save &= 0xc000; // bit 15,14=polarity
    hfreq_save |= hfnew;
}
//
void stable_hsync(usin hfave)
{
    syncp_fgr0.stbhfreq=1;
    hfreq_save &= 0xc000;
    hfreq_save |= hfave;
}

// *****
// Check changing rate of Vsync frequency
// Tolerance of stable Vsync signal is under 1Hz
// *****
usch chk_vf_change(void)
{
    usch temp;
    vf_old=vf_new;
    vfreq_save=vf_new;

    temp=(vf_old>=vf_new)? (vf_old-vf_new):(vf_new-vf_old);
    if(temp>1) { // temp=|vf_old-vf_new|
        syncp_fgr0.stbvfreq=0;
        return 1;
    }
    else { // stable Vsync signal
        syncp_fgr0.stbvfreq=1;
        return 0;
    }
}

```



```

// *****
// Checking polarity change
// *****
usch chk_pol_change(void)
{
    if(syncp_fgr1.psyncout==0) {
        if(syncp_fgr0.posivsync != BitTru(SYNCON1,POSIVPOL)) {
            pola_update();
            return 1;
        }
        else if(BitFals(SYNCON0,UDCNTOUT)) {
            // separate-sync
            if(syncp_fgr0.posihsync != BitTru(SYNCON1,POSIHPOL)) {
                pola_update();
                return 1;
            }
            else {
                set_posi_pola();
                return 0;
            }
        }
    }
    return 0;
}

```

```

// update polarity flags
void pola_update(void)
{
    usin hf_temp, pola_temp;

    if(BitTru(SYNCON0,UDCNTOUT)) {
        // composite-sync
        if(BitTru(SYNCON1,POSIVPOL)) {
            syncp_fgr0.posivsync=1;
            syncp_fgr0.posihsync=1;
        }
        else {
            syncp_fgr0.posivsync=0;
            syncp_fgr0.posihsync=0;
        }
    }
    else {
        // seperate-sync
        if(BitTru(SYNCON1,POSIVPOL))
            syncp_fgr0.posivsync=1;
        else
            syncp_fgr0.posivsync=0;
        if(BitTru(SYNCON1,POSIHPOL))
            syncp_fgr0.posihsync=1;
        else
            syncp_fgr0.posihsync=0;
    }
    hf_temp=hf_new;
}

```

```

hf_temp &= 0x03ff;
pola_temp=(usin *)psyncp_fgr0;
pola_temp <<= 8;
pola_temp &= 0xc000;           // masking except polarity flags
hf_temp |= pola_temp;
hfreq_save=hf_temp;           // bit15/14=polarity, bit9~0=Hsync frequency
}

```

```

void set_posi_pola(void)
{
    if(syncp_fgr0.posivsync==1)
        BitClr(SYNCON1,INVTVPOL);           // by-pass Vsync signal
    else
        BitSet(SYNCON1,INVTVPOL);           // inverting Vsync signal
    if(syncp_fgr0.posihsync==1)
        BitClr(SYNCON1,INVTHPOL);
    else
        BitSet(SYNCON1,INVTHPOL);
}

```

```
// *****
```

```
// Check range of the H/Vsync signal
```

```
// *****
```

```
usch chk_hv_range(void)
```

```

{
    usch hf_khz;
    hf_khz=hfkhz_load(hf_new);
    // checking range of Hsync/Vsync signal
    if(hf_khz<HF_MIN || hf_khz>HF_MAX
        || vf_new<VF_MIN || vf_new>VF_MAX) {
        status_fgr.overrange=1;
        return 1;
    }
    else {
        // normal H/Vsync signal (28KHz<Hf<95KHz, 40Hz<Vf<160Hz)
        status_fgr.overrange=0;
        if(status_fgr.powerdown==1) {
            //off(DPMS) mode -> Normal sync mode
            BitClr(P0,SUSPNDPORT);           // release suspend port(12V line)
            timedelay_ms10();
            BitSet(P0,OFFPORT);             // release off port(5V line)

            write_swii(DEFLECT,HDUTY,0);    // h-duty off
            deflect_ini();                   // free running
            ctrl_preampl();
            tmute10ms=0;
            pseudosync_gen();               // video-mute
            status_fgr.pwronmute=0;         // waiting time=2sec
            status_fgr.powerdown=0;
        }
        tdpms100ms=0;
    }
}

```

```

    dpms_fgr.dpmsstart=0;
    if(status_fgr.selfrasin==1)
        selfraster_end();
    return 0;
}

// control s-correction cap.
void s_correction(void)
{
    usch hf_khz;
    hf_khz=hfkhz_load(hfreq_save);

    if(hf_khz<33) {
        :
    }
    else if(hf_khz<36) {
        :
    }
    :
}

// Control H-linearity with PWM6
void h_lin_out(void)
{
    usch hf_khz;
    hf_khz=hfkhz_load(hfreq_save);
    if(hf_khz<=30) {
        :
    }
    :
}

// *****
// 10ms timer for video-mute
// *****
void chkmutetime(void)
{
    if(syncp_fgr1.normmute==1) {
        if(++tmute10ms>30) { // mute delay time=300ms
            syncp_fgr1.normmute=0;
            syncp_fgr1.endmute=1;
        }
    }
    else if(status_fgr.pwronmute==0) {
        if(++tmute10ms>200) { // mute delay time=2sec
            status_fgr.pwronmute=1;
            syncp_fgr1.endmute=1;
        }
    }
}
}

```

```

#include <S3C863A.h>
#include <insam8.h>
#include <define.h>

usch novsyncntime // to "syncproc.c"
usch vcount; // to "syncproc.c"
usch vclkcntr; // to "syncproc.c"
usch hf_new; // to "syncproc.c"
usch tbase10ms;
usch tkeyact100ms;
usch tdgaus100ms;
usch tsave100ms;
usch tdpms100ms;
usch DDC_rtxbuf[32]; // ddc comm. buffer.
    // 1'st byte = dest. address (2Bi: 6Eh(Host to Display), 6Fh(DtoH))
    // 2'nd byte = src. address (2Bi: 51h(HtoD), 6Eh(DtoH))
    // 3'rd byte = length
    // 4'th byte = command
extern usch delta_hf; // from "syncproc.c"
extern usch wrcycletime; // from "swiic.c"
extern usch *txdata; // from "ddc2bci.c"
extern usch bytecnt;
usch t0ovfcnt;

extern struct reg00 time_fgr;
extern struct reg01 status_fgr;
extern struct reg02 ddc_fgr;
extern struct reg03 dpms_fgr;
extern struct reg04 eeprom_fgr;

extern tiny usch tiny *edidaddr; ;DDC
extern tiny usch DDC_page1[0x80];

#define END_DDC 0x7f

void ms10timer(void);
void ddc2bi(void);

// Timer0 overflow interrupt (count Vsync interval)
//
interrupt [t0ovf_int] void t0ovf_interrupt(void)
{
    usch pp_copy;
    pp_copy=PP; // push pp
    PP=0;
}

```

```

    t0ovfcnt++;

    PP=pp_copy;
}

// Timer0 capture interrupt (capture Vsync signal)
//
interrupt [vsync_int] void vsync_interrupt(void)
{
    usch pp_copy;

    _SB0();
    pp_copy=PP;
    PP=0;
    novsynctime=0;

    if(t0ovfcnt>10) {
        status_fgr.vsyncdet=1;
        vcount=(TM0DATA+(t0ovfcnt*256));
        t0ovfcnt=0;
        // increment vsync counter for DDC1 recovery
        _SB1();
        if(ddc_fgr.ddc2b==0 && BitFals(DCON,DDC1EN))
            vclkcnt++;
        _SB0();
    }
    else
        t0ovfcnt=0;
    PP=pp_copy;
}

// Timer1 capture interrupt (event counter for Hsync signal(seperate-sync))
//
interrupt [t1cap_int] void t1cap_interrupt(void)
{
    usin temp, pp_copy;
    _SB0();
    pp_copy=PP;
    PP=0;
    BitClr(TM1CON,T1PND);
    // clear pending bit

    if(BitTru(TM1CON,T1CAPINT)) {
        temp=(usin)TM1DATAH;
        temp <<= 8;
        temp += (usin)TM1DATAL;
        hf_new=temp;
        delta_hf=0;
        // Hsync frequency for 10ms(Timer2 interval * 10)
    }
    PP=pp_copy;
}

```

```

// Timer2 interval interrupt (1ms interval int. & Calcu. Hsync freq.(comp-sync))
//

interrupt [t2intv_int] void t2intv_interrupt(void)
{
    usin hf_cnt;
    usch pp_copy;
    static usch hf_startcnt;
    static usch hf_stopcnt;
    static usin hcount;
    static usch tbase1ms;
    static usch      tbase10ms;

    _SB0();
    pp_copy=PP;
    PP=0;

    if(BitTru(SYNCON0,UDCNTOUT)) {
        hf_startcnt=hf_stopcnt;
        hf_stopcnt=TM1CNTL;
        if(BitFals(SYNCON2,UNMIXHPERI))
            hcount += delta_hf;
        else {
            hf_cnt=hf_stopcnt-hf_startcnt;
            hcount += hf_cnt;
        }
    }
    if(++tbase1ms>=10) { // Over 10ms ?
        tbase1ms=0;
        time_fgr.chkhfreq=1;
        time_fgr.keyscan=1;
        ms10timer(); // set relative reg. to time
        if(BitTru(SYNCON0,UDCNTOUT)) // Hsync freq.(number of Hsync event for 10ms)
            hf_new=hcount;
    }
    novsynctime++;
    PP=pp_copy;
}

void ms10timer(void)
{
    wrcycletime++;
    if(++tbase10ms>10) {
        tbase10ms=0;
        // Check degaussing time
        if(time_fgr.degaussing==1 && !(--tdgaus100ms)) {
            BitClr(P3,DEGAUSPORT);
            time_fgr.degaussing=0;
        }
        if(dpms_fgr.dpmscond==1) {

```

```

        if(++tdpms100ms>30)                // 3sec
            dpms_fgr.dpmsstart=1;
    }
    else if(time_fgr.chksvtime==1 && !(--tsave100ms)) {
        time_fgr.chksvtime=0;                // 2sec
        eeprom_fgr.datasave=1;
    }
    if(time_fgr.keyactive==1 && !(--tkeyact100ms))
        time_fgr.keyactive=0;                // 7sec
    }
}

// Multi-master IIC.bus interrupt (DDC & FA)
//

interrupt [ddcnfa_int] void multiIIC_interrupt(void)
{
    usch pp_copy, *pt;
    int edid_addtemp, ddc_addtemp;
    static usch *rxbuf_addr;
    static usch rxcntr;

    static struct reg {
        usin revA0address : 1;
    } iic_fgr;

    _SB1();
    pp_copy=PP;
    PP=0;

    edid_addtemp=(int)edidaddr;
    ddc_addtemp=(int)DDC_page1;                // start address of ram buffer with EDID

    if(BitFals(DCON,DDC1EN)) {
        // DDC2 mode
        if(BitTru(DCSR0,MST)) {
            // master mode
            _NOP();
        }
        else if(BitTru(DCSR0,TXD)) {
            // slave Tx mode
            iic_fgr.revA0address=0;
            if(BitFals(DCON,DDC1MAT))                // DDC1 match mode ?
                ddc2bi();
            else if(BitTru(DCSR0,NACK)) {                // NACK ?
                // DDC communication error
                TBDR=0;
                edidaddr=DDC_page1;                // edid <- start address
                BitClr(DCSR0,TXD);                // return slave Rx mode
            }
        }
        else {

```

```

        // transmit EDID data
        if(edid_addtemp > (ddc_addtemp+END_DDC))
            edidaddr=DDC_page1;
        TBDR=*edidaddr;
        edidaddr++;
    }
}
// slave receive mode
else if(BitTru(DCON,DDC1MAT) || iic_fgr.revA0address==1) {
    // slave address = A0h
    if(BitTru(DCSR0,DATAFLD)) {
        if(RBDR==0x00) { // sub-address=00h ?
            TBDR=0;
            edidaddr=DDC_page1;
        }
        else {
            pt=(usch*)RBDR; // random addressing case
            TBDR=*pt;
            edidaddr=DDC_page1+RBDR;
        }
    }
    else // address field
        iic_fgr.revA0address=1;
}
else {
    // slave address = 6Eh
    ddc_fgr.ddccmd=1;
    if(rxcntr++ < 32) // check buffer overflow
        rxbuf_addr=DDC_rxtxbuf+rxcntr;
        *rxbuf_addr=RBDR; // receive ddc command/data
}
vclkcctr=0; // DDC1 recover timer
ddc_fgr.ddc2b=1; // change DDC1 to DDC2 mode
}
// not yet changed to DDC2B (still DDC1 mode)
else if(BitFals(DCON,SCLF)) {
    // EDID Tx mode
    if(edid_addtemp > (ddc_addtemp+END_DDC))
        edidaddr=DDC_page1;
    TBDR=*edidaddr;
    edidaddr++;
}
else {
    TBDR=0;
    edidaddr=DDC_page1;
    BitClr(DCON,DDC1EN); // DDC -> normal IIC
}
BitClr(DCCR,DDCPND); // clear pending bit
PP=pp_copy;
_SB0();
}
// DDC2Bi protocol service

```



```
//  
void ddc2bi(void)  
{  
    if (bytecnt-- > 1) {  
        TBDR = *txdata;           Tx buffer pointer  
        txdata++;  
    }  
    else  
        BitClr(DCSR0, TxD);      // return slave Rx mode  
}
```

NOTES

17 DDC MODULE

OVERVIEW

The S3C8639/C863A/C8647 microcontroller supports the DDC (Display Data Channel) interface. A pair of serial data (SDA0) and serial clock (SCL0) line (except DDC1 mode) is provided to carry information between the master and peripheral that are connected to the bus. The SDA0 and SCL0 lines are bi-directional. The DDC1 mode uses vertical sync input at the Vsync-I or VCLK (VCLK is input-only). DDC1 is implemented physically using VCLK input and SDA0 output.

Protocols for the DDC2B, DDC2Bi, and DDC2B+ are supported in hardware by multi-master IIC-bus logic and in software by the EDID (Extended Display Identification) and VDIF (Video Display Interface) formats.

To control DDC interface, you write values to the following registers:

- DDC Control Register, DCON
- DDC Clock Control Register, DCCR
- DDC Control/Status Registers 0,1, DCSR0,1
- DDC Data Shift Register, DDSR
- DDC Address Registers 0,1, DAR0,1
- Transmit Pre-buffer Data Register, TBDR
- Receive Pre-buffer Data Register, RBDR

DDC CONTROL REGISTER (DCON)

The programmable DCON register to control the DDC is located at E9H in set 1, bank 1. It is read/write addressable. Only four bits are mapped in this register.

The DCON.0 setting lets you detect falling edges at the serial clock, SCL0. If the DCON.0 is set to "0", the SCL0 (serial clock) is still high after reset (when read), or the bit can be cleared by S/W written "0" (when write). If the DCON.1 is set to "1", falling edge is detected at SCL0 pin after RESET or after this bit is cleared by S/W.

NOTE

When the DDC interrupt is occurred, SCL0 line is not pull-down at the following cases:

- DDC1 mode
- Tx/Rx pre-buffer data registers 'enable' bit, DCON.3 is "1" (only slave mode).

The DCON.1 setting lets you select normal IIC-bus interface mode or DDC1 transmit mode. If you select normal IIC-bus interface mode (DCON.1 = "0"), SCL0 pin is selected for clock line and the SCL0 falling edge (SCLF) interrupt is disabled. Or if you select DDC1 transmit mode (DCON.1 = "1"), VCLK pin is selected for clock line and the SCLF interrupt is enable.

The DCON.2 is a DDC address match bit and read-only. When the received DDC address matches to DAR0 register, DCON.2 is "1". And when it is start, stop or reset condition, DCON.2 is "0". To enable transmit or receive pre-buffer data register, DCON.3 is used. When the transmit or receive pre-buffer data register is not used, DCON.3 is "0" (normal IIC-bus mode). DCON.3 is set by writing One to it or by reset. If DCON.3 is "1", the transmit or receive pre-buffer data register is enable.

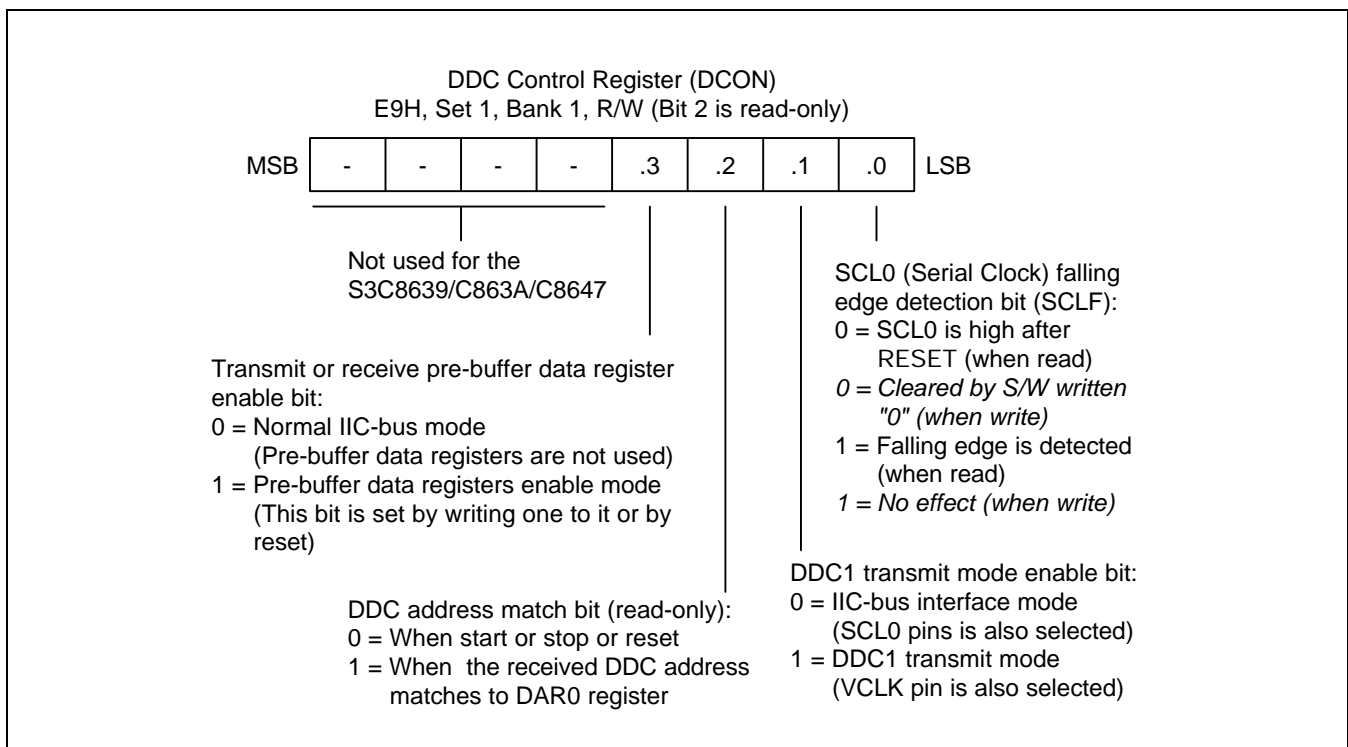


Figure 17-1. DDC Control Register (DCON)

DDC Clock Control Register (DCCR)

The DDC clock control register, DCCR, is located at EBH in set 1, bank 1. It is read/write addressable. DCCR settings control the following functions:

- CPU acknowledge signal (ACK) enable or suppress
- DDC clock source selection ($f_{OSC}/10$ or $f_{OSC}/256$)
- DDC interrupt enable or disable
- DDC interrupt pending control
- 4-bit prescaler for the serial clock (SCL0)

When DCCR.7 bit is set to "1", it is enable to acknowledgment signal. DCCR.6 is bit for transmit clock source selection by $f_{OSC}/10$ or $f_{OSC}/256$. DCCR.3–DCCR.0 bits (CCR3–CCR0) are 4-bit prescaler for the transmit clock (SCL0). The SCL0 clock may be "Stretched" if a slow slave device holds the clock for clock synchronization.

In the S3C8639/C863A/C8647 interrupt structure, the DDC interrupt is assigned level IRQ3, vector EAH. To enable this interrupt, you set DCCR.5 to "1". Program software can then poll the DDC interrupt pending bit(DCCR.4) to detect DDC interrupt request. When the CPU acknowledges the interrupt request from the DDC, the interrupt service routine must clear the interrupt pending condition by writing a "0" to DCCR.4.

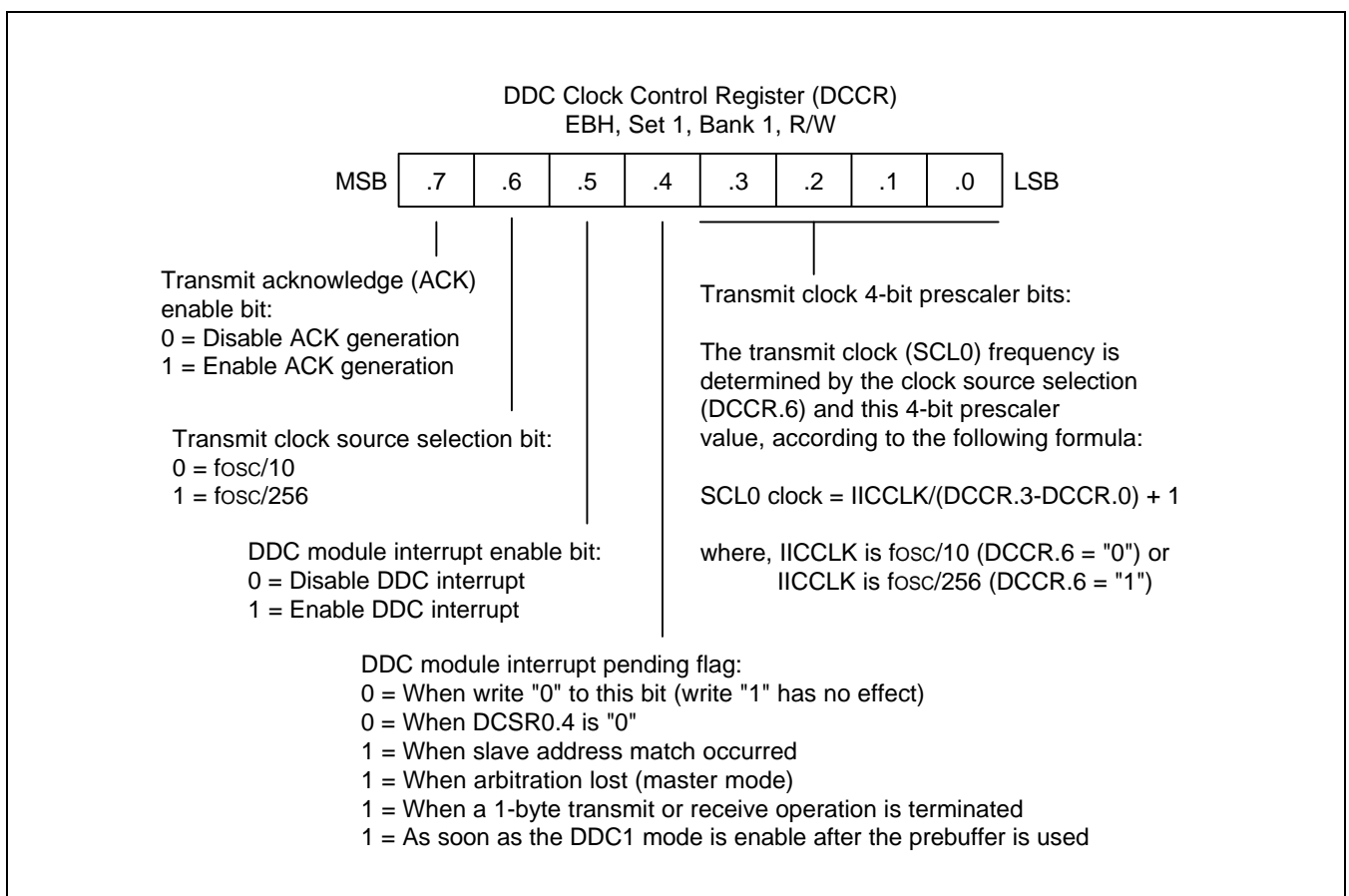


Figure 17-2. DDC Clock Control Register (DCCR)

Table 17-1. Sample Timing Calculations for the DDC Transmit Clock (SCL0)

DCCR.3–DCCR.0 Value (IICLK = 4 MHz)	IICLK (DCCR.3–DCCR.0 Settings + 1)	($f_{osc} = 8 \text{ MHz}$) DCCR.6 = 0 ($f_{osc}/10$) IICLK = 400 kHz	($f_{osc} = 8 \text{ MHz}$) DCCR.6 = 1 ($f_{osc}/256$) IICLK = 15.625 kHz
0000	IICLK/1	400 kHz	15.625 kHz
0001	IICLK/2	200 kHz	7.1825 kHz
0010	IICLK/3	133.3 kHz	5.2038 kHz
0011	IICLK/4	100 kHz	3.9063 kHz
0100	IICLK/5	80.0 kHz	3.1250 kHz
0101	IICLK/6	66.7 kHz	2.6042 kHz
0110	IICLK/7	57.1 kHz	2.2321 kHz
0111	IICLK/8	50.0 kHz	1.9531 kHz
1000	IICLK/9	44.4 kHz	1.7361 kHz
1001	IICLK/10	40.0 kHz	1.5625 kHz
1010	IICLK/11	36.4 kHz	1.4205 kHz
1011	IICLK/12	33.3 kHz	1.3021 kHz
1100	IICLK/13	30.8 kHz	1.2019 kHz
1101	IICLK/14	28.7 kHz	1.1160 kHz
1110	IICLK/15	26.7 kHz	1.0417 kHz
1111	IICLK/16	25.0 kHz	0.9766 kHz

DDC CONTROL/STATUS REGISTER 0 (DCSR0)

The DDC control/status register 0, DCSR0, is located at ECH in set 1, bank 1. It is read/write addressable. Although the DCSR0 register is read/write addressable, four bits are read only: DCSR0.3–DCSR0.0.

DCSR0 register settings are used to control or monitor the following functions:

- Master/slave transmit or receive mode selection
- Bus busy status flag
- DDC module enable or disable
- Failed bus arbitration procedure status flag
- Received address register match status flag
- Last received bit status flag (No ACK = "1", ACK = "0")

DCSR0.3 is automatically set to "1" when a bus arbitration procedure fails over serial I/O interface, while the IIC-bus is set to master mode. If slave mode is selected, DCSR0.3 is automatically set to "1" if the value of DCSR0.7–.4 are changed by program when the busy signal bit, DCSR0.5 is "1", and the DDC address/data field classification bit, DCSR0.2 is "0". When the DDC module is transmitting a One to SDA0 line but detected a Zero from SDA0 line in master mode at the slave mode, DCSR0.3 is set.

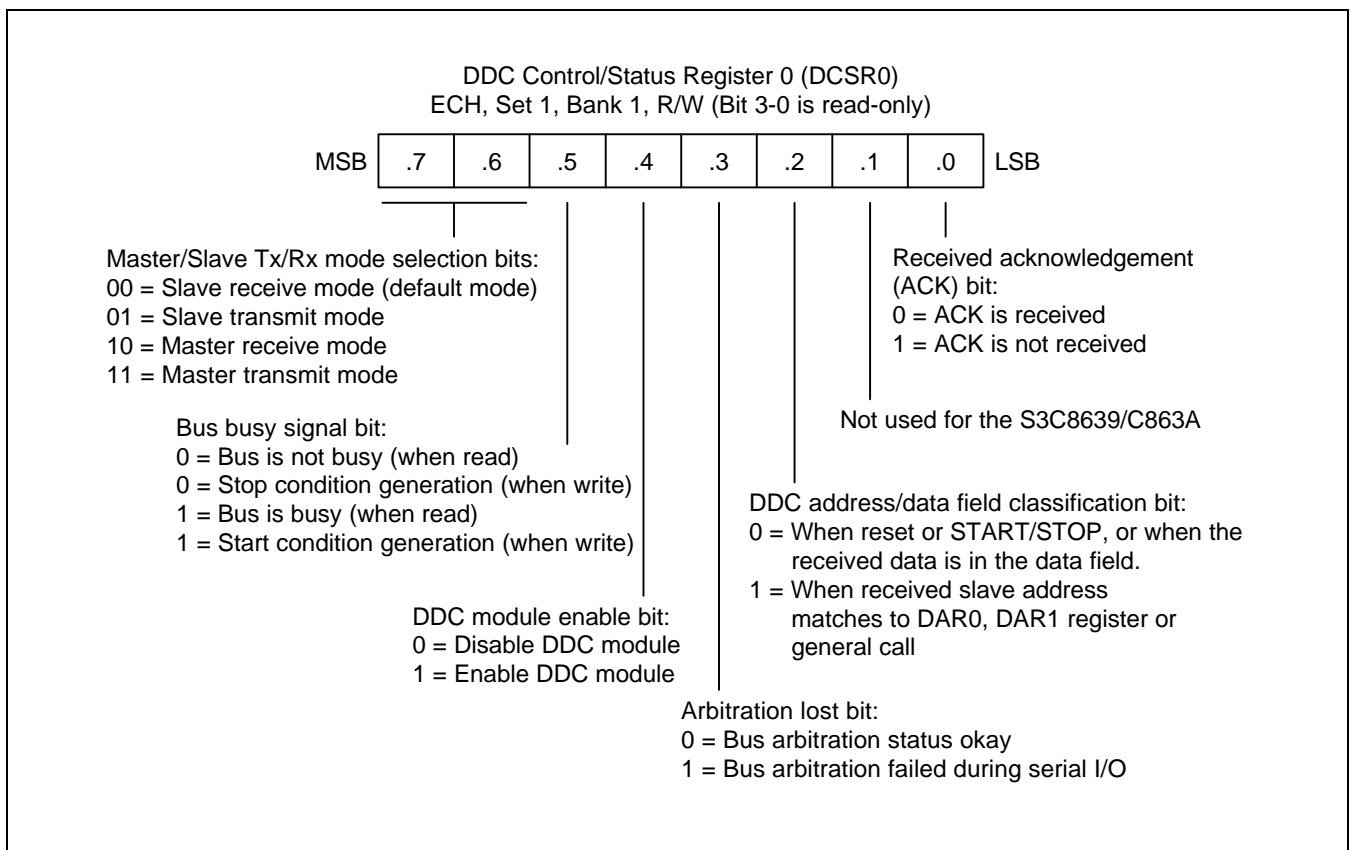


Figure 17-3. DDC Control/Status Register 0 (DCSR0)

DDC CONTROL/STATUS REGISTER 1 (DCSR1)

The DDC control/status register 1, called DCSR1, is located at EDH in set 1, bank 1. It is read/write addressable. Only three bits are mapped in this register. Two bits are read-only: DCSR1.1 and DCSR1.0.

DCSR1 register settings are used to control or monitor the following functions:

- Stop condition detection flag
- Data buffer empty status flag
- Data buffer full status flag

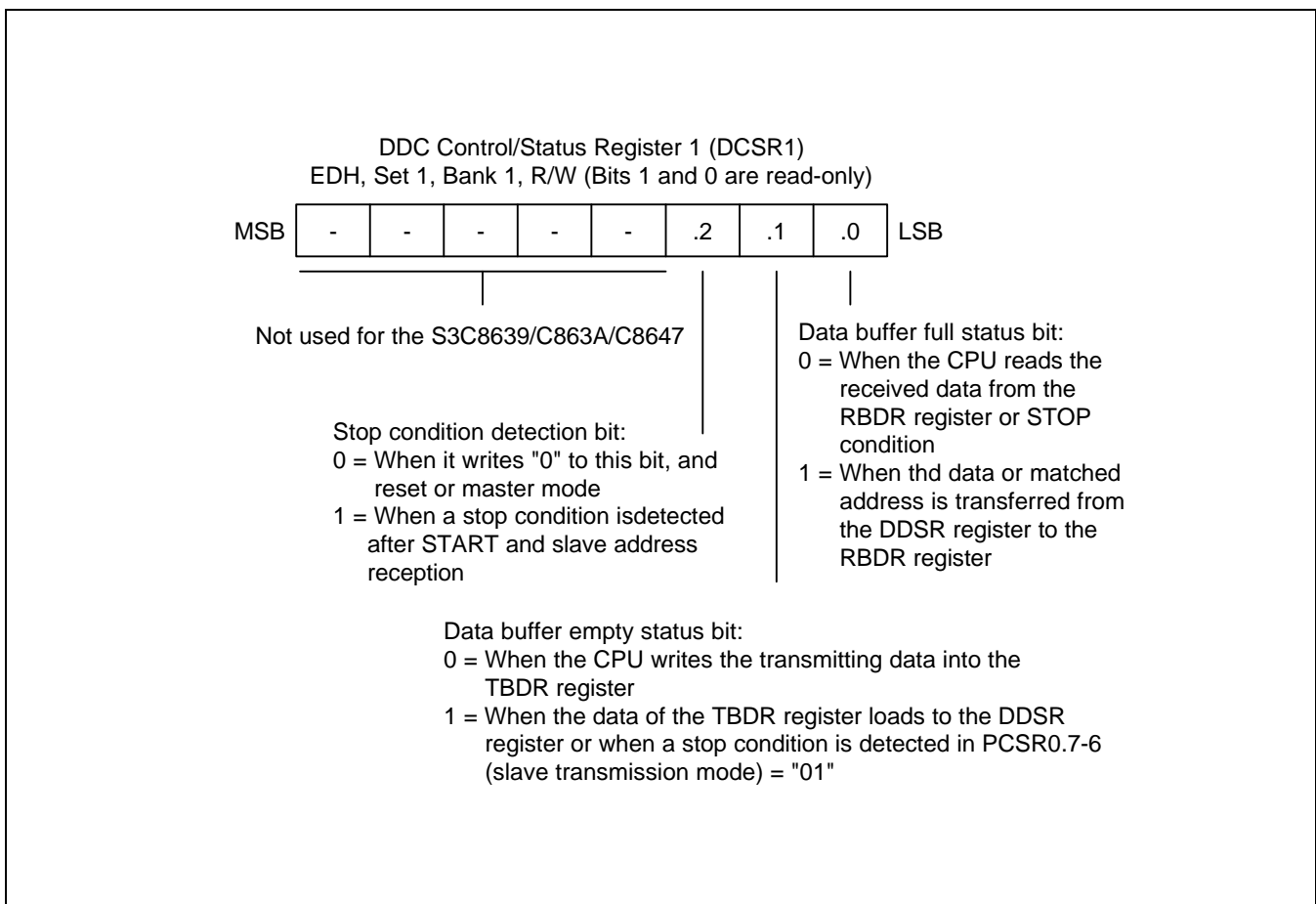


Figure 17-4. DDC Control/Status Register 1 (DCSR1)

DDC DATA SHIFT REGISTER (DDSR)

The DDC data shift register for DDC interface, called DDSR, is located at F1H in set 1, bank 1. It is read/write addressable. The transmitted data output serially from most significant bit (MSB) after writing a data to DDSR. In addition, the received data from the IIC-bus input to DDSR serially from least significant bit (LSB). DDSR register capable to write while DCSR0.4 is set to "1" and DCON.3 is set to "0", and to read anytime regardless of ICSR0.4.

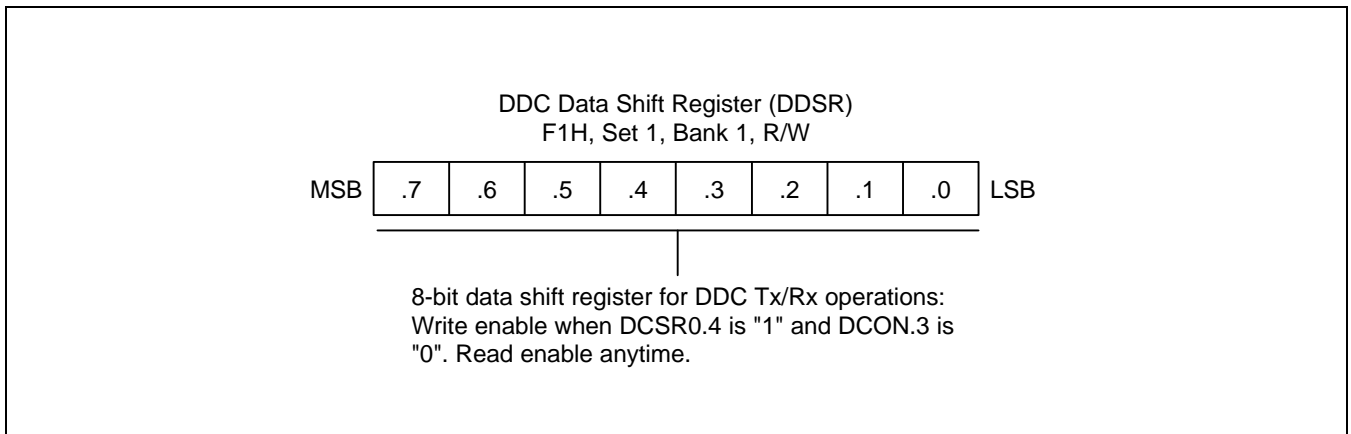


Figure 17-5. DDC Data Shift Register (DDSR)

DDC ADDRESS REGISTER 0 (DAR0)

The DDC address register 0 for DDC interface, called DAR0, is located at EAH in set 1, bank 1. It is read/write addressable. This register is consisted of 4-bit slave address latch (DAR0.3–DAR0.0 is not mapped at the S3C8639/C863A/C8647). DAR0 register is capable to write when DCSR0.4 is "0", and to read anytime regardless of DCSR0.4. 4-bits of the DAR0 register are operate only when receive the slave address.

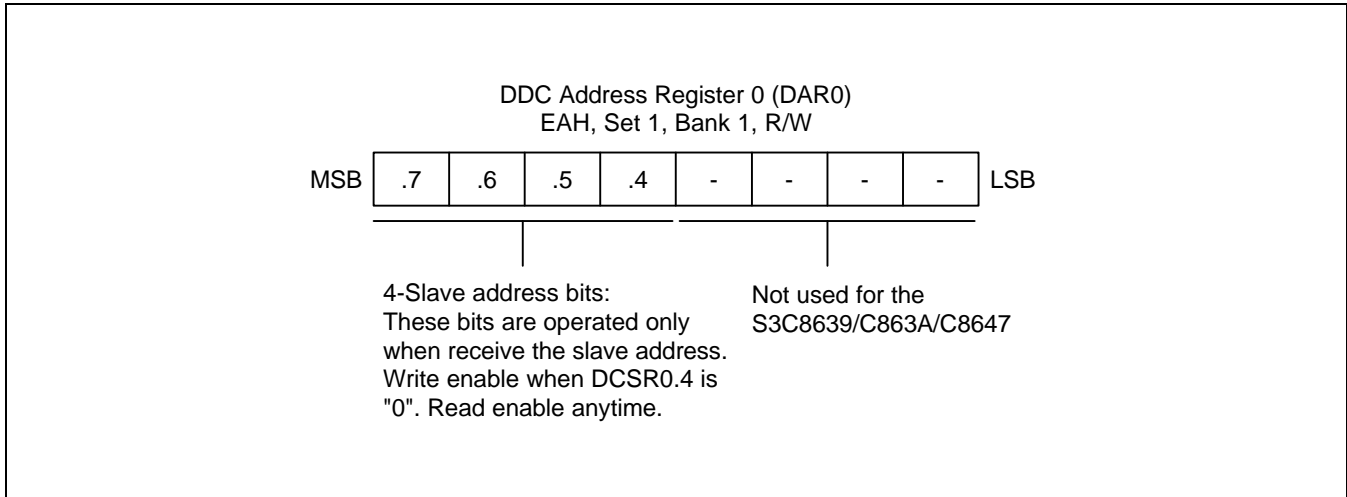


Figure 17-6. DDC Address Register 0 (DAR0)

DDC ADDRESS REGISTER 1 (DAR1)

The DDC address register 1 for DDC interface, called DAR1, is located at EEH in set 1, bank 1. It is read/write addressable. This register is consisted of 7-bit slave address latch (DAR1.0 is not mapped at the S3C8639/C863A/C8647). DAR1 register is capable to write when DCSR0.4 is "0", and to read anytime regardless of DCSR0.4. 7-bits of the DAR1 register are operate only when receive the slave address.

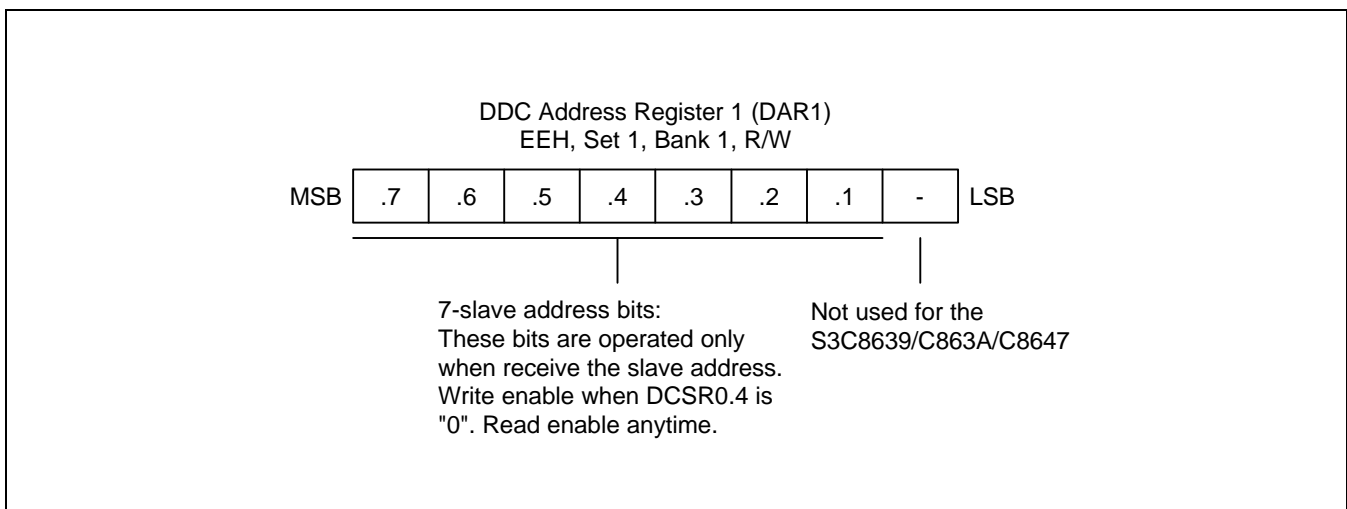


Figure 17-7. DDC Address Register 1 (DAR1)

TRANSMIT PRE-BUFFER DATA REGISTER (TBDR)

The transmit pre-buffer data register, called TBDR, is located at EFH in set 1, bank 1. It is read/write addressable. TBDR register is capable to write when DCSR0.4 is "1", and to read anytime regardless of DCSR0.4.

When DCON.3 (TBDR enable bit) = "1" and DCSR1.1 = "0", the data written into this register will be automatically downloaded to the DDC data shift register (DDSR) and generate the interrupt request when the module detects the calling address is matched and the bit 0 of the received data is "1" (DCSR0.7-6 = "01") and when the data in the DDSR register has been transmitted with received acknowledge bit, DCSR0.0 = "0".

At this interrupt service routine, the CPU must write the next data to the TBDR register to clear DCSR1.1 and for the auto downloading of data to the DDSR register after the data in the DDSR register is transmitted over again with DCSR0.0 = "0". When DCON.3 = "1" and DCSR1.1 = "1", the data stored in this register will not be downloaded to the module detects the calling address is matched and the bit 0 of the received data is "1".

At this interrupt service routine, the CPU must write the current data and rewrite the next data to the TBDR register to clear DCSR1.1. If the master receiver doesn't acknowledge the transmitted data, DCSR0.0 = "1", the module will release the SDA line for master to generate STOP or repeated START conditions. If DCON.3 (TBDR enable bit) is "0", the module will pull-down the SCL line in the IIC-bus interrupt service routine when the DCSR0.2 is "1". And the module will release the SCL line if the CPU writes a data to the DDSR registers and the interrupt pending bit is cleared.

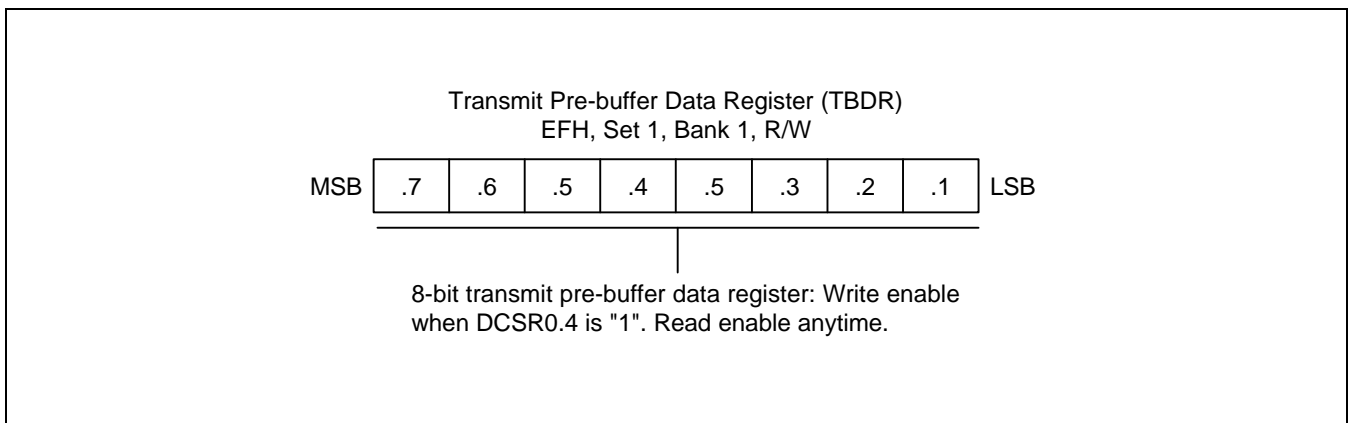


Figure 17-8. Transmit Pre-buffer Data Register (TBDR)

RECEIVE PRE-BUFFER DATA REGISTER (RBDR)

The receive pre-buffer data register, called RBDR, is located at F0H in set 1, bank 1. It is read-only addressable. RBDR register is capable to read anytime.

RBDR register will be updated after a data byte is received when the DCSR0.2 is "1" and the DCSR1.0 will be "1". The read operation of RBDR register will clear the DCSR1.0. After the DCSR1.0 is cleared, the register can load the received data again and set the DCSR1.0.

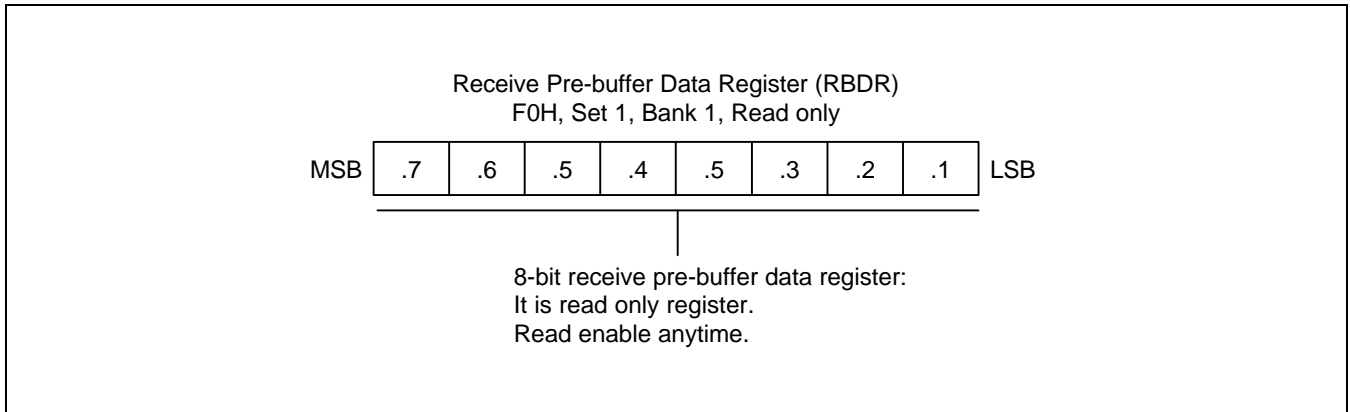


Figure 17-9. Receive Pre-buffer Data Register (RBDR)

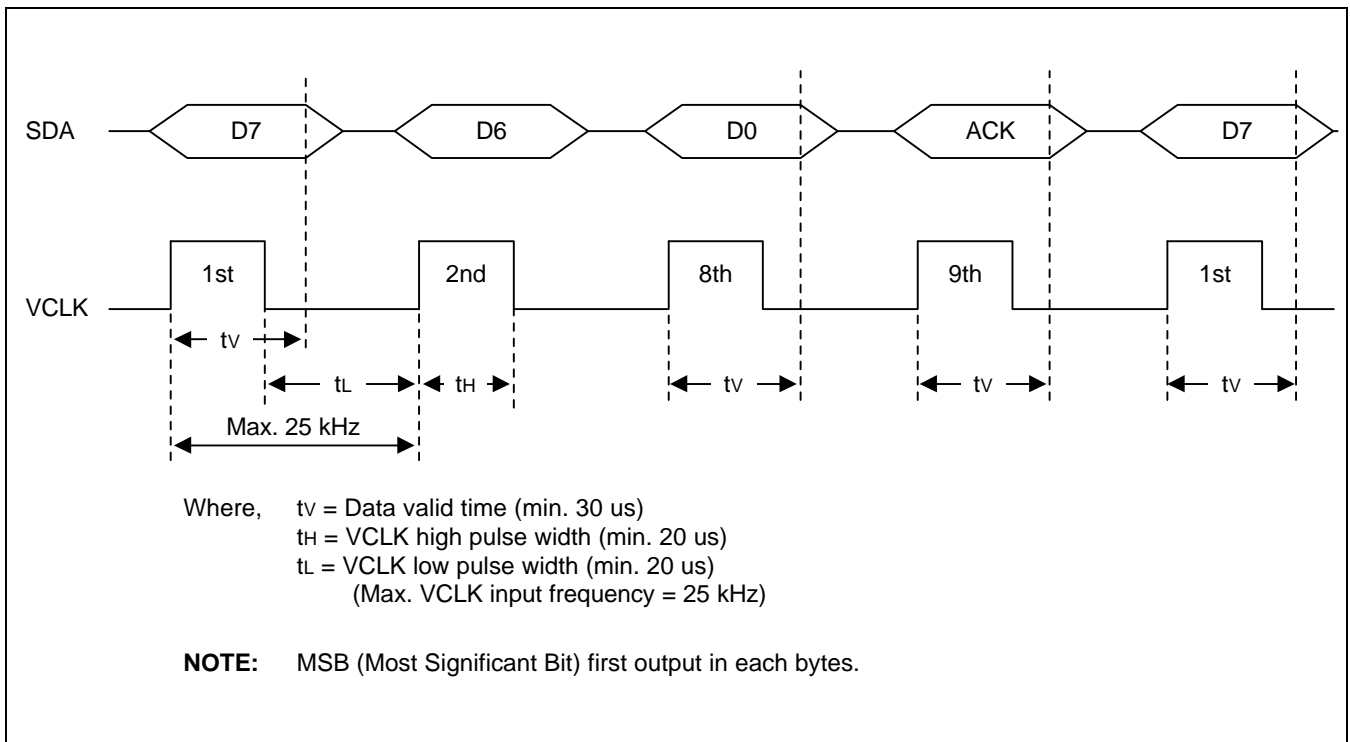


Figure 17-10. DDC1 Mode Timing Diagram (One-Byte Transfer)

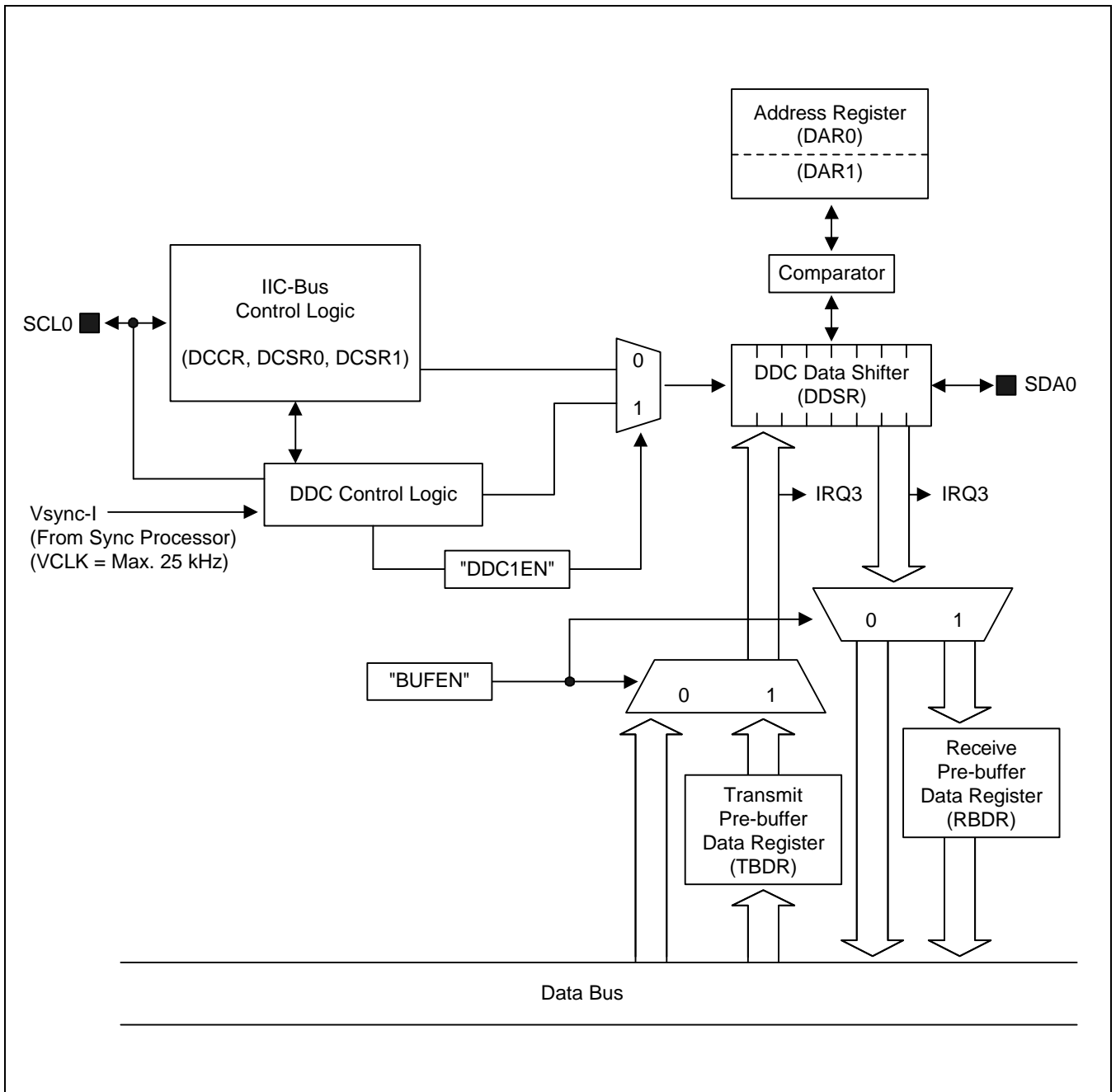


Figure 17-11. DDC Module Block Diagram

THE DDC INTERFACE

DDC2BI MODE

Overview

DDC2B capable graphic hosts have limited and mono-directional communications with the display devices. At the contrary, DDC2Bi mode is an extension of the DDC2B level in order to offer a bi-direction communication between the computer graphic host and the display device. DDC2Bi brings DDC2B+ functionality to DDC2B graphic hosts using a simple S/W driver. So DDC2Bi display device is made by simple S/W upgrade to DDC2B+ capable displays. DDC2Bi protocol relies on the DDC2B H/W definition and the Access bus messages protocol. The Graphic host behaves as an IIC single master host, and the display device behaves as an IIC slave device. The DDC2Bi is a modification of the Access bus multi-master protocol to fit single master communication.

DDC2Bi Host and Display Device

DDC2Bi host is considered as an IIC single master capable device. The virtual IIC slave address of the host is 50/51H. But DDC2Bi display device is considered as a fixed address display device (6E/6F), and uses only IIC slave mode to communicate with the host.

A display dependent devices are geographically located around the display and follow the same DDC2Bi data protocol than the display device. And fixed address IIC slave devices group all the existing stand-alone and brain-less IIC slave device. These devices can coexist and be connected to the DDC/IIC-bus.

DDC2Bi S/W Implementation

In order to describe the display that the received message is of DDC2Bi type, the source address byte bit 0 is set. And when the host expects an answer from the display, the host reads the answer message at the display device slave address 6FH. The checksum is still computed by using the 50H, virtual host address.

A null message can be defined as an Access bus message without any data byte. The null message is used in the following cases:

- To detect that the display is DDC2Bi capable by reading it at 6FH, IIC slave address.
- To describe the host that the display does not have any answer to give to the host
- The enable application report has not been sent prior application messages exchange with the host

DDC2Bi Communication

In the DDC2Bi communication, it is capable to retrials when a communication fails (bus error or bad checksum). So the host is responsible for resending its message and trying to get an answer from the display again. When the communication fail is occurred, the DDC2Bi devices must answer by the retry of host.

The DDC2Bi capable device must properly send and receive all its supported messages. This determines the maximum internal data communication buffer required size for proper display operation. If the device receive a message which size is lager than the maximum supported by the device, the message be accepted entirely by the device, but does not need to be supported internally, and then be discarded. Therefore the DDC2Bi capable device must acknowledge all received data bytes from the host.

THE IIC-BUS INTERFACE

The S3C8639/C863A/C8647 IIC-bus interface has four operating modes:

- Master transmitter mode
- Master receive mode
- Slave transmitter mode
- Slave receive mode

Functional relationships between these operating modes are described below.

START AND STOP CONDITIONS

When the IIC-bus interface is inactive, it is in slave mode. The interface is therefore always in slave mode when a start condition is detected on the SDA line. (A start condition is a High-to-Low transition of the SDA line while the clock signal, SCL, is High level.) When the interface enters master mode, it initiates a data transfer and generates the SCL signal.

A start condition initiates a one-byte serial data transfer over the SDA line and a stop condition ends the transfer. (A stop condition is a Low-to-High transition of the SDA line while SCL is High level.) Start and stop conditions are always generated by the master. The IIC-bus is “busy” when a start condition is generated. A few clocks after a stop condition is generated, the IIC-bus is again “free”.

When a master initiates a start condition, it sends its slave address onto the bus. The address byte consists of a 7-bit address and a 1-bit transfer direction indicator (that is, write or read). If bit 8 is “0”, a transmit operation (write) is indicated; if bit 8 is “1”, a request for data (read) is indicated.

The master ends the indicated transfer operation by transmitting a stop condition. If the master wants to continue sending data over the bus, it can generate another start condition and another slave address. In this way, read-write operations can be performed in various formats.

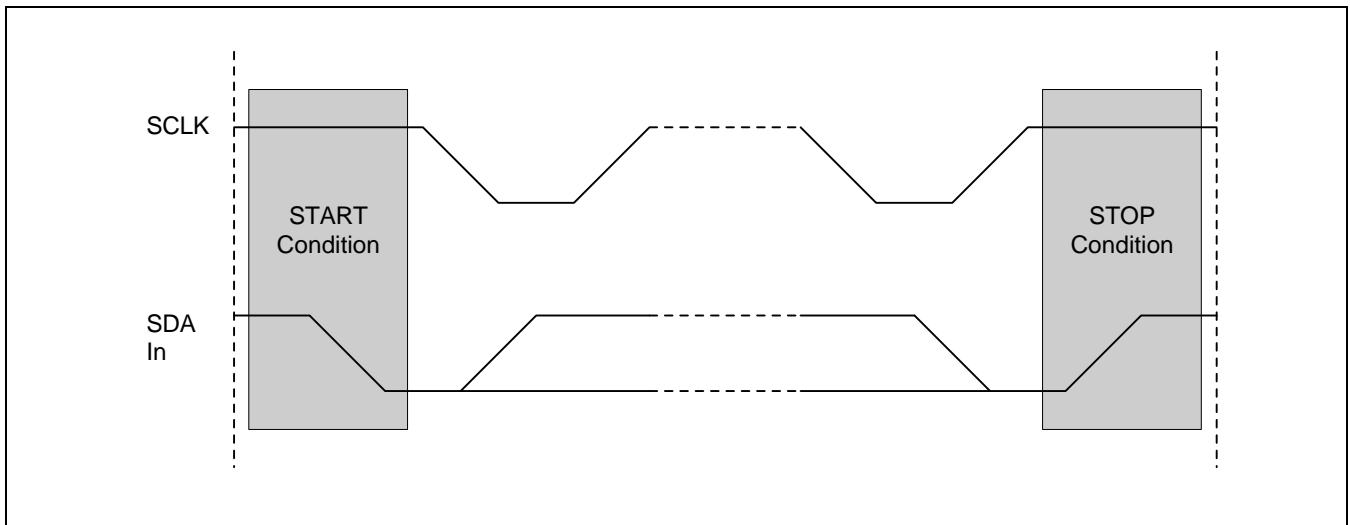


Figure 17-12. Start and Stop Conditions

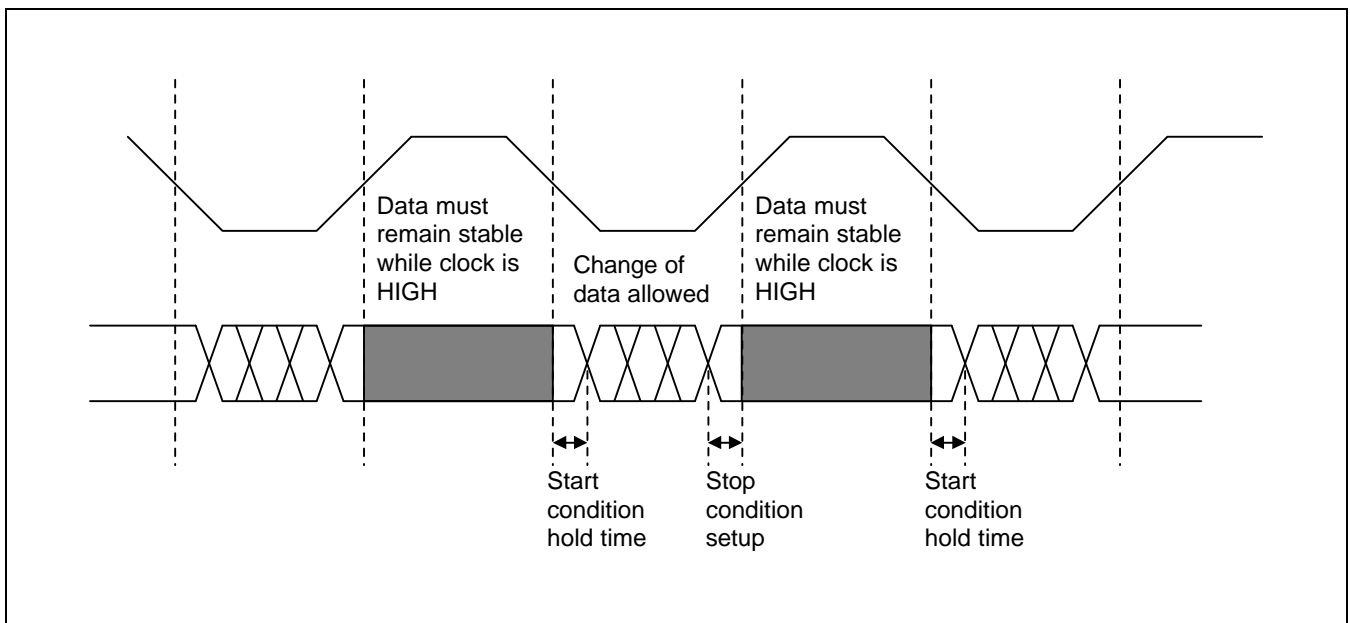


Figure 17-13. Input Data Protocol

DATA TRANSFER FORMATS

Every byte put on the SDA line must be eight bits in length. The number of bytes which can be transmitted per transfer is unlimited. The first byte following a start condition is the address byte. This address byte is transmitted by the master when the IIC-bus is operating in master mode. Each byte must be followed by an acknowledge (ACK) bit. Serial data and addresses are always sent MSB first.

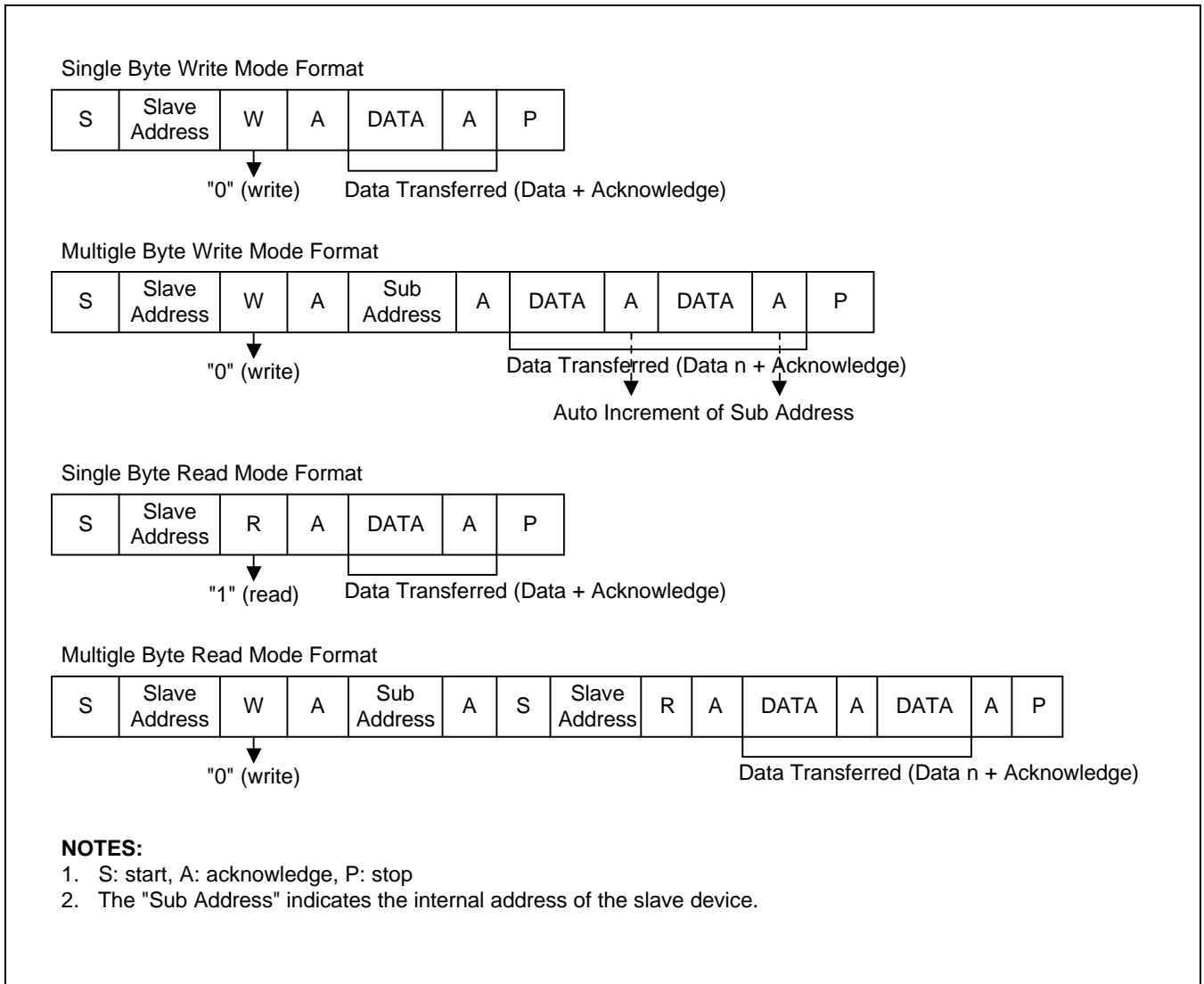


Figure 17-14. IIC-Bus Interface Data Formats

ACK SIGNAL TRANSMISSION

To complete a one-byte transfer operation, the receiver must send an ACK bit to the transmitter. The ACK pulse occurs at the ninth clock of the SCL line (eight clocks are required to complete the one-byte transfer). The clock pulse required for the transmission of the ACK bit is always generated by the master.

The transmitter releases the SDA line (that is, it sends the SDA line High) when the ACK clock pulse is received. The receiver must drive the SDA line Low during the ACK clock pulse so that SDA is Low during the High period of the ninth SCL pulse.

The ACK bit transmit function can be enabled and disabled by software (DCCR.7). However, the ACK pulse on the ninth clock of SCL is required to complete a one-byte data transfer operation.

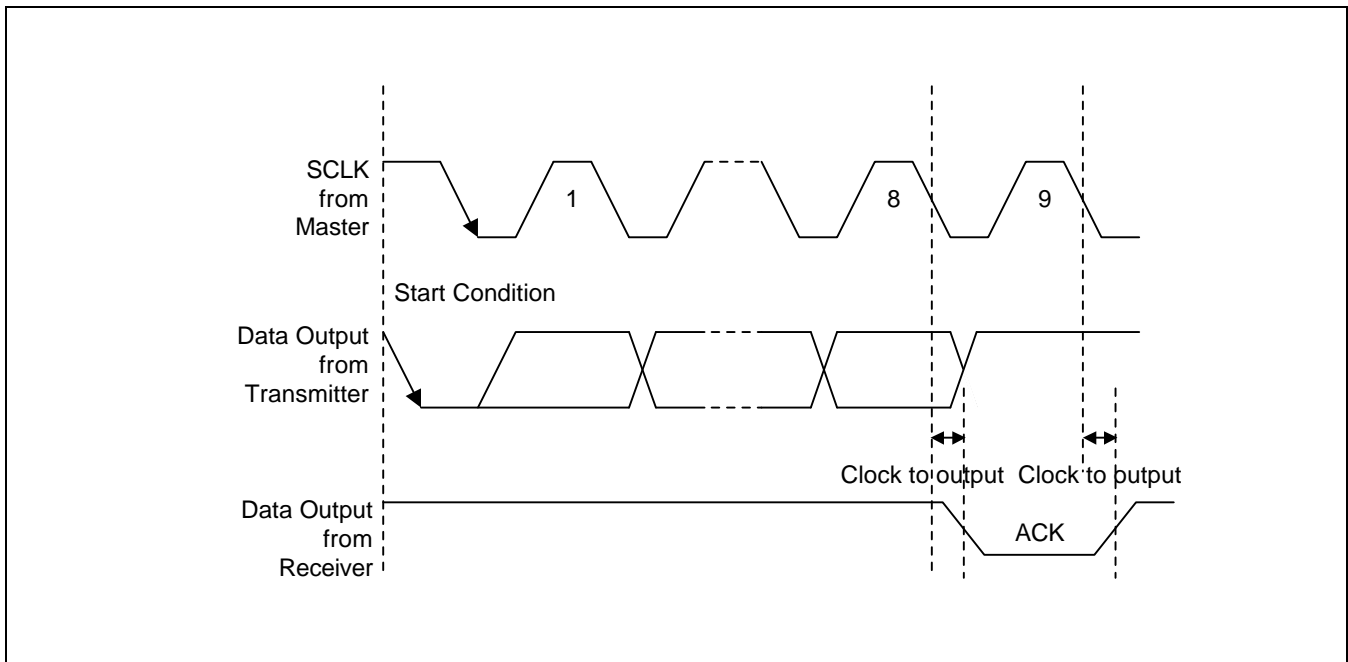


Figure 17-15. Acknowledge Response from Receiver

READ-WRITE OPERATIONS

When operating in transmitter mode, the IIC-bus interface interrupt routine waits for the master (the KS88C6332/C6348) to write a data byte into the IIC-bus data shift register (DDSR). To do this, it holds the SCL line Low prior to transmission.

In receive mode, the IIC-bus interface waits for the master to read the byte from the IIC-bus data shift register (DDSR). It does this by holding the SCL line Low following the complete reception of a data byte.

BUS ARBITRATION PROCEDURES

Arbitration takes place on the SDA line to prevent contention on the bus between two masters. If a master with a SDA High level detects another master with an SDA active Low level, it will not initiate a data transfer because the current level on the bus does not correspond to its own. The master which loses the arbitration can generate SCL pulses only until the end of the last-transmitted data byte. The arbitration procedure can continue while data continues to be transferred over the bus.

The first stage of arbitration is the comparison of address bits. If a master loses the arbitration during the addressing stage of a data transfer, it is possible that the master which won the arbitration is attempting to address the master which lost. In this case, the losing master must immediately switch to slave receiver mode.

ABORT CONDITIONS

If a slave receiver does not acknowledge the slave address, it must hold the level of the SDA line High. This signals the master to generate a stop condition and to abort the transfer.

If a master receiver is involved in the aborted transfer, it must also signal the end of the slave transmit operation. It does this by not generating an ACK after the last data byte received from the slave. The slave transmitter must then release the SDA to allow a master to generate a stop condition.

CONFIGURING THE IIC-BUS

To control the frequency of the serial clock (SCL), you program the 4-bit prescaler value in the DCCR register. The IIC-bus interface address is stored in IIC-bus address register, DIAR0/DAR1. (By default, the IIC-bus interface address is an unknown value.)

NOTES

18

SLAVE IIC-BUS INTERFACE (Only S3C863X)

OVERVIEW

The S3C8639/C863A microcontroller supports a slave only IIC-bus serial interface.

A dedicated serial data line (SDA) and a serial clock line (SCL) carry information between bus master and slave devices which are connected to the IIC-bus. The SDA is bi-directional. But in the S3C8639/C863A/C8647, the SCL line is uni-directional (input only).

S3C8639/C863A microcontroller can receive and transmit serial data to and from master. When the IIC-bus is free, the SDA and SCL lines are both at high level.

To control slave-only IIC-bus operations, you write values to the following registers:

- Slave only IIC-bus control/status register, SICSR
- Slave only IIC-bus Tx/Rx data shift register, SIDSR
- Slave only IIC-bus address register, SIAR

Start and Stop conditions are always generated by the master. A 7-bit address value in the first data byte that is put onto the bus after the Start condition is initiated determines which slave device the bus master selects. The 8th bit determines the direction of the transfer (read or write).

Every data byte that is put onto the SDA line must total eight bits. The number of bytes which can be sent or received per bus transfer operation is unlimited.

Refer to the IIC-bus interface (slave Tx/Rx) of chapter 17 for the protocol of the slave IIC-bus at the S3C8639/C863A.

SLAVE ONLY IIC-BUS CONTROL/STATUS REGISTER (SICSR)

The slave only IIC-bus control/status register, SICSR, is located in set 1, bank 1, at address F2H. SICSR register settings are used to control or monitor the following slave IIC-bus functions (see figure 18-4):

- Slave IIC-bus acknowledgement (ACK) signal generation enable or suppress
- Slave IIC-bus module enable
- Slave IIC-bus Tx/Rx interrupt enable
- Slave IIC-bus Tx/Rx interrupt pending condition control
- Slave IIC-bus Tx/Rx mode status detect/control
- Slave IIC-bus busy status detect
- Slave IIC-bus address match status detect
- Received acknowledge signal detect (No ACK = "1", ACK = "0")

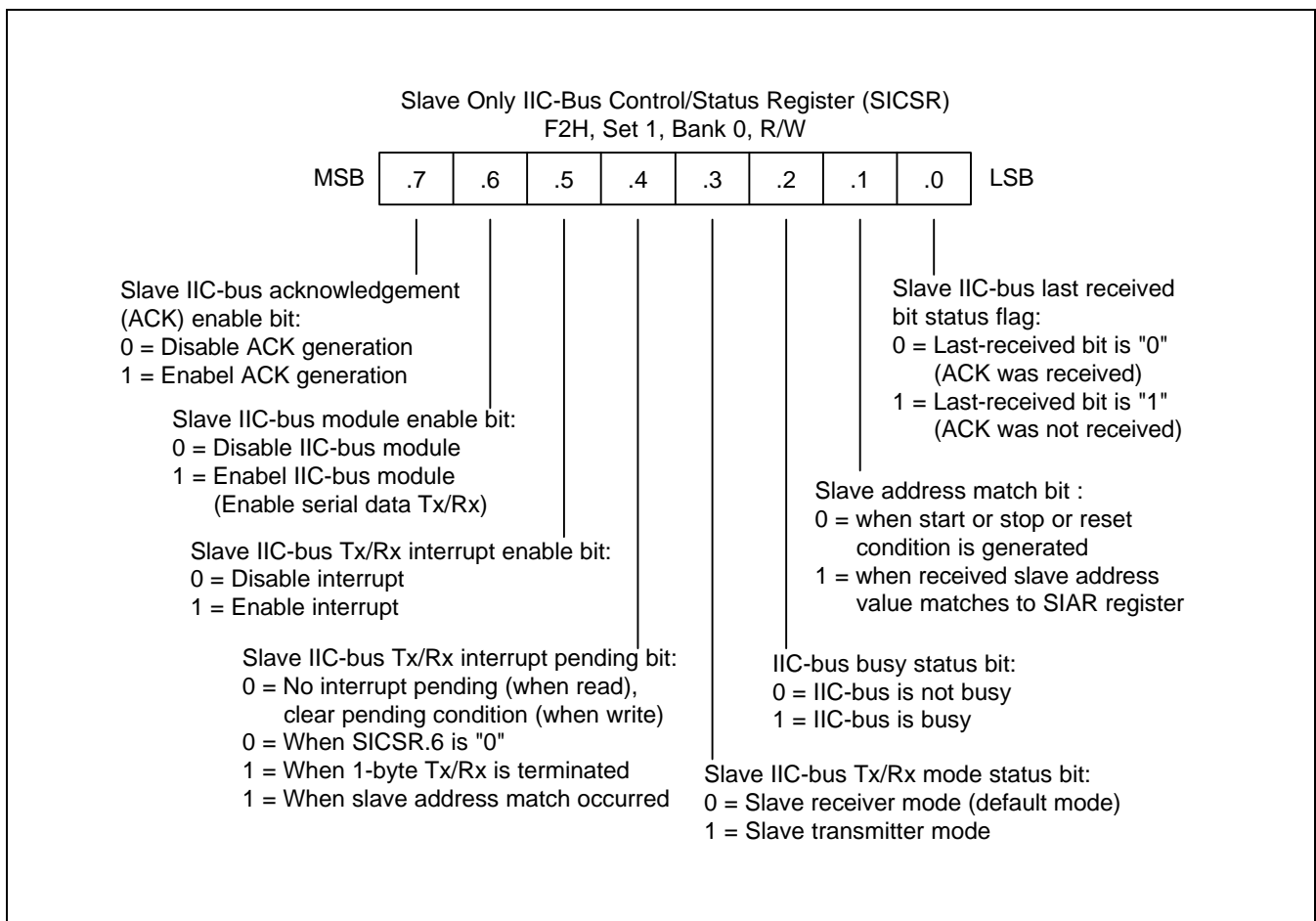


Figure 18-1. Slave only IIC-Bus Control/Status Register (SICSR)

SLAVE ONLY IIC-BUS TRANSMIT/RECEIVE DATA SHIFT REGISTER (SIDSR)

The slave IIC-bus data shift register, SIDSR, is located in set 1, bank 1, at address F4H. In a transmit operation, data that is written to the IIC is transmitted serially.

The SICSR.6 setting enables or disables serial transmit/receive operations. When SICSR.6 = "1", data can be written to the shift register. The slave IIC-bus shift register can, however, be read at any time, regardless of the current SICSR.6 setting.

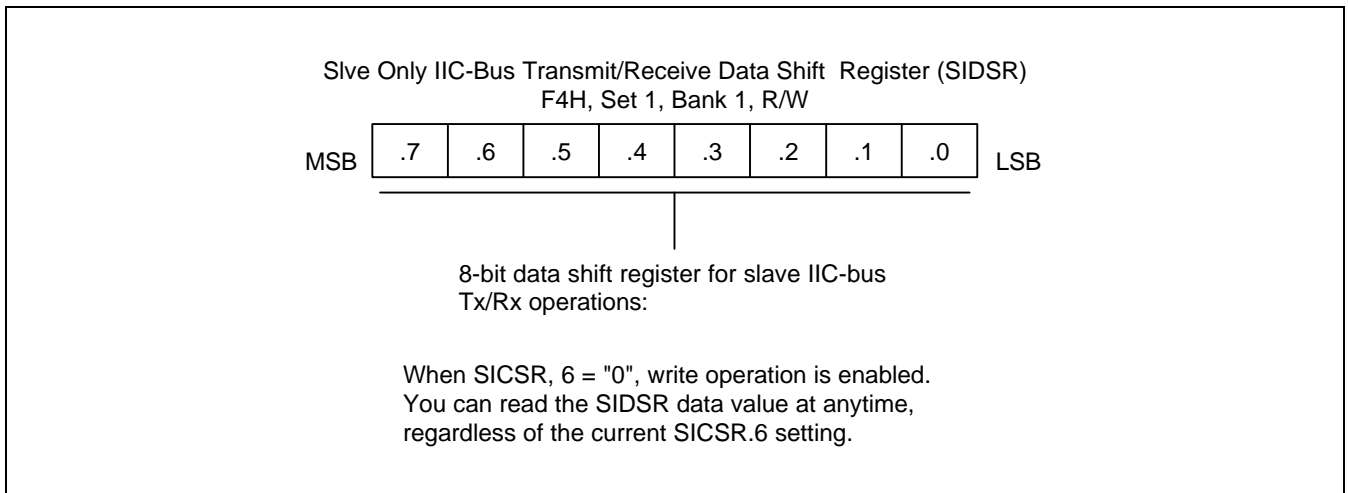


Figure 18-2. Slave Only IIC-Bus Tx/Rx Data Shift Register (SIDSR)

SLAVE ONLY IIC-BUS ADDRESS REGISTER (SIAR)

The address register for the IIC-bus interface, SIAR, is located, in set 1, bank 1, at address F3H. It is used to store a latched 7-bit slave address. This address is mapped to IAR.7–IAR.1; bit 0 is not used (see figure 18-3).

The latched slave address is compared to the next received slave address.

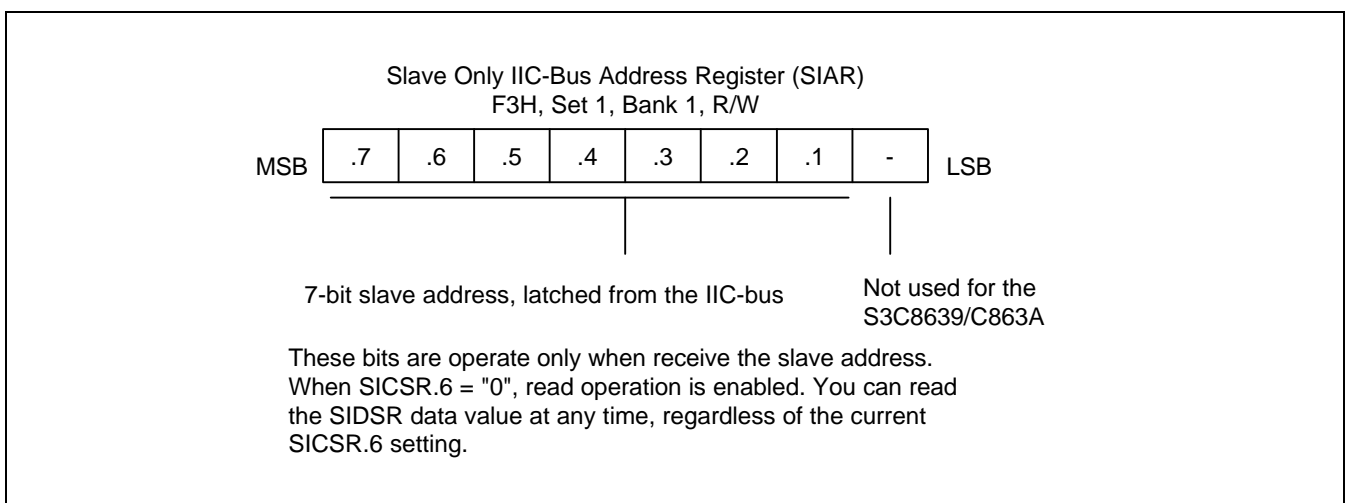


Figure 18-3. Slave only IIC-Bus Address Register (SIAR)

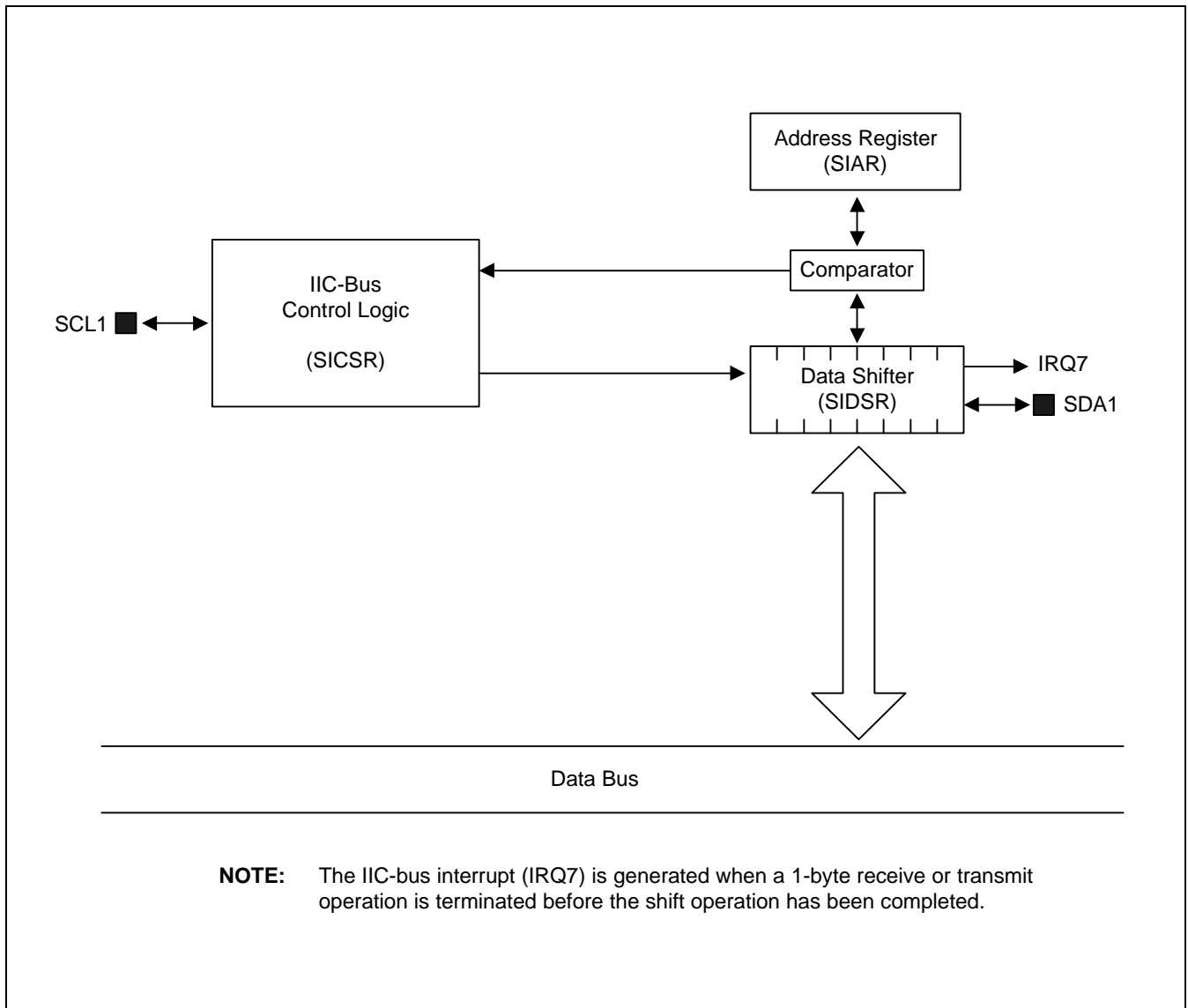


Figure 18-4. IIC-Bus Block Diagram

19

ELECTRICAL DATA

OVERVIEW

In this section, S3C8639/C863A/C8647 electrical characteristics are presented in tables and graphs. The information is arranged in the following order:

- Absolute maximum ratings
- D.C. electrical characteristics
- Data retention supply voltage in stop mode
- Stop mode release timing when initiated by a reset
- I/O capacitance
- A/D Converter electrical characteristics
- A.C. electrical characteristics
- Input timing measurement points for P0.0–P0.2 and TM0CAP
- Oscillation characteristics
- Oscillation stabilization time
- Clock timing measurement points for X_{IN}
- Schmitt trigger characteristics
- Power-on reset circuit characteristics

Table 19-1. Absolute Maximum Ratings

 $(T_A = 25^\circ\text{C})$

Parameter	Symbol	Conditions	Rating	Unit
Supply voltage	V_{DD}	–	– 0.3 to + 6.5	V
Input voltage	V_{I1}	Type G-3 (n-channel open drain)	– 0.3 to + 7.0	
	V_{I2}	All port pins except V_{I1}	– 0.3 to $V_{DD} + 0.3$	
Output voltage	V_O	All output pins	– 0.3 to $V_{DD} + 0.3$	
Output current High	I_{OH}	One I/O pin active	– 10	mA
		All I/O pins active	– 60	
Output current Low	I_{OL}	One I/O pin active	+ 30	
		Total pin current except port 3	+ 100	
		Sync-processor I/O pins and IIC-bus clock and data pins	+ 150	
Operating temperature	T_A	–	– 40 to + 85	
Storage temperature	T_{STG}	–	– 65 to + 150	

Table 19-2. D.C. Electrical Characteristics

 $(T_A = -40^\circ\text{C}$ to $+85^\circ\text{C}$, $V_{DD} = 3.0\text{ V}$ to 5.5 V (S3C863X), $V_{DD} = 4.0\text{ V}$ to 5.5 V (S3C8647))

Parameter	Symbol	Conditions	Min	Typ	Max	Unit
Input High voltage	V_{IH1}	All input pins except V_{IH2} , V_{IH3} and V_{IH4}	$0.8 V_{DD}$	–	V_{DD}	V
	V_{IH2}	X_{IN}	$V_{DD}-0.5$		V_{DD}	
	V_{IH3}	TTL input (Hsync-I, Vsync-I, and Csync-I)	2.0		V_{DD}	
	V_{IH4}	SCL0/SDA0, SCL1/SDA1	$0.7V_{DD}$		V_{DD}	
Input Low voltage	V_{IL1}	All input pins except V_{IL2} and V_{IL3}	–		$0.2 V_{DD}$	
	V_{IL2}	X_{IN}			0.4	
	V_{IL3}	TTL input (Hsync-I, Vsync-I, and Csync-I)			0.8	
	V_{IL4}	SCL0/SDA0, SCL1/SDA1			$0.3V_{DD}$	
Output High voltage	V_{OH1}	$V_{DD} = 5\text{ V} \pm 10\%$; $I_{OH} = -15\text{ mA}$ (S3C863x), $I_{OH} = -14\text{ mA}$ (S3C8647); Port 3.6–3.7	$V_{DD} - 1.2$		–	
	V_{OH2}	$V_{DD} = 5\text{ V} \pm 10\%$; $I_{OH} = -4\text{ mA}$ (S3C863x), $I_{OH} = -3.6\text{ mA}$ (S3C8647); Port 1.2, Port 3.0–3.5				
	V_{OH3}	$V_{DD} = 5\text{ V} \pm 10\%$; $I_{OH} = -2\text{ mA}$; Port 0, 2, Clamp-O, H, and Vsync-O	$V_{DD} - 1.0$			
	V_{OH4}	$V_{DD} = 5\text{ V} \pm 10\%$; $I_{OH} = -6\text{ mA}$; Port 1.0–P1.1, SCL0 and SDA0				

Table 19-2. D.C. Electrical Characteristics (Continued)

(T_A = -40 °C to +85 °C, V_{DD} = 3.0 V to 5.5 V (S3C863X), V_{DD} = 4.0 V to 5.5 V (S3C8647))

Parameter	Symbol	Conditions	Min	Typ	Max	Unit
Output Low voltage	V _{OL1}	V _{DD} = 5 V ± 10%; I _{OL} = 15 mA Port 3.6–3.7	–	–	0.4	V
	V _{OL2}	V _{DD} = 5 V ± 10%; I _{OL} = 4 mA Port 3.0–3.5 and Port 1.2			0.4	
	V _{OL3}	V _{DD} = 5 V ± 10%; I _{OL} = 2 mA Port 0, 2, Clamp-O, H, and Vsync-O			0.4	
	V _{OL4}	V _{DD} = 5 V ± 10%; I _{OL} = 6 mA Port 1.0–1.1; SCL0 and SDA0			0.6	
Input High leakage current	I _{LIH1}	V _{IN} = V _{DD} All input pins except X _{IN} , X _{OUT}	–	–	3	μA
	I _{LIH2}	V _{IN} = V _{DD} ; X _{OUT} only	–	–	20	
	I _{LIH3}	V _{IN} = V _{DD} ; X _{IN} only	2.5	6	20	
Input Low leakage current	I _{LIL1}	V _{IN} = 0 V; All input pins except X _{IN} , X _{OUT} , RESET, Hsyncl & Vsyncl	–	–	–3	
	I _{LIL2}	V _{IN} = 0 V; X _{OUT} only	–	–	–20	
	I _{LIL3}	V _{IN} = 0 V; X _{IN} only	–2.5	–6	–20	
Output High leakage current	I _{LOH1}	V _{OUT} = V _{DD}	–	–	3	
Output Low leakage current	I _{LOL1}	V _{OUT} = 0 V	–	–	–3	
Pull-up resistor	R _{U1}	V _{IN} = 0 V; V _{DD} = 5 V ± 10% Ports 3.7–3.4	20	47	80	kΩ
	R _{U2}	V _{IN} = 0 V; V _{DD} = 5 V ± 10% RESET only	150	280	480	
Pull-down resistor	R _D	V _{IN} = 0 V; V _{DD} = 5 V ± 10% Hsyncl & Vsyncl	150	300	500	
Supply current (note)	I _{DD1}	V _{DD} = 5 V ± 10% Operation mode; 12 MHz crystal C1 = C2 = 22pF	–	10	20	mA
	I _{DD2}	V _{DD} = 5 V ± 10% Idle mode; 12 MHz crystal C1 = C2 = 22pF		4	8	
	I _{DD3}	V _{DD} = 5 V ± 10% Stop mode		100	150	

NOTE: Supply current does not include drawn internal pull-up/pull-down resistors and external loads of output.

Table 19-3. Data Retention Supply Voltage in Stop Mode

 $(T_A = -40\text{ }^\circ\text{C to } +85\text{ }^\circ\text{C})$

Parameter	Symbol	Conditions	Min	Typ	Max	Unit
Data retention supply voltage	V_{DDDR}	Stop mode	2	–	5.5	V
Data retention supply current	I_{DDDR}	Stop mode, $V_{\text{DDDR}} = 2.0\text{ V}$	–	–	5	μA

NOTES:

1. During the oscillator stabilization wait time (t_{WAIT}), all CPU operations must be stopped.
2. Supply current does not include drawn through internal pull-up resistors and external output current loads.

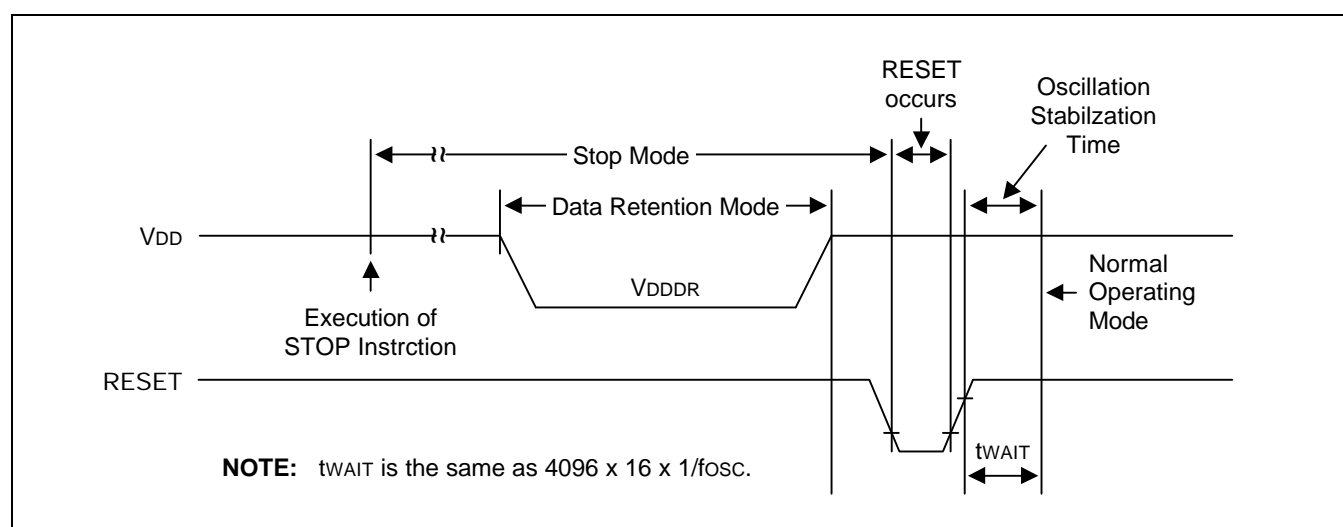


Figure 19-1. Stop Mode Release Timing When Initiated by a Reset

Table 19-4. Input/Output Capacitance

 $(T_A = -40\text{ }^\circ\text{C to } +85\text{ }^\circ\text{C}, V_{\text{DD}} = 0\text{ V})$

Parameter	Symbol	Conditions	Min	Typ	Max	Unit
Input capacitance	C_{IN}	$f = 1\text{ MHz}$; unmeasured pins are connected to V_{SS}	–	–	10	μF
Output capacitance	C_{OUT}					
I/O capacitance	C_{IO}					

Table 19-5. A/D Converter Electrical Characteristics (S3C863X)

(T_A = -40 °C to +85 °C, V_{DD} = 3.0 V to 5.5 V, V_{SS} = 0 V)

Parameter	Symbol	Conditions	Min	Typ	Max	Unit
Resolution			-	8	-	bit
Total accuracy		V _{DD} = 5 V Conversion time = 5 μs	-	-	± 2	LSB
Integral linearity error	ILE	AV _{REF} = 5 V		-	± 1	
Differential linearity error	DLE	AV _{SS} = 0 V		-	± 1	
Offset error of top	EOT			± 1	± 2	
Offset error of bottom	EOB			± 0.5	± 2	
Conversion time ⁽¹⁾	t _{CON}	8-bit conversion 48 x n/f _{OSC} ⁽³⁾ , n = 1, 4, 8, 16	20	-	170	μs
Analog input voltage	V _{IAN}	-	AV _{SS}	-	AV _{REF}	V
Analog input impedance	R _{AN}	-	2	1000	-	MΩ
Analog reference voltage	AV _{REF}	-	2.5	-	V _{DD}	V
Analog ground	AV _{SS}	-	V _{SS}	-	V _{SS} + 0.3	V
Analog input current	I _{ADIN}	AV _{REF} = V _{DD} = 5V	-	-	10	μA
Analog block Current ⁽²⁾	I _{ADC}	AV _{REF} = V _{DD} = 5V	-	1	3	mA
		AV _{REF} = V _{DD} = 3V		0.5	1.5	mA
		AV _{REF} = V _{DD} = 5V When power down mode		100	500	nA

NOTES:

- "Conversion time" is the time required from the moment a conversion operation starts until it ends.
- I_{ADC} is an operating current during the A/D conversion.
- f_{OSC} is the main oscillator clock.

Table 19-6. A/D Converter Electrical Characteristics (S3C8647)

(T_A = -40°C to +85°C, V_{DD} = 4.0 V to 5.5 V, V_{SS} = 0 V)

Parameter	Symbol	Conditions	Min	Typ	Max	Unit
Resolution	–		–	4	–	bit
Absolute accuracy ⁽¹⁾	–	4 bit conversion 24 x n/f _{OSC} ⁽³⁾ , n = 1, 4, 8, 16	–	–	± 0.5	LSB
Conversion time ⁽²⁾	t _{CON}		3	–	–	us
Analog input voltage	V _{IAN}	–	V _{SS}	–	V _{DD}	V
Analog input impedance	R _{AN}	–	2	–	–	MΩ

NOTES:

1. Excluding quantization error, absolute accuracy values are within ± 0.5 LSB.
2. "Conversion time" is the time required from the moment a conversion operation starts until it ends.
3. f_{OSC} is the mean oscillator clock.

Table 19-7. A.C. Electrical Characteristics

($T_A = -40\text{ }^\circ\text{C}$ to $+85\text{ }^\circ\text{C}$, $V_{DD} = 3.0\text{ V}$ to 5.5 V (S3C863X), $V_{DD} = 4.0\text{ V}$ to 5.5 V (S3C8647))

Parameter	Symbol	Conditions	Min	Typ	Max	Unit
Noise Filter	t_{NF1H} t_{NF1L}	INT0–2 and TM0CAP (RC delay)	300	–	–	ns
	t_{NF2}	RESET only (RC delay)	1000	–	–	

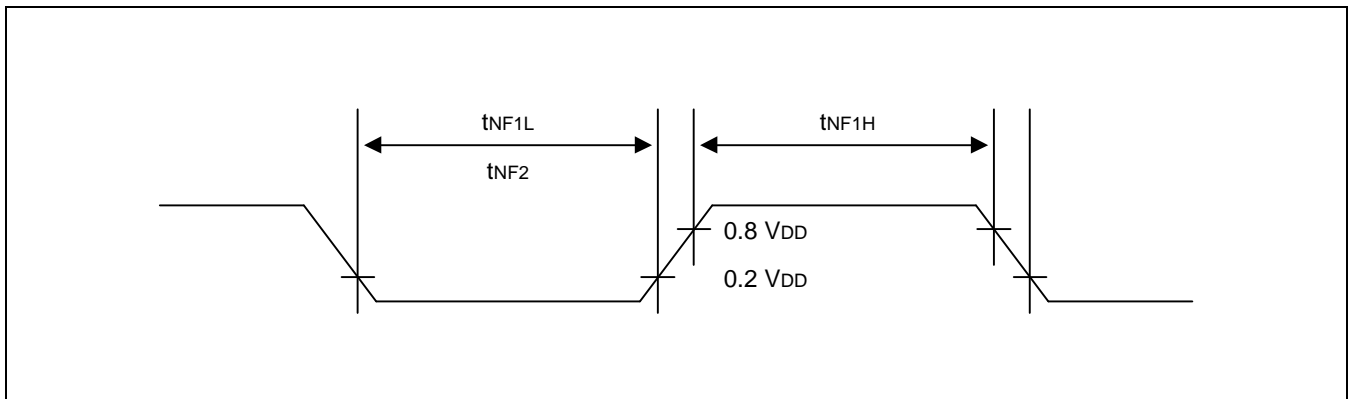
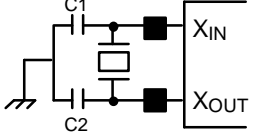
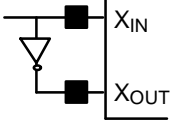


Figure 19-2. Input Timing Measurement Points for P0.0–P0.2 and TM0CAP

Table 19-8. Oscillation Characteristics

 $(T_A = -40\text{ }^\circ\text{C} + 85\text{ }^\circ\text{C})$

Oscillator	Clock Circuit	Conditions	Min	Typ	Max	Unit
Main crystal or ceramic		$V_{DD} = 3.0\text{ V to } 5.5\text{ V}$ (S3C863X) $V_{DD} = 4.0\text{ V to } 5.5\text{ V}$ (S3C8647)	8	–	12	MHz
External clock (main)		$V_{DD} = 3.0\text{ V to } 5.5\text{ V}$ (S3C863X) $V_{DD} = 4.0\text{ V to } 5.5\text{ V}$ (S3C8647)	8	–	12	MHz

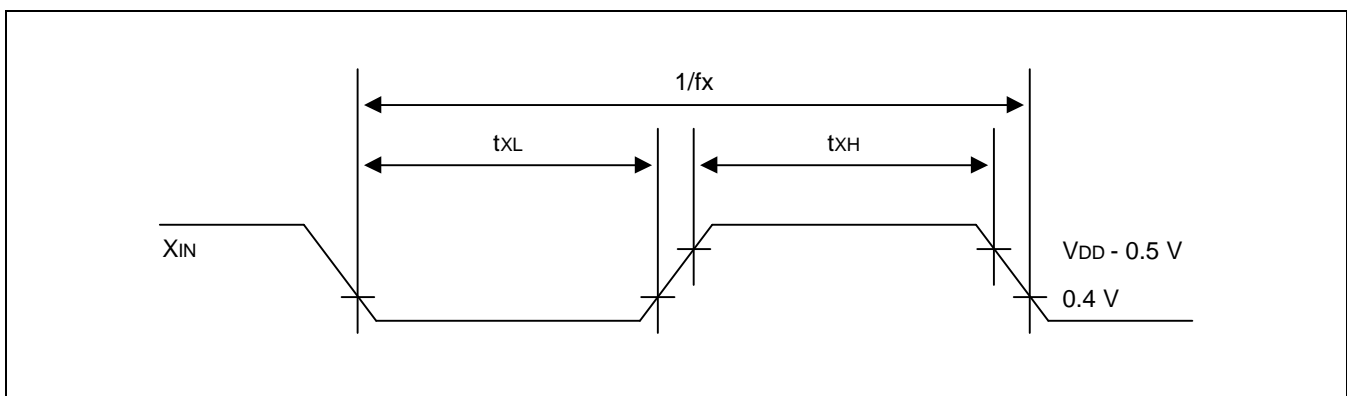
NOTE: The maximum oscillator frequency is 12 MHz. If you use an oscillator frequency higher than 12 MHz, you cannot select a non-divided CPU clock using CLKCON settings. That is, you must select one of the divide-by values.

Table 19-9. Oscillation Stabilization Time

 $(T_A = -40\text{ }^\circ\text{C to } +85\text{ }^\circ\text{C}, V_{DD} = 3.0\text{ V to } 5.5\text{ V (S3C863X)}, V_{DD} = 4.0\text{ V to } 5.5\text{ V (S3C8647)})$

Oscillator	Test Condition	Min	Typ	Max	Unit
Crystal	$V_{DD} = 3.0\text{ V (or } 4.0\text{ V) to } 5.5\text{ V}$	–	–	20	ms
Ceramic	$V_{DD} = 3.0\text{ V (or } 4.0\text{ V) to } 5.5\text{ V}$	–	–	10	
External clock	X_{IN} input high and low level width (t_{XH}, t_{XL})	25	–	500	ns

NOTE: Oscillation stabilization time is the time required for the CPU clock to return to its normal oscillation frequency after a power-on occurs, or when Stop mode is released.

Figure 19-3. Clock Timing Measurement Points for X_{IN}

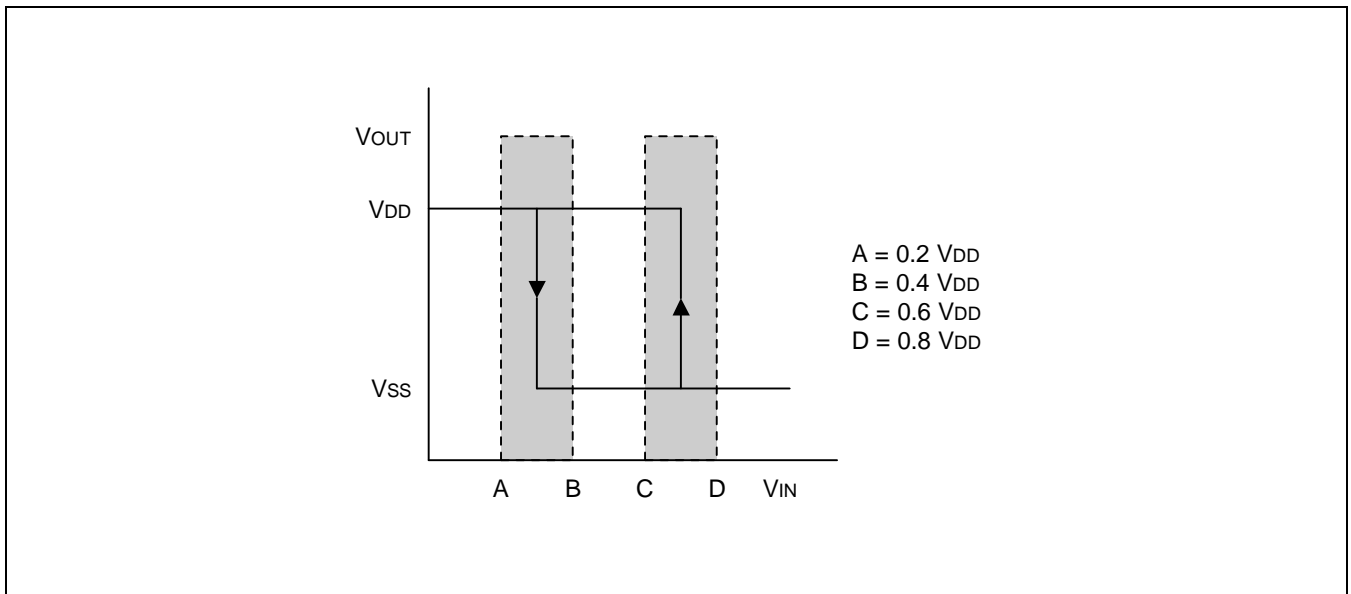


Figure 19-4. Schmitt Trigger Characteristics (Normal Port; except TTL Input)

Table 19-10. Power-on Reset Circuit Characteristics

($T_A = -40\text{ }^{\circ}\text{C}$ to $+85\text{ }^{\circ}\text{C}$, $V_{DD} = 3.0\text{ V}$ to 5.5 V (S3C863X), $V_{DD} = 4.0\text{ V}$ to 5.5 V (S3C8647))

Parameter	Symbol	Conditions	Min	Typ	Max	Unit
Power-on reset release voltage	V_{DDLVD}		2.3 3.1 (2)	2.65 3.4 (2)	3.0 3.7 (2)	V
Power-on reset detection voltage	V_{LVD}		2.3 3.1 (2)	2.65 3.4 (2)	3.0 3.7 (2)	V
Power supply voltage off time	t_{off}		10	—	—	ms
Power-on reset circuit consumption current (2)	I_{DDPR}	$V_{DD} = 5\text{ V} \pm 10\%$		100	150	μA
		$V_{DD} = 3.3\text{ V}$		60	100	μA

NOTES:

1. Current contained when power-on reset circuit is provided internally.
2. Only S3C8647.

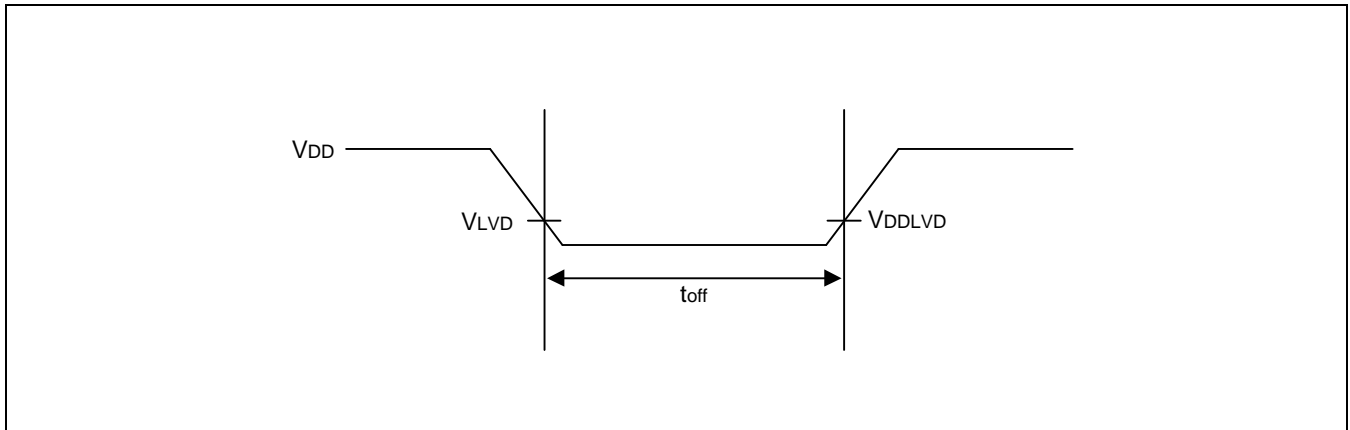


Figure 19-5. Power-on Reset Timing

20 MECHANICAL DATA

OVERVIEW

The S3C8639/C863A/C8647 microcontroller is available in a 42-pin SDIP package (Samsung part number 42-SDIP-600) and a 44-QFP package (Samsung part number 44-QFP-1010B).

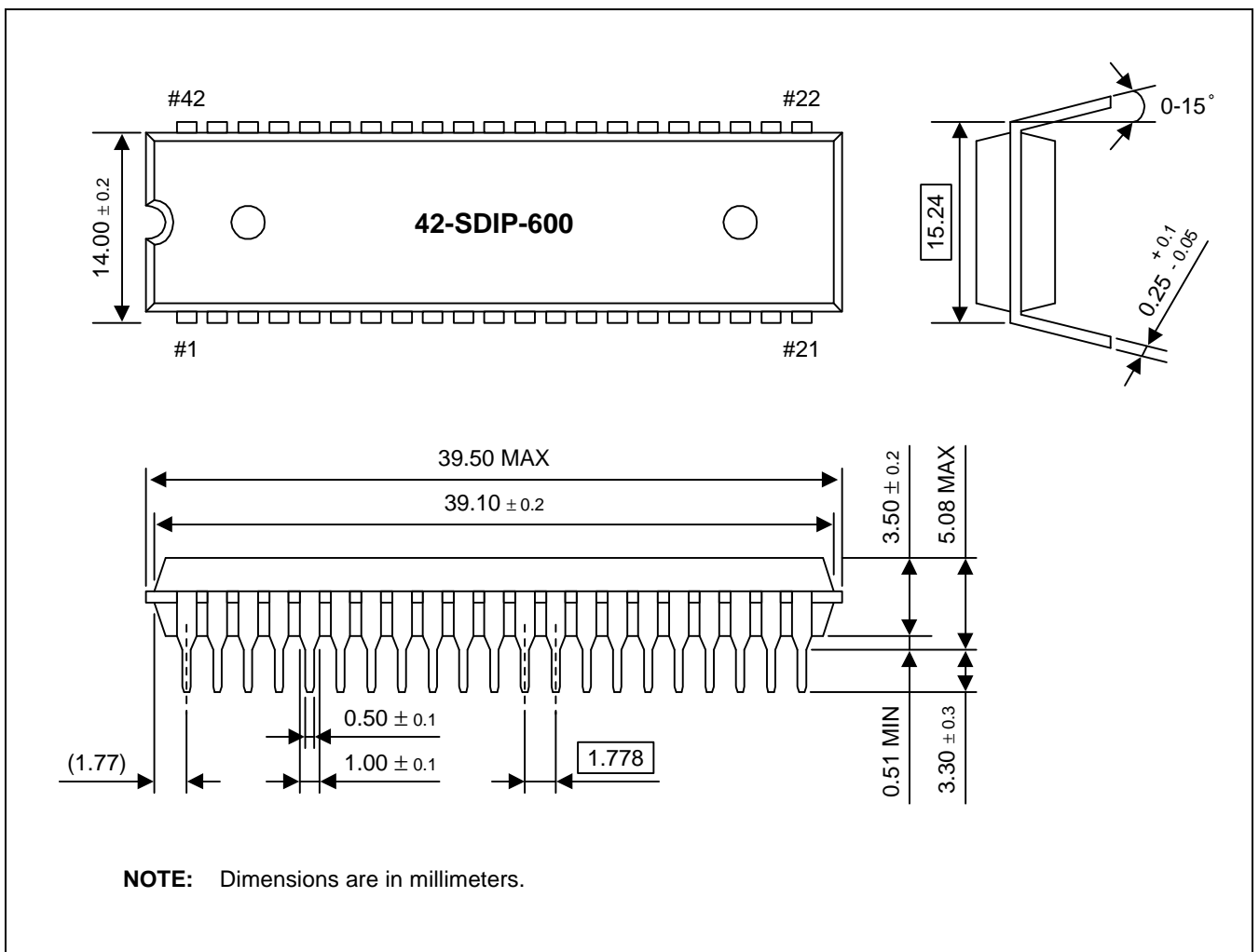


Figure 20-1. 42-Pin SDIP Package Dimensions (42-SDIP-600)

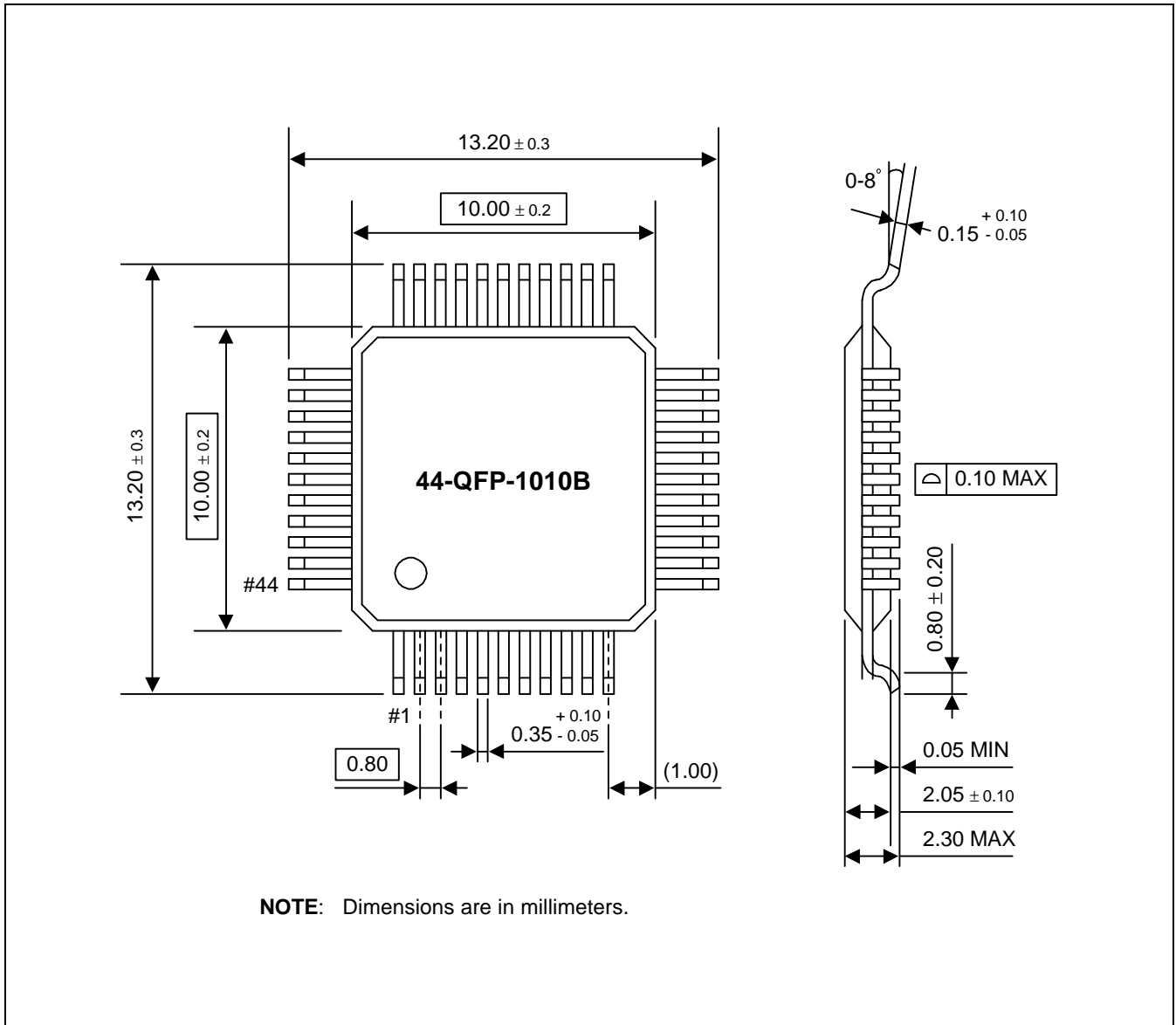


Figure 20-2. 44-Pin QFP Package Dimensions (44-QFP-1010B)

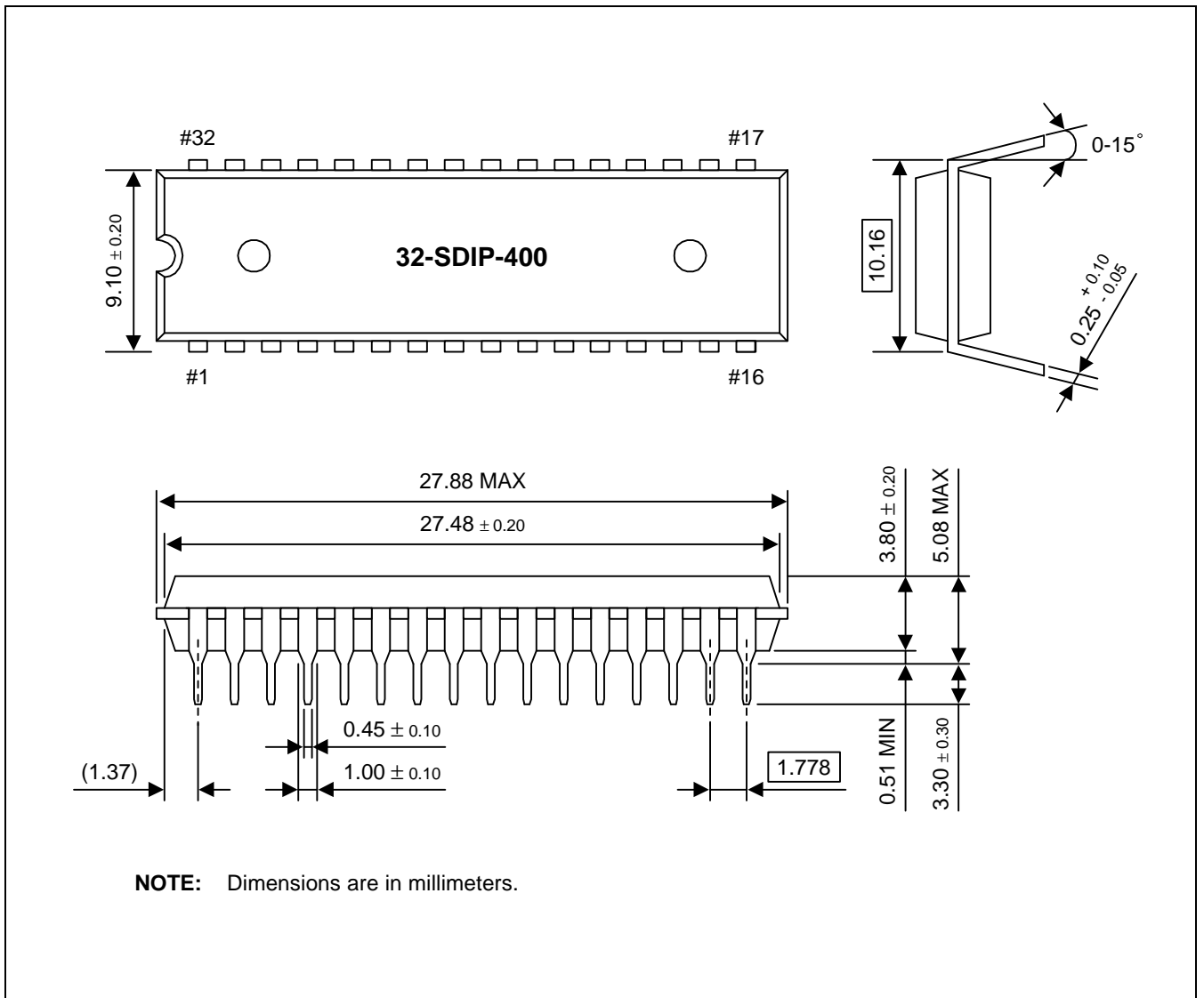


Figure 20-3. 32-Pin SDIP Package Dimensions (32-SDIP-400)

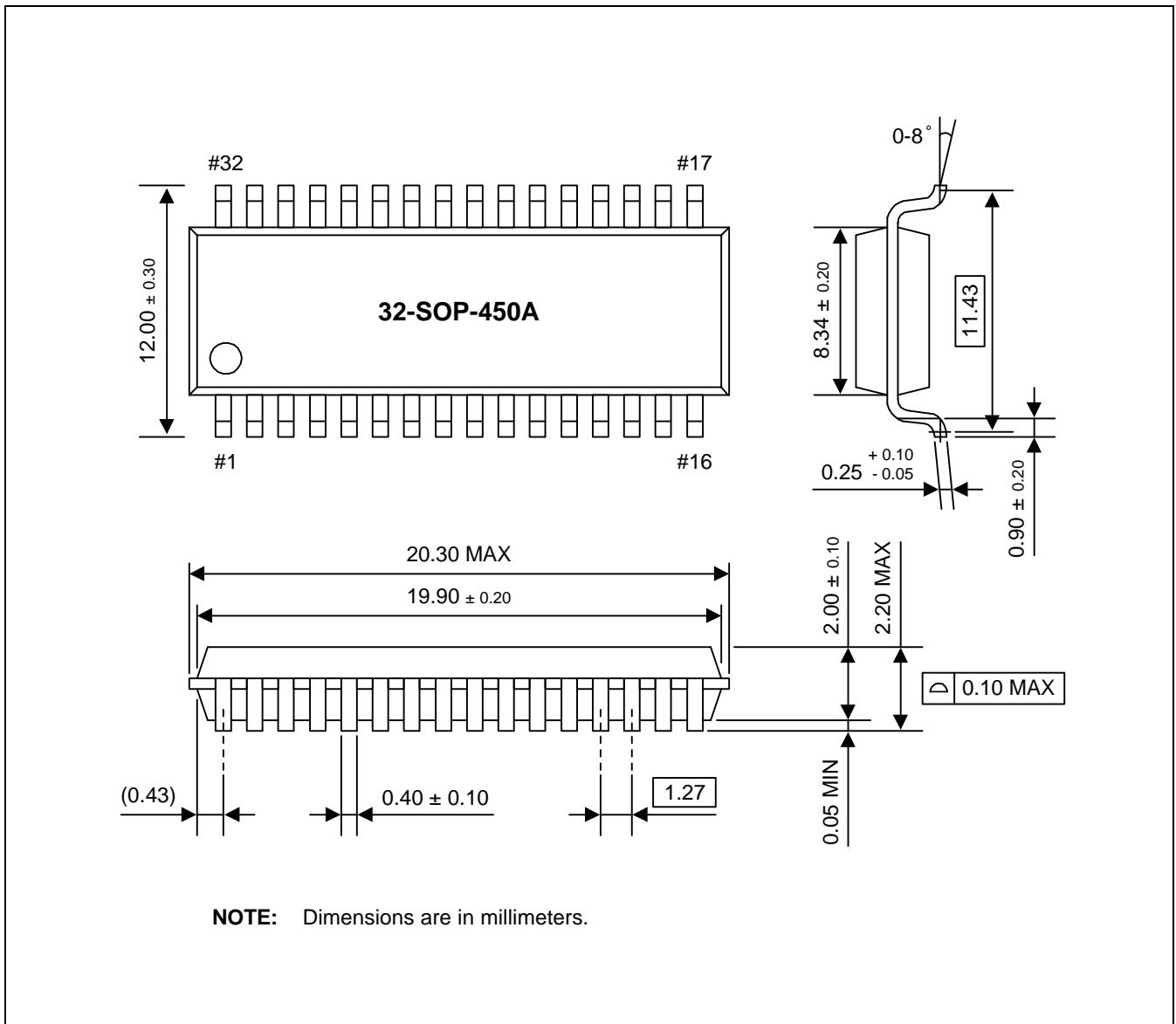


Figure 20-4. 32-Pin SOP Package Dimensions (32-SOP-450A)

21

S3P863A OTP

OVERVIEW

The S3P863A single-chip CMOS microcontroller is the OTP (One Time Programmable) version of the S3C8639/C863A microcontrollers. It has an on-chip EPROM instead of masked ROM. The EPROM is accessed by serial data format.

The S3P863A is fully compatible with the S3C8639/C863A, both in function and in pin configuration. Because of its simple programming requirements, the S3P863A is ideal for use as an evaluation chip for the S3C8639/C863A.

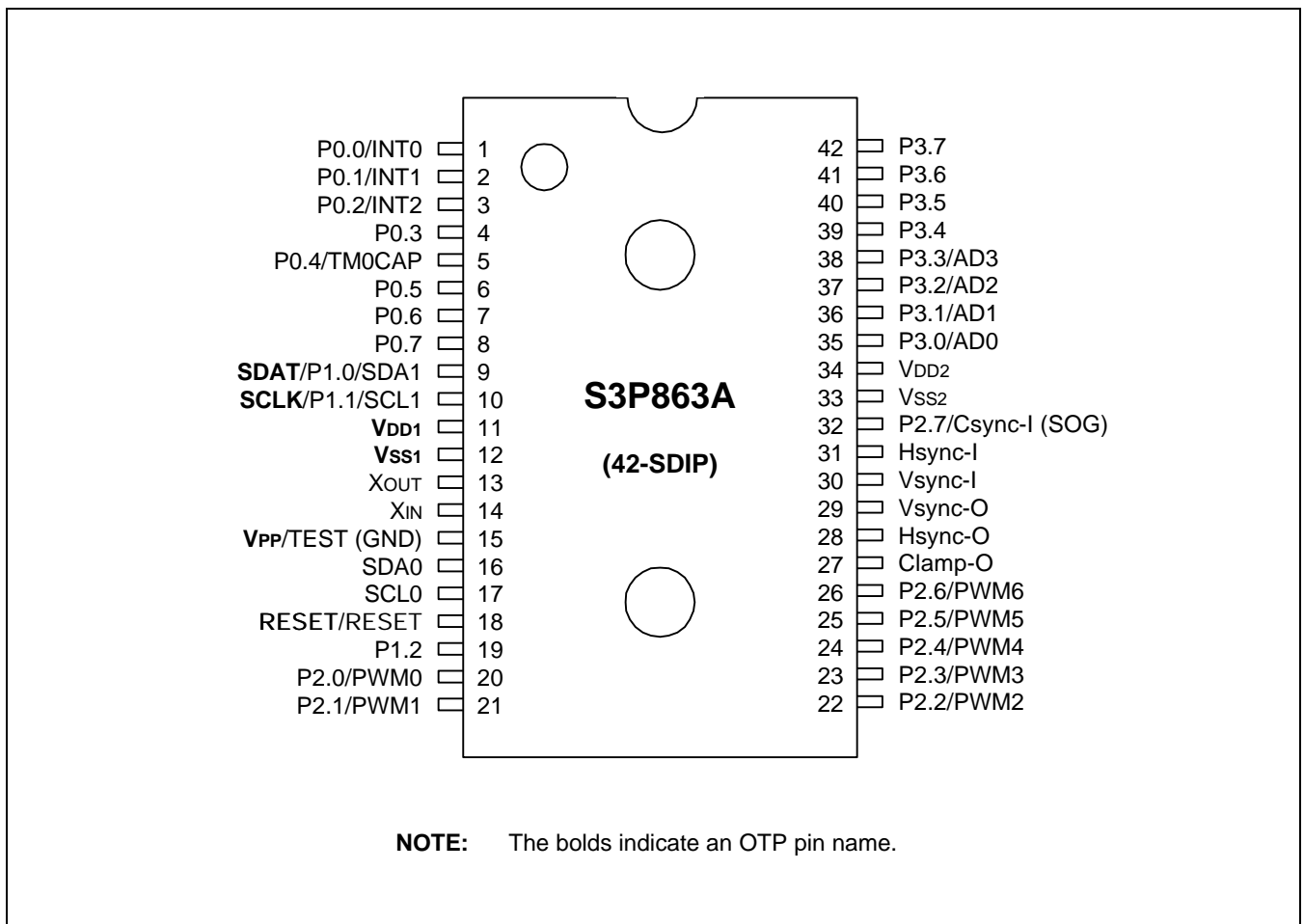


Figure 21-1. S3P863A Pin Assignments (42-SDIP Package)

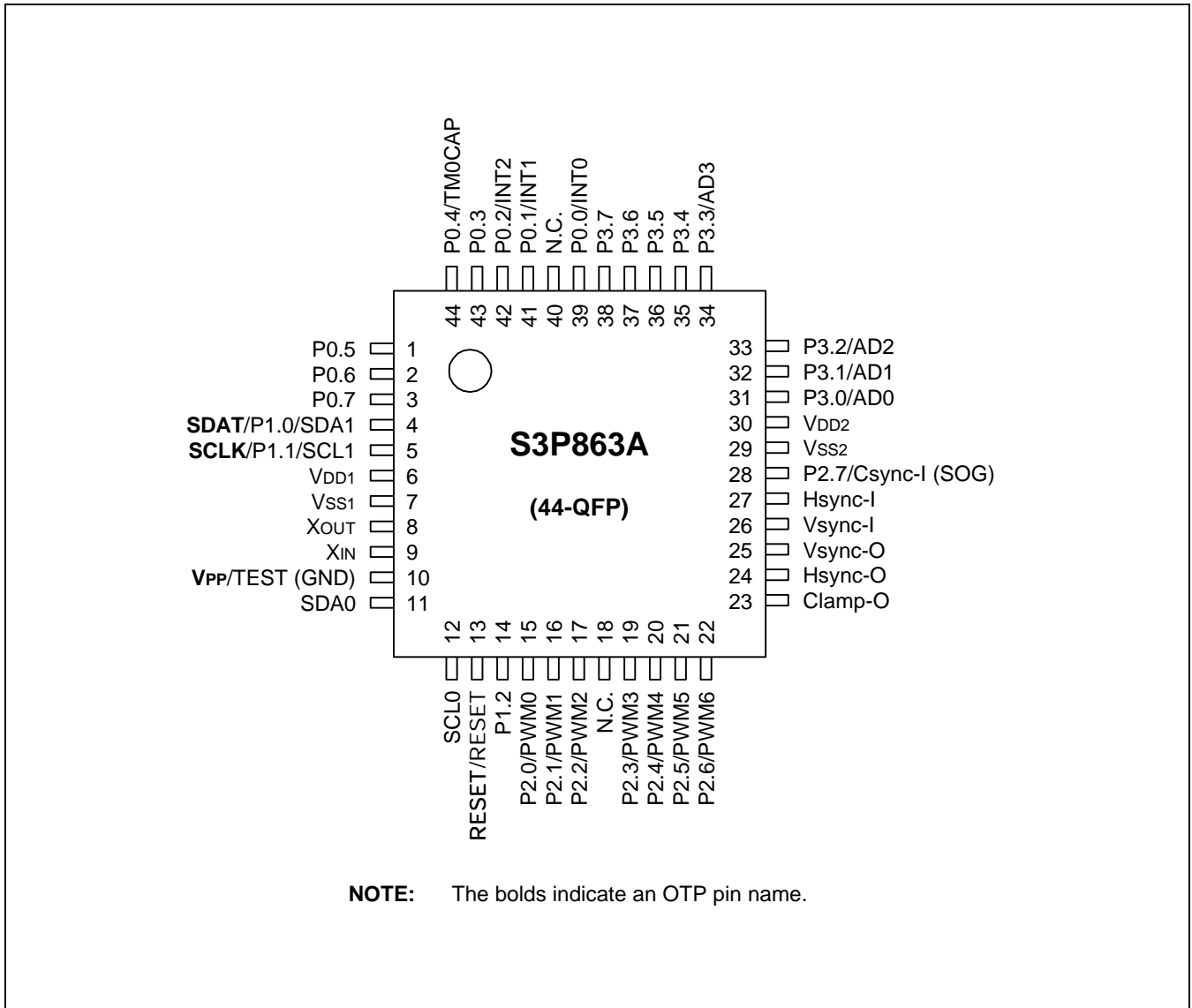


Figure 21-2. S3P863A Pin Assignments (44-QFP Package)

Table 21-1. Descriptions of Pins Used to Read/Write the EPROM

Main Chip	During Programming			
Pin Name	Pin Name	Pin Number	I/O	Function
P1.0	SDAT	9 (4)	I/O	Serial data pin. Output port when reading and input port when writing. Can be assigned as a Input/push-pull output port.
P1.1	SCLK	10 (5)	I	Serial clock pin. Input only pin.
TEST	V _{PP} (TEST)	15 (10)	I	Power supply pin for EPROM cell writing (indicates that OTP enters into the writing mode). When 12.5 V is applied, OTP is in writing mode and when 5 V is applied, OTP is in reading mode. (Option)
RESET	RESET	18 (13)	I	Chip Initialization
V _{DD1} /V _{SS1}	V _{DD1} /V _{SS1}	11/12 (6/7)	I	Logic power supply pin. V _{DD} should be tied to +5 V during programming.

NOTE: Parentheses indicate 44-QFP OTP pin number.

Table 21-2. Comparison of S3P863A and S3C8639/C863A Features

Characteristic	S3P863A	S3C8639/C863A
Program Memory	48-Kbyte EPROM	32/48-Kbyte mask ROM
Operating Voltage (V _{DD})	3.0 V to 5.5 V	3.0 V to 5.5V
OTP Programming Mode	V _{DD} = 5 V, V _{PP} (TEST) = 12.5V	
Pin Configuration	42 SDIP, 44 QFP	42 SDIP, 44 QFP
EPROM Programmability	User Program 1 time	Programmed at the factory

OPERATING MODE CHARACTERISTICS

When 12.5 V is supplied to the V_{PP}(TEST) pin of the S3P863A, the EPROM programming mode is entered. The operating mode (read, write, or read protection) is selected according to the input signals to the pins listed in Table 21-3 below.

Table 21-3. Operating Mode Selection Criteria

V _{DD}	V _{PP} (TEST)	REG/MEM	Address (A15–A0)	R/W	Mode
5 V	5 V	0	0000H	1	EPROM read
	12.5 V	0	0000H	0	EPROM program
	12.5 V	0	0000H	1	EPROM verify
	12.5 V	1	0E3FH	0	EPROM read protection

NOTE: "0" means Low level; "1" means High level.

D.C. ELECTRICAL CHARACTERISTICS

Table 21-4. D.C. Electrical Characteristics

(T_A = -40 °C to +85 °C, V_{DD} = 3.0 V to 5.5 V)

Parameter	Symbol	Conditions	Min	Typ	Max	Unit
Input High leakage current	I _{LIH1}	V _{IN} = V _{DD} All input pins except X _{IN} , X _{OUT}	-	-	3	μA
	I _{LIH2}	V _{IN} = V _{DD} ; X _{OUT} only	-	-	20	
	I _{LIH3}	V _{IN} = V _{DD} ; X _{IN} only	2.5	6	20	
Input Low leakage current	I _{LIL1}	V _{IN} = 0 V; All input pins except X _{IN} , X _{OUT} , RESET, Hsync-I and Vsync-I	-	-	-3	
	I _{LIL2}	V _{IN} = 0 V; X _{OUT} only	-	-	-20	
	I _{LIL3}	V _{IN} = 0 V; X _{IN} only	-2.5	-6	-20	
Output High leakage current	I _{LOH1}	V _{OUT} = V _{DD}	-	-	3	
Output Low leakage current	I _{LOL1}	V _{OUT} = 0 V	-	-	-3	
Pull-up resistor	R _{U1}	V _{IN} = 0 V; V _{DD} = 5 V ± 10% Port 3.7-3.4	20	47	80	kΩ
	R _{U2}	V _{IN} = 0 V; V _{DD} = 5 V ± 10% RESET only	150	280	480	
Pull-down resistor	R _D	V _{IN} = 0 V; V _{DD} = 5 V ± 10% Hsync-I and Vsync-I	150	300	500	
Supply current (note)	I _{DD1}	V _{DD} = 5 V ± 10% Operation mode; 12 MHz crystal C1 = C2 = 22pF	-	10	20	mA
	I _{DD2}	V _{DD} = 5 V ± 10% Idle mode; 12 MHz crystal C1 = C2 = 22pF		4	8	
	I _{DD3}	V _{DD} = 5 V ± 10% Stop mode		100	150	μA

NOTE: Supply current does not include drawn internal pull-up/pull-down resistors and external loads of output.

22

S3F8647 FLASH MCU

OVERVIEW

The S3F8647 single-chip CMOS microcontroller is the FLASH version of the S3C8647 microcontrollers. It has an on-chip FLASH ROM instead of masked ROM. The FLASH ROM is accessed in serial data format.

The S3F8647 is fully compatible with the S3C8647, both in function and in pin configuration. Because of its simple programming requirements, the S3F8647 is ideal for use as an evaluation chip for the S3C8647.

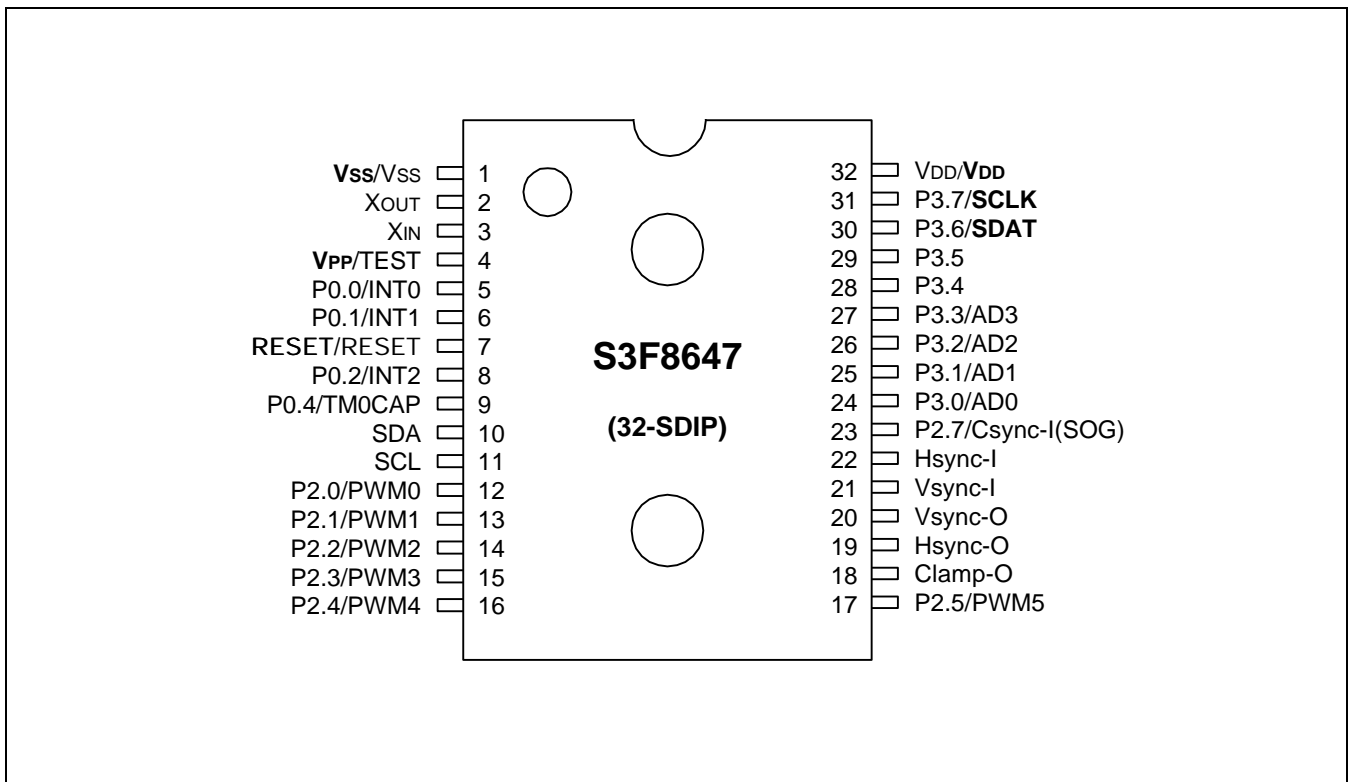


Figure 22-1. S3F8647 Pin Assignments (32-SDIP Package)

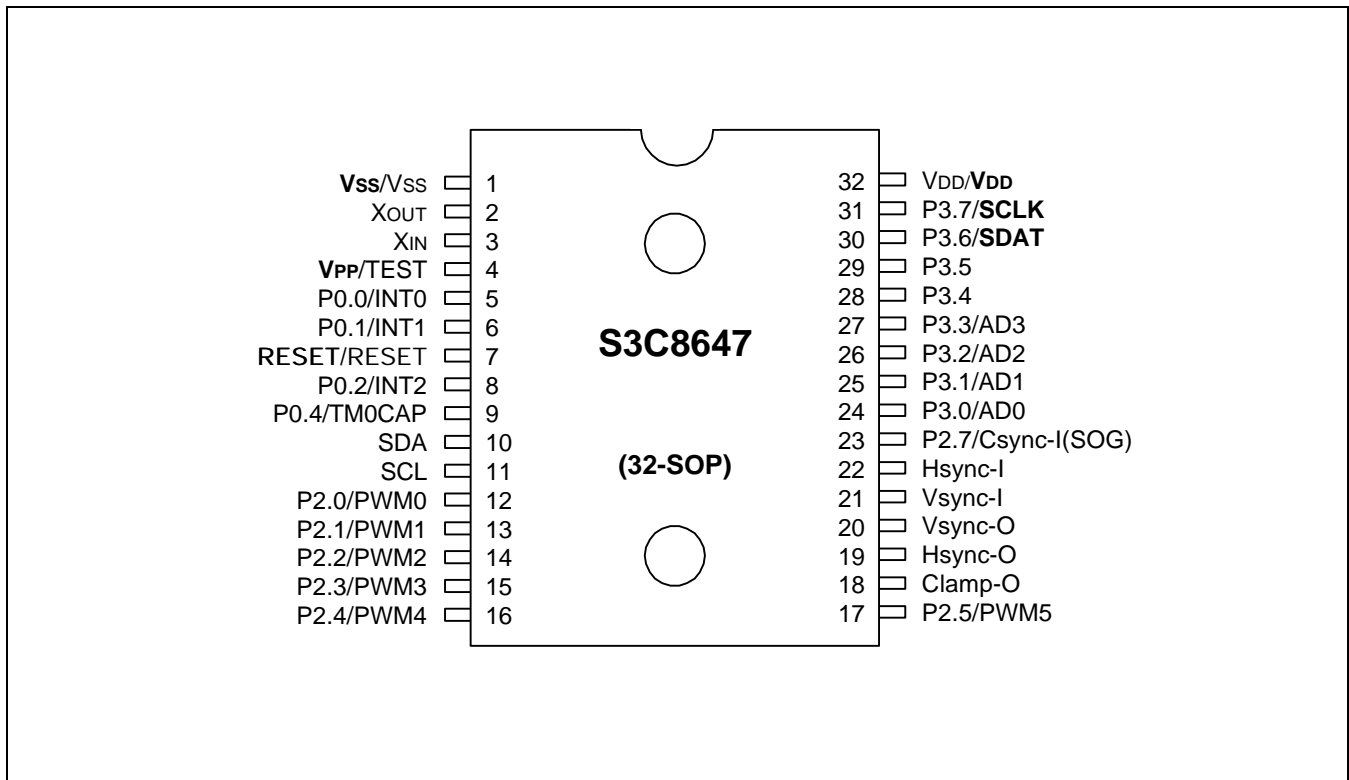


Figure 22-2. S3F8647 Pin Assignments (32-SOP Package)

Table 22-1. Descriptions of Pins Used to Read/Write the FLASH ROM

Main Chip	During Programming			
Pin Name	Pin Name	Pin Number	I/O	Function
P3.6	SDAT	30	I/O	Serial data pin. Output port when reading and input port when writing. Can be assigned as a Input/push-pull output port.
P3.7	SCLK	31	I	Serial clock pin. Input only pin.
TEST	V _{PP} (TEST)	4	I	Power supply pin for EPROM cell writing (indicates that OTP enters into the writing mode). When 12.5 V is applied, OTP is in writing mode and when 5 V is applied, OTP is in reading mode. (Option)
RESET	RESET	7	I	Chip Initialization
V _{DD} /V _{SS}	V _{DD} /V _{SS}	32/1	I	Logic power supply pin. V _{DD} should be tied to +5 V during programming.

Table 22-2. Comparison of S3F8647 and S3C8647 Features

Characteristic	S3F8647	S3C8647
Program Memory	24-Kbyte flash ROM	24-Kbyte mask ROM
Operating Voltage (V _{DD})	4.0 V to 5.5 V	4.0 V to 5.5V
OTP Programming Mode	V _{DD} = 5 V, V _{PP} (TEST) = 12.5V	
Pin Configuration	32 SDIP	32 SDIP
EPROM Programmability	User Program 1 time	Programmed at the factory

D.C. ELECTRICAL CHARACTERISTICS

Table 22-3. D.C. Electrical Characteristics

 $(V_{DD} = 4.0\text{ V to } 5.5\text{ V})$

Parameter	Symbol	Conditions	Min	Typ	Max	Unit
Input High leakage current	I_{LIH1}	$V_{IN} = V_{DD}$ All input pins except X_{IN} , X_{OUT}	–	–	3	μA
	I_{LIH2}	$V_{IN} = V_{DD}$; X_{OUT} only	–	–	20	
	I_{LIH3}	$V_{IN} = V_{DD}$; X_{IN} only	2.5	6	20	
Input Low leakage current	I_{LIL1}	$V_{IN} = 0\text{ V}$; All input pins except X_{IN} , X_{OUT} , RESET, Hsync-I and Vsync-I	–	–	–3	
	I_{LIL2}	$V_{IN} = 0\text{ V}$; X_{OUT} only	–	–	–20	
	I_{LIL3}	$V_{IN} = 0\text{ V}$; X_{IN} only	–2.5	–6	–20	
Output High leakage current	I_{LOH1}	$V_{OUT} = V_{DD}$	–	–	3	
Output Low leakage current	I_{LOL1}	$V_{OUT} = 0\text{ V}$	–	–	–3	
Pull-up resistor	R_{U1}	$V_{IN} = 0\text{ V}$; $V_{DD} = 5\text{ V} \pm 10\%$ Port 3.7–3.4	20	47	80	$\text{k}\Omega$
	R_{U2}	$V_{IN} = 0\text{ V}$; $V_{DD} = 5\text{ V} \pm 10\%$ RESET only	150	280	480	
Pull-down resistor	R_D	$V_{IN} = 0\text{ V}$; $V_{DD} = 5\text{ V} \pm 10\%$ Hsync-I and Vsync-I	150	300	500	
Supply current (note)	I_{DD1}	$V_{DD} = 5\text{ V} \pm 10\%$ Operation mode; 12 MHz crystal $C1 = C2 = 22\text{pF}$	–	10	20	mA
	I_{DD2}	$V_{DD} = 5\text{ V} \pm 10\%$ Idle mode; 12 MHz crystal $C1 = C2 = 22\text{pF}$		4	8	
	I_{DD3}	$V_{DD} = 5\text{ V} \pm 10\%$ Stop mode		100	150	μA

NOTE: Supply current does not include drawn internal pull-up/pull-down resistors and external loads of output.

NOTES

23

DEVELOPMENT TOOLS

OVERVIEW

Samsung provides a powerful and easy-to-use development support system in turnkey form. The development support system is configured with a host system, debugging tools, and support software. For the host system, any standard computer that operates with MS-DOS as its operating system can be used. One type of debugging tool including hardware and software is provided: the sophisticated and powerful in-circuit emulator, SMDS2+, for S3C7, S3C9, S3C8 families of microcontrollers. The SMDS2+ is a new and improved version of SMDS2. Samsung also offers support software that includes debugger, assembler, and a program for setting options.

SHINE

Samsung Host Interface for In-Circuit Emulator, SHINE, is a multi-window based debugger for SMDS2+. SHINE provides pull-down and pop-up menus, mouse support, function/hot keys, and context-sensitive hyper-linked help. It has an advanced, multiple-windowed user interface that emphasizes ease of use. Each window can be sized, moved, scrolled, highlighted, added, or removed completely.

SAMA ASSEMBLER

The Samsung Arrangeable Microcontroller (SAM) Assembler, SAMA, is a universal assembler, and generates object code in standard hexadecimal format. Assembled program code includes the object code that is used for ROM data and required SMDS program control data. To assemble programs, SAMA requires a source file and an auxiliary definition (DEF) file with device specific information.

SASM88

The SASM88 is an relocatable assembler for Samsung's S3C8-series microcontrollers. The SASM88 takes a source file containing assembly language statements and translates into a corresponding source code, object code and comments. The SASM88 supports macros and conditional assembly. It runs on the MS-DOS operating system. It produces the relocatable object code only, so the user should link object file. Object files can be linked with other object files and loaded into memory.

HEX2ROM

HEX2ROM file generates ROM code from HEX file which has been produced by assembler. ROM code must be needed to fabricate a microcontroller which has a mask ROM. When generating the ROM code (.OBJ file) by HEX2ROM, the value "FF" is filled into the unused ROM area upto the maximum ROM size of the target device automatically.

TARGET BOARDS

Target boards are available for all S3C8-series microcontrollers. All required target system cables and adapters are included with the device-specific target board.

OTPs

One time programmable microcontroller (OTP) for the S3C8639/C863A microcontroller and OTP programmer (Gang) are now available.

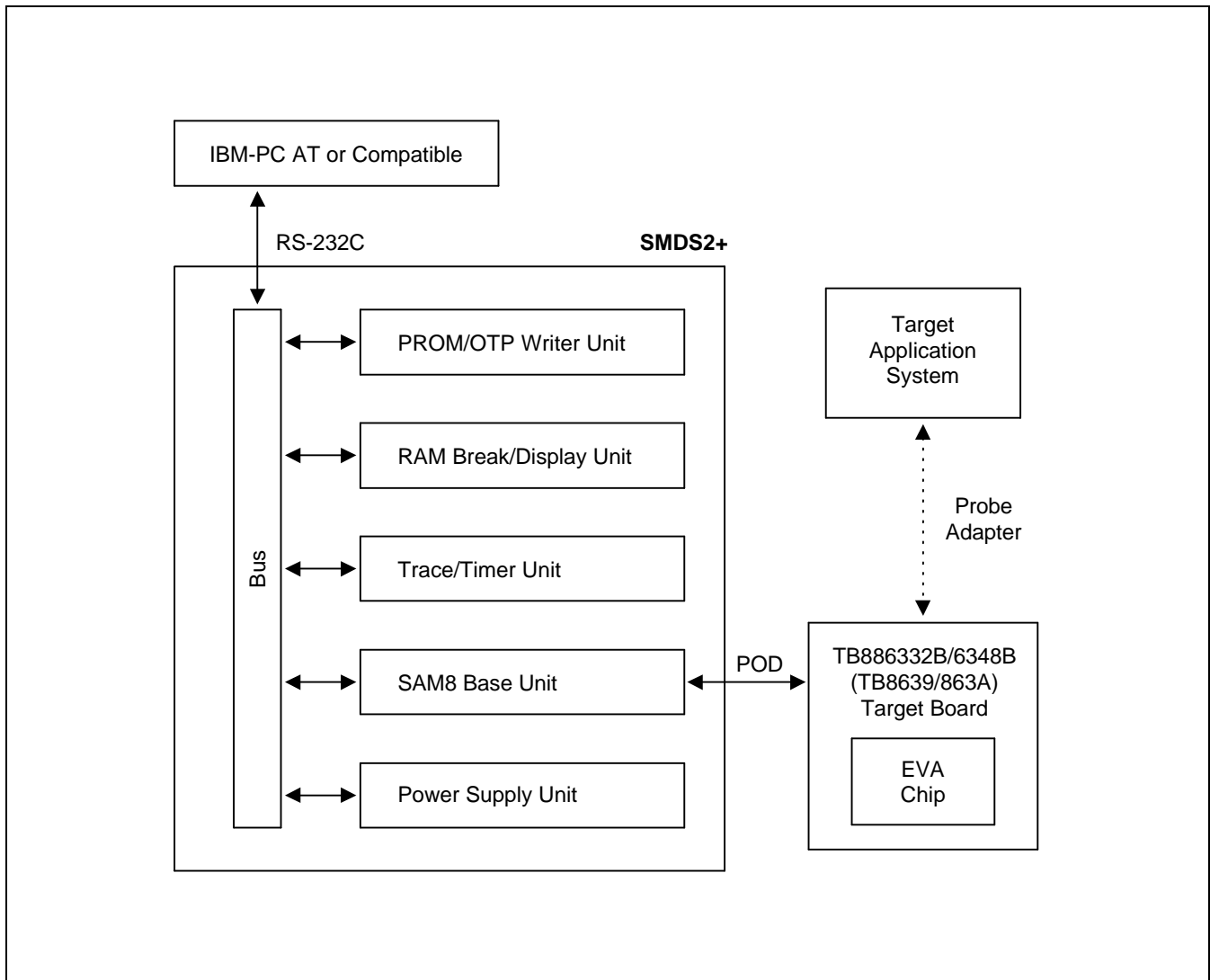


Figure 23-1. SMDS Product Configuration (SMDS2+)

TB886332B/6348B (TB8639/863A) TARGET BOARD

The TB886332B/6348B (TB8639/863A) target board is used for the S3C8639/C863A microcontroller. It is supported by the SMDS2+ development system.

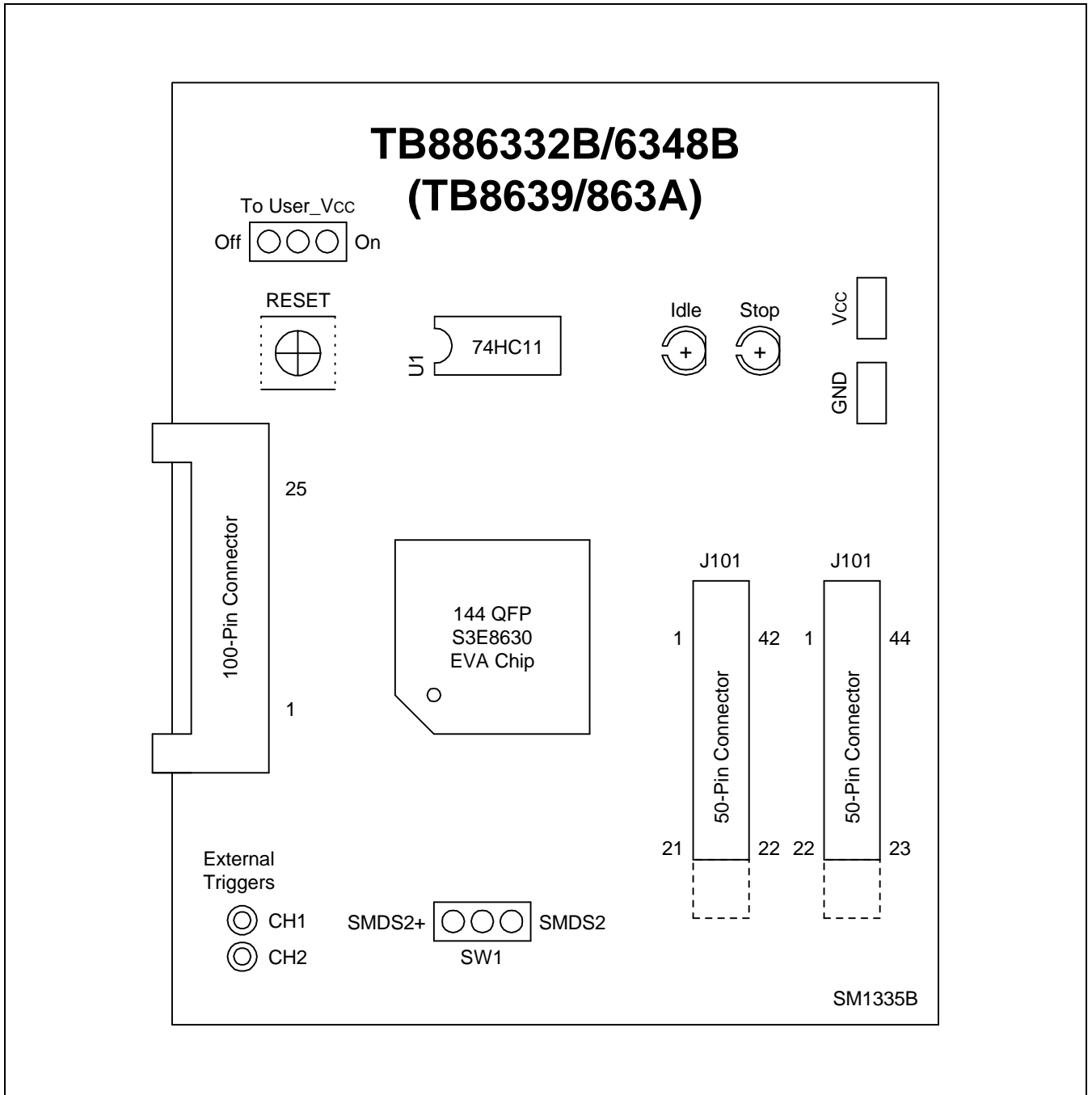


Figure 23-2. TB886332B/6348B (TB8639/863A) Target Board Configuration

TB886424A (TB8647) TARGET BOARD

The TB886424A (TB8647) target board is used for the S3C8647 microcontroller. It is supported by the SMDS2+ development system.

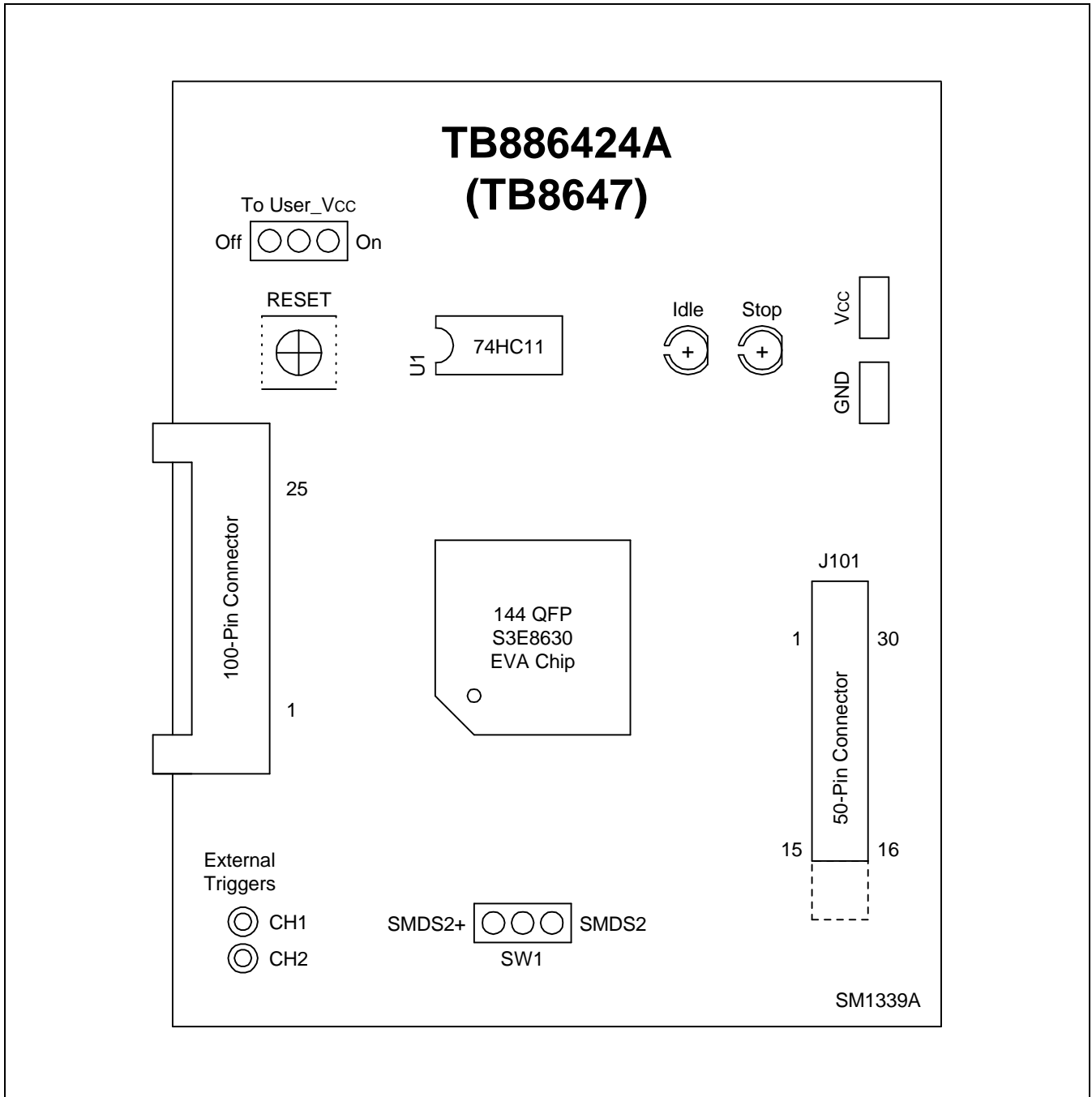


Figure 23-3. TB886424A (TB8647) Target Board Configuration

Table 23-1. Power Selection Settings for TB886332B/TB886348B (TB8639/863A)

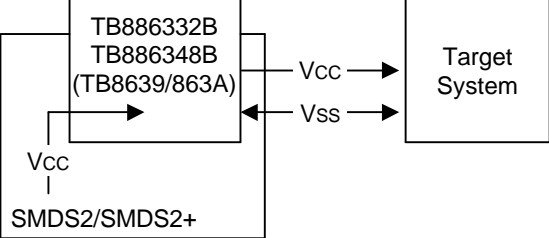
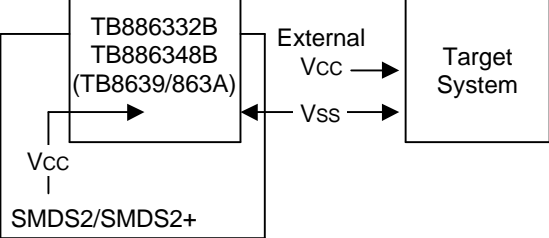
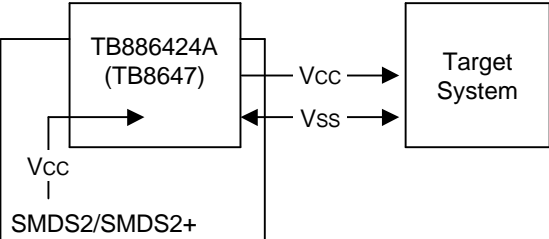
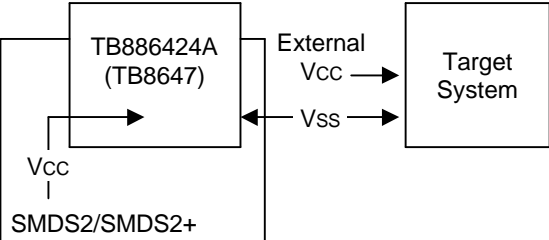
"To User_Vcc" Settings	Operating Mode	Comments
To User_Vcc OFF <input type="radio"/> <input checked="" type="radio"/> <input type="radio"/> ON		The SMDS2/SMDS2+ supplies V _{CC} to the target board (evaluation chip) and the target system.
To User_Vcc OFF <input checked="" type="radio"/> <input type="radio"/> <input type="radio"/> ON		The SMDS2/SMDS2+ supplies V _{CC} only to the target board (evaluation chip). The target system must have its own power supply.

Table 23-2. Power Selection Settings for TB886424A (TB8647)

"To User_Vcc" Settings	Operating Mode	Comments
To User_Vcc OFF <input type="radio"/> <input checked="" type="radio"/> <input type="radio"/> ON		The SMDS2/SMDS2+ supplies V _{CC} to the target board (evaluation chip) and the target system.
To User_Vcc OFF <input checked="" type="radio"/> <input type="radio"/> <input type="radio"/> ON		The SMDS2/SMDS2+ supplies V _{CC} only to the target board (evaluation chip). The target system must have its own power supply.

SMDS2+ SELECTION (SAM8)

In order to write data into program memory that is available in SMDS2+, the target board should be selected to be for SMDS2+ through a switch as follows. Otherwise, the program memory writing function is not available.

Table 23-3. The SMDS2+ Tool Selection Setting


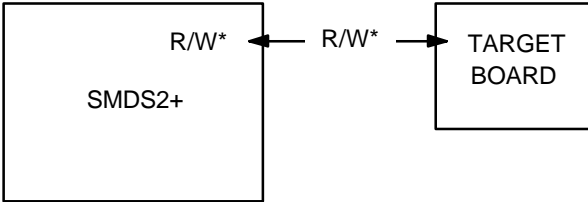


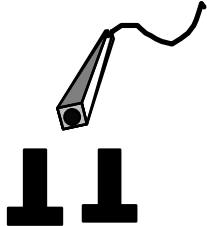
"SW1" Setting	Operating Mode
SMDS2  SMDS2+	

Table 23-4. Using Single Header Pins as the Input Path for External Trigger Sources

Target Board Part	Comments
EXTERNAL TRIGGERS  CH1  CH2	 <p>Connector from external trigger sources of the application system</p> <p>You can connect an external trigger source to one of the two external trigger channels (CH1 or CH2) for the SMDS2+ breakpoint and trace functions.</p>

IDLE LED

This LED is ON when the evaluation chip (S3E8630) is in idle mode.

STOP LED

This LED is ON when the evaluation chip (S3E8630) is in stop mode.

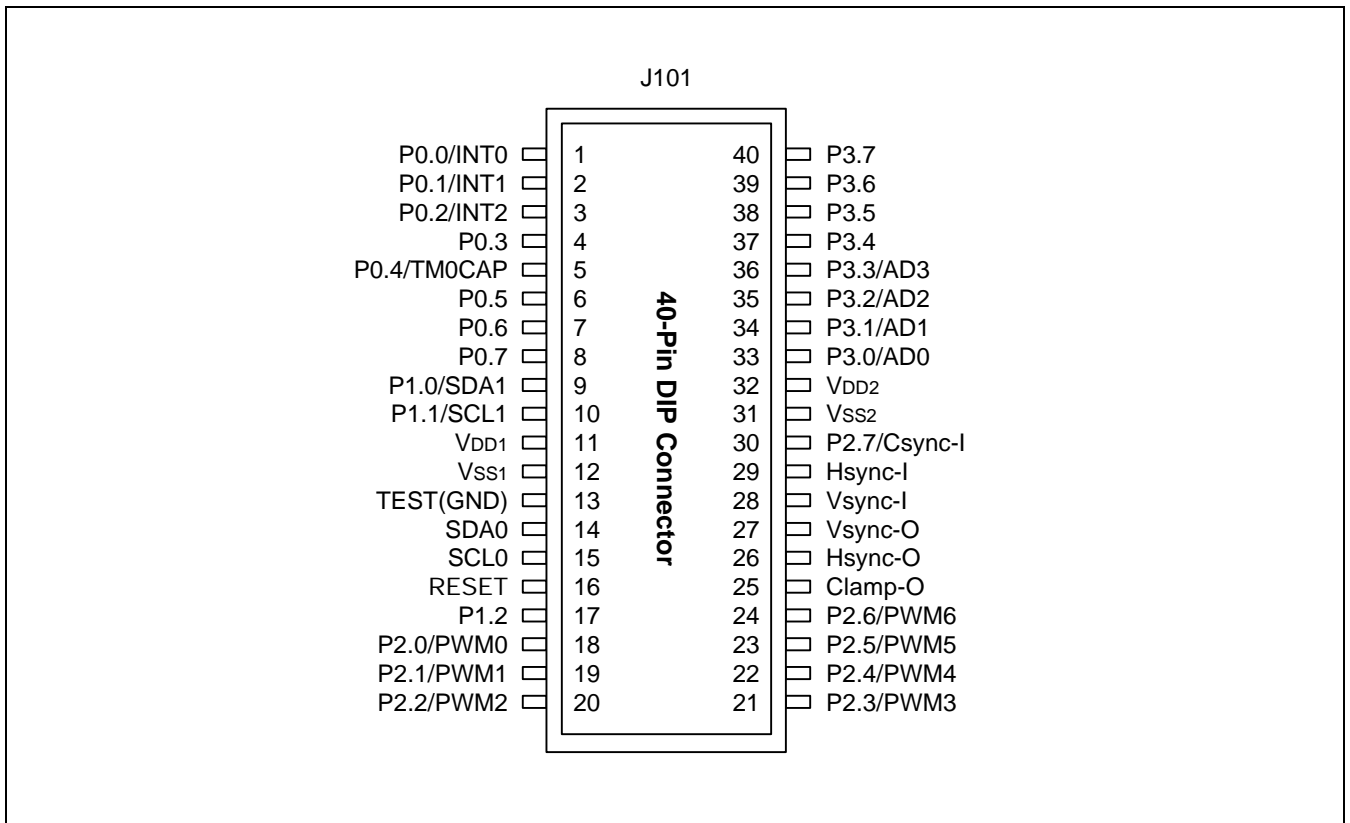


Figure 23-4. 40-Pin Connector for TB886332B/6348B (TB8639/A)

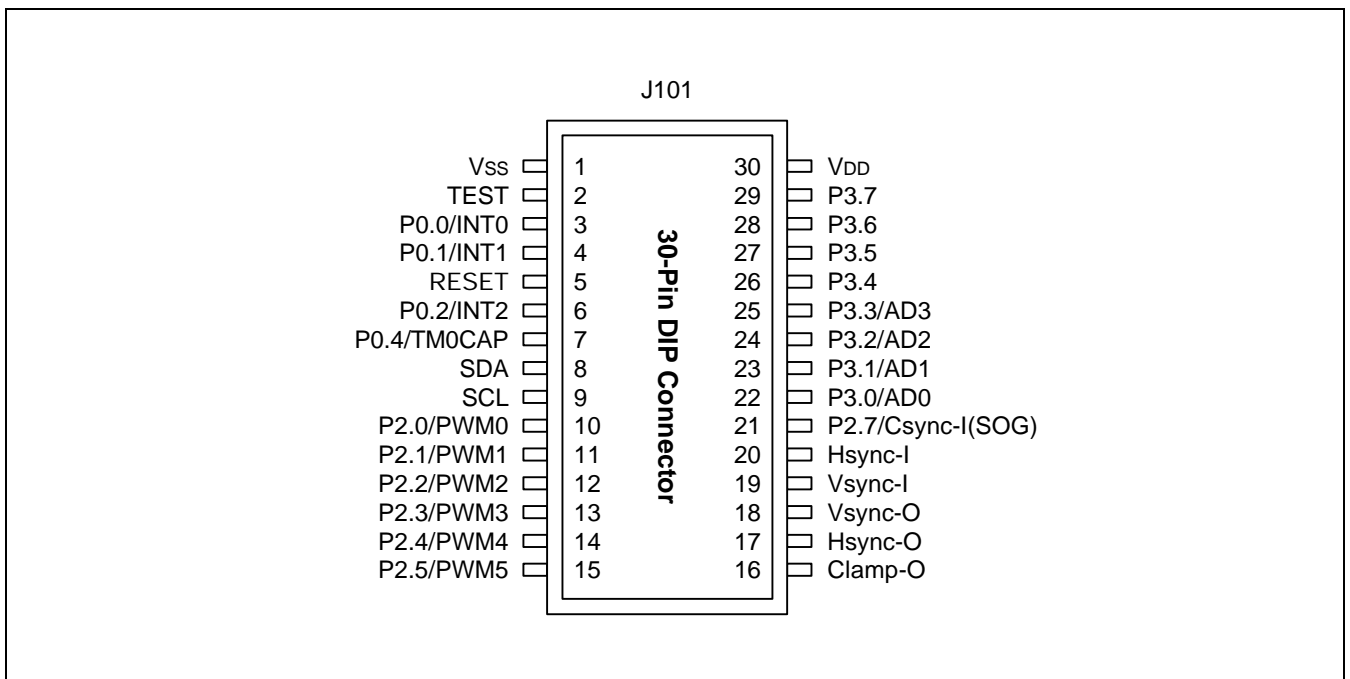


Figure 23-5. 30-Pin Connector for TB886424A (TB8647)

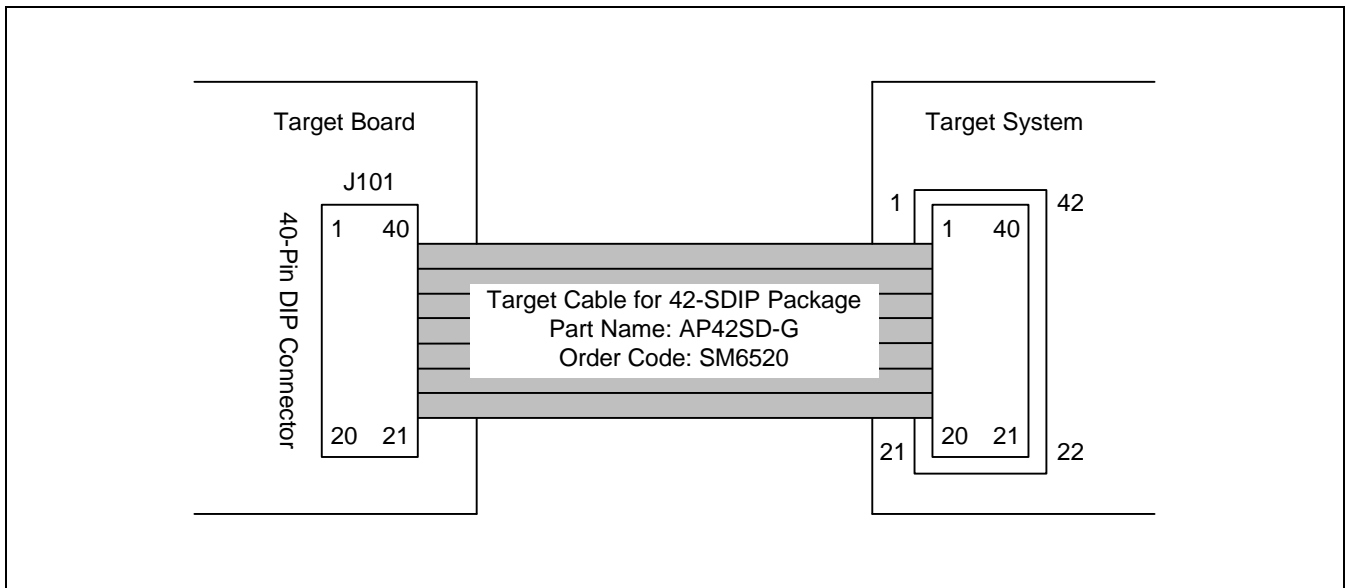


Figure 23-6. TB886332B/6348B (TB8639/A) Adapter Cable for 42-SDIP Package

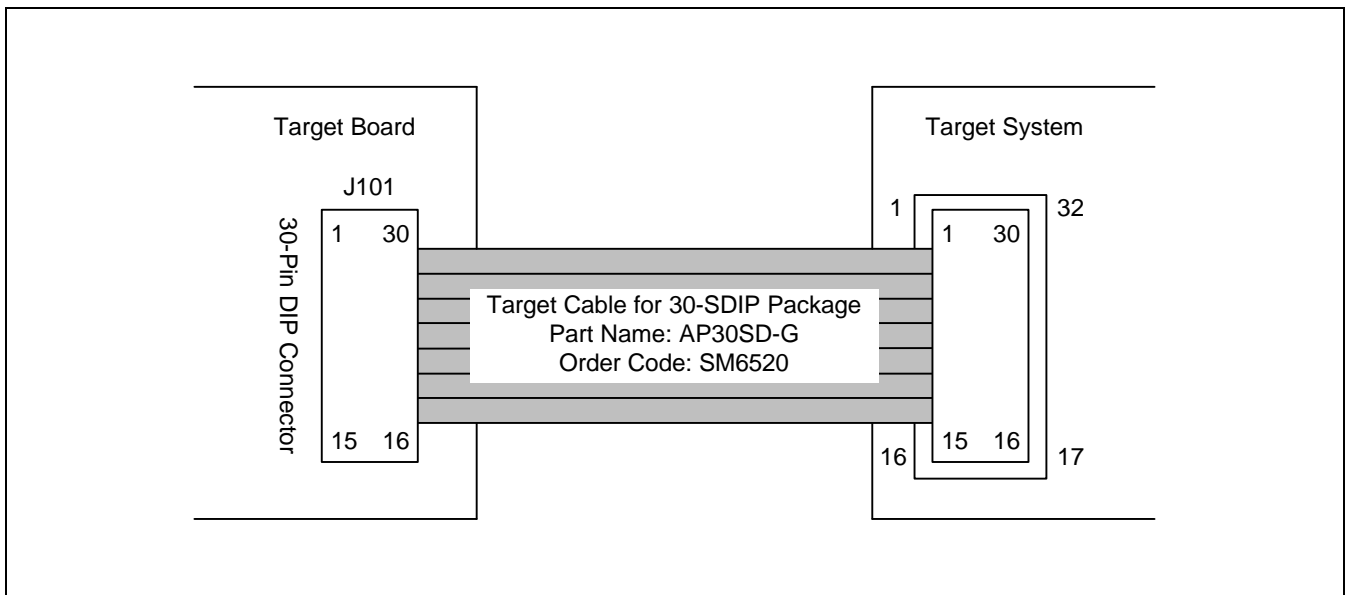


Figure 23-7. TB886424A (TB8647) Adapter Cable for 32-SDIP Package