

# 6A SINGLE HIGH-SPEED, CMOS POWER MOSFET DRIVER

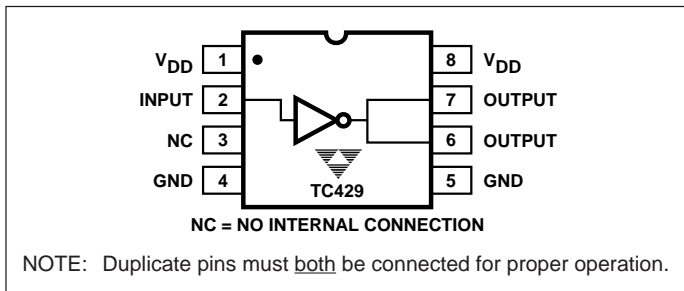
## FEATURES

- High Peak Output Current ..... 6A
- Wide Operating Range ..... 7V to 18V
- High-Impedance CMOS Logic Input
- Logic Input Threshold Independent of Supply Voltage
- Low Supply Current
  - With Logic 1 Input ..... 5mA Max
  - With Logic 0 Input ..... 0.5mA Max
- Output Voltage Swing Within 25 mV of Ground or  $V_{DD}$
- Short Delay Time ..... 75nsec Max
- High Capacitive Load Drive Capability
  - $t_{RISE}, t_{FALL} = 35nsec$  Max With  $C_{LOAD} = 2500pF$

## APPLICATIONS

- Switch-Mode Power Supplies
- CCD Drivers
- Pulse Transformer Drive
- Class D Switching Amplifiers

## PIN CONFIGURATION



## GENERAL DESCRIPTION

The TC429 is a high-speed, single CMOS-level translator and driver. Designed specifically to drive highly capacitive power MOSFET gates, the TC429 features  $2.5\Omega$  output impedance and 6A peak output current drive.

A 2500pF capacitive load will be driven 18V in 25nsec. Delay time through the device is 60nsec. The rapid switching times with large capacitive loads minimize MOSFET transition power loss.

A TTL/CMOS input logic level is translated into an output voltage swing that equals the supply and will swing to within 25mV of ground or  $V_{DD}$ . Input voltage swing may equal the supply. Logic input current is under  $10\mu A$ , making direct interface to CMOS/bipolar switch-mode power supply controllers easy. Input "speed-up" capacitors are not required.

The CMOS design minimizes quiescent power supply current. With a logic 1 input, power supply current is 5mA maximum and decreases to 0.5mA for logic 0 inputs.

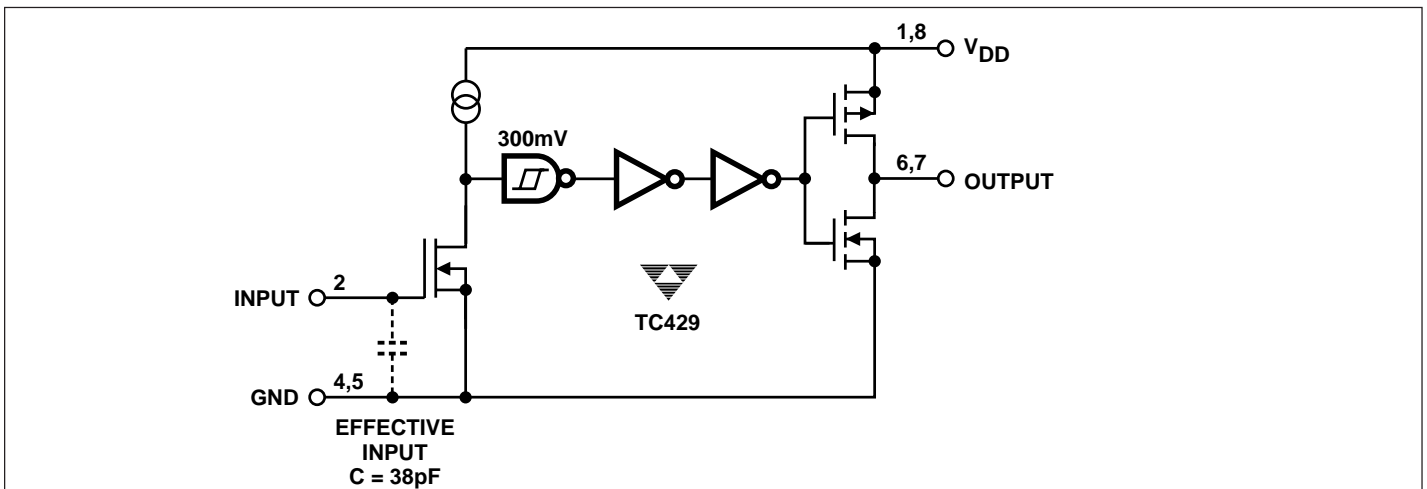
For dual devices, see the TC426/TC427/TC428 data sheet.

For noninverting applications, or applications requiring latch-up protection, see the TC4420/TC4429 data sheet.

## ORDERING INFORMATION

Part No.	Package	Temperature Range
TC429CPA	8-Pin Plastic DIP	0°C to +70°C
TC429EPA	8-Pin Plastic DIP	-40°C to +85°C
TC429MJA	8-Pin CerDIP	-55°C to +125°C

## TYPICAL APPLICATION



# 6A SINGLE HIGH-SPEED, CMOS POWER MOSFET DRIVER

## TC429

### ABSOLUTE MAXIMUM RATINGS\*

Supply Voltage .....	+20V
Input Voltage, Any Terminal .....	$V_{DD} + 0.3V$ to GND – 0.3V
Power Dissipation ( $T_A \leq 70^\circ\text{C}$ )	
Plastic DIP .....	730mW
CerDIP .....	800mW
Derating Factors	
Plastic DIP .....	5.6 mW/ $^\circ\text{C}$ Above 36 $^\circ\text{C}$
CerDIP .....	6.4 mW/ $^\circ\text{C}$
Operating Temperature Range	
C Version .....	0 $^\circ\text{C}$ to +70 $^\circ\text{C}$
I Version .....	– 25 $^\circ\text{C}$ to +85 $^\circ\text{C}$
E Version .....	– 40 $^\circ\text{C}$ to +85 $^\circ\text{C}$
M Version .....	– 55 $^\circ\text{C}$ to +125 $^\circ\text{C}$

Maximum Chip Temperature .....	+150 $^\circ\text{C}$
Storage Temperature Range .....	– 65 $^\circ\text{C}$ to +150 $^\circ\text{C}$
Lead Temperature (Soldering, 10 sec) .....	+300 $^\circ\text{C}$

\*Static-sensitive device. Unused devices must be stored in conductive material. Protect devices from static discharge and static fields. Stresses above those listed under Absolute Maximum Ratings may cause permanent damage to the device. These are stress ratings only and functional operation of the device at these or any other conditions above those indicated in the operational sections of the specifications is not implied. Exposure to Absolute Maximum Rating Conditions for extended periods may affect device reliability.

### ELECTRICAL CHARACTERISTICS: $T_A = +25^\circ\text{C}$ with $7V \leq V_{DD} \leq 18V$ , unless otherwise specified.

Symbol	Parameter	Test Conditions	Min	Typ	Max	Unit
<b>Input</b>						
$V_{IH}$	Logic 1, High Input Voltage		2.4	1.8	—	V
$V_{IL}$	Logic 0, Low Input Voltage		—	1.3	0.8	V
$I_{IN}$	Input Current	$0V \leq V_{IN} \leq V_{DD}$	– 10	—	10	$\mu\text{A}$
<b>Output</b>						
$V_{OH}$	High Output Voltage		$V_{DD} - 0.025$	—	—	V
$V_{OL}$	Low Output Voltage		—	—	0.025	V
$R_O$	Output Resistance	$V_{IN} = 0.8V,$ $I_{OUT} = 10\text{mA}, V_{DD} = 18V$ $V_{IN} = 2.4V,$ $I_{OUT} = 10\text{mA}, V_{DD} = 18V$	—	1.8	2.5	$\Omega$
$I_{PK}$	Peak Output Current	$V_{DD} = 18V$ (See Figure 3)	—	6	—	A
<b>Switching Time (Note 1)</b>						
$t_R$	Rise Time	Figure 1, $C_L = 2500\text{pF}$	—	23	35	nsec
$t_F$	Fall Time	Figure 1, $C_L = 2500\text{pF}$	—	25	35	nsec
$t_{D1}$	Delay Time	Figure 1	—	53	75	nsec
$t_{D2}$	Delay Time	Figure 1	—	60	75	nsec
<b>Power Supply</b>						
$I_S$	Power Supply Current	$V_{IN} = 3V$ $V_{IN} = 0V$	—	3.5	5	mA
			—	0.3	0.5	

NOTES: 1. Switching times guaranteed by design.

# 6A SINGLE HIGH-SPEED, CMOS POWER MOSFET DRIVER

TC429

**ELECTRICAL CHARACTERISTICS:** Over operating temperature with  $7V \leq V_{DD} \leq 18V$ , unless otherwise specified.

Symbol	Parameter	Test Conditions	Min	Typ	Max	Unit
<b>Input</b>						
$V_{IH}$	Logic 1, High Input Voltage		2.4	—	—	V
$V_{IL}$	Logic 0, Low Input Voltage		—	—	0.8	V
$I_{IN}$	Input Current	$0V \leq V_{IN} \leq V_{DD}$	-10	—	10	$\mu A$
<b>Output</b>						
$V_{OH}$	High Output Voltage		$V_{DD} - 0.025$	—	—	V
$V_{OL}$	Low Output Voltage		—	—	0.025	V
$R_O$	Output Resistance	$V_{IN} = 0.8V,$ $I_{OUT} = 10\text{ mA}, V_{DD} = 18V$ $V_{IN} = 2.4V,$ $I_{OUT} = 10\text{ mA}, V_{DD} = 18V$	—	—	5	$\Omega$
<b>Switching Time (Note 1)</b>						
$t_R$	Rise Time	Figure 1, $C_L = 2500\text{pF}$	—	—	70	nsec
$t_F$	Fall Time	Figure 1, $C_L = 2500\text{pF}$	—	—	70	nsec
$t_{D1}$	Delay Time	Figure 1	—	—	100	nsec
$t_{D2}$	Delay Time	Figure 1	—	—	120	nsec
<b>Power Supply</b>						
$I_S$	Power Supply Current	$V_{IN} = 3V$ $V_{IN} = 0V$	—	—	12	mA

NOTE: 1. Switching times guaranteed by design.

## SWITCHING SPEED

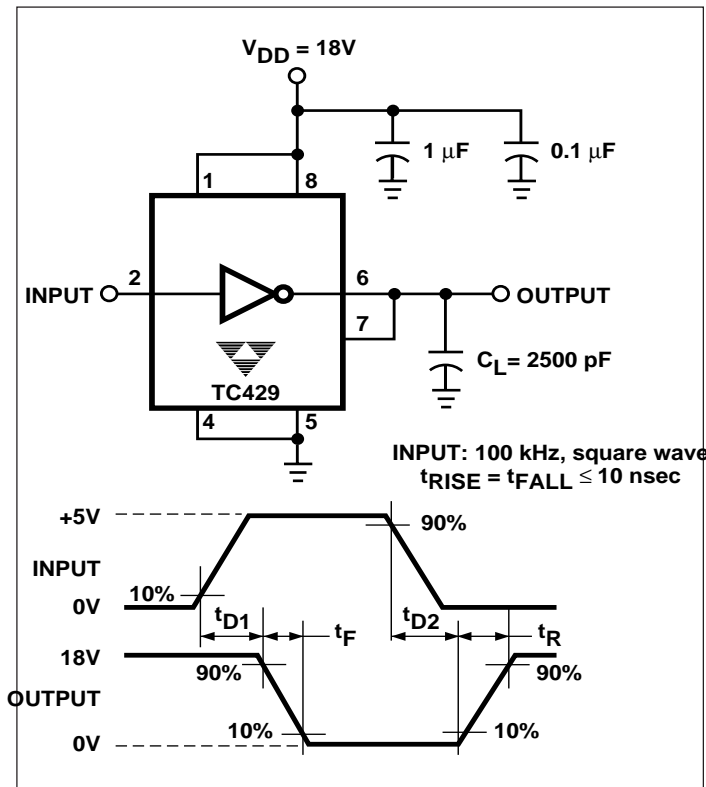
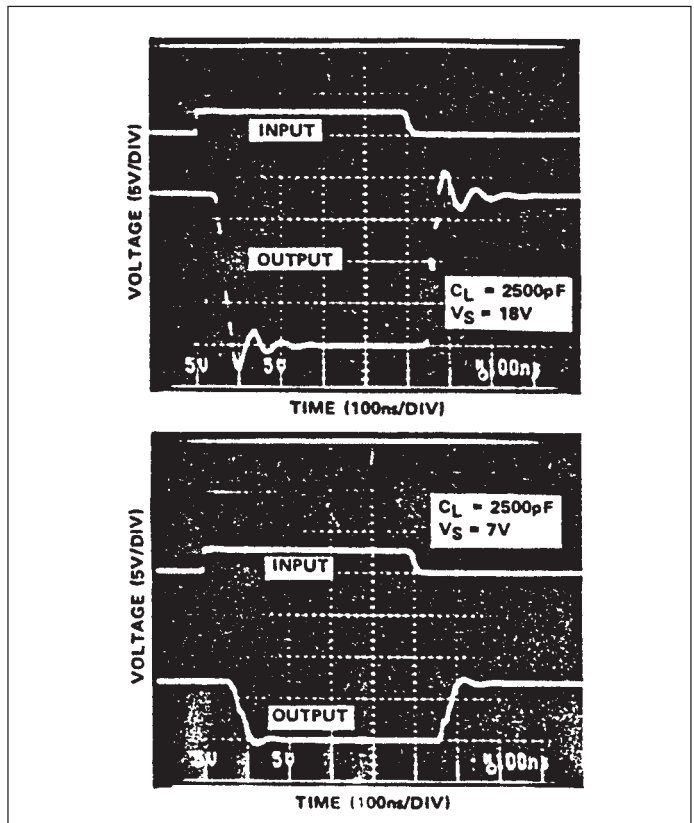


Figure 1. Inverting Driver Switching Time Test Circuit



4

## TC429

### SUPPLY BYPASSING

Charging and discharging large capacitive loads quickly requires large currents. For example, charging a 2500 pF load 18V in 25nsec requires a 1.8A current from the device's power supply.

To guarantee low supply impedance over a wide frequency range, a parallel capacitor combination is recommended for supply bypassing. Low-inductance ceramic disk capacitors with short lead lengths (<0.5 in.) should be used. A 1  $\mu$ F film capacitor in parallel with one or two 0.1  $\mu$ F ceramic disk capacitors normally provides adequate bypassing.

### GROUNDING

The high-current capability of the TC429 demands careful PC board layout for best performance. Since the TC429 is an inverting driver, any ground lead impedance will appear as negative feedback which can degrade switching speed. The feedback is especially noticeable with slow rise-time inputs, such as those produced by an open-collector output with resistor pull-up. The TC429 input structure includes about 300 mV of hysteresis to ensure clean transitions and freedom from oscillation, but attention to layout is still recommended.

Figure 2 shows the feedback effect in detail. As the TC429 input begins to go positive, the output goes negative and several amperes of current flow in the ground lead. As little as 0.05 $\Omega$  of PC trace resistance can produce hundreds of millivolts at the TC429 ground pins. If the driving logic is referenced to power ground, the effective logic input level is reduced and oscillations may result.

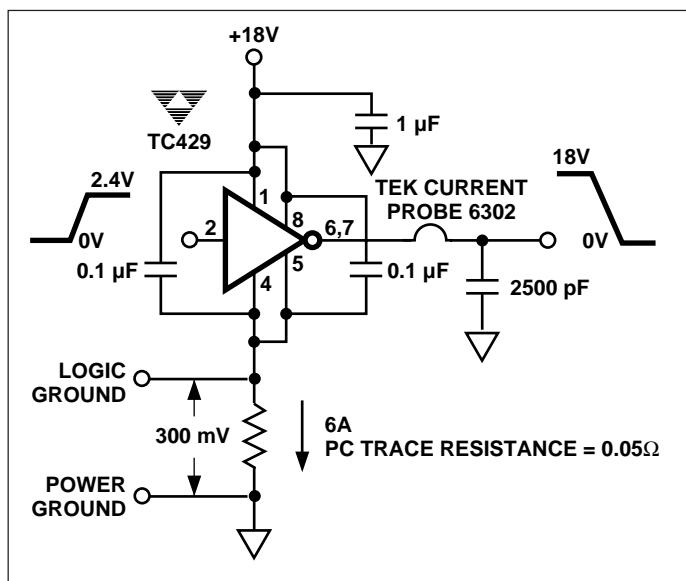


Figure 2. Switching Time Degradation Due to Negative Feedback

To ensure optimum device performance, separate ground traces should be provided for the logic and power connections. Connecting logic ground directly to the TC429 GND pins ensures full logic drive to the input and fast output switching. Both GND pins should be connected to power ground.

### INPUT STAGE

The input voltage level changes the no-load or quiescent supply current. The N-channel MOSFET input stage transistor drives a 3 mA current source load. With a logic "1" input, the maximum quiescent supply current is 5 mA. Logic "0" input level signals reduce quiescent current to 500  $\mu$ A maximum.

The TC429 input is designed to provide 300 mV of hysteresis, providing clean transitions and minimizing output stage current spiking when changing states. Input voltage levels are approximately 1.5V, making the device TTL compatible over the 7V to 18V operating supply range. Input current is less than 10 $\mu$ A over this range.

The TC429 can be directly driven by TL494, SG1526/1527, SG1524, SE5560 or similar switch-mode power supply integrated circuits. By off-loading the power-driving duties to the TC429, the power supply controller can operate at lower dissipation, improving performance and reliability.

### POWER DISSIPATION

CMOS circuits usually permit the user to ignore power dissipation. Logic families such as the 4000 and 74C have outputs that can only supply a few milliamperes of current, and even shorting outputs to ground will not force enough current to destroy the device. The TC429, however, can source or sink several amperes and drive large capacitive loads at high frequency. The package power dissipation limit can easily be exceeded. Therefore, some attention should be given to power dissipation when driving low impedance loads and/or operating at high frequency.

The supply current versus frequency and supply current versus capacitive load characteristic curves will aid in determining power dissipation calculations. Table I lists the maximum operating frequency for several power supply voltages when driving a 2500pF load. More accurate power dissipation figures can be obtained by summing the three power sources.

Input signal duty cycle, power supply voltage, and capacitive load influence package power dissipation. Given power dissipation and package thermal resistance, the maximum ambient operation temperature is easily calculated. The 8-pin CerDIP junction-to-ambient thermal resistance is 150 $^{\circ}$ C/W. At +25 $^{\circ}$ C, the package is rated at 800 mW maximum dissipation. Maximum allowable chip temperature is +150 $^{\circ}$ C.

# 6A SINGLE HIGH-SPEED, CMOS POWER MOSFET DRIVER

TC429

Three components make up total package power dissipation:

- (1) Capacitive load dissipation ( $P_C$ )
- (2) Quiescent power ( $P_Q$ )
- (3) Transition power ( $P_T$ )

The capacitive load-caused dissipation is a direct function of frequency, capacitive load, and supply voltage. The package power dissipation is:

$$P_C = f C V_S^2,$$

where:  $f$  = Switching frequency  
 $C$  = Capacitive load  
 $V_S$  = Supply voltage.

Quiescent power dissipation depends on input signal duty cycle. A logic low input results in a low-power dissipation mode with only 0.5 mA total current drain. Logic high signals raise the current to 5 mA maximum. The quiescent power dissipation is:

$$P_Q = V_S (D I_H + (1-D) I_L),$$

where:  $I_H$  = Quiescent current with input high (5 mA max)  
 $I_L$  = Quiescent current with input low (0.5 mA max)  
 $D$  = Duty cycle.

Transition power dissipation arises because the output stage N- and P-channel MOS transistors are ON simultaneously for a very short period when the output changes. The transition package power dissipation is approximately:

$$P_T = f V_S (3.3 \times 10^{-9} \text{ A} \cdot \text{Sec}).$$

An example shows the relative magnitude for each item.

Example 1:

- $C = 2500 \text{ pF}$
- $V_S = 15\text{V}$
- $D = 50\%$
- $f = 200 \text{ kHz}$
- $P_D = \text{Package power dissipation} = P_C + P_T + P_Q$   
 $= 113 \text{ mW} + 10 \text{ mW} + 41 \text{ mW}$   
 $= 164 \text{ mW}.$

$$\text{Maximum operating temperature} = T_J - \theta_{JA} (P_D) = 125^\circ\text{C},$$

where:  $T_J$  = Maximum allowable junction temperature (+150°C)

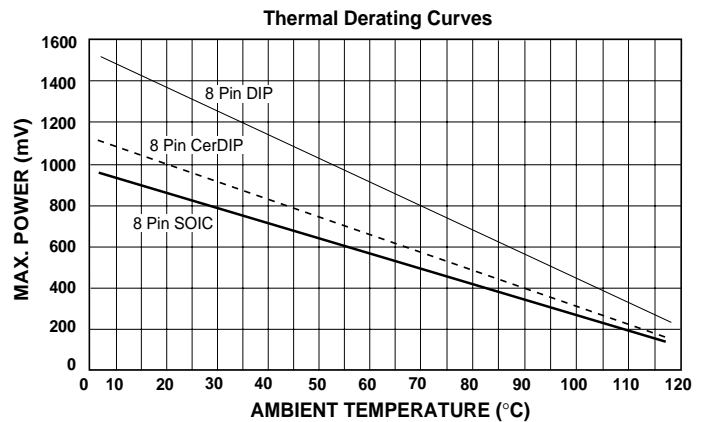
$\theta_{JA}$  = Junction-to-ambient thermal resistance (150°C/W, CerDIP).

**NOTE:** Ambient operating temperature should not exceed +85°C for IJA devices or +125°C for MJA devices.

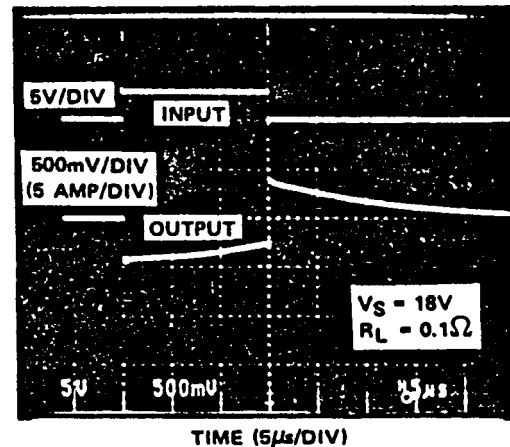
**Table 1. Maximum Operating Frequencies**

$V_S$	$f_{Max}$
18V	500 kHz
15V	700 kHz
10V	1.3 MHz
5V	>2 MHz

**CONDITIONS:** 1. CerDIP Package ( $\theta_{JA} = 150^\circ\text{C/W}$ )  
 2.  $T_A = +25^\circ\text{C}$   
 3.  $C_L = 2500 \text{ pF}$



**Peak Output Current Capability**



## POWER-ON OSCILLATION

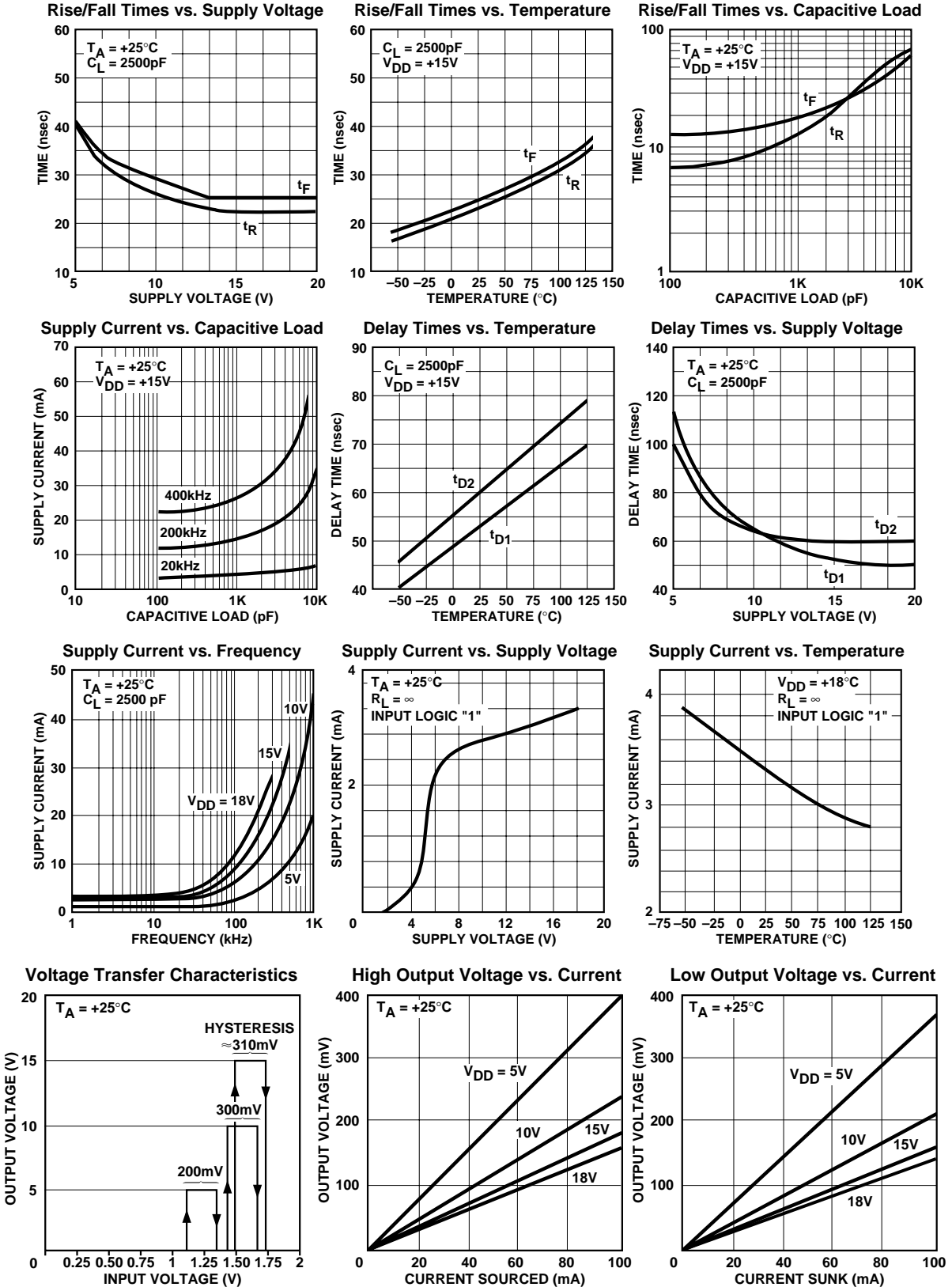
It is extremely important that all MOSFET DRIVER applications be evaluated for the possibility of having HIGH-POWER OSCILLATIONS occurring during the POWER-ON cycle.

POWER-ON OSCILLATIONS are due to trace size and layout as well as component placement. A 'quick fix' for most applications which exhibit POWER-ON OSCILLATION problems is to place approximately 10 kΩ in series with the input of the MOSFET driver.

4

## TC429

### TYPICAL CHARACTERISTICS



# 6A SINGLE HIGH-SPEED, CMOS POWER MOSFET DRIVER

TC429

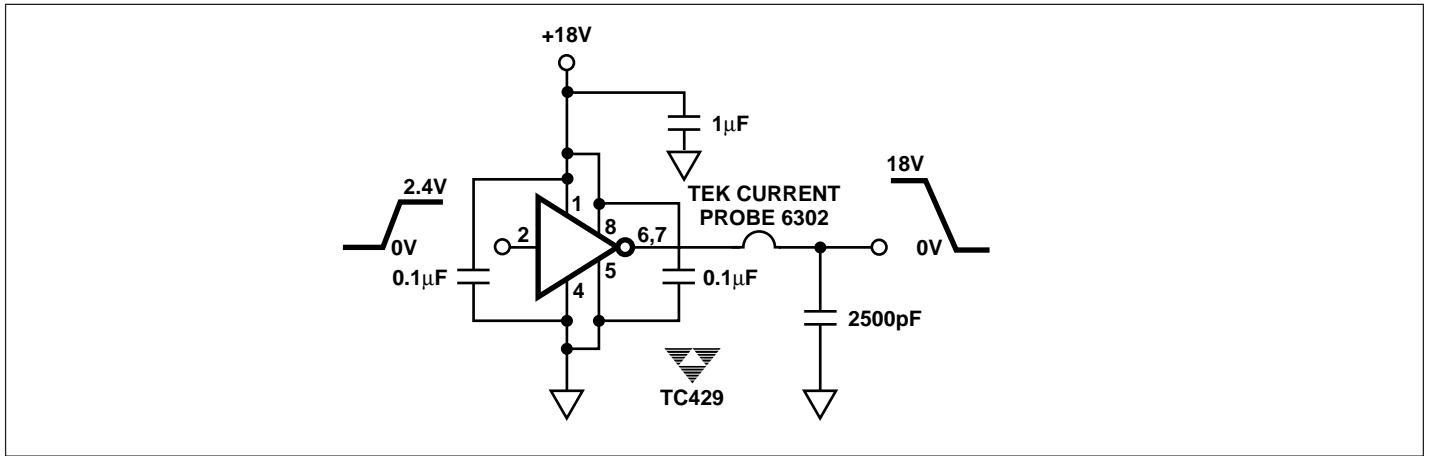


Figure 3. Peak Output Current Test Circuit

4

Copyright © Each Manufacturing Company.

All Datasheets cannot be modified without permission.

This datasheet has been download from :

[www.AllDataSheet.com](http://www.AllDataSheet.com)

100% Free DataSheet Search Site.

Free Download.

No Register.

Fast Search System.

[www.AllDataSheet.com](http://www.AllDataSheet.com)