

# DATA SHEET

## **TDA8712; TDF8712** 8-bit digital-to-analog converters

Product specification  
Supersedes data of April 1993  
File under Integrated Circuits, IC02

June 1994

**Philips Semiconductors**



**PHILIPS**

**8-bit digital-to-analog converters****TDA8712; TDF8712****FEATURES**

- 8-bit resolution
- Conversion rate up to 50 MHz
- TTL input levels
- Internal reference voltage generator
- Two complementary analog voltage outputs
- No deglitching circuit required
- Internal input register
- Low power dissipation
- Internal 75  $\Omega$  output load (connected to the analog supply)
- Very few external components required
- Temperature range
  - TDA8712: 0 to 70 °C
  - TDF8712: –40 to +85 °C.

**APPLICATIONS**

- High-speed digital-to-analog conversion
- Digital TV including:
  - field progressive scan
  - line progressive scan
- Subscriber TV decoders
- Satellite TV decoders
- Digital VCRs
- Industrial and automotive.

**GENERAL DESCRIPTION**

The TDA8712 and TDF8712 are 8-bit digital-to-analog converters (DACs) for video and other applications. They convert the digital input signal into an analog voltage output at a maximum conversion rate of 50 MHz. No external reference voltage is required and all digital inputs are TTL compatible.

**ORDERING INFORMATION**

TYPE NUMBER	PACKAGE			
	PINS	PIN POSITION	MATERIAL	CODE
TDA8712	16	DIP	plastic	SOT38-1
TDF8712	16	DIP	plastic	SOT38-1
TDA8712T	16	SO16L	plastic	SOT162-1
TDF8712T	16	SO16L	plastic	SOT162-1

## 8-bit digital-to-analog converters

## TDA8712; TDF8712

## QUICK REFERENCE DATA

SYMBOL	PARAMETER	CONDITIONS	MIN.	TYP.	MAX.	UNIT
$V_{CCA}$	analog supply voltage					
	TDA8712		4.5	5.0	5.5	V
	TDF8712		4.75	5.0	5.25	V
$V_{CCD}$	digital supply voltage					
	TDA8712		4.5	5.0	5.5	V
	TDF8712		4.75	5.0	5.25	V
$I_{CCA}$	analog supply current	note 1	20	26	32	mA
$I_{CCD}$	digital supply current	note 1	16	23	30	mA
$\Delta V_{OUT(p-p)}$	full-scale analog output voltage differences between $V_{OUT}$ and $\bar{V}_{OUT}$ (peak-to-peak value)	$Z_L = 10\text{ k}\Omega$ ; note 2	-1.45	-1.60	-1.75	V
		$Z_L = 75\ \Omega$ ; note 2	-0.72	0.80	-0.88	V
ILE	DC integral linear error		-	$\pm 0.3$	$\pm 0.5$	LSB
DLE	DC differential linearity error		-	$\pm 0.3$	$\pm 0.5$	LSB
$f_{clk(max)}$	maximum conversion rate		50	-	-	MHz
B	-3 dB analog bandwidth	$f_{clk} = 50\text{ MHz}$ ; note 3	-	150	-	MHz
$P_{tot}$	total power dissipation					
	TDA8712		160	250	340	mW
	TDF8712		170	250	325	mW

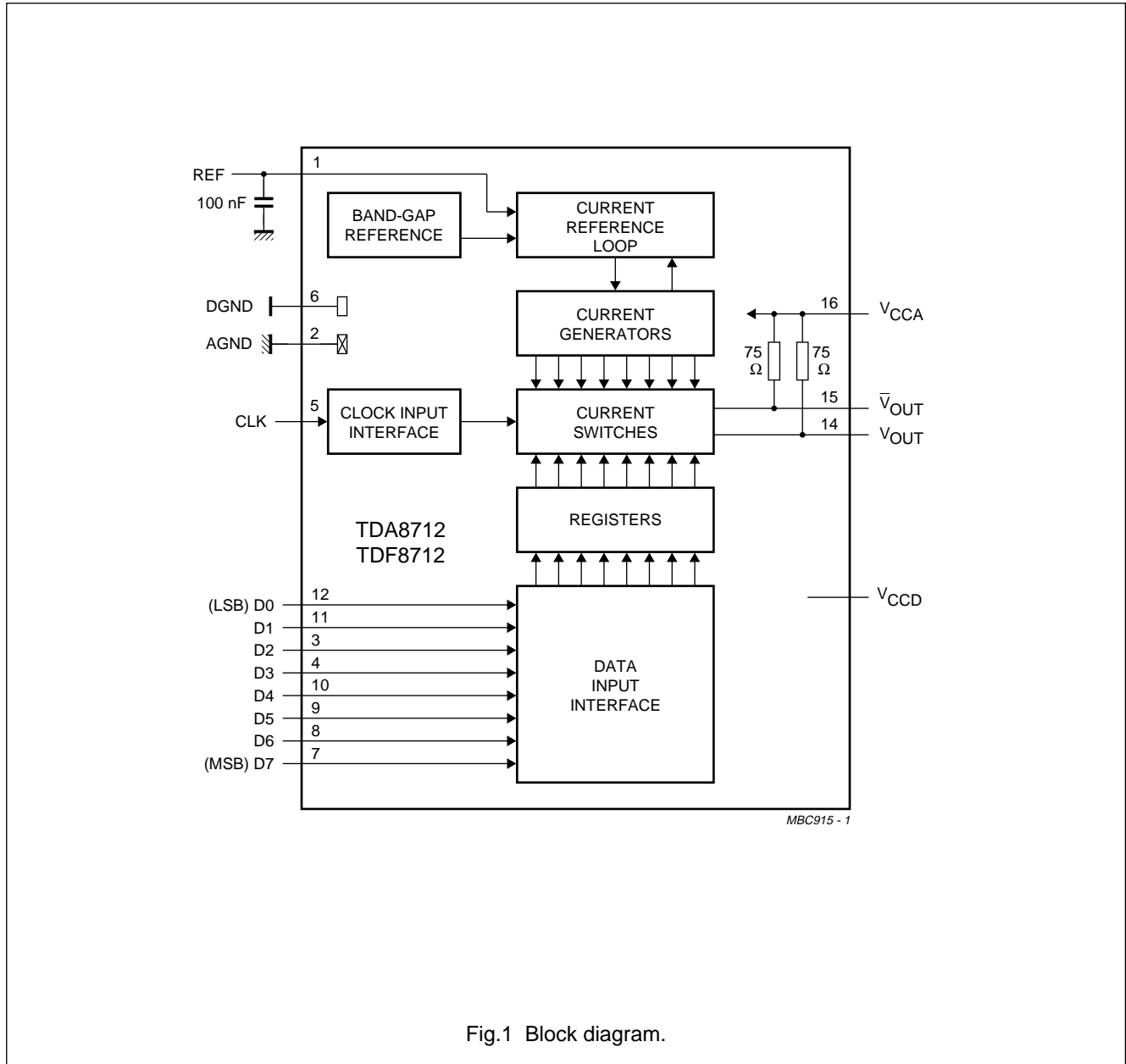
## Notes

1. D0 to D7 are connected to  $V_{CCD}$  and CLK is connected to DGND.
2. The analog output voltages ( $V_{OUT}$  and  $\bar{V}_{OUT}$ ) are negative with respect to  $V_{CCA}$  (see Table 1). The output resistance between  $V_{CCA}$  and each of these outputs is typically  $75\ \Omega$ .
3. The -3 dB analog output bandwidth is determined by real time analysis of the output transient at a maximum input code transition (code 0 to 255).

8-bit digital-to-analog converters

TDA8712; TDF8712

BLOCK DIAGRAM



8-bit digital-to-analog converters

TDA8712; TDF8712

PINNING

SYMBOL	PIN	DESCRIPTION
REF	1	voltage reference (decoupling)
AGND	2	analog ground
D2	3	data input; bit 2
D3	4	data input; bit 3
CLK	5	clock input
DGND	6	digital ground
D7	7	data input; bit 7 (MSB)
D6	8	data input; bit 6
D5	9	data input; bit 5
D4	10	data input; bit 4
D1	11	data input; bit 1
D0	12	data input; bit 0 (LSB)
V <sub>CCD</sub>	13	digital supply voltage (+5 V)
V <sub>OUT</sub>	14	analog output voltage
$\bar{V}_{OUT}$	15	complimentary analog output voltage
V <sub>CCA</sub>	16	analog supply voltage (+5 V)

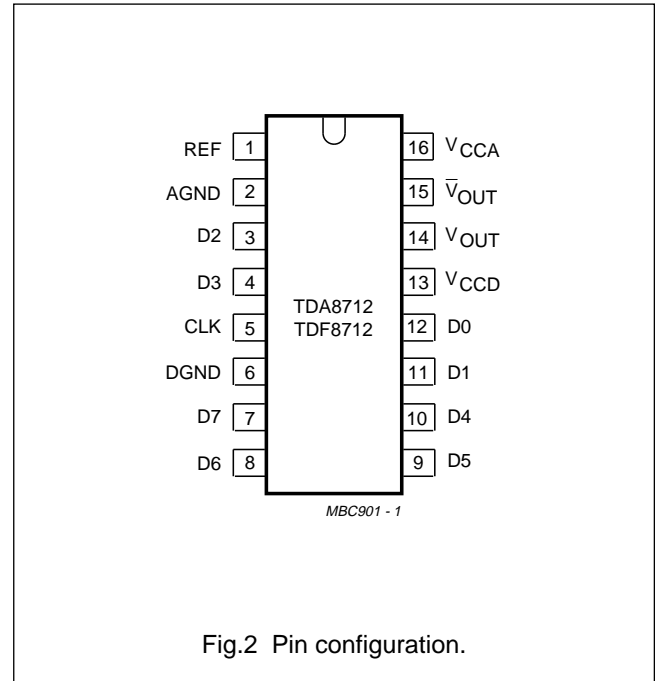


Fig.2 Pin configuration.

## 8-bit digital-to-analog converters

## TDA8712; TDF8712

**LIMITING VALUES**

In accordance with the Absolute Maximum Rating System (IEC134).

SYMBOL	PARAMETER	MIN.	MAX.	UNIT
$V_{CCA}$	analog supply voltage	-0.3	+7.0	V
$V_{CCD}$	digital supply voltage	-0.3	+7.0	V
$\Delta V_{CC}$	supply voltage differences between $V_{CCA}$ and $V_{CCD}$	-0.5	+0.5	V
$\Delta V_{GND}$	ground voltage differences between $V_{AGND}$ and $V_{DGND}$	-0.1	+0.1	V
$V_I$	input voltage (pins 3 to 5 and 7 to 12)	-0.3	$V_{CCD}$	V
$I_{tot}$	total output current ( $I_{OUT} + \bar{I}_{OUT}$ ; pins 14 and 15)	-5	+26	mA
$T_{stg}$	storage temperature	-55	+150	°C
$T_{amb}$	operating ambient temperature			
	TDA8712	0	+70	°C
	TDF8712	-40	+85	°C
$T_j$	junction temperature	-	+150	°C

**HANDLING**

Inputs and outputs are protected against electrostatic discharges in normal handling. However, to be totally safe, it is desirable to take normal precautions appropriate to handling integrated circuits.

**THERMAL CHARACTERISTICS**

SYMBOL	PARAMETER	VALUE	UNIT
$R_{th\ j-a}$	thermal resistance from junction to ambient in free air		
	SOT38-1	70	K/W
	SOT162-1	90	K/W

## 8-bit digital-to-analog converters

## TDA8712; TDF8712

**CHARACTERISTICS**

$V_{CCA} = V_{16}$  to  $V_2 = 4.5$  to  $5.5$  V (TDA8712) =  $4.75$  to  $5.25$  V (TDF8712);  $V_{CCD} = V_{13}$  to  $V_6 = 4.5$  to  $5.5$  V (TDA8712) =  $4.75$  to  $5.25$  V (TDF8712);  $V_{CCA}$  to  $V_{CCD} = -0.5$  to  $+0.5$  V (TDA8712) =  $-0.25$  to  $+0.25$  V (TDF8712); REF decoupled to AGND via a 100 nF capacitor;  $T_{amb} = -40$  to  $+85$  °C; AGND and DGND shorted together; typical readings taken at  $V_{CCA} = V_{CCD} = 5$  V and  $T_{amb} = 25$  °C; unless otherwise specified.

SYMBOL	PARAMETER	CONDITIONS	MIN.	TYP.	MAX.	UNIT
<b>Supply</b>						
$V_{CCA}$	analog supply voltage					
	TDA8712		4.5	5.0	5.5	V
	TDF8712		4.75	5.0	5.25	V
$V_{CCD}$	digital supply voltage					
	TDA8712		4.5	5.0	5.5	V
	TDF8712		4.75	5.0	5.25	V
$I_{CCA}$	analog supply current	note 1	20	26	32	mA
$I_{CCD}$	digital supply current	note 1	16	23	30	mA
$\Delta V_{GND}$	ground voltage differences between $V_{AGND}$ and $V_{DGND}$		-0.1	-	+0.1	V
<b>Inputs</b>						
DIGITAL INPUTS (D7 TO D0) AND CLOCK INPUT CLK						
$V_{IL}$	LOW level input voltage		0	-	0.8	V
$V_{IH}$	HIGH level input voltage		2.0	-	$V_{CCD}$	V
$I_{IL}$	LOW level input current	$V_I = 0.4$ V	-	-0.3	-0.4	mA
$I_{IH}$	HIGH level input current	$V_I = 2.7$ V	-	0.01	20	$\mu$ A
$f_{clk(max)}$	maximum clock frequency		50	-	-	MHz
<b>Outputs (referenced to <math>V_{CCA}</math>)</b>						
$\Delta V_{OUT(p-p)}$	full-scale analog output voltage differences between $V_{OUT}$ and $\bar{V}_{OUT}$ (peak-to-peak value)	$Z_L = 10$ k $\Omega$ ; note 2	-1.45	-1.60	-1.75	V
		$Z_L = 75$ $\Omega$ ; note 2	-0.72	0.80	-0.88	V
$V_{os}$	analog offset output voltage	code = 0	-	-3	-25	mV
$TC_{VOUT}$	full-scale analog output voltage temperature coefficient		-	-	200	$\mu$ V/K
$TC_{Vos}$	analog offset output voltage temperature coefficient		-	-	20	$\mu$ V/K
B	-3 dB analog bandwidth	$f_{clk} = 50$ MHz; note 3	-	150	-	MHz
$G_{diff}$	differential gain		-	0.6	-	%
$\Phi_{diff}$	differential phase		-	1	-	deg
$Z_o$	output impedance		-	75	-	$\Omega$
<b>Transfer function (<math>f_{clk} = 50</math> MHz)</b>						
ILE	DC integral linear error		-	$\pm 0.3$	$\pm 0.5$	LSB
DLE	DC differential linearity error		-	$\pm 0.3$	$\pm 0.5$	LSB

## 8-bit digital-to-analog converters

## TDA8712; TDF8712

SYMBOL	PARAMETER	CONDITIONS	MIN.	TYP.	MAX.	UNIT
<b>Switching characteristics (<math>f_{\text{clk}} = 50 \text{ MHz}</math>; notes 4 and 5; see Figs 3, 4 and 5)</b>						
$t_{\text{SU;DAT}}$	data set-up time		-0.3	–	–	ns
$t_{\text{HD;DAT}}$	data hold time		2.0	–	–	ns
$t_{\text{PD}}$	propagation delay time		–	–	1.0	ns
$t_{\text{S1}}$	settling time 1	10% to 90% full-scale change to $\pm 1 \text{ LSB}$	–	1.1	1.5	ns
$t_{\text{S2}}$	settling time 2	10% to 90% full-scale change to $\pm 1 \text{ LSB}$	–	6.5	8.0	ns
$t_{\text{d}}$	input to 50% output delay time		–	3.0	5.0	ns
<b>Output transients (glitches; <math>f_{\text{clk}} = 50 \text{ MHz}</math>; note 6; see Fig.6)</b>						
$E_{\text{g}}$	glitch energy from code	transition 127 to 128	–	–	30	LSB·ns

**Notes**

- D0 to D7 are connected to  $V_{\text{CCD}}$  and CLK is connected to DGND.
- The analog output voltages ( $V_{\text{OUT}}$  and  $\bar{V}_{\text{OUT}}$ ) are negative with respect to  $V_{\text{CCA}}$  (see Table 1). The output resistance between  $V_{\text{CCA}}$  and each of these outputs is typically  $75 \Omega$ .
- The  $-3 \text{ dB}$  analog output bandwidth is determined by real time analysis of the output transient at a maximum input code transition (code 0 to 255).
- The worst case characteristics are obtained at the transition from input code 0 to 255 and if an external load impedance greater than  $75 \Omega$  is connected between  $V_{\text{OUT}}$  or  $\bar{V}_{\text{OUT}}$  and  $V_{\text{CCA}}$ . The specified values have been measured with an active probe between  $V_{\text{OUT}}$  and AGND. No further load impedance between  $V_{\text{OUT}}$  and AGND has been applied. All input data is latched at the rising edge of the clock. The output voltage remains stable (independent of input data variations) during the HIGH level of the clock (CLK = HIGH). During a LOW-to-HIGH transition of the clock (CLK = LOW), the DAC operates in the transparent mode (input data will be directly transferred to their corresponding analog output voltages; see Fig.5).
- The data set-up time ( $t_{\text{SU;DAT}}$ ) is the minimum period preceding the rising edge of the clock that the input data must be stable in order to be correctly registered. A negative set-up time indicates that the data may be initiated after the rising edge of the clock and still be recognized. The data hold time ( $t_{\text{HD;DAT}}$ ) is the minimum period following the rising edge of the clock that the input data must be stable in order to be correctly registered. A negative hold time indicates that the data may be released prior to the rising edge of the clock and still be recognized.
- The definition of glitch energy and the measurement set-up are shown in Fig.6. The glitch energy is measured at the input transition between code 127 and 128 and on the falling edge of the clock.

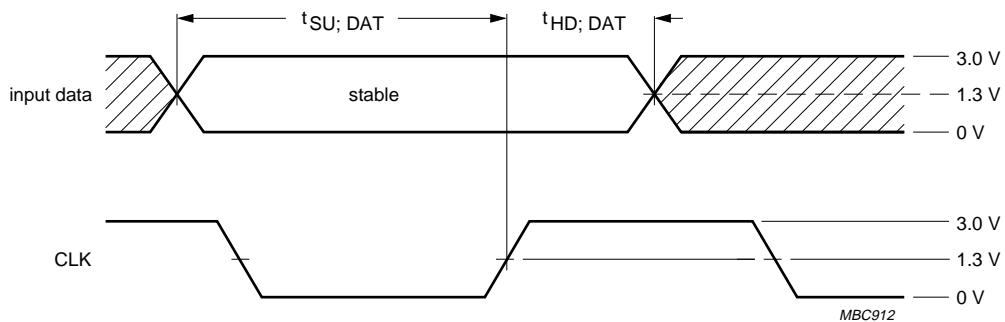


8-bit digital-to-analog converters

TDA8712; TDF8712

**Table 1** Input coding and output voltages (typical values; referenced to  $V_{CCA}$ , regardless of the offset voltage).

CODE	INPUT DATA (D7 to D0)	DAC OUTPUT VOLTAGES (V)			
		$Z_L = 10\text{ k}\Omega$		$Z_L = 75\ \Omega$	
		$V_{OUT}$	$\bar{V}_{OUT}$	$V_{OUT}$	$\bar{V}_{OUT}$
0	000 00 00	0	-1.6	0	-0.8
1	000 000 01	-0.006	-1.594	-0.003	-0.797
.	.	.	.	.	.
128	100 000 00	-0.8	-0.8	-0.4	-0.4
.	.	.	.	.	.
254	111 111 10	-1.594	-0.006	-0.797	-0.003
255	111 111 11	-1.6	0	-0.8	0



MBC912

The shaded areas indicate when the input data may change and be correctly registered. Data input update must be completed within 0.3 ns after the first rising edge of the clock ( $t_{SU; DAT}$  is negative; -0.3 ns). Data must be held at least 2 ns after the rising edge ( $t_{HD; DAT} = +2$  ns).

Fig.3 Data set-up and hold times.

8-bit digital-to-analog converters

TDA8712; TDF8712

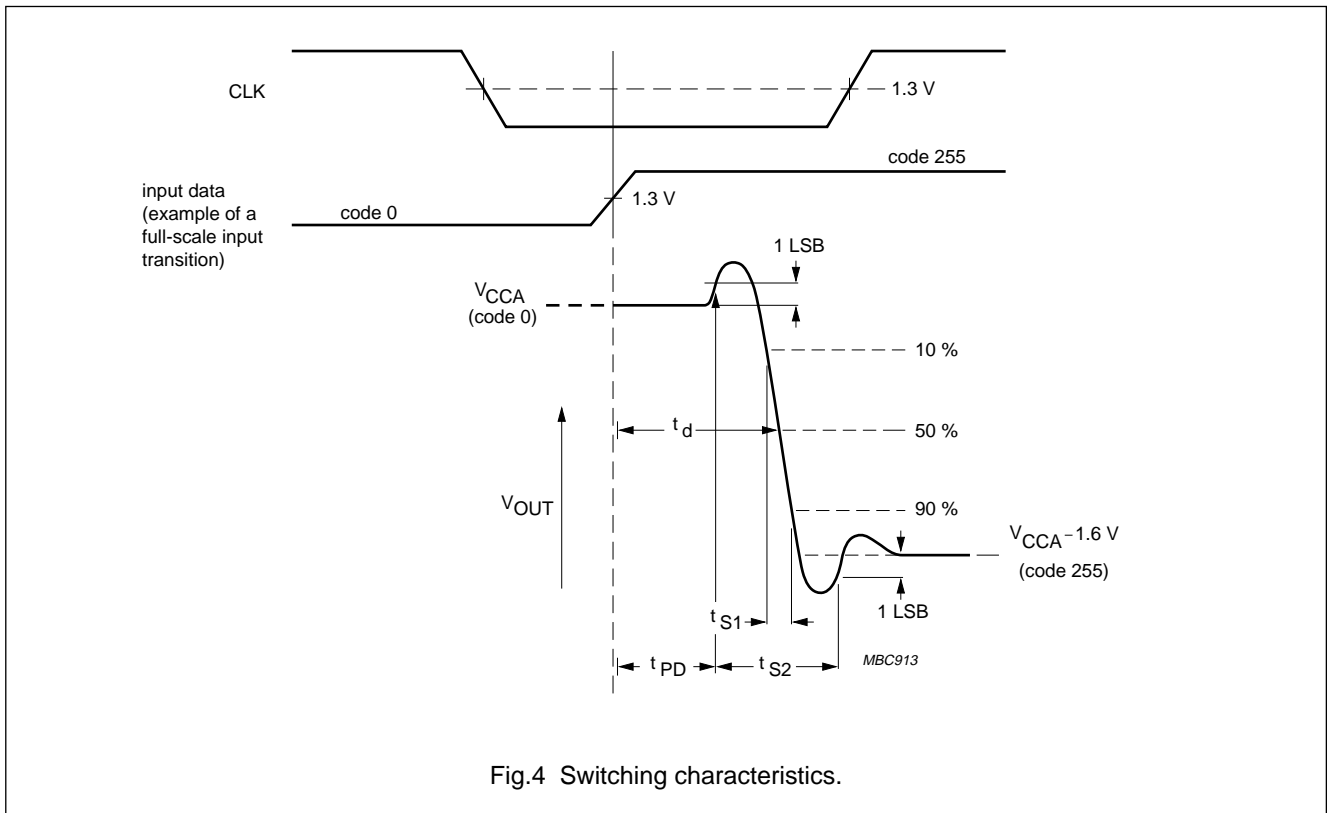


Fig.4 Switching characteristics.

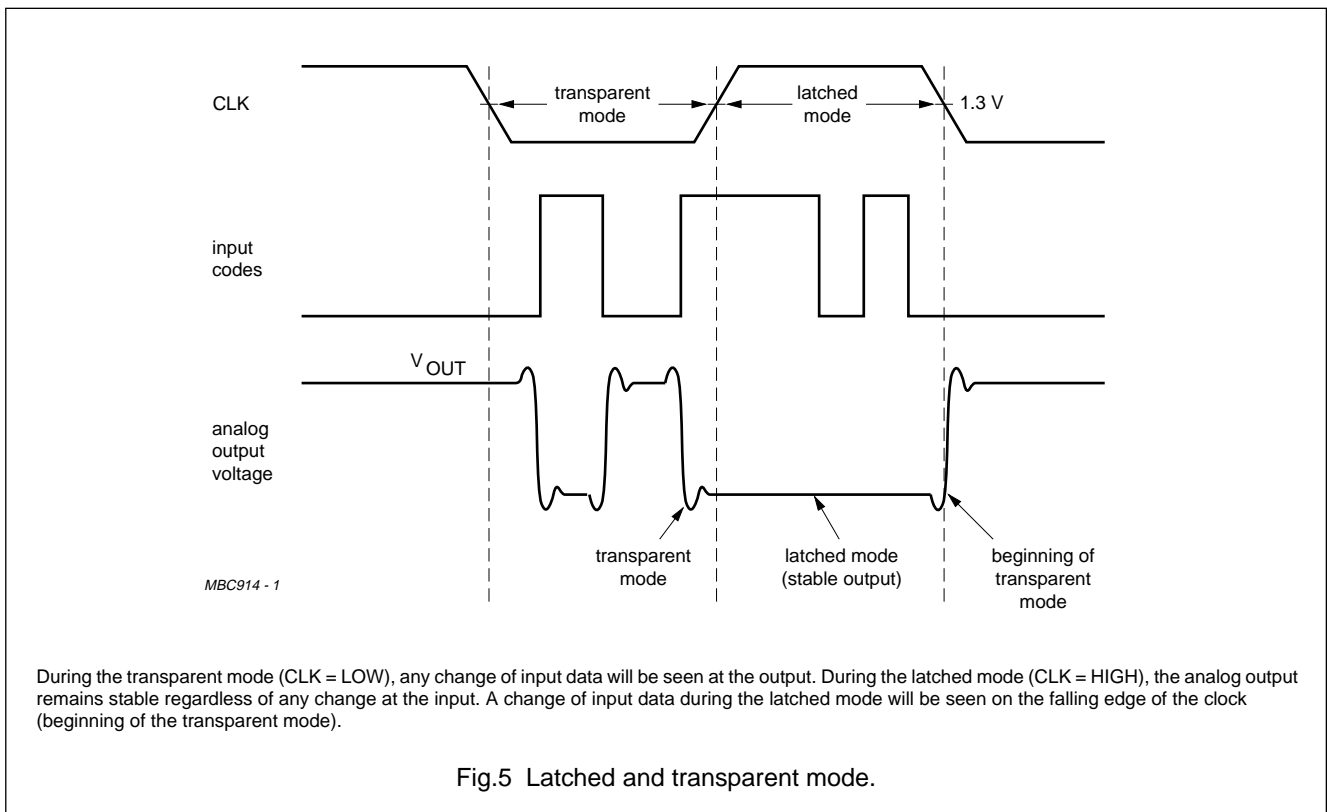
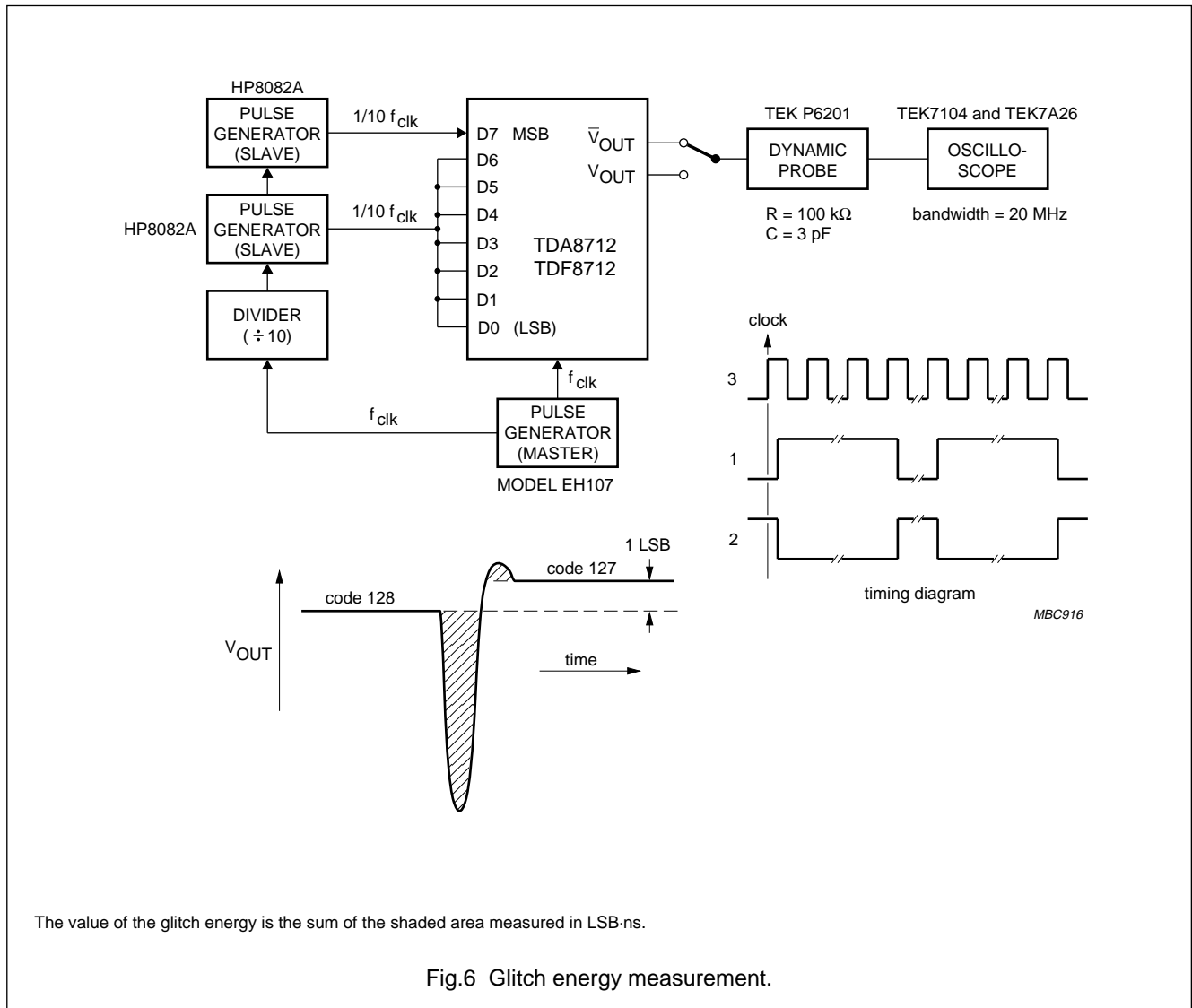


Fig.5 Latched and transparent mode.

8-bit digital-to-analog converters

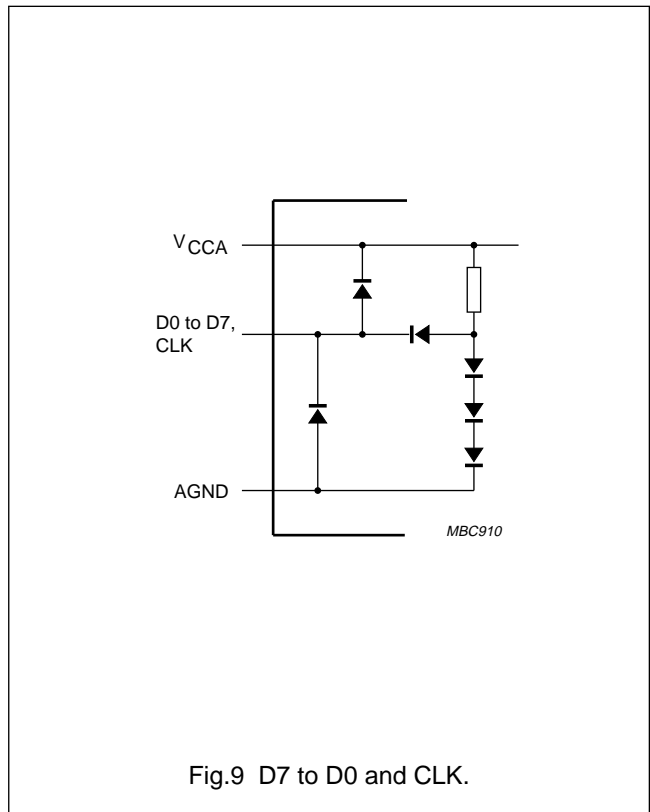
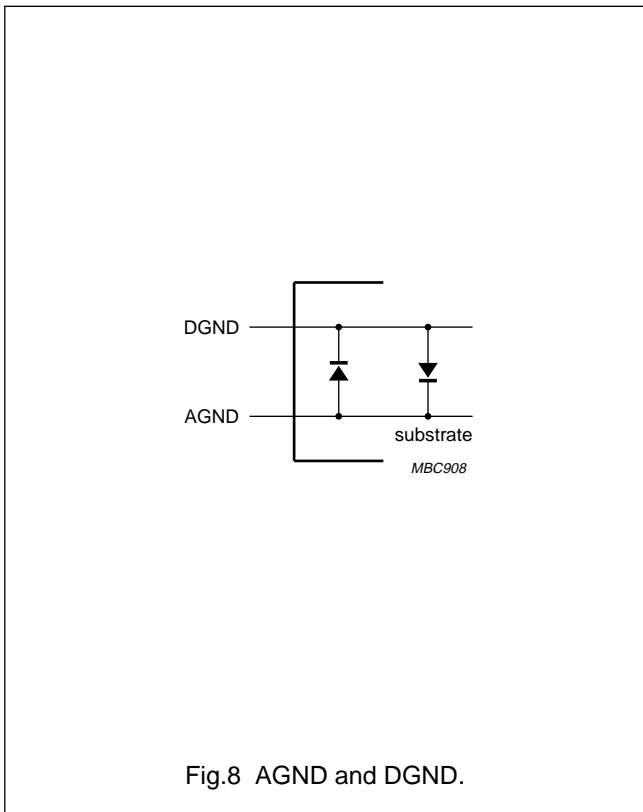
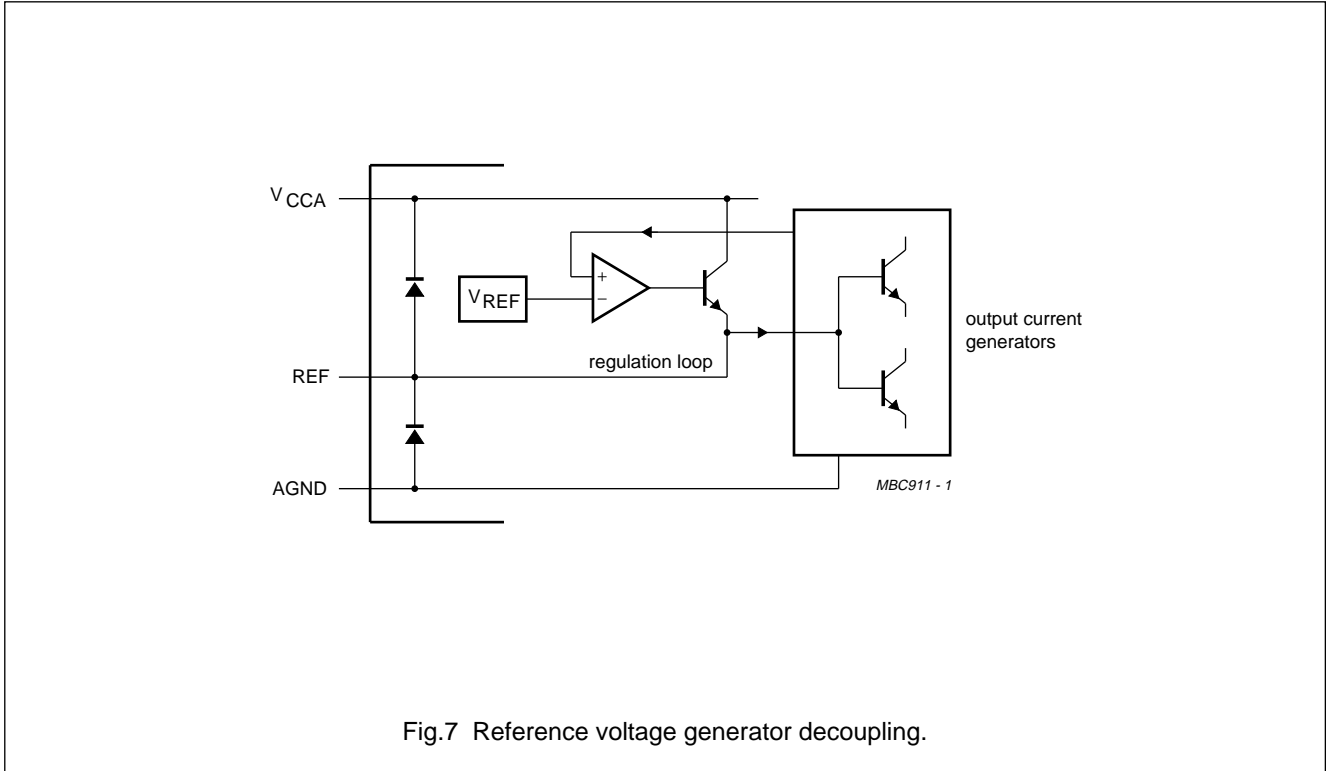
TDA8712; TDF8712



8-bit digital-to-analog converters

TDA8712; TDF8712

INTERNAL PIN CONFIGURATIONS



8-bit digital-to-analog converters

TDA8712; TDF8712

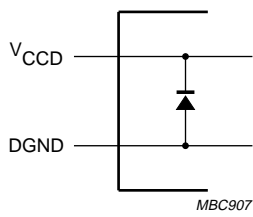


Fig.10 Digital supply.

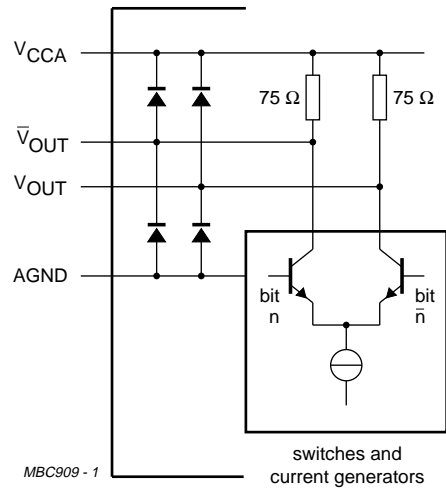


Fig.11 Analog outputs.

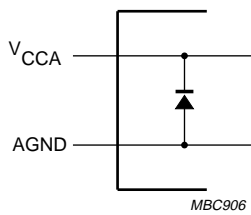


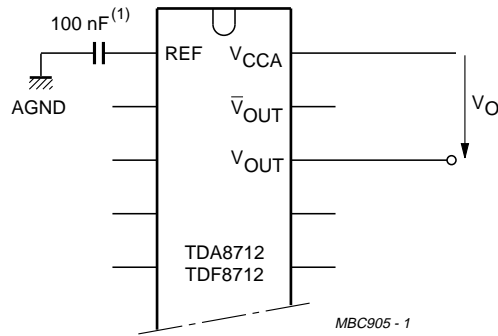
Fig.12 Analog supply.

8-bit digital-to-analog converters

TDA8712; TDF8712

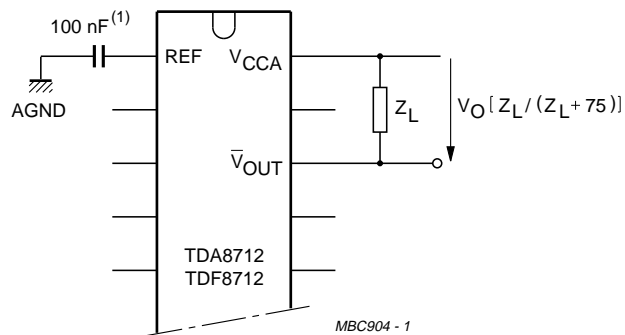
APPLICATION INFORMATION

Additional application information can be supplied on request (please quote "FTV/8901").



(1) This is a recommended value for decoupling pin 1.  
 $V_O = -\bar{V}_{OUT}$ ; see Table 1;  $Z_L = 10\text{ k}\Omega$ .

Fig.13 Analog output voltage without external load.

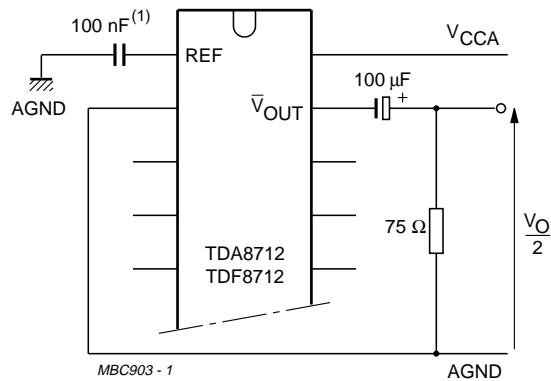


(1) This is a recommended value for decoupling pin 1.  
 External load  $Z_L = 75\ \Omega$  to  $\infty$ .

Fig.14 Analog output voltage with external load.

8-bit digital-to-analog converters

TDA8712; TDF8712



(1) This is a recommended value for decoupling pin 1.

Fig.15 Analog output voltage with AGND as reference.

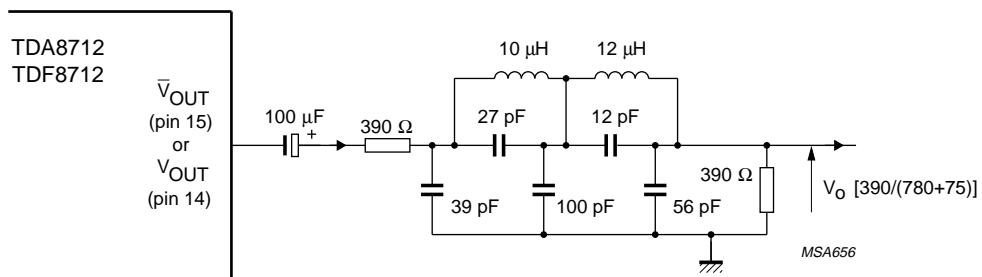
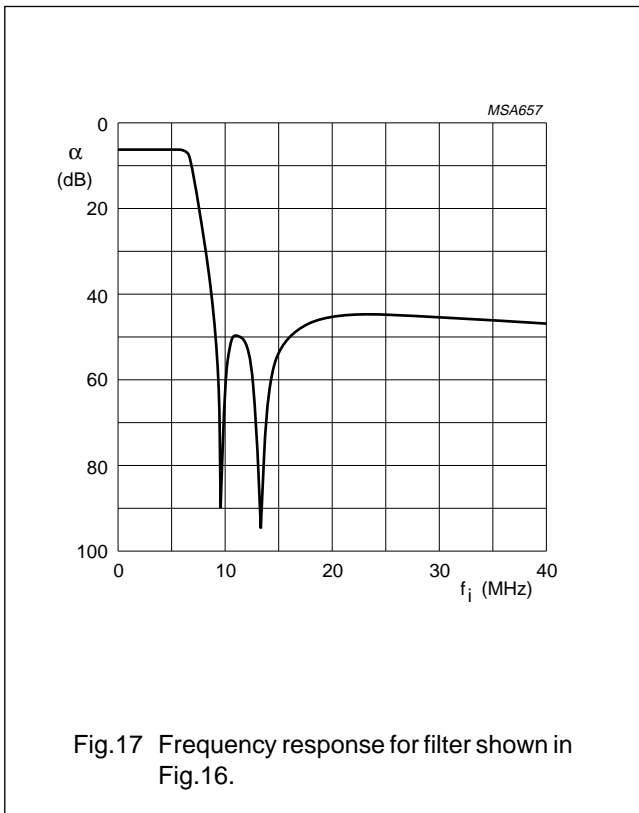


Fig.16 Example of anti-aliasing filter (analog output referenced to AGND).

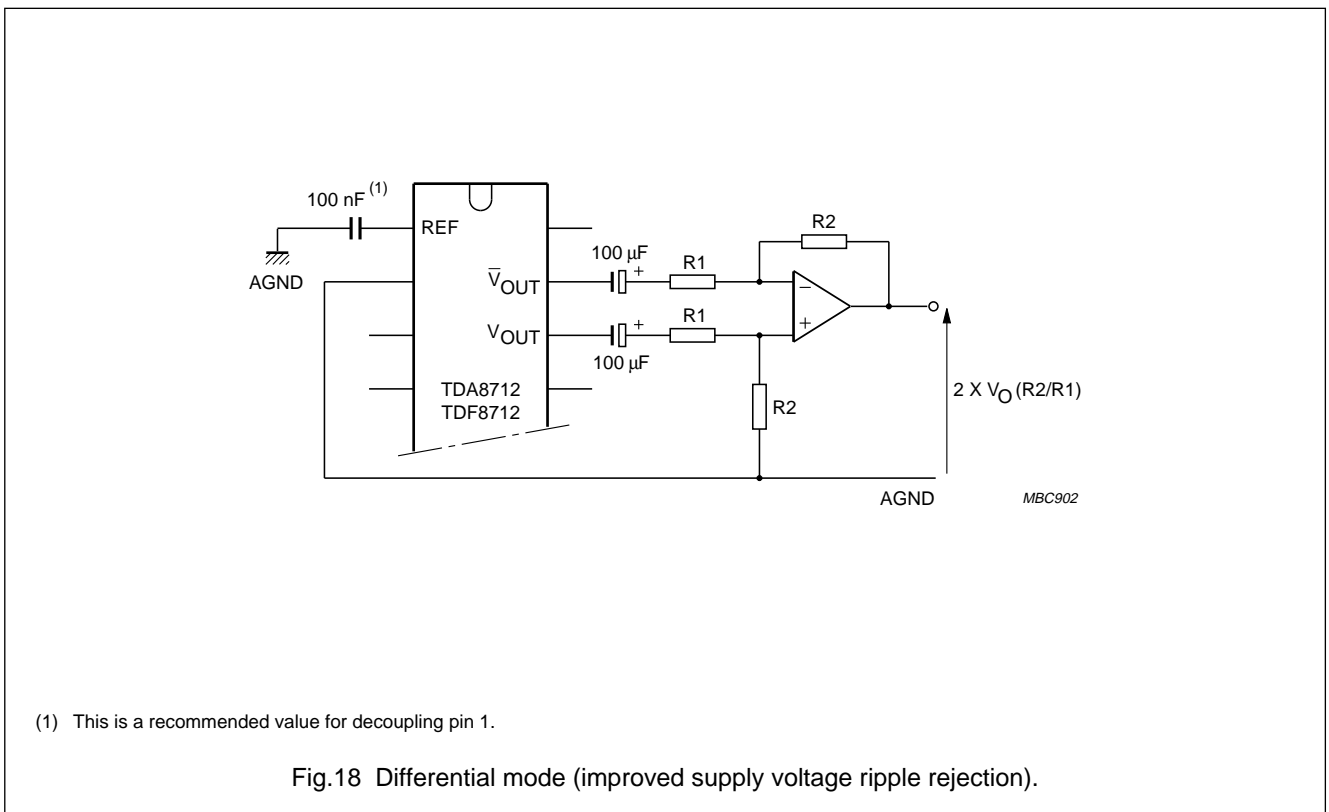
8-bit digital-to-analog converters

TDA8712; TDF8712



Characteristics of Fig. 17

- Order 5; adapted CHEBYSHEV
- Ripple  $\rho \leq 0.1$  dB
- $f = 6.7$  MHz at  $-3$  dB
- $f_{\text{notch}} = 9.7$  MHz and 13.3 MHz.

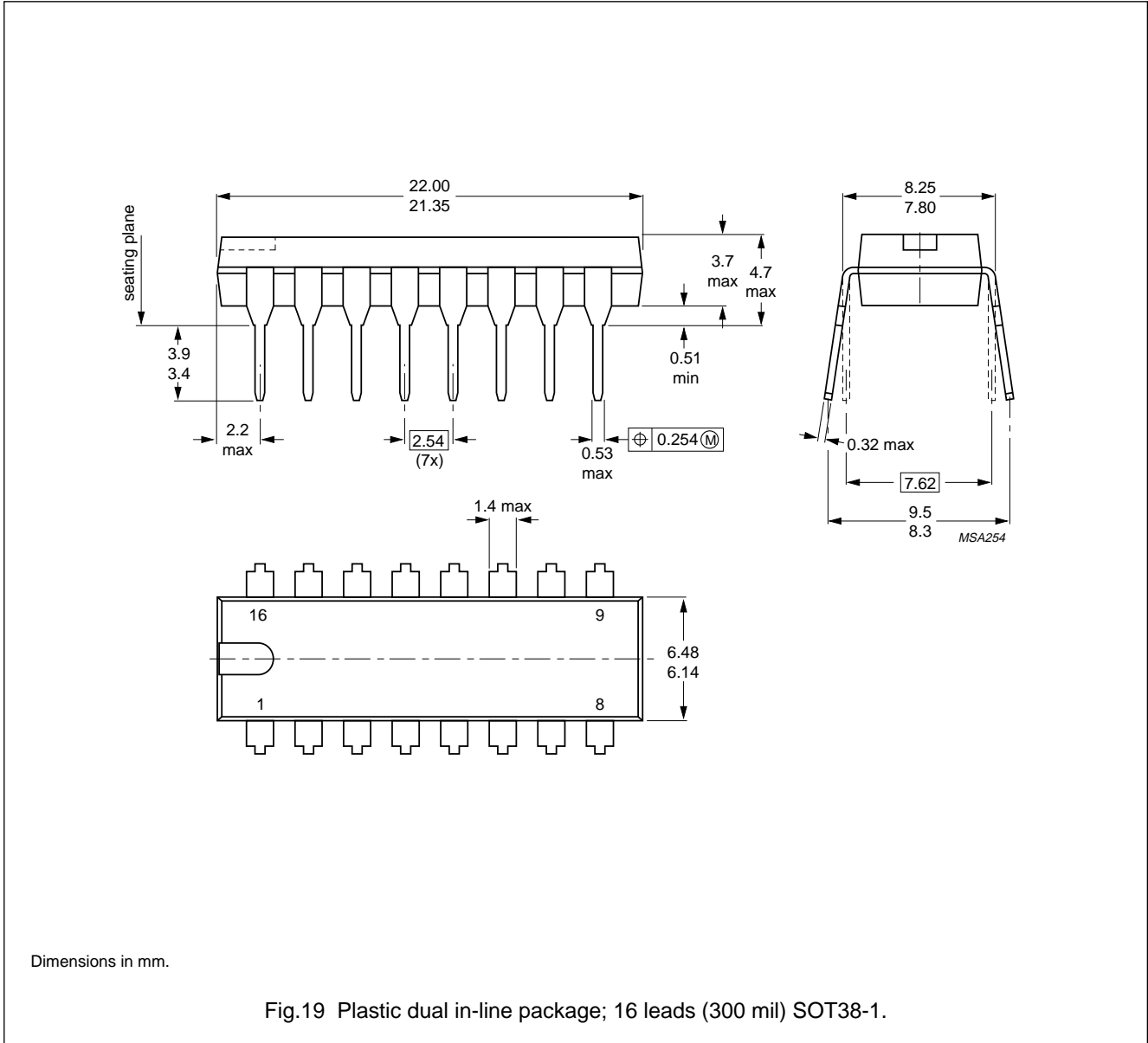




8-bit digital-to-analog converters

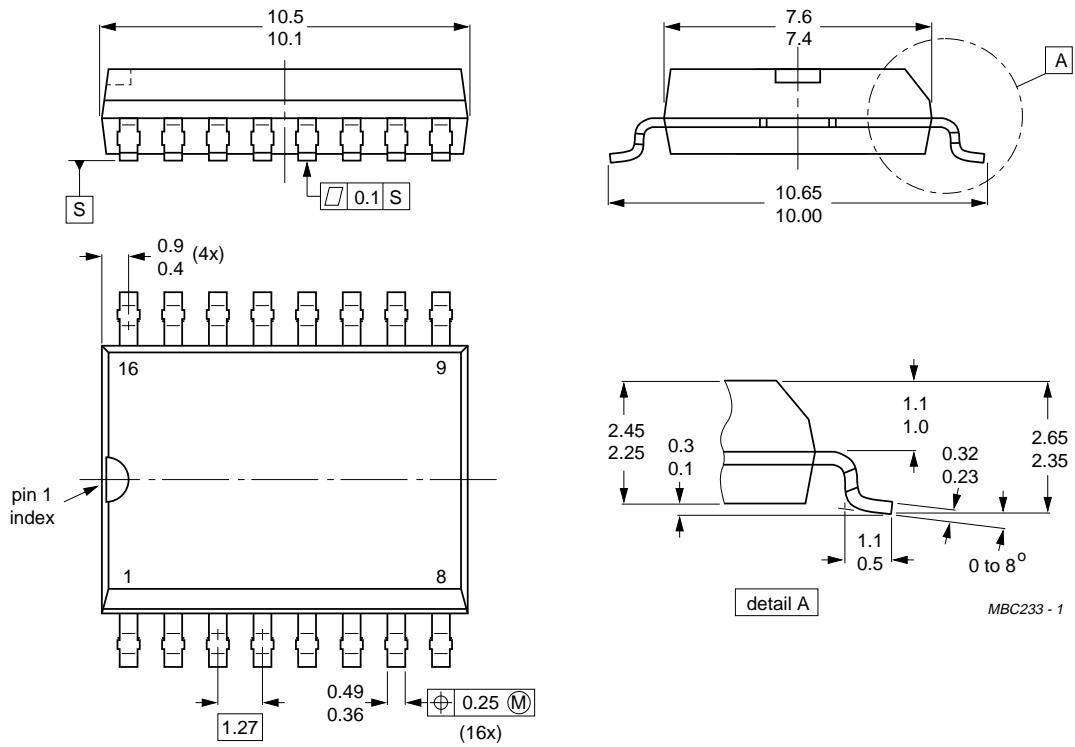
TDA8712; TDF8712

PACKAGE OUTLINES



8-bit digital-to-analog converters

TDA8712; TDF8712



Dimensions in mm.

Fig.20 Plastic small outline package; 16 leads; large body (SOT162-1).

## 8-bit digital-to-analog converters

## TDA8712; TDF8712

### SOLDERING

#### Plastic dual in-line packages

##### BY DIP OR WAVE

The maximum permissible temperature of the solder is 260 °C; this temperature must not be in contact with the joint for more than 5 s. The total contact time of successive solder waves must not exceed 5 s.

The device may be mounted up to the seating plane, but the temperature of the plastic body must not exceed the specified storage maximum. If the printed-circuit board has been pre-heated, forced cooling may be necessary immediately after soldering to keep the temperature within the permissible limit.

##### REPAIRING SOLDERED JOINTS

Apply a low voltage soldering iron below the seating plane (or not more than 2 mm above it). If its temperature is below 300 °C, it must not be in contact for more than 10 s; if between 300 and 400 °C, for not more than 5 s.

#### Plastic small-outline packages

##### BY WAVE

During placement and before soldering, the component must be fixed with a droplet of adhesive. After curing the adhesive, the component can be soldered. The adhesive can be applied by screen printing, pin transfer or syringe dispensing.

Maximum permissible solder temperature is 260 °C, and maximum duration of package immersion in solder bath is 10 s, if allowed to cool to less than 150 °C within 6 s. Typical dwell time is 4 s at 250 °C.

A modified wave soldering technique is recommended using two solder waves (dual-wave), in which a turbulent wave with high upward pressure is followed by a smooth laminar wave. Using a mildly-activated flux eliminates the need for removal of corrosive residues in most applications.

##### BY SOLDER PASTE REFLOW

Reflow soldering requires the solder paste (a suspension of fine solder particles, flux and binding agent) to be applied to the substrate by screen printing, stencilling or pressure-syringe dispensing before device placement.

Several techniques exist for reflowing; for example, thermal conduction by heated belt, infrared, and vapour-phase reflow. Dwell times vary between 50 and 300 s according to method. Typical reflow temperatures range from 215 to 250 °C.

Preheating is necessary to dry the paste and evaporate the binding agent. Preheating duration: 45 min at 45 °C.

##### REPAIRING SOLDERED JOINTS (BY HAND-HELD SOLDERING IRON OR PULSE-HEATED SOLDER TOOL)

Fix the component by first soldering two, diagonally opposite, end pins. Apply the heating tool to the flat part of the pin only. Contact time must be limited to 10 s at up to 300 °C. When using proper tools, all other pins can be soldered in one operation within 2 to 5 s at between 270 and 320 °C. (Pulse-heated soldering is not recommended for SO packages.)

For pulse-heated solder tool (resistance) soldering of VSO packages, solder is applied to the substrate by dipping or by an extra thick tin/lead plating before package placement.

## 8-bit digital-to-analog converters

TDA8712; TDF8712

**DEFINITIONS**

<b>Data sheet status</b>	
Objective specification	This data sheet contains target or goal specifications for product development.
Preliminary specification	This data sheet contains preliminary data; supplementary data may be published later.
Product specification	This data sheet contains final product specifications.
<b>Limiting values</b>	
Limiting values given are in accordance with the Absolute Maximum Rating System (IEC 134). Stress above one or more of the limiting values may cause permanent damage to the device. These are stress ratings only and operation of the device at these or at any other conditions above those given in the Characteristics sections of the specification is not implied. Exposure to limiting values for extended periods may affect device reliability.	
<b>Application information</b>	
Where application information is given, it is advisory and does not form part of the specification.	

**LIFE SUPPORT APPLICATIONS**

These products are not designed for use in life support appliances, devices, or systems where malfunction of these products can reasonably be expected to result in personal injury. Philips customers using or selling these products for use in such applications do so at their own risk and agree to fully indemnify Philips for any damages resulting from such improper use or sale.

8-bit digital-to-analog converters

TDA8712; TDF8712

---

**NOTES**

8-bit digital-to-analog converters

TDA8712; TDF8712

---

NOTES

8-bit digital-to-analog converters

TDA8712; TDF8712

---

**NOTES**

## Philips Semiconductors – a worldwide company

**Argentina:** IEROD, Av. Juramento 1992 - 14.b, (1428)  
BUENOS AIRES, Tel. (541)786 7633, Fax. (541)786 9367

**Australia:** 34 Waterloo Road, NORTH RYDE, NSW 2113,  
Tel. (02)805 4455, Fax. (02)805 4466

**Austria:** Triester Str. 64, A-1101 WIEN, P.O. Box 213,  
Tel. (01)60 101-1236, Fax. (01)60 101-1211

**Belgium:** Postbus 90050, 5600 PB EINDHOVEN, The Netherlands,  
Tel. (31)40 783 749, Fax. (31)40 788 399

**Brazil:** Rua do Rocio 220 - 5<sup>th</sup> floor, Suite 51,  
CEP: 04552-903-SÃO PAULO-SP, Brazil.  
P.O. Box 7383 (01064-970).

Tel. (011)821-2327, Fax. (011)829-1849

**Canada:** INTEGRATED CIRCUITS:

Tel. (800)234-7381, Fax. (708)296-8556  
DISCRETE SEMICONDUCTORS: 601 Milner Ave,  
SCARBOROUGH, ONTARIO, M1B 1M8,  
Tel. (416)292 5161 ext. 2336, Fax. (416)292 4477

**Chile:** Av. Santa Maria 0760, SANTIAGO,  
Tel. (02)773 816, Fax. (02)777 6730

**Colombia:** IPRELENZO LTDA, Carrera 21 No. 56-17,  
77621 BOGOTA, Tel. (571)249 7624/(571)217 4609,  
Fax. (571)217 4549

**Denmark:** Prags Boulevard 80, PB 1919, DK-2300 COPENHAGEN S,  
Tel. (032)88 2636, Fax. (031)57 1949

**Finland:** Sinikalliontie 3, FIN-02630 ESPOO,  
Tel. (9)0-50261, Fax. (9)0-520971

**France:** 4 Rue du Port-aux-Vins, BP317,  
92156 SURESNES Cedex,  
Tel. (01)4099 6161, Fax. (01)4099 6427

**Germany:** PHILIPS COMPONENTS UB der Philips G.m.b.H.,  
P.O. Box 10 63 23, 20043 HAMBURG,  
Tel. (040)3296-0, Fax. (040)3296 213.

**Greece:** No. 15, 25th March Street, GR 17778 TAVROS,  
Tel. (01)4894 339/4894 911, Fax. (01)4814 240

**Hong Kong:** PHILIPS HONG KONG Ltd., Components Div.,  
6/F Philips Ind. Bldg., 24-28 Kung Yip St., KWAI CHUNG, N.T.,  
Tel. (852)424 5121, Fax. (852)428 6729

**India:** Philips INDIA Ltd, Components Dept,  
Shivsagar Estate, A Block,  
Dr. Annie Besant Rd. Worli, Bombay 400 018  
Tel. (022)4938 541, Fax. (022)4938 722

**Indonesia:** Philips House, Jalan H.R. Rasuna Said Kav. 3-4,  
P.O. Box 4252, JAKARTA 12950,  
Tel. (021)5201 122, Fax. (021)5205 189

**Ireland:** Newstead, Clonskeagh, DUBLIN 14,  
Tel. (01)640 000, Fax. (01)640 200

**Italy:** PHILIPS COMPONENTS S.r.l.,  
Viale F. Testi, 327, 20162 MILANO,  
Tel. (02)6752.3302, Fax. (02)6752 3300.

**Japan:** Philips Bldg 13-37, Kohnan2-chome, Minato-ku, TOKYO 108,  
Tel. (03)3740 5028, Fax. (03)3740 0580

**Korea:** (Republic of) Philips House, 260-199 Itaewon-dong,  
Yongsan-ku, SEOUL, Tel. (02)794-5011, Fax. (02)798-8022

**Malaysia:** No. 76 Jalan Universiti, 46200 PETALING JAYA,  
SELANGOR, Tel. (03)750 5214, Fax. (03)757 4880

**Mexico:** Philips Components, 5900 Gateway East, Suite 200,  
EL PASO, TX 79905, Tel. 9-5(800)234-7381, Fax. (708)296-8556

**Netherlands:** Postbus 90050, 5600 PB EINDHOVEN, Bldg. VB  
Tel. (040)783749, Fax. (040)788399

**New Zealand:** 2 Wagener Place, C.P.O. Box 1041, AUCKLAND,  
Tel. (09)849-4160, Fax. (09)849-7811

**Norway:** Box 1, Manglerud 0612, OSLO,  
Tel. (022)74 8000, Fax. (022)74 8341

**Pakistan:** Philips Electrical Industries of Pakistan Ltd.,  
Exchange Bldg. ST-2/A, Block 9, KDA Scheme 5, Clifton,  
KARACHI 75600, Tel. (021)587 4641-49,  
Fax. (021)577035/5874546.

**Philippines:** PHILIPS SEMICONDUCTORS PHILIPPINES Inc,  
106 Valero St. Salcedo Village, P.O. Box 2108 MCC, MAKATI,  
Metro MANILA, Tel. (02)810 0161, Fax. (02)817 3474

**Portugal:** PHILIPS PORTUGUESA, S.A.,  
Rua dr. António Loureiro Borges 5, Arquiparque - Miraflores,  
Apartado 300, 2795 LINDA-A-VELHA,  
Tel. (01)14163160/4163333, Fax. (01)14163174/4163366.

**Singapore:** Lorong 1, Toa Payoh, SINGAPORE 1231,  
Tel. (65)350 2000, Fax. (65)251 6500

**South Africa:** S.A. PHILIPS Pty Ltd., Components Division,  
195-215 Main Road Martindale, 2092 JOHANNESBURG,  
P.O. Box 7430 Johannesburg 2000,  
Tel. (011)470-5911, Fax. (011)470-5494.

**Spain:** Balmes 22, 08007 BARCELONA,  
Tel. (03)301 6312, Fax. (03)301 42 43

**Sweden:** Kottbygatan 7, Akalla. S-164 85 STOCKHOLM,  
Tel. (0)8-632 2000, Fax. (0)8-632 2745

**Switzerland:** Allmendstrasse 140, CH-8027 ZÜRICH,  
Tel. (01)488 2211, Fax. (01)481 77 30

**Taiwan:** PHILIPS TAIWAN Ltd., 23-30F, 66, Chung Hsiao West  
Road, Sec. 1. Taipei, Taiwan ROC, P.O. Box 22978,  
TAIPEI 100, Tel. (02)388 7666, Fax. (02)382 4382.

**Thailand:** PHILIPS ELECTRONICS (THAILAND) Ltd.,  
209/2 Sanpavuth-Bangna Road Prakanong,  
Bangkok 10260, THAILAND,  
Tel. (662)398-0141, Fax. (662)398-3319.

**Turkey:** Talatpasa Cad. No. 5, 80640 GÜLTEPE/ISTANBUL,  
Tel. (0212)279 2770, Fax. (0212)269 3094

**United Kingdom:** Philips Semiconductors Limited, P.O. Box 65,  
Philips House, Torrington Place, LONDON, WC1E 7HD,  
Tel. (071)436 41 44, Fax. (071)323 03 42

**United States:** INTEGRATED CIRCUITS:  
811 East Arques Avenue, SUNNYVALE, CA 94088-3409,  
Tel. (800)234-7381, Fax. (708)296-8556  
DISCRETE SEMICONDUCTORS: 2001 West Blue Heron Blvd.,  
P.O. Box 10330, RIVIERA BEACH, FLORIDA 33404,  
Tel. (800)447-3762 and (407)881-3200, Fax. (407)881-3300

**Uruguay:** Coronel Mora 433, MONTEVIDEO,  
Tel. (02)70-4044, Fax. (02)92 0601

**For all other countries apply to:** Philips Semiconductors,  
International Marketing and Sales, Building BAF-1,  
P.O. Box 218, 5600 MD, EINDHOVEN, The Netherlands,  
Telex 35000 phtcnl, Fax. +31-40-724825

SCD31

© Philips Electronics N.V. 1994

All rights are reserved. Reproduction in whole or in part is prohibited without the prior written consent of the copyright owner.

The information presented in this document does not form part of any quotation or contract, is believed to be accurate and reliable and may be changed without notice. No liability will be accepted by the publisher for any consequence of its use. Publication thereof does not convey nor imply any license under patent- or other industrial or intellectual property rights.

Printed in The Netherlands

533061/1500/03/pp24

Date of release: June 1994

Document order number:

9397 734 70011

# Philips Semiconductors



# PHILIPS