

## DEFLECTION PROCESSOR FOR MULTISYNC MONITOR

### HORIZONTAL

- DUAL PLL CONCEPT
- 150kHz MAXIMUM FREQUENCY
- SELF-ADAPTIVE (EX : 30 TO 85kHz)
- X-RAY PROTECTION INPUT
- DC ADJUSTABLE DUTY-CYCLE
- INTERNAL 1st PLL LOCK/UNLOCK IDENTIFICATION
- 4 OUTPUTS FOR S-CORRECTION
- WIDE RANGE DC CONTROLLED H-POSITION
- ON/OFF SWITCH (FOR PWR MANAGEMENT)
- TWO H-DRIVE POLARITIES

### VERTICAL

- VERTICAL RAMP GENERATOR
- 50 TO 150Hz AGC LOOP
- DC CONTROLLED V-AMP, V-POS, S-AMP AND S-CENTERING
- ON/OFF SWITCH

### B+ REGULATOR

- INTERNAL PWM GENERATOR FOR B+ CURRENT MODE STEP-UP CONVERTER
- DC ADJUSTABLE B+ VOLTAGE
- OUTPUT PULSES SYNCHRONISED ON HORIZONTAL FREQUENCY
- INTERNAL MAXIMUM CURRENT LIMITATION

### EWPPC

- VERTICAL PARABOLA GENERATOR WITH DC CONTROLLED KEYSTONE AND AMPLITUDE

### GENERAL

- ACCEPT POS. OR NEG. H AND V SYNC POLARITIES
- SEPARATED H AND V TTL INPUT
- SAFETY BLANKING OUTPUT

### DESCRIPTION

The TDA9103 is a monolithic integrated circuit assembled in a 42 pins shrunk dual in line plastic package.

This IC controls all the functions related to the horizontal and vertical deflection in multimodes or multisync monitors.

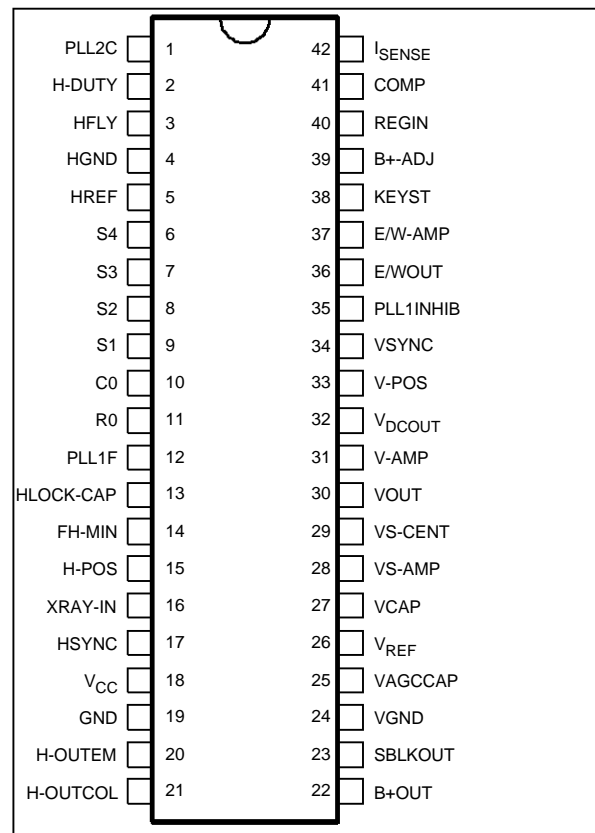
As can be seen in the block diagram, the TDA9103 includes the following functions :

- Positive or Negative sync polarities,
- Auto-sync horizontal processing,
- H-PLL lock/unlock identification,
- Auto-sync Vertical processing,
- East/West signal processing block,
- B+ controller,
- Safety blanking output.

This IC, combined with TDA9205 (RGB preamp), STV9420/21 or 22 (O.S.D. processor), ST7271 (micro controller) and TDA8172 (vertical booster), allows to realize very simple and high quality multimodes or multisync monitors.



### PIN CONNECTIONS

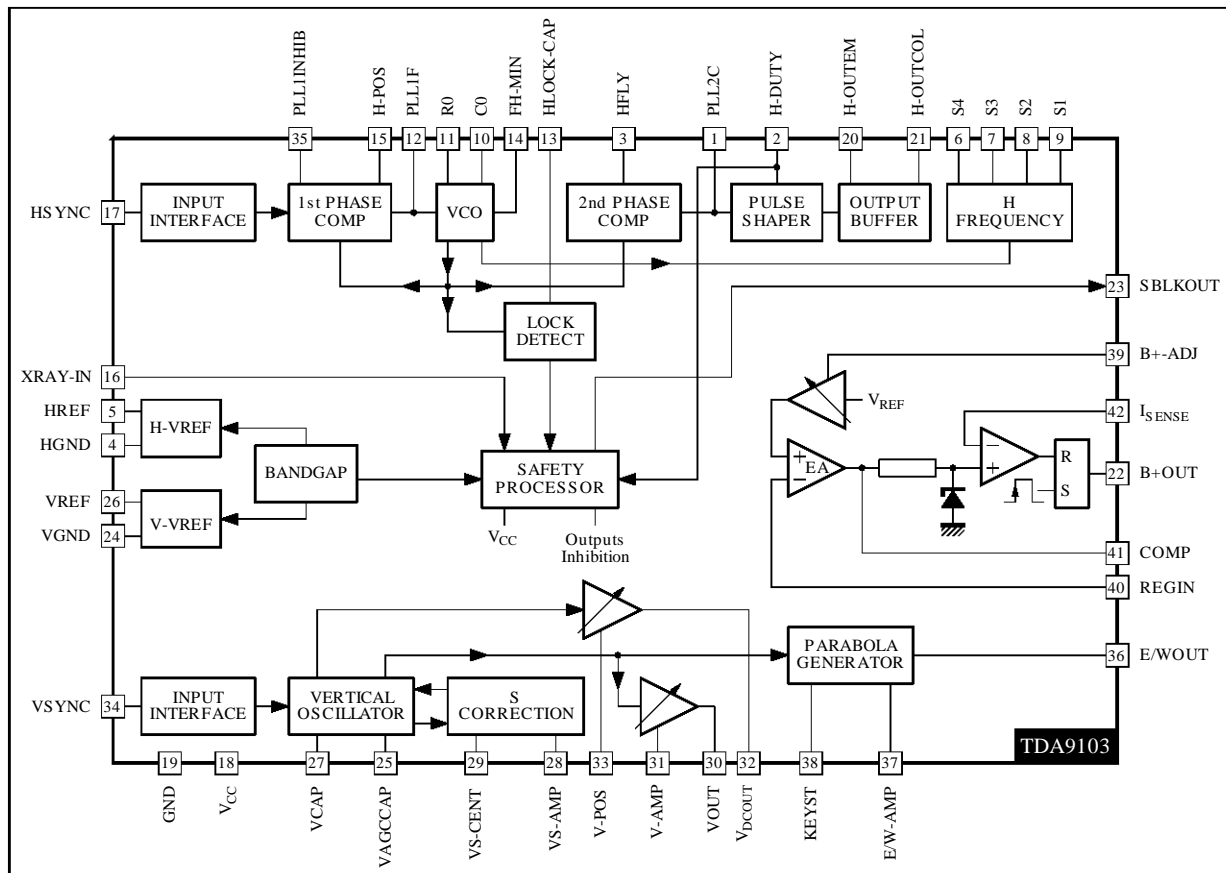


## PIN-OUT DESCRIPTION

Pin N°	Name	Function
1	PLL2C	Second PLL Loop Filter
2	H-DUTY	DC Control of Horizontal Drive Output Pulse Duty-cycle. If this pin is grounded, the horizontal and vertical outputs are inhibited. By connecting a capacitor on this pin a soft-start function may be realized on h-drive output.
3	H-FLY	Horizontal Flyback Input (positive Polarity)
4	H-GND	Horizontal Section Ground. Must be connected only to components related to H blocks.
5	H-REF	Horizontal Section Reference Voltage. Must be filtered by capacitor to Pin 4
6	S4	Hor S-CAP Switching
7	S3	Hor S-CAP Switching
8	S2	Hor S-CAP Switching
9	S1	Hor S-CAP Switching
10	C0	Horizontal Oscillator Capacitor. To be connected to Pin 4.
11	R0	Horizontal Oscillator Resistor. To be connected to Pin 4.
12	PLL1F	First PLL Loop Filter. To be connected to Pin 4.
13	HLOCK-CAP	First PLL Lock/Unlock Time Constant Capacitor. Capacitor filtering the frequency change detected on Pin13. When frequency is changing, a blanking pulse is generated on Pin 23, the duration of this pulse is proportionnal to the capacitor on Pin 13. To be connected to Pin 4.
14	FH-MIN	DC Control for Free Running Frequency Setting. Comming from DAC output or DC voltage generated by a resistor bridge connected between Pin 5 and 4.
15	H-POS	DC Control for Horizontal Centering
16	XRAY-IN	X-RAY Protection Input (with internal latch function)
17	H-SYNC	TTL Horizontal Sync Input
18	V <sub>CC</sub>	Supply Voltage (12V Typical)
19	GND	Ground
20	H-OUTEM	Horizontal Drive Output (emiter of internal transistor). See description on pages 15-16.
21	H-OUTCOL	Horizontal Drive Output (open collector of internal transistor). See description on pages 15-16.
22	B+ OUT	B+ PWM Regulator Output
23	SBLK OUT	Safety Blanking Output. Activated during frequency changes, when X-RAY input is triggered or when VS is too low.
24	VGND	Vertical Section Signal Ground
25	VAGCCAP	Memory Capacitor for Automatic Gain Control Loop in Vertical Ramp Generator
26	V <sub>REF</sub>	Vertical Section Reference Voltage
27	VCAP	Vertical Sawtooth Generator Capacitor
28	VS-AMP	DC Control of Vertical S Shape Amplitude
29	VS-CENT	DC Control of Vertical S Centering
30	VOUT	Vertical Ramp Output (with frequency independant amplitude and S-correction)
31	V-AMP	DC Control of Vertical Amplitude Adjustment
32	V <sub>DCOUT</sub>	Vertical Position Reference Voltage Output Temperature Matched with V-AMP Output
33	V-POS	DC Control of Vertical Position Adjustment
34	VSYNC	Vertical TTL Sync Input
35	PLL1INHIB	TTL Input for PLL1 Output Current Inhibition (To be used in case of comp sync input signal)
36	E/WOUT	East/West Pincushion Correction Parabola Output
37	E/W-AMP	DC Control of East/West Pincushion Correction Amplitude
38	KEYST	DC Control of Keystone Correction
39	B+ ADJ	DC Control of B+ Adjustment
40	REGIN	Regulation Input of B+ Control Loop
41	COMP	B+ Error Amplifier Output for Frequency Compensation and Gain Setting
42	ISENSE	Sensing of External B+ Switching Transistor Emitter Current

9103-01.TBL

**BLOCK DIAGRAM**



9103-02.EPS

**QUICK REFERENCE DATA**

Parameter	Value	Unit
Horizontal Frequency Range	15 to 150	kHz
Autosynch Frequency Range (for Given R0, C0)	1 to 3.7	FH
± Hor Sync Polarity Input	YES	
Compatibility with Composite Sync on H-SYNC Input	YES (1)	
Lock/Unlock Identification on 1st PLL	YES	
DC Control for H-Position	YES	
X-RAY Protection	YES	
Hor DUTY Adjust	YES	
Stand-by Function	YES	
Hor S-CAP Switching Control	YES	
Two Polarities H-Drive Outputs	YES	
Supply Voltage Monitoring	YES	
PLL1 Inhibition Possibility	YES	
Safety Blanking Output	YES	
Vertical Frequency Range	35 to 200	Hz
Vertical Autosynch Range (for a Given Capacitor Value)	50 to 150	Hz
Vertical -S- Correction	YES	
Vertical -C- Correction	YES	
Vertical Amplitude Adjustment	YES	
Vertical Position Adjustment	YES	
Automatic B+ Adjustment Control Loop	YES	
B+ Adjustment	YES	
East/West Parabola Output	YES	
PCC (Pin Cushion Correction) Amplitude Adjustment	YES	
Keystone Adjustment	YES	
Reference Voltage	YES (2)	
Mode Detection	NO	
Dynamic Focus	NO	
Blanking Output	NO	

9103-02.TBL

**Notes :** 1. See application diagram.  
 2. One for Horizontal section and one for Vertical section.

**ABSOLUTE MAX RATING**

Symbol	Parameter	Value	Unit
V <sub>CC</sub>	Supply Voltage (Pin 18)	13.5	V
V <sub>IN</sub>	Max Voltage on Pins 2, 14, 15, 28, 29, 31, 33, 37, 38, 39 Pin 3 Pins 17, 34 Pin 40 Pin 42 Pin 16	8 1.8 6 8 8 5.5	V
VESD	ESD Susceptibility Human Body Model, 100pF Discharge through 1.5kΩ EIAJ Norm, 200pF Discharge through 0Ω	2 300	kV V
T <sub>stg</sub>	Storage Temperature	-40, +150	°C
T <sub>j</sub>	Max Operating Junction Temperature	150	°C
T <sub>oper</sub>	Operating Temperature	0, +70	°C

9103-03.TBL

**THERMAL DATA**

Symbol	Parameter	Value	Unit
R <sub>th(j-a)</sub>	Junction-Ambient Thermal Resistance	Max. 65	°C/W

9103-04.TBL

**HORIZONTAL SECTION****Operating conditions**

Symbol	Parameter	Test conditions	Min.	Typ.	Max.	Unit
VCO						
R0min	Oscillator Resistor Min Value	Pin 11	6			kΩ
C0min	Oscillator Capacitor Min Value	Pin 10	390			pF
Fmax	Maximum Oscillator Frequency				150	kHz
HsVR	Horizontal Sync Input Voltage Range	Pin 17	0		5.5	V

**INPUT SECTION**

MinD	Minimum Input Pulses Duration	Pin 17	0.7			μS
Mduty	Maximum Input Signal Duty Cycle	Pin 17			25	%

**OUTPUT SECTION**

I3m	Maximum Input Peak Current on Pin 3				2	mA
IS1 to IS4	Maximum Current on S1 to S4 Outputs	Pins 6 to 9			0.5	mA
VS1 to VS4	Maximum Voltage on S1 to S4 Outputs	Pins 6 to 9			V <sub>CC</sub>	V
HOI1	Horizontal Drive Output Max Current	Pin 20, sourced current			20	mA
HOI2	Horizontal Drive Output Max Current	Pin 21, sunk current			20	mA

**DC CONTROL VOLTAGES**

DCadj	DC Voltage Range on DC Controls	V <sub>REF-H</sub> = 8V, Pins 2-14-15	2		6	V
-------	---------------------------------	---------------------------------------	---	--	---	---

9103-05.TBL

**Electrical Characteristics** ( $V_{CC} = 12V$ ,  $T_{amb} = 25^{\circ}C$ )

Symbol	Parameter	Test conditions	Min.	Typ.	Max.	Unit
<b>SUPPLY AND REFERENCE VOLTAGES</b>						
$V_{CC}$	Supply Voltage	Pin 18	10.8	12	13.2	V
$I_{CC}$	Supply Current	Pin 18, See Figure 1		40	60	mA
$V_{REF-H}$	Reference Voltage for Horizontal Section	Pin 5, $I = 2mA$	7.4	8	8.6	V
$I_{REF-H}$	Max Sourced Current on $V_{REF-H}$	Pin 5			5	mA
$V_{REF-V}$	Reference Voltage for Vertical Section	Pin 26, $I = 2mA$	7.4	8	8.6	V
$I_{REF-V}$	Max Sourced Current on $V_{REF-V}$	Pin 26			5	mA

**INPUT SECTION/PLL1**

$V_{INTH}$	Hor Input Threshold Voltage Pin 17	Low level voltage High level voltage	2		0.8	V V
$V_{VCO}$	VCO Control Voltage Range	$V_{REF-H} = 8V$ , Pin 12	1.6		6.2	V
VCOG	VCO Gain, dF/dV Pin 12	$R_0 = 6.49k\Omega$ , $C_0 = 680pF$		15		kHz/V
Hph	Horizontal Phase Adj Range (Pin 15)	% of Hor period		$\pm 12.5$		%
FFadj	Free Running Frequency Adj Range (Pin 14)	Without H-sync Signal		$\pm 20$		%
S1th	VCO Input Voltage for S1 Switching	Pin 12 voltage, $V_{REF-H} = 8V$	1.85	2	2.25	V
S2th	VCO Input Voltage for S2 Switching	Pin 12 voltage, $V_{REF-H} = 8V$	2.25	2.4	2.65	V
S3th	VCO Input Voltage for S3 Switching	Pin 12 voltage, $V_{REF-H} = 8V$	2.9	3	3.3	V
S4th	VCO Input Voltage for S4 Switching	Pin 12 voltage, $V_{REF-H} = 8V$	3.5	3.7	3.9	V
F0	Free Running Frequency	$V_{14} = V_{REF}/2$ $R_0 = 6.49k\Omega$ $C_0 = 680pF$	23.5	25	27.5	kHz
VS1D to VS4D	Low Level Output Voltage on S1 to S4 Outputs	Pins 6 to 9, $I = 0.5mA$		0.2	0.4	V
CR	PLL1 Capture Range ( $F_0 = 27kHz$ ) Fh Min Fh Max	See conditions on Figure 1	94		28	kHz
PLLinh	PLL 1 Inhibition (Pin 35) PLL ON PLL OFF	$V_{35}$ $V_{35}$	2		0.8	V

**SECOND PLL AND HORIZONTAL OUTPUT SECTION**

FBth	Flyback Input Threshold Voltage	Pin 3	0.65	0.75		V
Hjit	Horizontal Jitter			100		ppm
HDmin	Minimum Hor Drive Output Duty-cycle	Pin 20 or 21, $V_2 = 2V$		30	35	%
HDmin	Maximum Hor Drive Output Duty-cycle	Pin 20 or 21, $V_2 = 6V$	45	50		%
HDvd	Horizontal Drive Low Level Output Voltage	$V_{21}-V_{20}$ , $I_{out} = 20mA$ , Pin 20 to GND		1.1	1.7	V
HDem	Horizontal Drive High Level Output Voltage (output on Pin 20)	Pin 21 to $V_{CC}$ , $I_{OUT} = 20mA$	9.5	10		V
XRAYth	X-RAY Protection Input Threshold Voltage	Pin 16		1.6	1.8	V
ISblkO	Maximum Output Current on Safety Blanking Output	$I_{23}$			10	mA
VSblkO	Low-Level Voltage on Safety Blanking Output	$V_{23}$ with $I_{23} = 10mA$		0.25	0.5	V
Vphi2	Internal Clamping Voltage on 2nd PLL Loop Filter Output (Pin 1)	$V_{min}$ $V_{max}$		1.6 3.2		V V
$V_{OFF}$	Pin 2 Threshold Voltage to Stop H-out, V-out B+out and to Activate S-BLK.OFF Mode when $V_2 < V_{OFF}$	$V_2$		1		V

9109-06.TBL

**B+ SECTION****Operating Conditions**

Symbol	Parameter	Test conditions	Min.	Typ.	Max.	Unit
EAOI	Maximum Error Amplifier Output Current	Sourced by Pin 41 Sunk by Pin 41			0.5 2	mA mA
FeedRes	Minimum Feedback Resistor	Resistor between Pins 40 and 41	5			kΩ

9103-07.TBL

**Electrical Characteristics** ( $V_{CC} = 12V$ ,  $T_{amb} = 25^{\circ}C$ )

Symbol	Parameter	Test conditions	Min.	Typ.	Max.	Unit
OLG	Error Amplifier Open Loop Gain	At low frequency (see Note 1)		85		dB
UGBW	Unity Gain Bandwidth	(see Note 1)		6		MHz
IRI	Regulation Input Bias Current	Current sourced by Pin 40 (PNP base)		0.2		μA
EAOI	Maximum Guaranteed Error Amplifier Output Current	Current sourced by Pin 41 Current sunk by Pin 41	0.5 2			mA mA
CSG	Current Sense Input Voltage Gain	Pin 42		3		
MCEth	Max Current Sense Input Threshold Voltage	Pin 42		1.2		V
ISI	Current Sense Input Bias Current	Current sunk by Pin 42 (NPN base)		1		μA
Tonmax	Maximum External Power Transistor on Time	% of H-period @ $f_0 = 27kHz$		75		%
B+OSV	B+ Output Low Level Saturation Voltage	$V_{22}$ with $I_{22} = 10mA$		0.25		V
$V_{REF}$	Internal Reference Voltage	On error amp (+) input for $V_{39} = 4V$		4.9		V
$V_{REFADJ}$	Internal Reference Voltage Adjustment Range	$2V < V_{39} < 6V$		±14		%

9103-08.TBL

**EAST WEST PARABOLA GENERATOR****Electrical Characteristics** ( $V_{CC} = 12V$ ,  $T_{amb} = 25^{\circ}C$ )

Symbol	Parameter	Test conditions	Min.	Typ.	Max.	Unit
Vsym	Parabola Symetry Adjustment Capability (for Keystone Adjustment ; with Pin 38)	See Figure 2 ; internal voltage $V_{38} = 2V$ $V_{38} = 4V$ $V_{38} = 6V$		3.2 3.5 3.8		V
Kadj	Keystone Adjustment Capability B/A ratio A/B ratio	See Figure 2 ; $V_{37} = 4V$ $V_{38} = 2V$ $V_{38} = 6V$		2.3 2.0		
Paramp	Parabola Amplitude Adjustment Capability Maximum Amplitude on Pin 36 Maximum Ratio between Max and Min	$V_{38} = 4.3V$ , $V_{28} = 2V$ $V_{37} = 2V$ $2V < V_{37} < 6V$	3.3 2.4	3.8 3	4.3	V

9103-09.TBL

**VERTICAL SECTION**  
**Operating Conditions**

Symbol	Parameter	Test conditions	Min.	Typ.	Max.	Unit
VSVR	Vertical Sync Input Voltage Range	On Pin 34	0		5.5	V

9103-10.TBL

**Electrical Characteristics** ( $V_{CC} = 12V, T_{amb} = 25^{\circ}C$ )

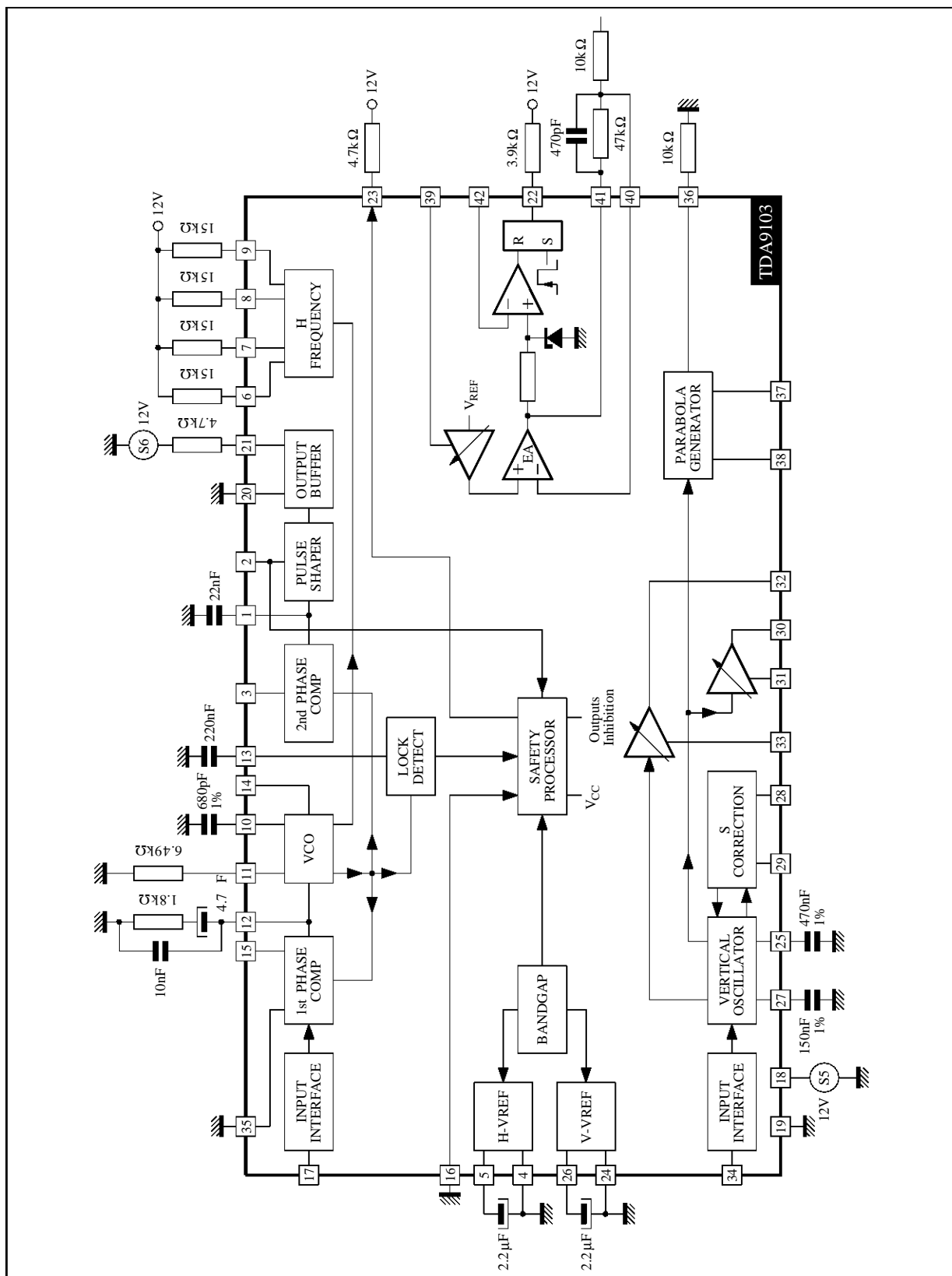
Symbol	Parameter	Test conditions	Min.	Typ.	Max.	Unit
I <sub>BIASP</sub>	Pin 23-28-29 Bias Current (Current Sourced by PNP Base)	For $V_{23-28-29} = 2V$		2		$\mu A$
I <sub>BIASN</sub>	Pin 31 Bias Current (Current Sunk by NPN Base)	For $V_{31} = 6V$		0.5		$\mu A$
V <sub>StH</sub>	Vertical Sync Input Threshold Voltage	Pin 34; High-level Low-level	2		0.8	V V
V <sub>SBI</sub>	Vertical Sync Input Bias Current (Current Sourced by PNP Base)	$V_{34} = 0.8V$		1		$\mu A$
V <sub>RB</sub>	Voltage at Ramp Bottom Point	On Pin 27		2/8		$V_{REF-V}$
V <sub>RT</sub>	Voltage at Ramp Top Point (with Sync)	On Pin 27		5/8		$V_{REF-V}$
V <sub>RTF</sub>	Voltage at Ramp Top Point (without Sync)	On Pin 27		VRT-0.1		V
I <sub>R27</sub>	Output Current Range on Pin 27 during Ramp Charging Time. Current to Charge Capacitor between Pin 27 and Ground	$V_{28} = 2V$ (Note 2), $2V < V_{27} < 5V$ Min current Max current	100	15 135	20	$\mu A$ $\mu A$
V <sub>SW</sub>	Minimum Vertical Sync Pulse Width	Pin 34	5			$\mu S$
V <sub>SmDut</sub>	Vertical Sync Input Maximum Duty-cycle	Pin 34			15	%
V <sub>STD</sub>	Vertical Sawtooth Discharge Time Duration	On Pin 27, with 150nF cap		85		$\mu S$
V <sub>FRF</sub>	Vertical Free Running Frequency ( $V_{28} = 2V$ )	Measured on Pin 27 Cosc (Pin27) = 150nF		100		Hz
ASFR	AUTO-SYNC Frequency Range (see Note 3)	With $C_{27} = 150nF \pm 5\%$	50		150	Hz
RATD	Ramp Amplitude Thermal Drift	On Pin 30 (see Note 1) ( $0^{\circ}C < T_{amb} < 70^{\circ}C$ )		100		ppm/ $^{\circ}C$
RAFD	Ramp Amplitude Drift Versus Frequency	$V_{31} = 6V, C_{27} = 150nF$ $50Hz < F < 120Hz$		200		ppm/Hz
R <sub>lin</sub>	Ramp Linearity on Pin 27 $\Delta I_{27}/I_{27}$	$V_{28} = 2V, V_{25} = 4.3V$ $2.5V < V_{27} < 4.5V$		0.5		%
R <sub>load</sub>	Minimum Load on Pin 25 for less than 1% Vertical Amplitude Drift		50			M $\Omega$
V <sub>pos</sub>	Vertical Position Adjustment Range Voltage on Pin 32	$V_{33} = 2V$ $V_{33} = 4V$ $V_{33} = 6V$	3.65	3.2 3.5 3.8	3.3	V V V
I <sub>VPOS</sub>	Max Current on Vertical Position Control Output (Pin 32)			$\pm 2$		mA
V <sub>or</sub>	Vertical Output Voltage Range (on Pin 30) (Peak to Peak Voltage on Pin 30)	$V_{31} = 2V$ $V_{31} = 4V$ $V_{31} = 6V$	3.75	2 3 4	2.2	V V V
V <sub>OUTDC</sub>	DC Voltage on Vertical Output (Pin30)	See Note 4		7/16		$V_{REF-V}$
V <sub>Ol</sub>	Vertical Output Maximum Output Current	On Pin 30		$\pm 5$		mA
d <sub>VS</sub>	Max Vertical S-Correction Amplitude ( $V_{28} = 2V$ Inhibits S-CORR; $V_{28} = 6V$ gives Maximum S-CORR) (see Figure 3)	$\Delta V/V_{30pp}$ at T/4 $\Delta V/V_{30pp}$ at 3T/4		-4 +4		% %
C <sub>corr</sub>	C-Correction Adjustment Range Voltage on Pin 27 for Maximum Slope on the Ramp (with S-Correction) (see Figure 4)	$V_{29} = 2V$ $V_{29} = 4V$ $V_{29} = 6V$		3 3.5 4		V V V

9103-11.TBL

- Notes :**
1. These parameters are not tested on each unit. They are measured during our internal qualification procedure which includes characterization on batches coming from corners of our processes and also temperature characterization.
  2. When 2V are applied on Pin 28 (Vertical S-Correction control), then the S-Correction is inhibited, consequently the sawtooth have a linear shape.
  3. It is the frequency range for which the VERTICAL OSCILLATOR will automatically synchronize, using a single capacitor value on Pin 27 and with a constant ramp amplitude.
  4. Typically 3.5V for Vertical reference voltage typical value (8V).

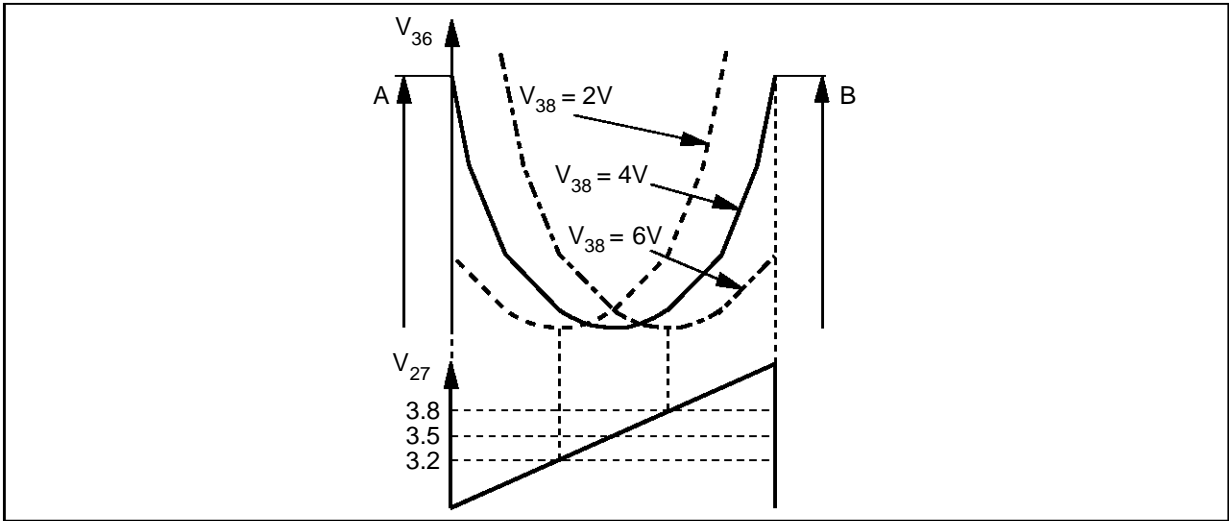


Figure 1 : Testing Circuit



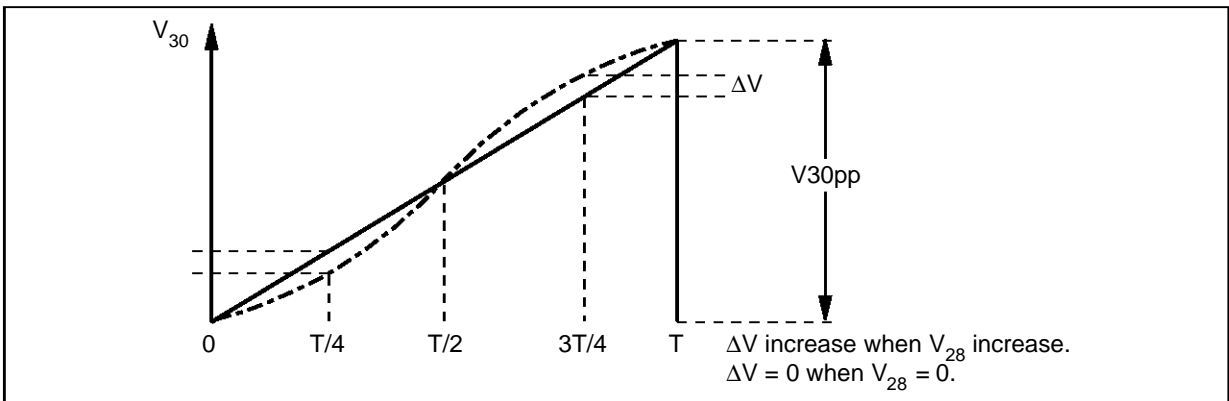
9103-54.EPS

Figure 2 : Keystone Adjustment



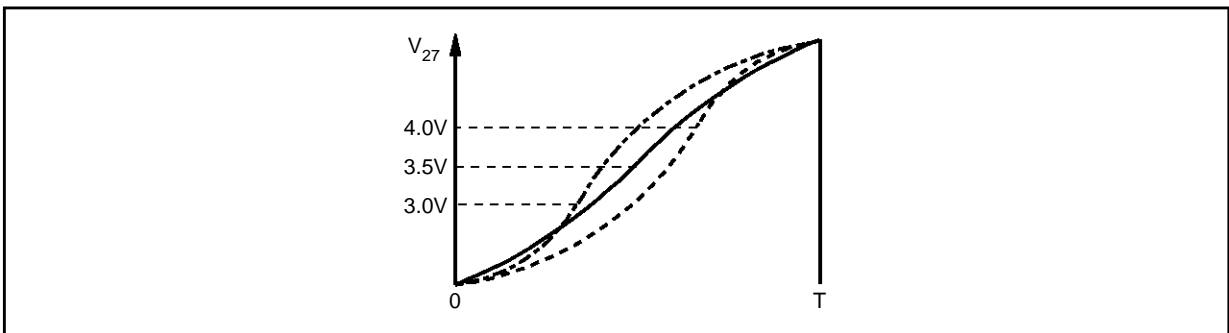
9103-03.A1

Figure 3 : S Amplitude Adjustment



9103-04.A1

Figure 4 : C Correction Adjustment



9103-05.A1

## OPERATING DESCRIPTION

### GENERAL CONSIDERATIONS

#### Power Supply

The typical value of the power supply voltage  $V_{CC}$  is 12V. Perfect operation is obtained if  $V_{CC}$  is maintained in the limits : 10.8V  $\rightarrow$  13.2V.

In order to avoid erratic operation of the circuit during the transient phase of  $V_{CC}$  switching on, or switching off, the value of  $V_{CC}$  is monitored and the outputs of the circuit are inhibited if it is too low.

In order to have a very good power supply rejection, the circuit is internally powered by several internal voltage references (The unique typical value of which is 8V). Two of these voltage references are externally accessible, one for the vertical part and one for the horizontal part. These voltage references can be used for the DC control voltages applied on the concerned pins by the way of potentiometers or digital to analog converters (DAC's). Furthermore it is possible to filter the a.m. voltage references by the use of external capacitor connected to ground, in order to minimize the noise and consequently the "jitter" on vertical and horizontal output signals.

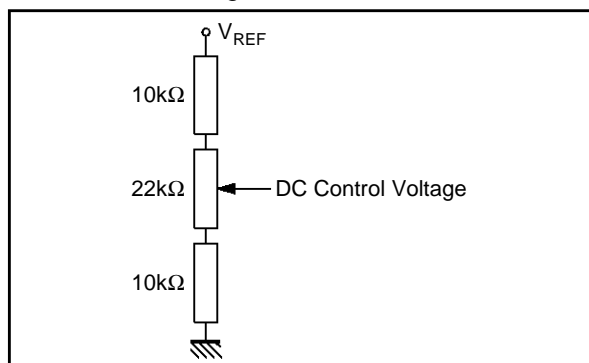
#### DC Control Adjustments

The circuit has 10 adjustment capabilities : 3 for the horizontal part, 1 for the SMPS part, 2 for the E/W correction, 4 for the vertical part.

The corresponding inputs of the circuit has to be driven with a DC voltage typically comprised between 2 and 6V for a value of the internal voltage reference of 8V.

More precisely, the control voltages have to be maintained between  $V_{REF}/4$  and  $3/4 \cdot V_{REF}$ . The application of control voltages outside this range is not dangerous for the circuit but the good operation is not guaranteed (except for Pin 2 : duty cycle adjustment. See outputs inhibition paragraph).

**Figure 5 :** Example of Practical DC Control Voltage Generation



9103-06.AI

The input currents of the DC control inputs are typically very low (about a few  $\mu A$ ). Depending on the internal structure of the inputs, the input currents can be positive or negative (sink or source).

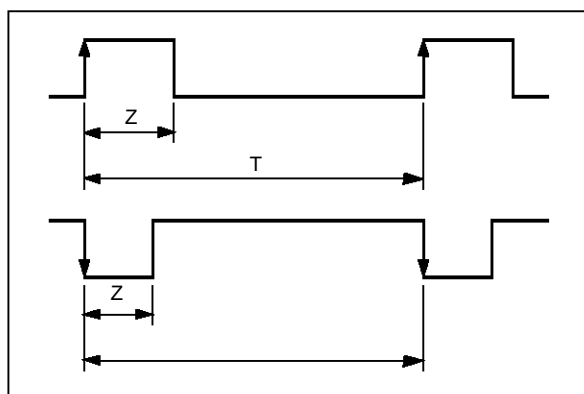
### HORIZONTAL PART

#### Input section

The horizontal input is designed to be sensitive to TTL signals typically comprised between 0 and 5V. The typical threshold of this input is 1.6V. This input stage uses an NPN differential stage and the input current is very low.

Concerning the duty cycle of the input signal, the following signals may be applied to the circuit.

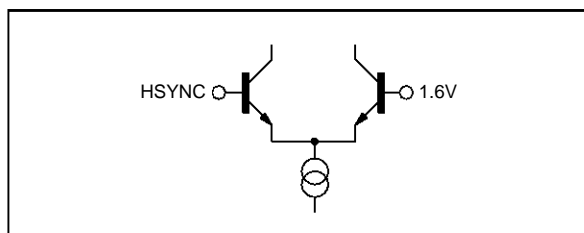
**Figure 6**



9103-07.AI

Using internal integration, both signals are recognized on condition that  $Z/T \leq 25\%$ . Synchronisation occurs on the leading edge of the rectified signal. The minimum value of Z is 0.7 $\mu s$ .

**Figure 7 :** Input Structure



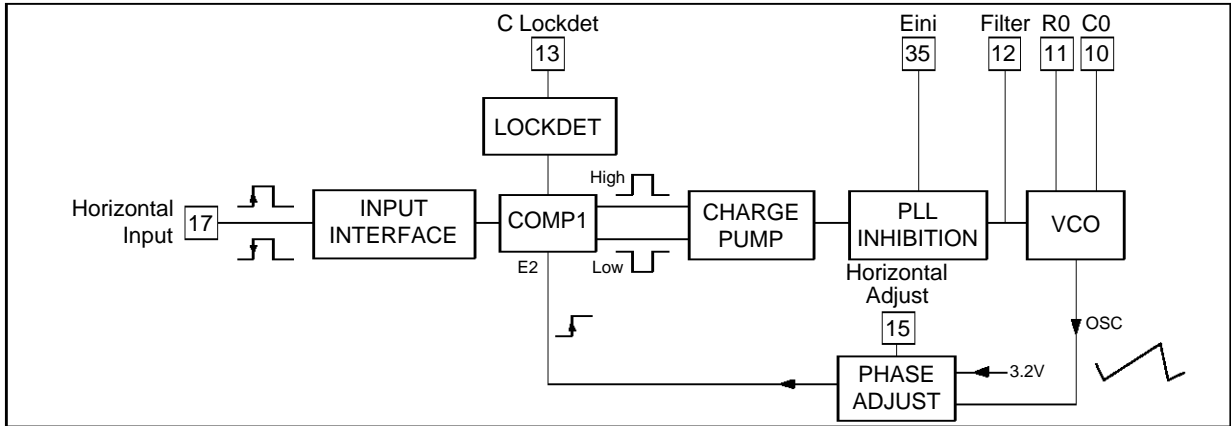
9103-08.AI

#### PLL1

The PLL1 is composed of a phase comparator, an external filter and a Voltage Controlled Oscillator (VCO).

The phase comparator is a "phase frequency" type, designed in CMOS technology. This kind of phase detector avoids locking on false frequencies. It is followed by a "charge pump", composed of 2 current sources sink and source ( $I = 1mA$  typ.)

Figure 8 : Principle Diagram



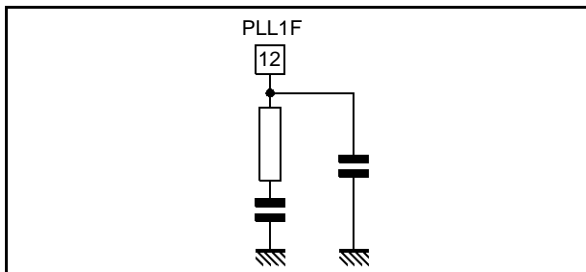
The dynamic behaviour of the PLL is fixed by an external filter which integrates the current of the charge pump. A "CRC" filter is generally used.

PLL1 is inhibited by applying a high level on Pin 35 (PLLInhib) which is a TTL compatible input. The inhibition results from the opening of a switch located between the charge pump and the filter (see Figure 8).

The VCO uses an external RC network. It delivers a linear sawtooth obtained by charge and discharge of the capacitor, by a current proportionnal to the current in the resistor. typical thresholds of sawtooth are 1.6V and 6.4V.

The control voltage of the VCO is typically comprised between 1.6V and 6V. The theoretical frequency range of this VCO is in the ratio 1 → 3.75, but due to spread and thermal drift of external components and the circuit itself, the effective frequency range has to be smaller (e.g. 30kHz → 82kHz). In the absence of synchronisation signal the control voltage is equal to 1.6V typ. and the VCO oscillates on its lowest frequency (free frequency). The synchro frequency has to be always higher than the free frequency and a margin has to be taken. As an example for a synchro range from 30kHz to 82kHz, the suggested free frequency is 27kHz. To compensate for the spread of external components and of the circuit itself, the free frequency may be adjusted by a DC voltage on Pin 14 (Fmin adjust) (see Figure10 for details).

Figure 9



The PLL1 ensures the coincidence between the leading edge of the synchro signal and a phase reference obtained by comparison between the sawtooth of the VCO and an internal DC voltage adjustable between 2.4V and 4V (by Pin 15). So a ±45° phase adjustment is possible.

Figure 10 : Details of VCO and Fhmin Adjustment

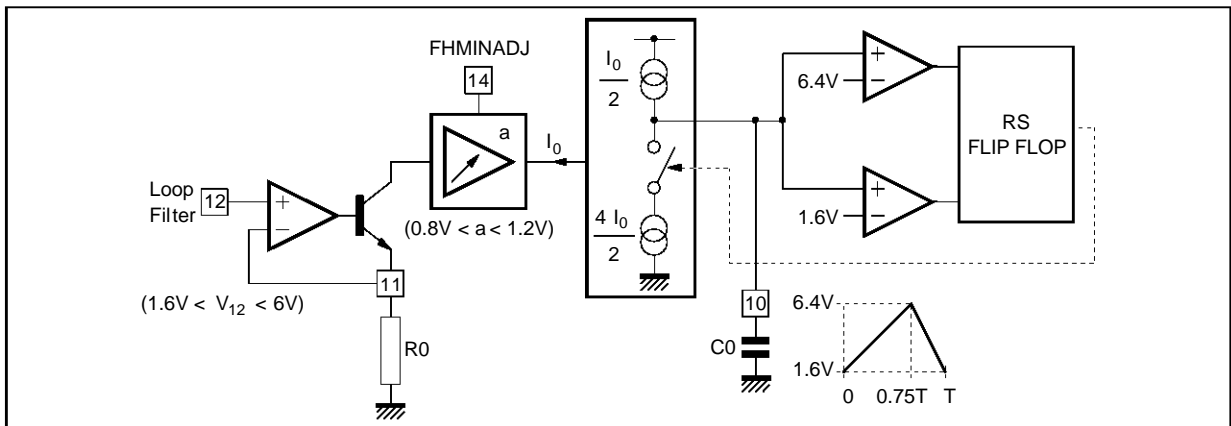
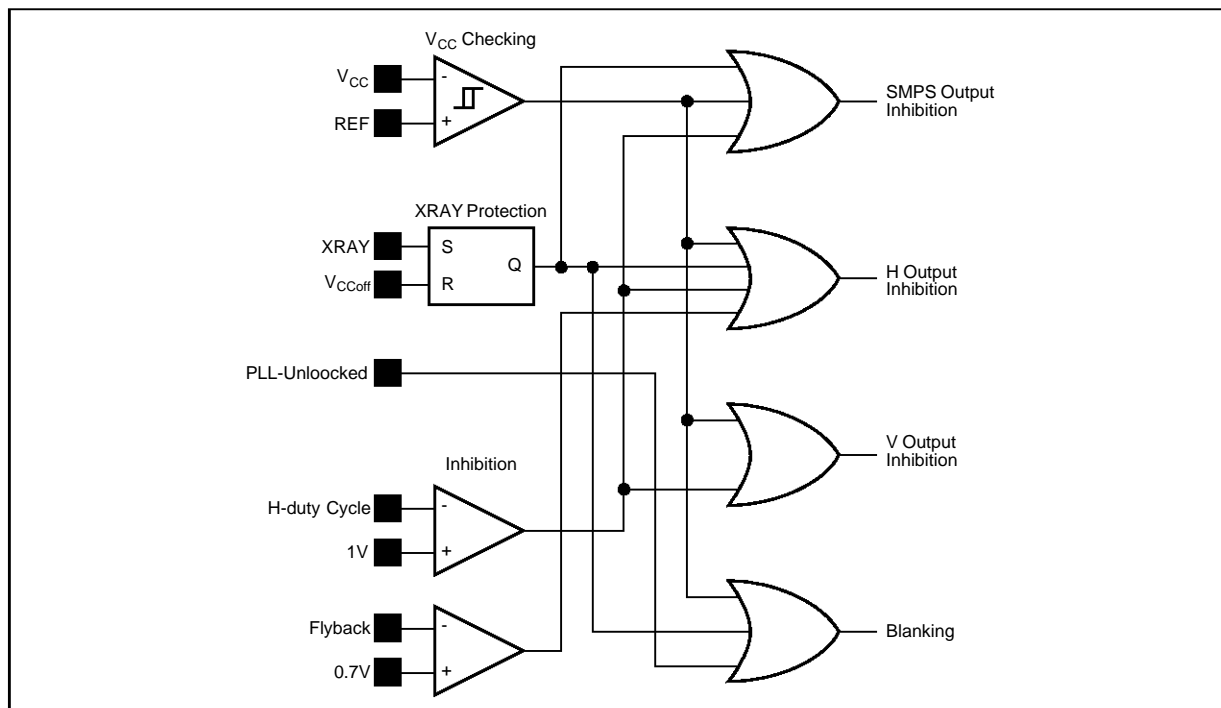
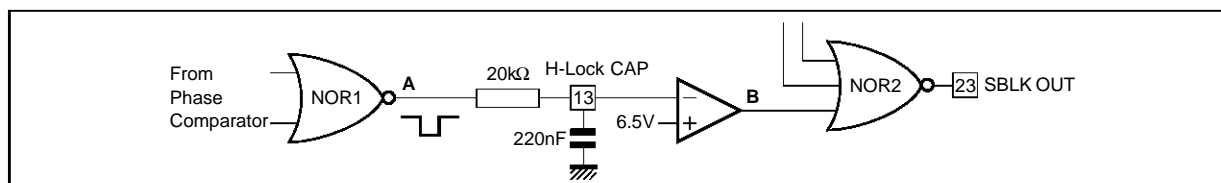


Figure 11 : Safety Functions Block Diagram



9103-21-1A1

Figure 12 : LOCK/UNLOCK Block Diagram



9103-59-1EFS

The TDA9103 also includes a LOCK/UNLOCK identification block which sense in real-time whether the PLL is locked on the incoming horizontal sync signal or not. The resulting information is available on safety blanking output (Pin 23) where it is mixed with others information (see Figure 11). The block diagram of the LOCK/UNLOCK function is described in Figure 12.

The NOR1 gate is receiving the phase comparator output pulses (which also drives the charge pump). When the PLL is locked, on point **A** there is a very small negative pulse (100ns) at each horizontal cycle, so after R-C filter, there is a high level on Pin 13 which force SBLK to high level (provided other inputs on NOR2 are also at low level). When the PLL is unlocked, the 100ns negative pulse on **A** becomes much larger and consequently the average level on Pin 13 will decrease. When it reaches 6.5V, point **B** goes to high level forcing NOR2 open collector output to "0".

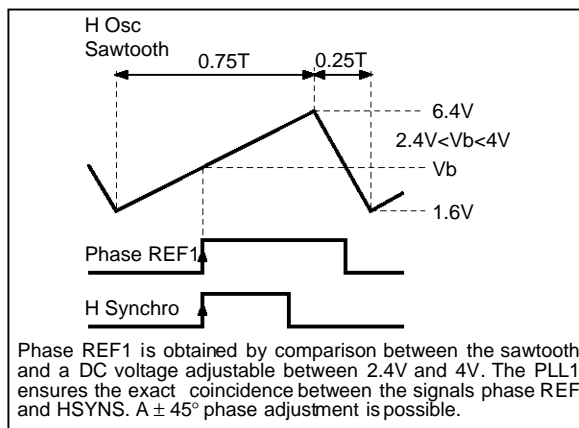
The status of Pin 13 is approximately the following :

- Near 0V when there is no H-SYNC,
- Between 0 and 4V with H-SYNC frequency differ-

- ent from VCO,
- Between 4 and 8V when H-SYNC frequency = VCO frequency but not in phase,
- Near to 8V when PLL is locked.

It is important to notice that Pin 13 is not an output pin and must only be used for filtering purpose (see Figure 12).

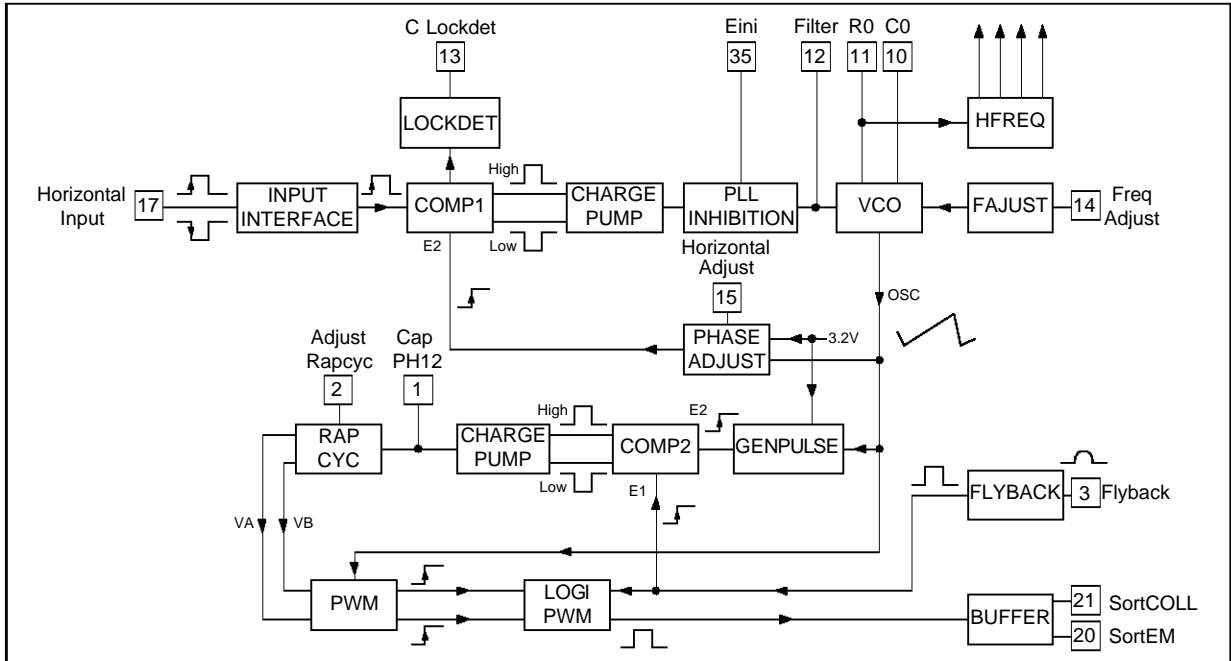
Figure 13 : PLL1 Timing Diagram



9103-16-A1

PLL2

Figure 14 : Dual PLL Block Diagram

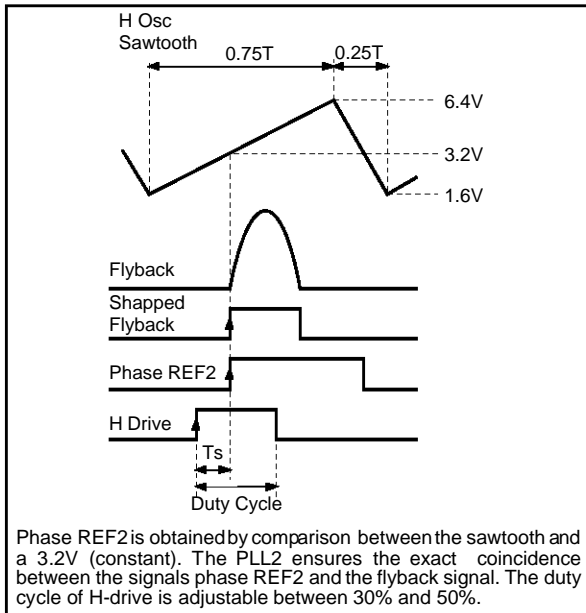


The PLL2 ensures the coincidence between the leading edge of the shaped flyback signal and a phase reference signal obtained by comparison of the sawtooth of the VCO and a constant DC voltage (3.2V) (see Figure 15).

$\pm 0.5\text{mA}$  (typ.) output current.

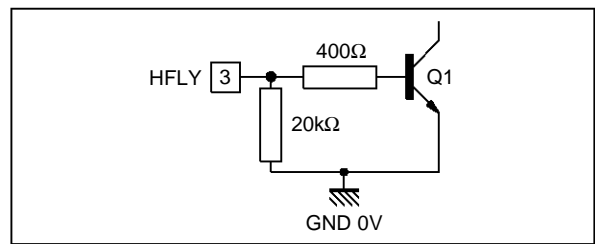
The flyback input is composed of an NPN transistor. This input has to be current driven. The maximum recommended input current is 2mA (see Figure 16).

Figure 15 : PLL2 Timing Diagram



The phase comparator of PLL2 is similar to the one of PLL1, it is followed by a charge pump with a

Figure 16 : Flyback Input Electrical Diagram



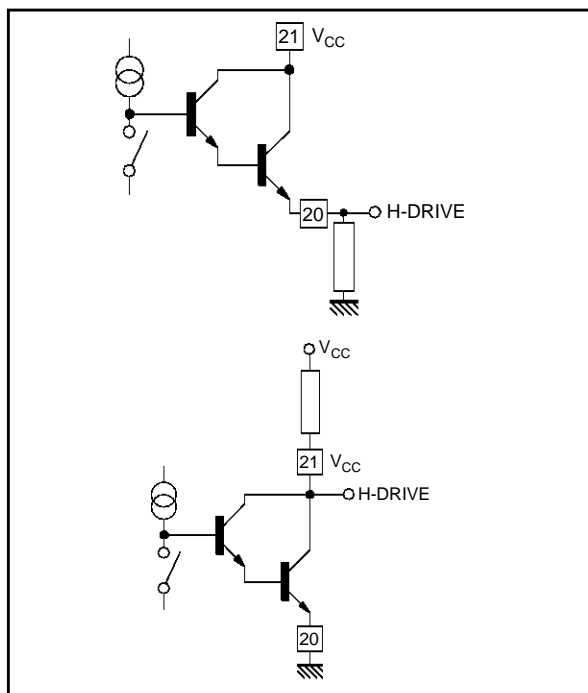
Output Section

The H-drive signal is transmitted to the output through a shaping block ensuring a duty cycle adjustable from 30% to 50%. In order to ensure a reliable operation of the scanning power part, the output is inhibited in the following circumstances :

- Vcc too low.
- Xray protection activated.
- During the flyback.
- Output voluntarily inhibited.

The output stage is composed of a Darlington NPN bipolar transistor. Both the collector and the emitter are accessible.

**Figure 17 :** Output stage simplified diagram, showing the two possibilities of connection



The output Darlington is in off-state when the power scanning transistor is also in off-state.

The maximum output current is 20mA, and the corresponding voltage drop of the output darlington is 1.1V typically.

It is evident that the power scanning transistor cannot be directly driven by the integrated circuit. An interface has to be designed between the circuit and the power transistor which can be of bipolar or MOS type.

**Outputs inhibition :** the application of a voltage lower than 1V (typ.) on Pin 2 (duty cycle adjust) inhibits the horizontal, vertical and SMPS outputs. This is not memorised.

**X-ray protection :** the activation of the X-ray protection is obtained by application of a high level on the X-ray input (>1.6V). Consequences of X-ray protection are :

- Inhibition of H drive output.
- Inhibition of SMPS output.
- Activation of safety blanking output.

The reset of this protection is obtained by Vcc switch off.

### S Correction. S Outputs

In the case where the "S correction" of the horizontal scanning is performed using capacitors, it is necessary to switch capacitors when the frequency changes.

For this the outputs S1, 2, 3 and 4 (Pins 9, 8, 7 and 16) give an indication about the horizontal frequency by monitoring the control voltage of the VCO (Pin 12).

The switching of the S outputs occurs for the following value of the control voltage.

S 1	2V
S 2	2.4V
S 3	3V
S 4	3.7V

The use of comparators with hysteresis avoids erratic switching of the Sout outputs if the control voltage of the VCO remains very close to a switching reference level.

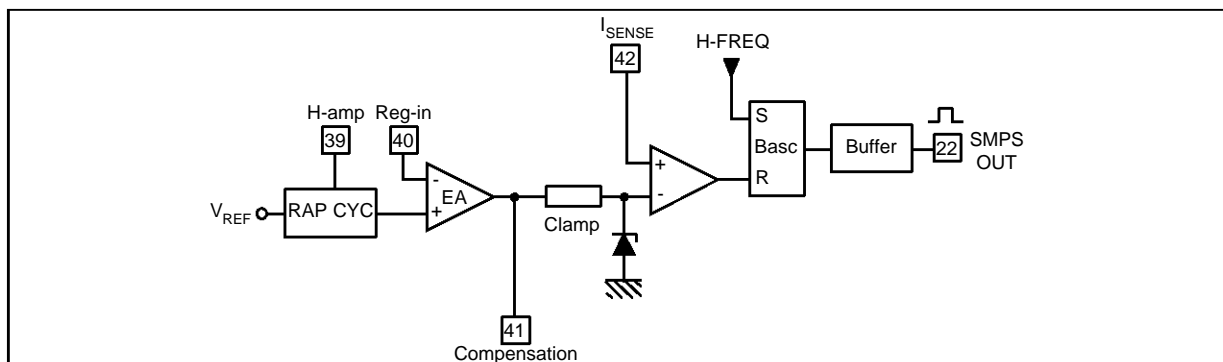
### SMPS

This unit generates the supply voltage for the horizontal scanning system. This supply voltage is approximately proportional to the H frequency in order to keep the scanning amplitude constant when the frequency changes. More precisely the amplitude regulation is obtained by detecting and regulating the "flyback" amplitude or EHT value.

The power supply is a step-up converter and it uses the "current-mode" regulation principle.

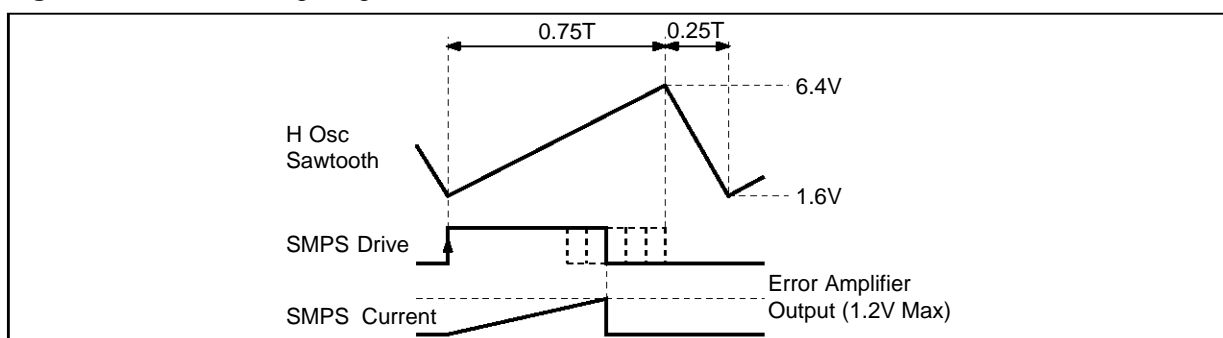
The power supply works in synchronism with the horizontal scanning. The switching power transistor (external to the TDA9103) is switched on at the beginning of the positive slope of the horizontal sawtooth. It is switched off as required by the integrated regulator. The current in the switching power transistor is monitored and limited, and the ratio  $T_{on}/T_{on}+T_{off}$  of the power transistor is limited to 75% typically providing a very good reliability to the power supply.

Figure 18 : SMPS Block Diagram



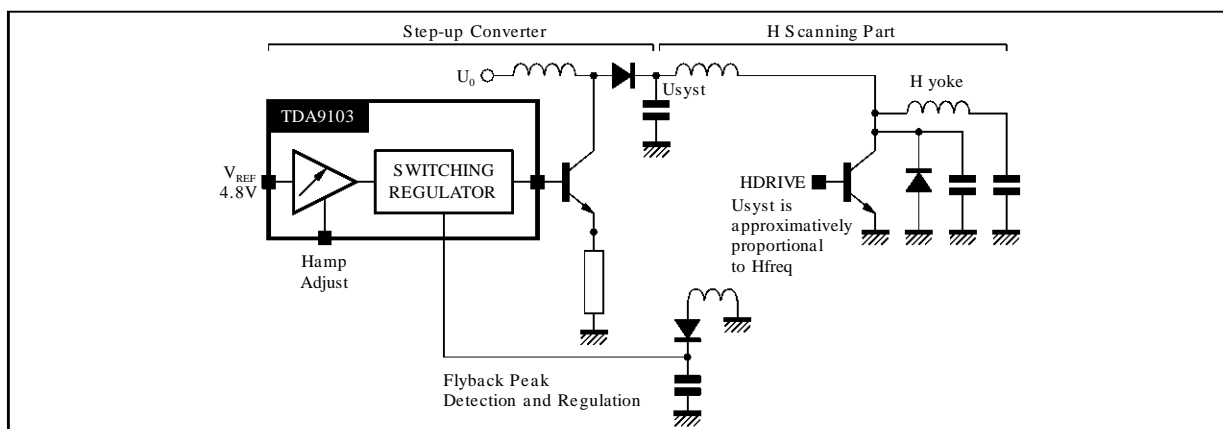
9103-18.A

Figure 19 : SMPS Timing Diagram



9103-19.A

Figure 20 : H Scanning Amplitude Regulation Example



9103-20.EPS

The following functions are implemented in the TDA9103 :

- A DC controlled variable gain amplifier allowing a variation of  $\pm 14\%$  of the voltage reference. This is used to set the horizontal image amplitude.
- An error amplifier, the non inverting input of which is connected to the above mentioned adjustable voltage reference. The inverting input and the output of the error

amplifier are externally accessible.

- A comparator which determines the conduction of the external transistor by comparing the output voltage of the error amplifier and the voltage applied on Pin 42 ( $I_{SENSE}$ ), which is the image of the current in the power transistor (current mode principle).
- A flip-flop which memorizes the on or off state of the power transistor.
- An output buffer stage (open collector).



**PARABOLA GENERATION FOR EAST-WEST CORRECTION** (see Figure 21)

Starting from the vertical ramp a parabola is generated for E/W correction.

The core of the parabola generator is an analog multiplier which generates a current in the form :

$$I = k (V_{RAMP} - V_{MID})^2$$

Where  $V_{RAMP}$  is the vertical ramp, typically comprised between 2 and 5V,  $V_{MID}$  is a DC voltage with a nominal value of 3.5V, but adjustable in the range 3.2V → 3.8V in order to generate a dissymmetric parabola if required (keystone adjustment).

The current is converted into voltage through a variable gain transresistance amplifier. The gain, controlled by the voltage on Pin 37 (E/W-AMP) can be adjusted in the ratio 3/1.

The parabola is available on Pin 36 by the way of an emitter follower which has to be biased by an external resistor (10kΩ). It must be AC coupled with external circuitry.

The typical parabola amplitude (AC), with the DC

control voltages  $V_{37}$  and  $V_{38}$  set to 4V, is 2V.

It is important to note that the parasitic parabola during the discharge of the vertical oscillator capacitor is suppressed.

**VERTICAL PART** (see Figure 22)

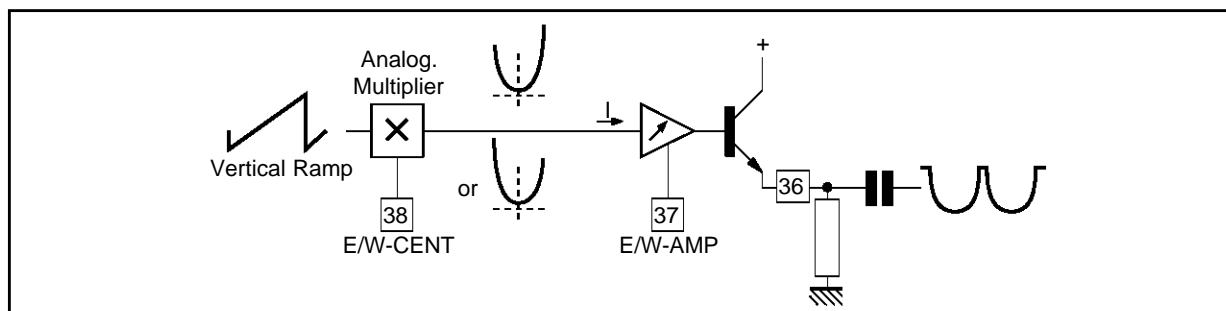
The vertical part generates a fixed amplitude ramp which can be affected by a S correction shape. Then, the amplitude of this ramp is adjusted to drive an external power stage.

The internal reference voltage used for the vertical part is available between Pin 26 and Pin 24. It can be used as voltage reference for any DC adjustment to keep a high accuracy to each adjustment. Its typical value is :

$$V_{26} = V_{REF} = 8V.$$

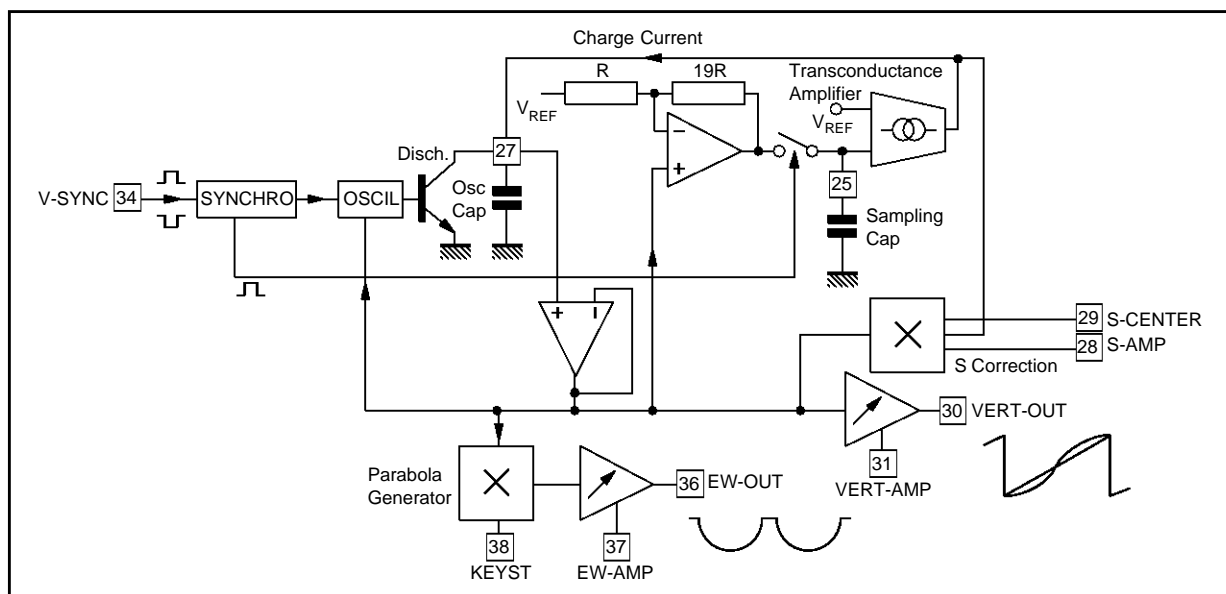
The charge of the external capacitor on Pin 27 ( $V_{CAP}$ ) generates a fixed amplitude ramp between the internal voltages,  $V_L$  ( $V_L = V_{REF}/4$ ) and  $V_H$  ( $V_H = 5/8 \cdot V_{REF}$ ).

**Figure 21 :** Parabola Generation Principle



9103-14.AI

**Figure 22 :** Vertical Part Block Diagram



9103-17.AI

## Function

When the synchronisation pulse is not present, an internal current source sets the free running frequency. For an external capacitor,  $C_{OSC} = 180\text{nF}$ , the typical free running frequency is 84Hz.

Typical free running frequency can be calculated by :

$$f_0 \text{ (Hz)} = 1.5 \cdot 10^{-5} \cdot \frac{1}{C_{OSC} \text{ (nF)}}$$

A negative or positive TTL level pulse applied on Pin 34 ( $V_{SYNC}$ ) can synchronise the ramp in the frequency range  $[f_{min}, f_{max}]$ . This frequency range depends on the external capacitor connected on Pin 27. A capacitor in the range  $[150\text{nF}, 220\text{nF}]$  is recommended for application in the following range : 50Hz to 120Hz.

Typical maximum and minimum frequency, at 25°C and without any correction (S correction or C correction), can be calculated by :

$$f_{max} = 2.5 \cdot f_0$$

$$f_{min} = 0.33 \cdot f_0$$

If S or C corrections are applied, these values are slightly affected.

If an external synchronisation pulse is applied, the internal oscillator is automatically caught but the amplitude is no more constant. An internal correction is activated to adjust it in less than half a second: the highest voltage of the ramp on Pin 27 is sampled on the sampling capacitor connected on Pin 25 ( $V_{AGCCAP}$ ) at each clock pulse and a transconductance amplifier generates the charge current of the capacitor. The ramp amplitude becomes again constant.

It is recommended to use a AGC capacitor with low leakage current. A value lower than 100nA is mandatory.

## DC Control Adjustments

Then, a S correction shape can be added to this ramp. This frequency independent S correction is generated internally; its amplitude is DC adjustable on Pin 28 ( $V_{SAMP}$ ) and it can be centered to generate C correction, according to the voltage applied on Pin 29 ( $V_{SCENT}$ ).

It is non effective for  $V_{SAMP}$  lower than  $V_{REF}/4$  and maximum for  $V_{SAMP} = 3/4 \cdot V_{REF}$ .

Endly, the amplitude of this S corrected ramp can be adjusted by the voltage applied on Pin 31 ( $V_{AMP}$ ). The adjusted ramp is available on Pin 30 ( $V_{OUT}$ ) to drive an external power stage. The gain of this stage is typically  $\pm 30\%$  when voltage applied on Pin 31 is in the range  $V_{REF}/4$  to  $3/4 \cdot V_{REF}$ . The DC value of this ramp is kept constant in the frequency range , for any correction applied on it. Its typical value is :

$$V_{DCOUT} = V_{MID} = 7/16 \cdot V_{REF}$$

A DC voltage is available on Pin 32 ( $V_{DCOUT}$ ). It is driven by the voltage applied on Pin 33 ( $V_{POS}$ ). For a voltage control range between  $V_{REF}/4$  and  $3/4 \cdot V_{REF}$ , the voltage available on Pin 32 is :

$$V_{DCOUT} = 7/16 \cdot V_{REF} \pm 300\text{mV}$$

So, the  $V_{DCOUT}$  voltage is correlated with DC value of  $V_{OUT}$ . It increases the accuracy when temperature varies.

## Basic Equations

In first approximation, the amplitude of the ramp on Pin 30 ( $V_{OUT}$ ) is :

$$V_{OUT} - V_{MID} = (V_{CAP} - V_{MID}) [1 + 0.16 \cdot (V_{AMP} - V_{REF}/2)]$$

with  $V_{MID} = 7/16 \cdot V_{REF}$  ; typically 3.5V

$V_{MID}$  is the middle value of the ramp on Pin 27

$V_{CAP} = V_{27}$  , ramp with fixed amplitude.

On Pin 32 ( $V_{DCOUT}$ ), the voltage (in volts) is calculated by :

$$V_{DCOUT} = V_{MID} + 0.16 \cdot (V_{POS} - V_{REF}/2)$$

$V_{POS}$  is the voltage applied on Pin 33.

The center of the S correction can be approximately calculated according to the voltage applied on Pin 29 ( $V_{SCENT}$ ) :

$$V_{CENTER} = V_{MID} + 0.25 \cdot (V_{SCENT} - V_{REF}/2)$$

This is an internal voltage used to adjust the C correction. The S correction can be adjusted along the ramp according to this parameter. It is ineffective when  $V_{SAMP}$  is lower than  $V_{REF}/4$ .

The current available on Pin 27

(when  $V_{SAMP} = V_{REF}/4$ ) is :

$$I_{OSC} = 3/8 \cdot V_{REF} \cdot C_{OSC} \cdot f$$

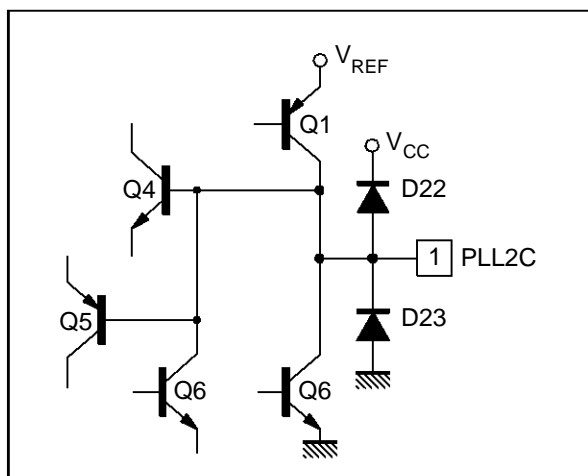
$C_{OSC}$  : capacitor connected on Pin 27

f synchronisation frequency

The recommended capacitor value on Pin 25 ( $V_{AGC}$ ) is 470nF. Its assumes a good stability of the internal closed loop.

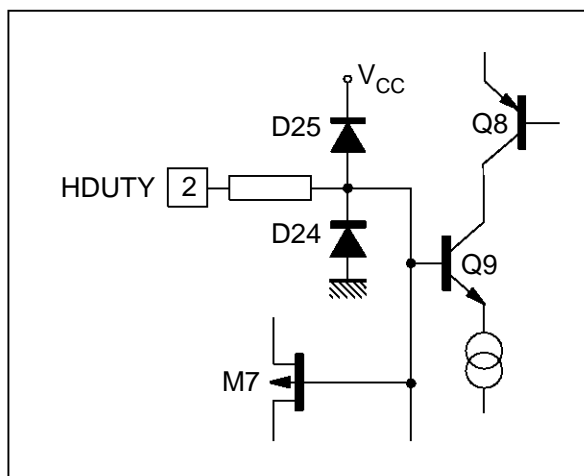
INTERNAL SCHEMATICS

Figure 23



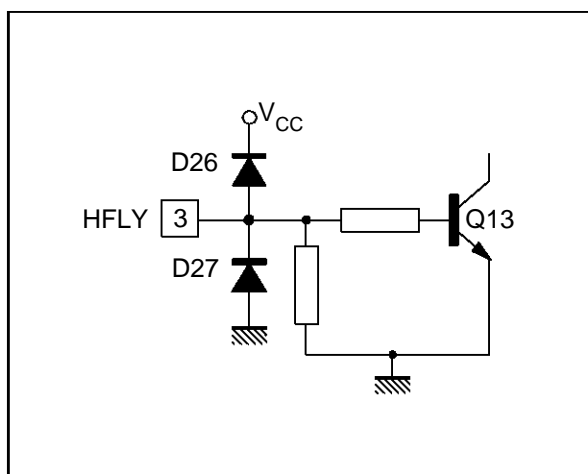
9103-22.AI

Figure 24



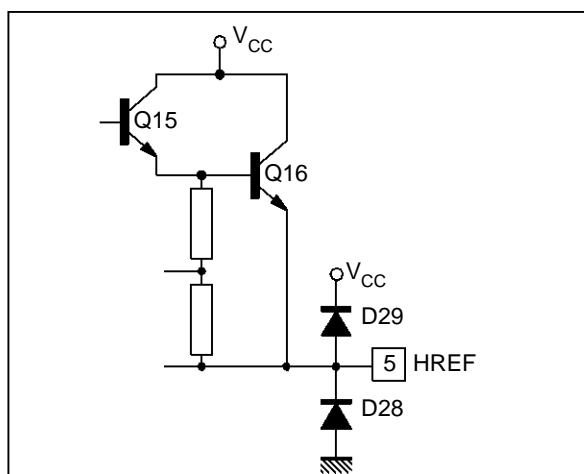
9103-23.AI

Figure 25



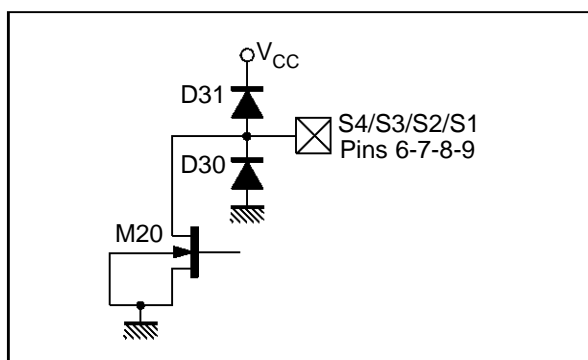
9103-24.AI

Figure 26



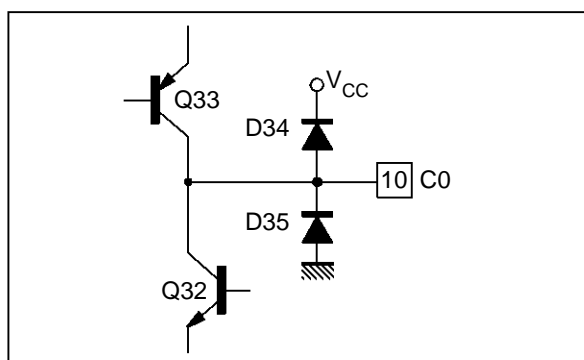
9103-25.AI

Figure 27



9103-26.AI

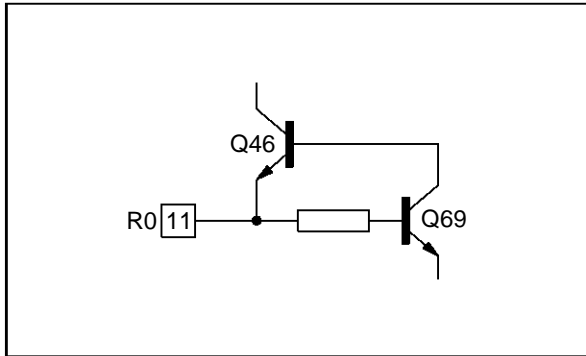
Figure 28



9103-27.AI

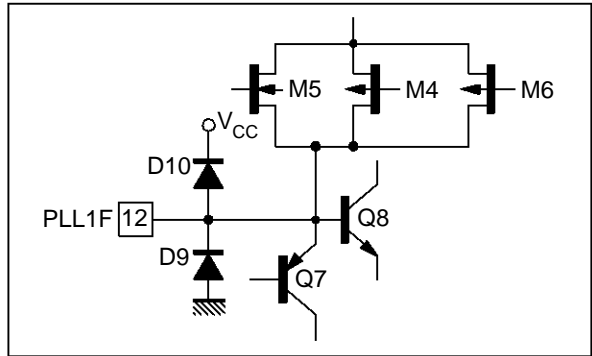
INTERNAL SCHEMATICS (continued)

Figure 29



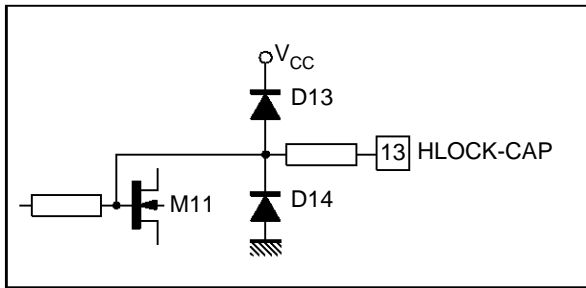
9103-28.AI

Figure 30



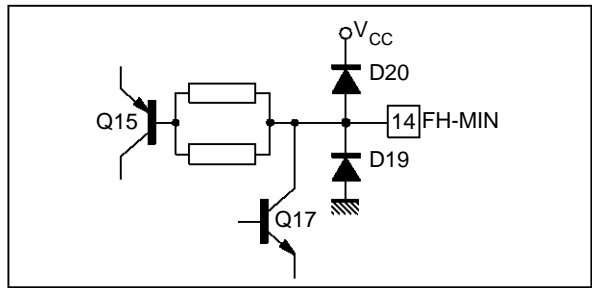
9103-29.AI

Figure 31



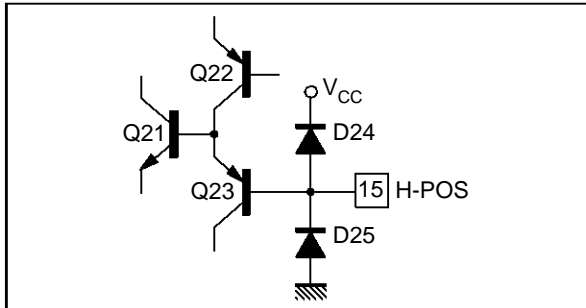
9103-30.AI

Figure 32



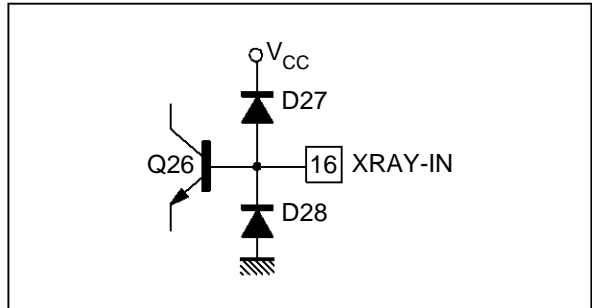
9103-31.AI

Figure 33



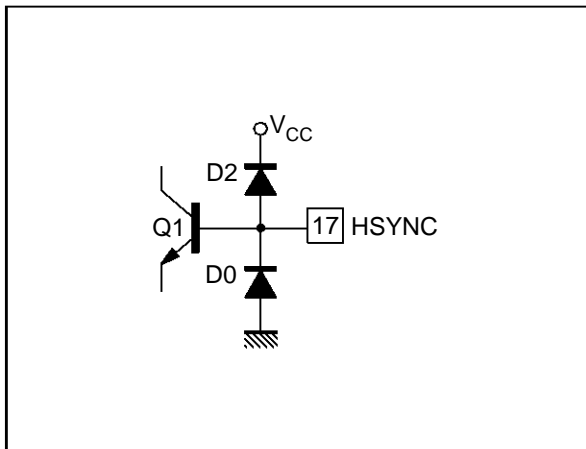
9103-32.AI

Figure 34



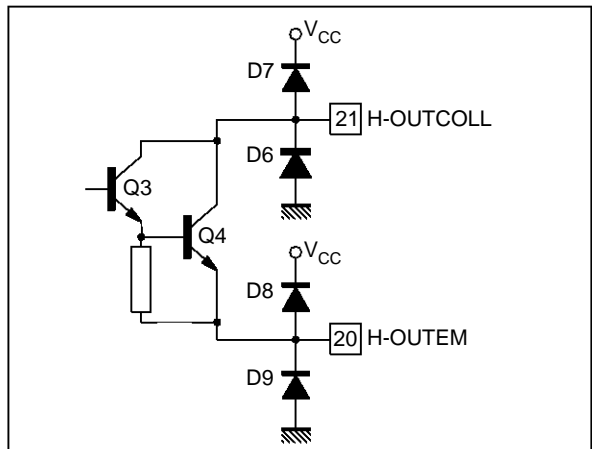
9103-33.AI

Figure 35



9103-34.AI

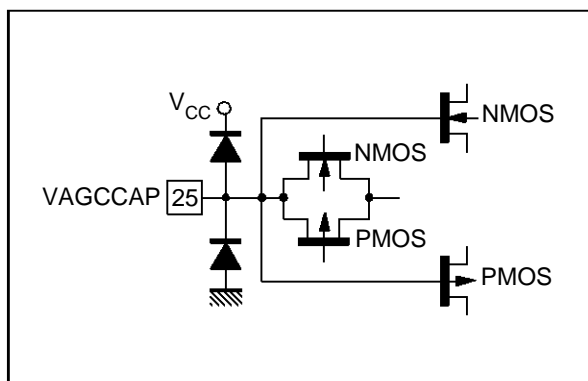
Figure 36



9103-35.AI

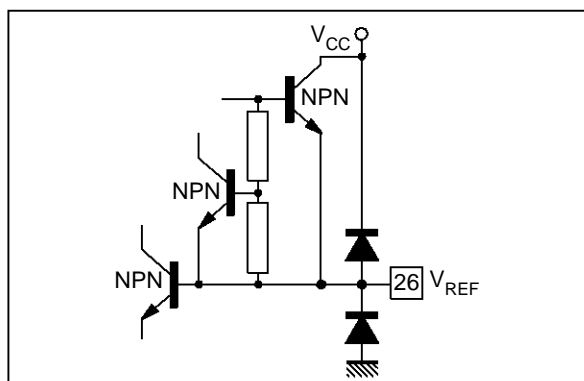
INTERNAL SCHEMATICS (continued)

Figure 37



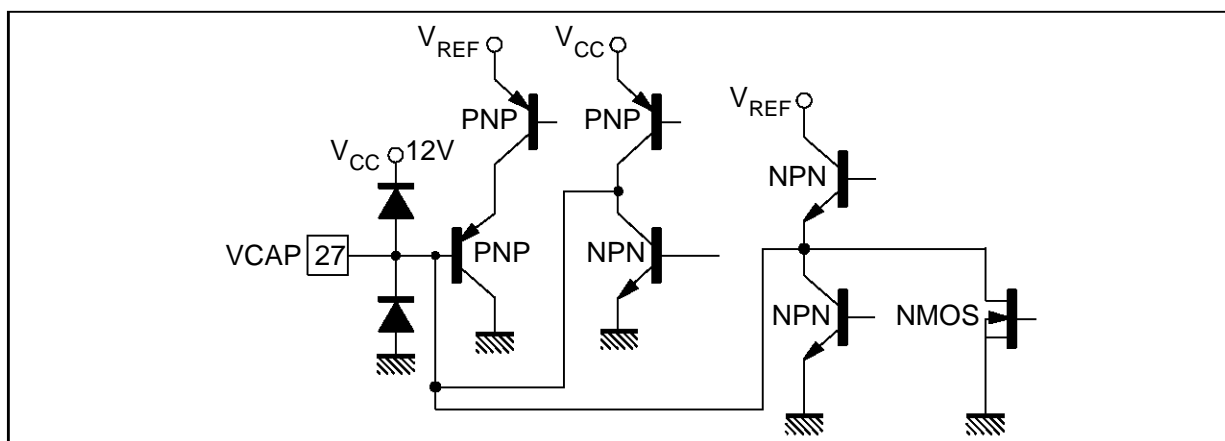
9103-36.A1

Figure 38



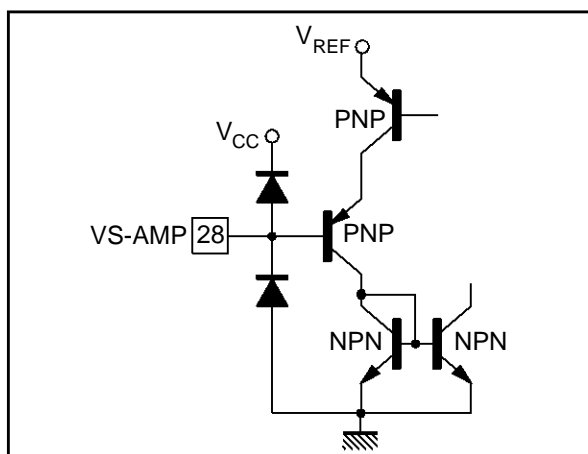
9103-37.A1

Figure 39



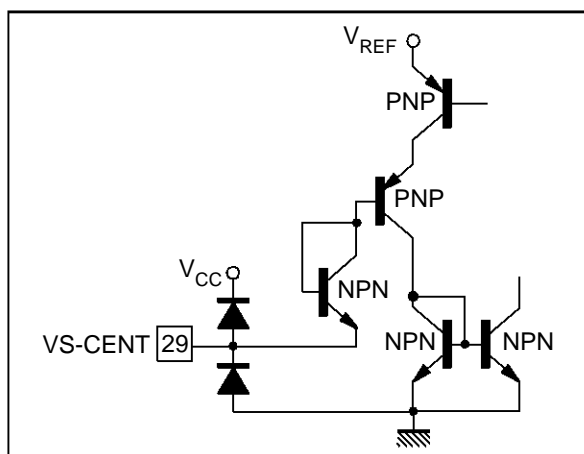
9103-38.A1

Figure 40



9103-39.A1

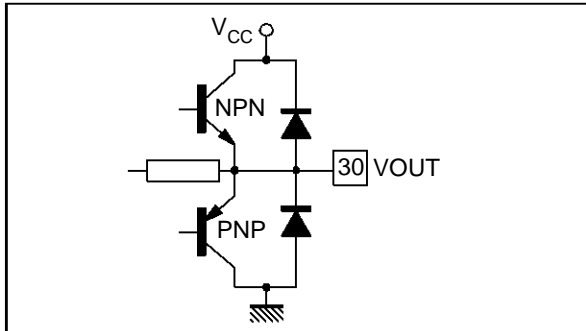
Figure 41



9103-40.A1

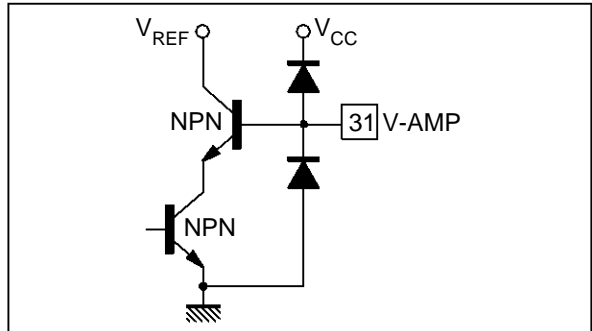
INTERNAL SCHEMATICS (continued)

Figure 42



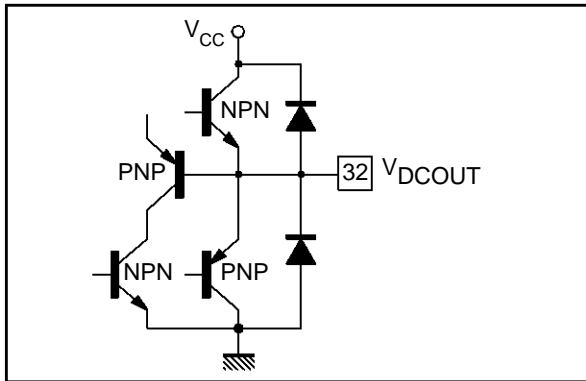
9103-41.AI

Figure 43



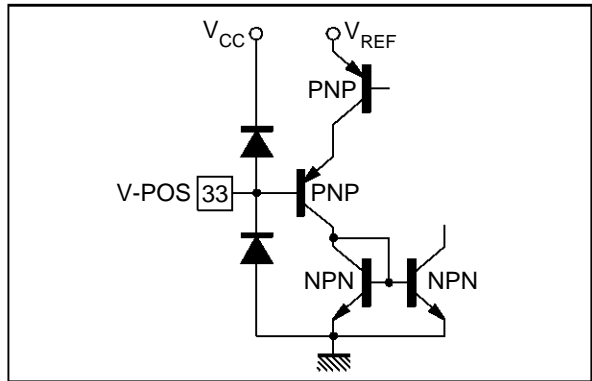
9103-42.AI

Figure 44



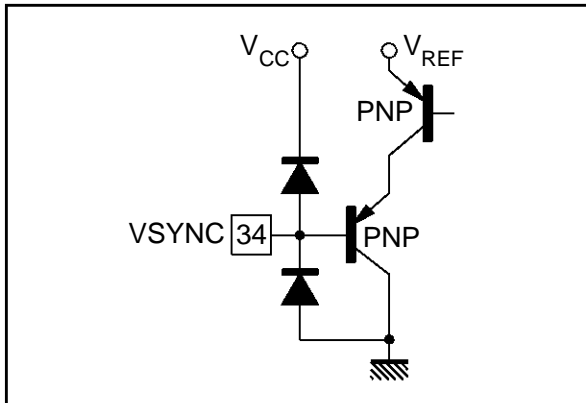
9103-43.AI

Figure 45



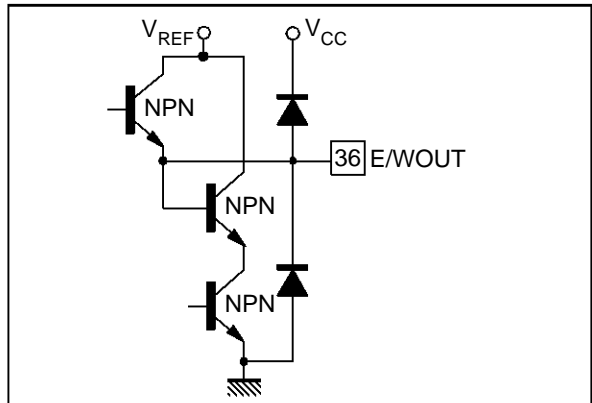
9103-44.AI

Figure 46



9103-45.AI

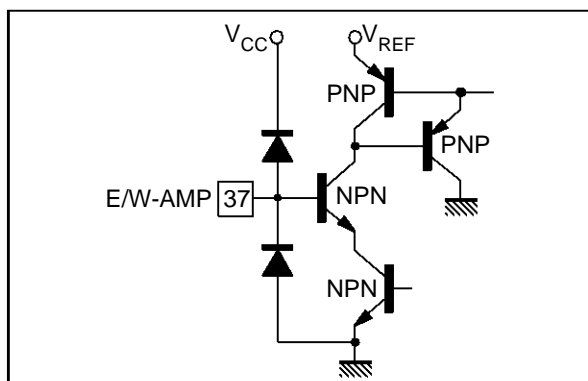
Figure 47



9103-46.AI

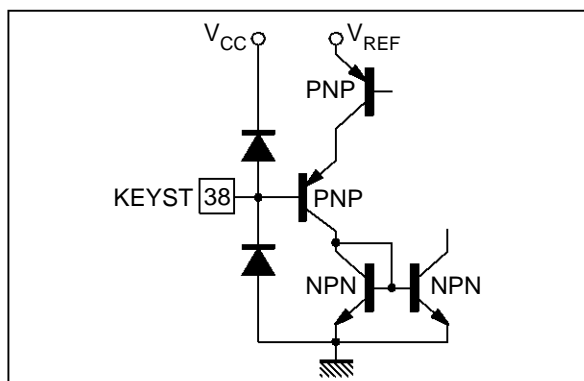
INTERNAL SCHEMATICS (continued)

Figure 48



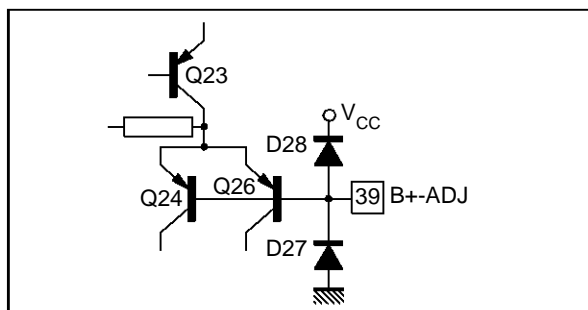
9103-47.AI

Figure 49



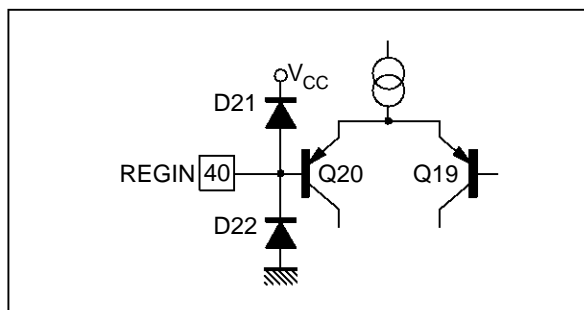
9103-48.AI

Figure 50



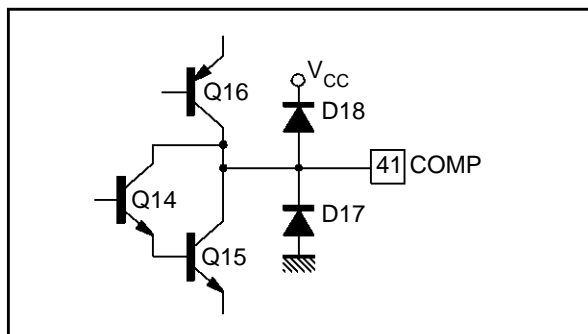
9103-49.AI

Figure 51



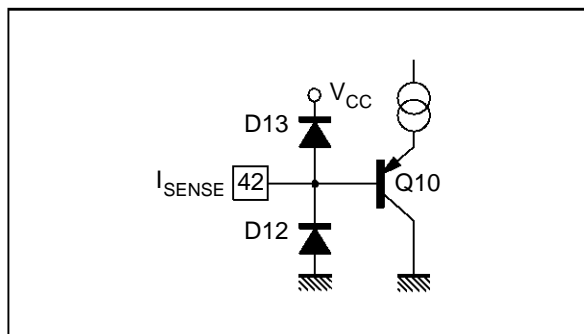
9103-50.AI

Figure 52



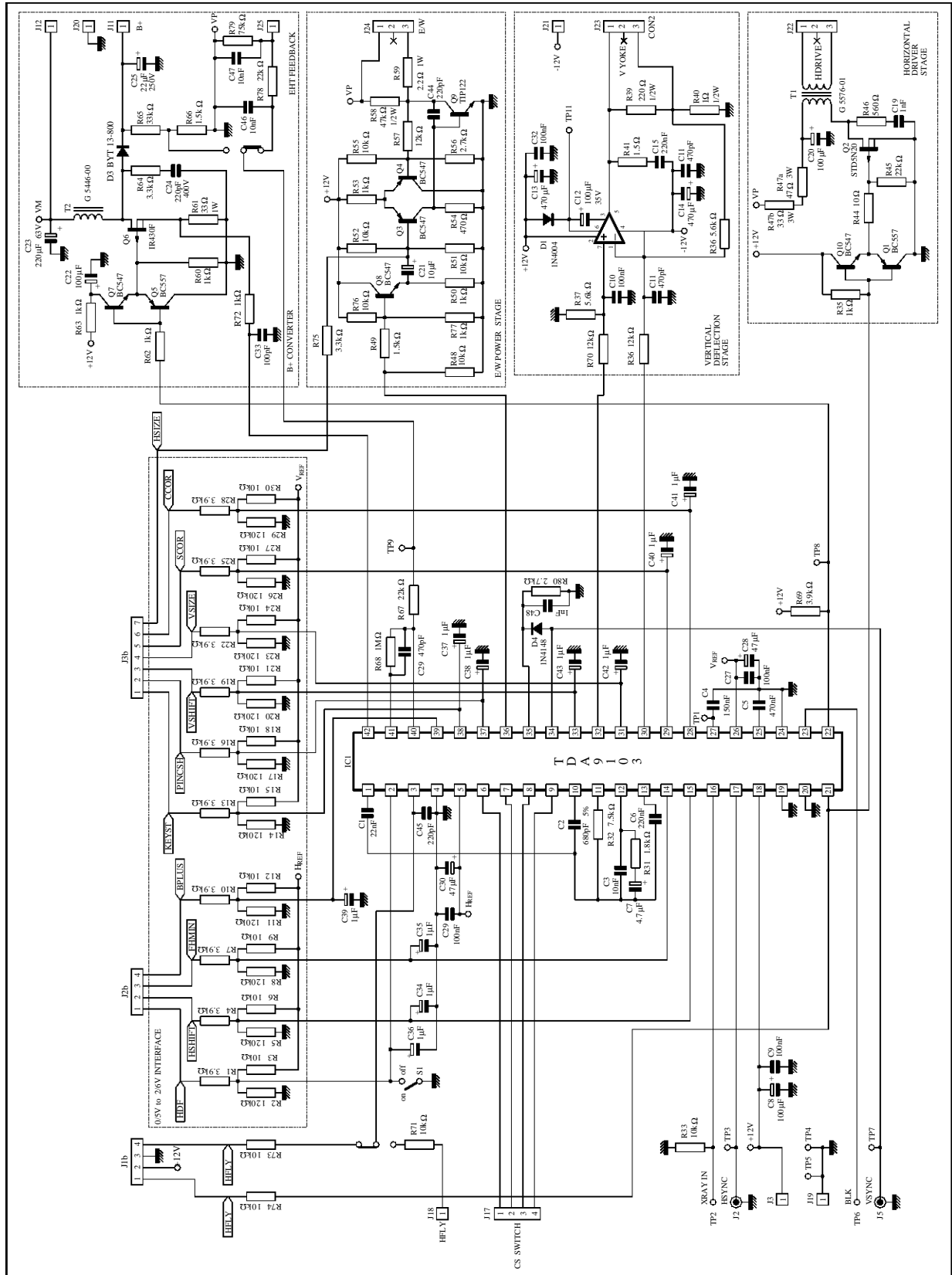
9103-51.AI

Figure 53



9103-52.AI

APPLICATION DIAGRAM



9103-53.EPS



A demonstration board has been developed by SGS-THOMSON and is available through your usual SGS-THOMSON office.

This board has been designed in order to give first the possibility to evaluate the TDA9103 in STAND ALONE, and then to be easily connected to an existing monitor.

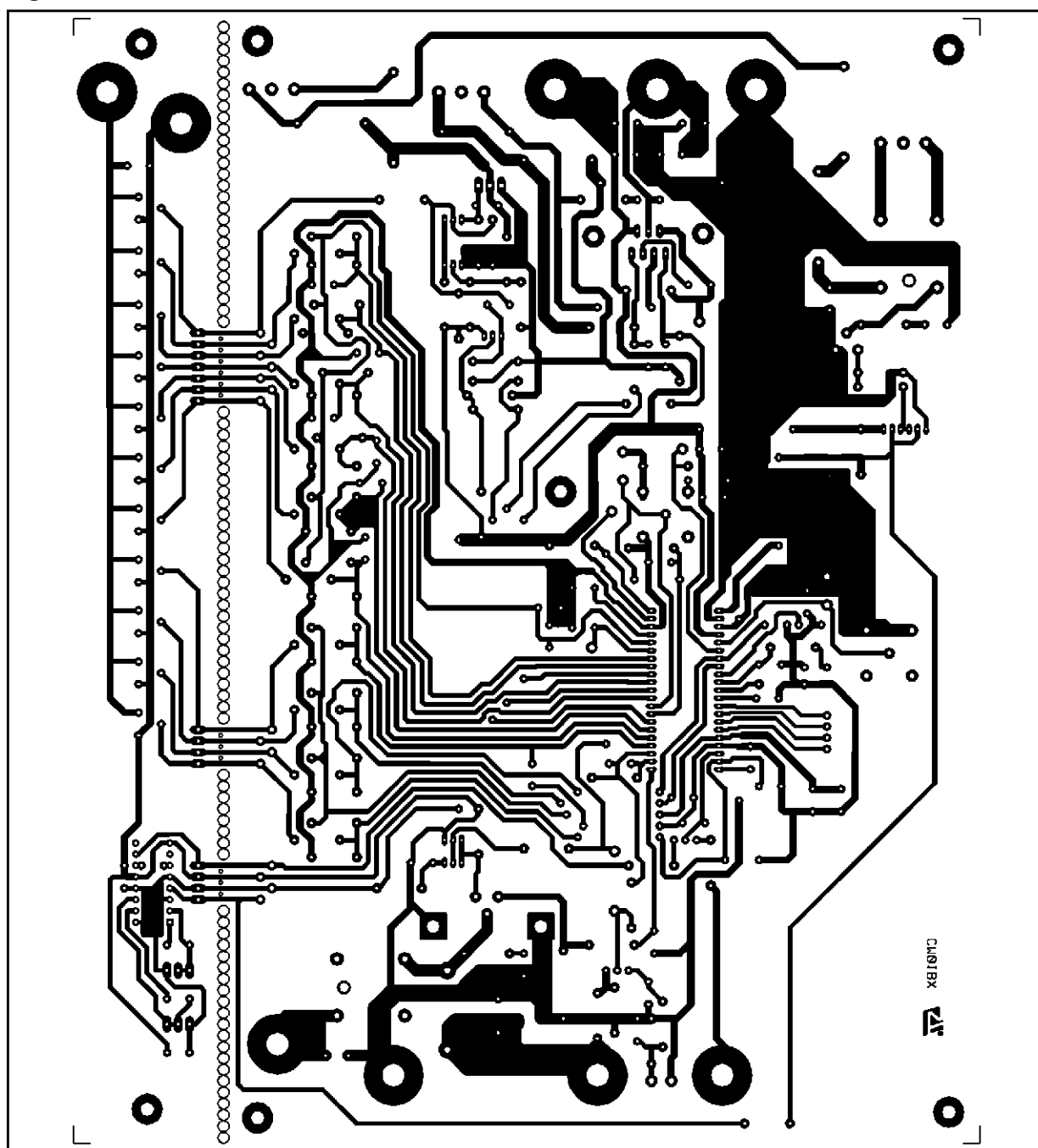
In stand alone evaluation, for exemple, flyback simulator is implemented in order to be able to

close the 2nd PLL loop, potentiometers are also present to easily adjust all functions.

Then for testing in a real application, the upper part of the board can be detached and the remaining part can be connected to real application.

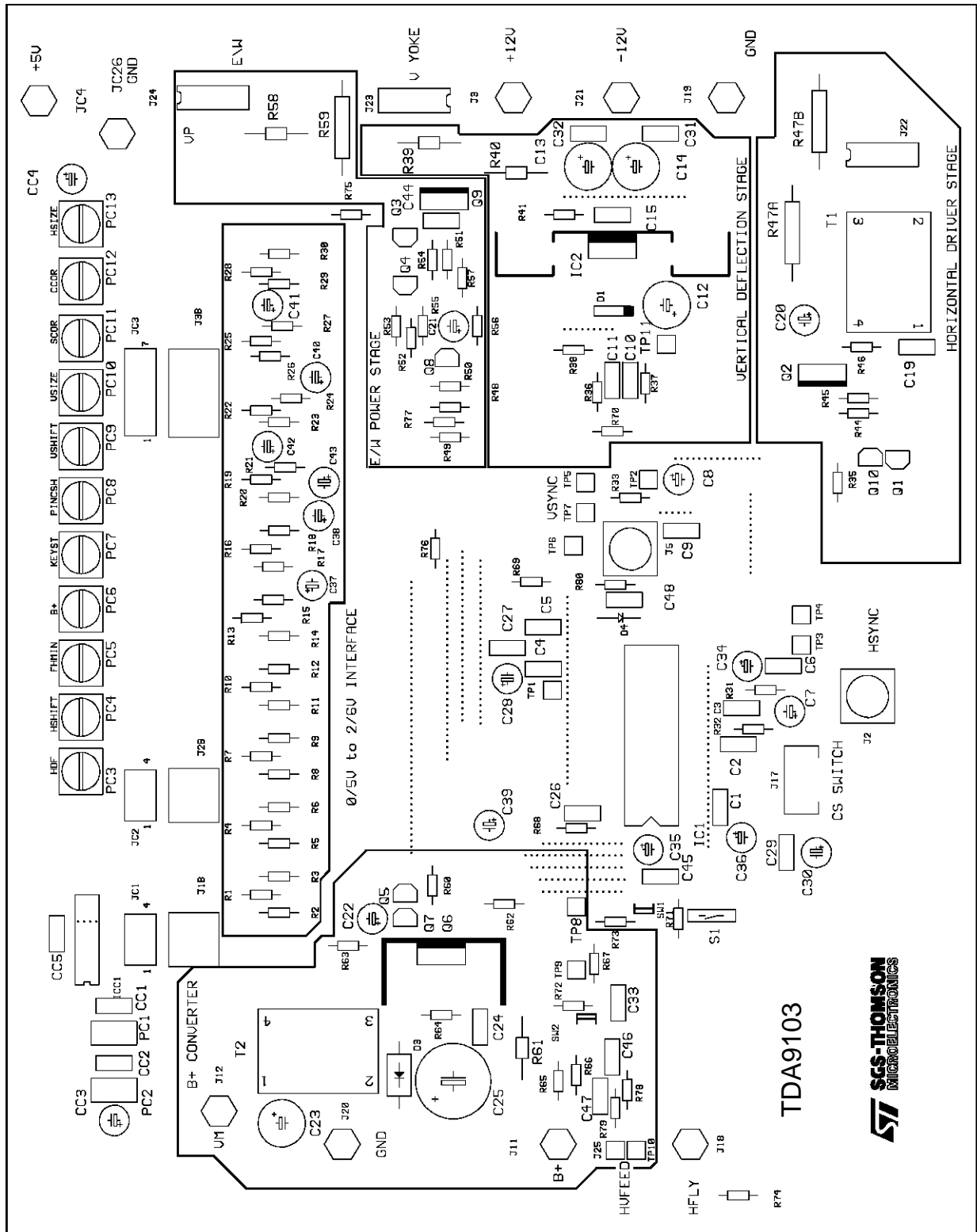
In addition to this, the application board has been voluntary designed separating clearly all the blocks. This led to quite large PCB but give much more space for measuring anything on the board.

Figure 54



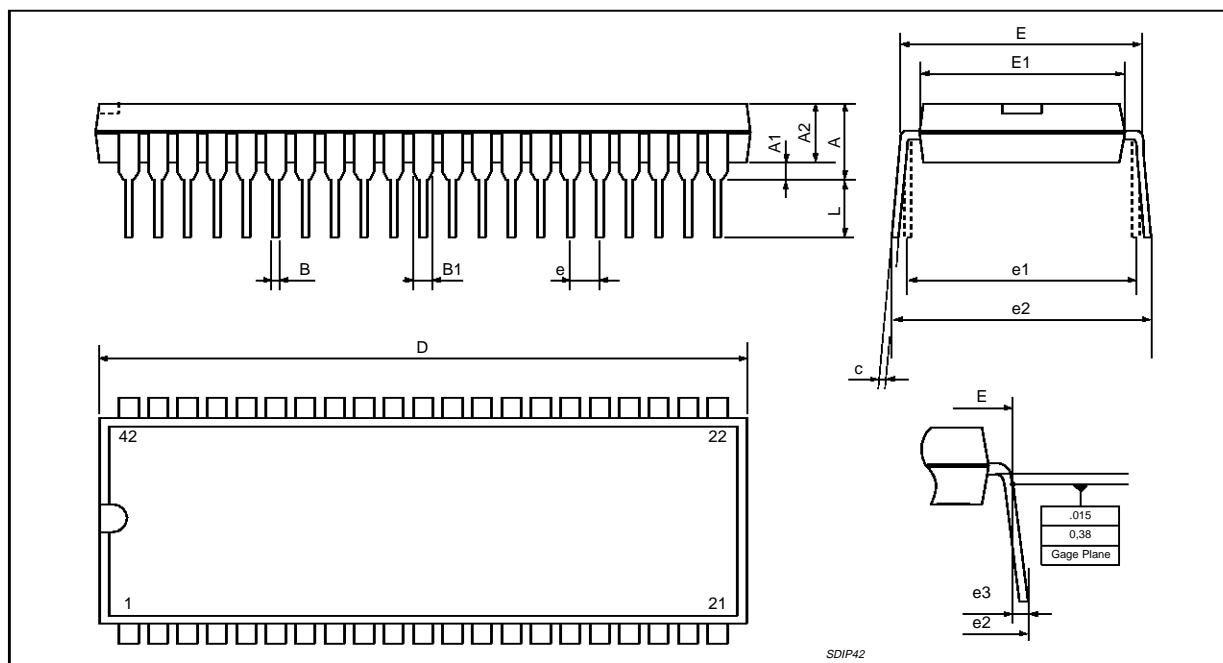
9103-60.TIF

Figure 55



TDA9103



**PACKAGE MECHANICAL DATA**  
 42 PINS - PLASTIC PACKAGE


Dimensions	Millimeters			Inches		
	Min.	Typ.	Max.	Min.	Typ.	Max.
A			5.08			0.200
A1	0.51			0.020		
A2	3.05	3.81	4.57	0.120	0.150	0.180
B	0.36	0.46	0.56	0.0142	0.0181	0.0220
B1	0.76	1.02	1.14	0.030	0.040	0.045
c	0.23	0.25	0.38	0.0090	0.0098	0.0150
D	37.85	38.10	38.35	1.490	1.5	1.510
E	15.24		16.00	0.60		0.629
E1	12.70	13.72	14.48	0.50	0.540	0.570
e		1.778			0.070	
e1		15.24			0.60	
e2			18.54			0.730
e3			1.52			0.060
L	2.54	3.30	3.56	0.10	0.130	0.140

SDIP42.TBL

Information furnished is believed to be accurate and reliable. However, SGS-THOMSON Microelectronics assumes no responsibility for the consequences of use of such information nor for any infringement of patents or other rights of third parties which may result from its use. No licence is granted by implication or otherwise under any patent or patent rights of SGS-THOMSON Microelectronics. Specifications mentioned in this publication are subject to change without notice. This publication supersedes and replaces all information previously supplied. SGS-THOMSON Microelectronics products are not authorized for use as critical components in life support devices or systems without express written approval of SGS-THOMSON Microelectronics.

© 1996 SGS-THOMSON Microelectronics - All Rights Reserved

Purchase of  $\text{I}^2\text{C}$  Components of SGS-THOMSON Microelectronics, conveys a license under the Philips  $\text{I}^2\text{C}$  Patent. Rights to use these components in a  $\text{I}^2\text{C}$  system, is granted provided that the system conforms to the  $\text{I}^2\text{C}$  Standard Specifications as defined by Philips.

SGS-THOMSON Microelectronics GROUP OF COMPANIES

Australia - Brazil - Canada - China - France - Germany - Hong Kong - Italy - Japan - Korea - Malaysia - Malta - Morocco  
The Netherlands - Singapore - Spain - Sweden - Switzerland - Taiwan - Thailand - United Kingdom - U.S.A.