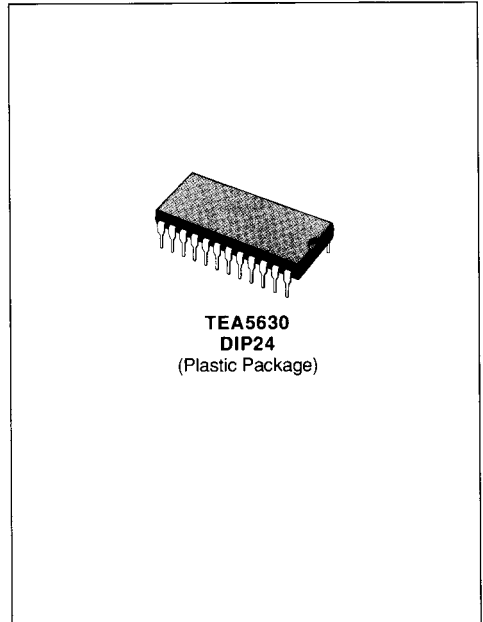




COLOR TV SECAM DECODER FOR LOW-COST TV SETS

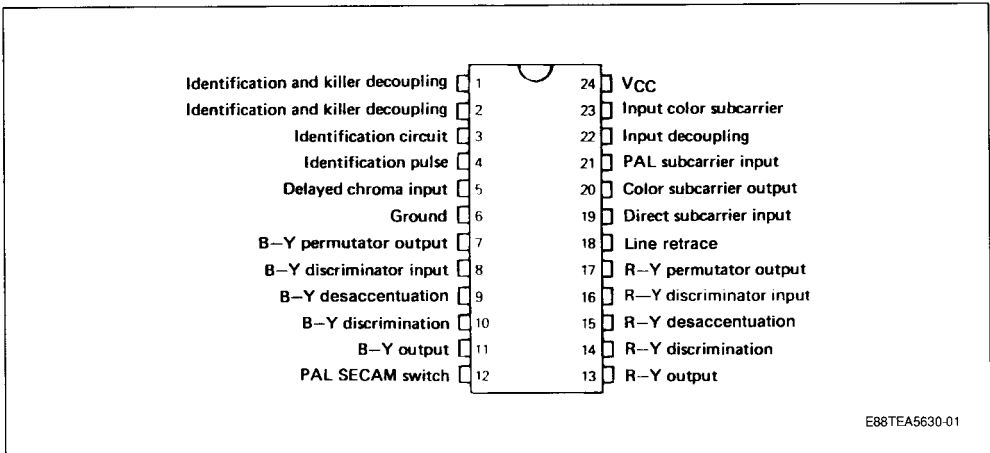
- SUBCARRIER LIMITER
- R - Y } DEMODULATORS
- B - Y }
- IDENTIFICATION AND KILLER
- PAL-SECAM SWITCHES FOR MULTISTANDARD APPLICATION.



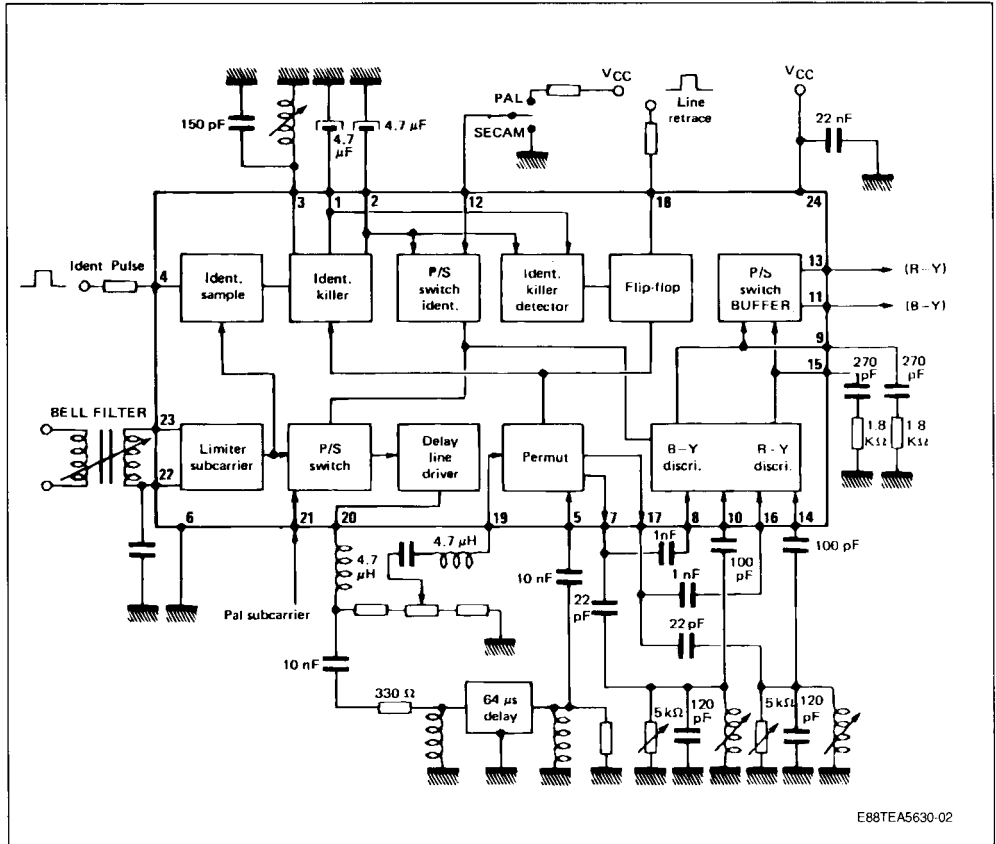
DESCRIPTION

The TEA5630 is a complete color TV secam decoder which has PAL-SECAM switches for Multistandard application (in association with the TEA5620).

PIN CONNECTIONS



BLOCK DIAGRAM



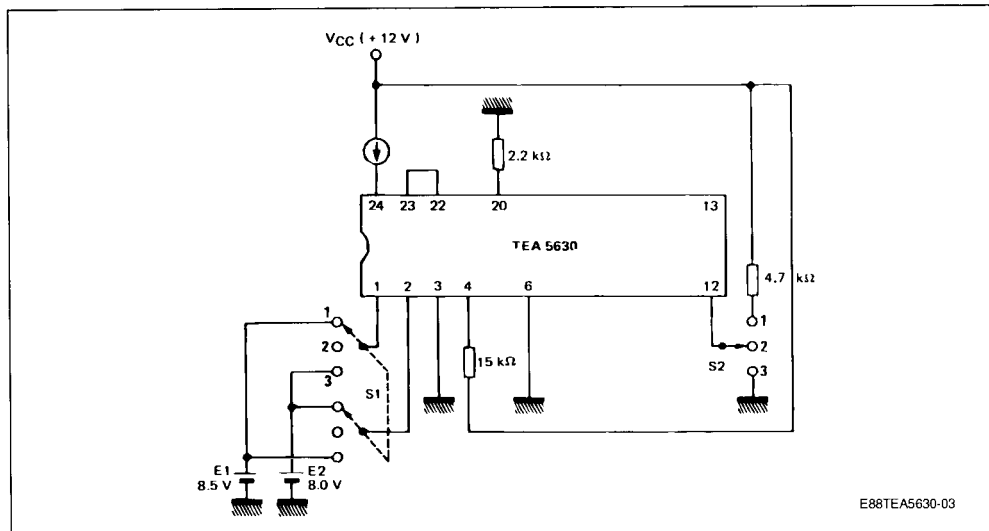
ABSOLUTE MAXIMUM RATINGS

Symbol	Parameter	Value	Unit
V_{CC}	Supply Voltage	14.4	V
P_{tot}	Power Dissipation	760	mW
T_{oper}	Operating Ambient Temperature	0 to 70	°C
T_{stg}	Storage Temperature	- 55 to 150	°C

THERMAL DATA

$R_{th(j-a)}$	Junction-ambient Thermal Resistance	60	°C/W
---------------	-------------------------------------	----	------

TEST CIRCUIT 1



DC ELECTRICAL CHARACTERISTICS

$T_{amb} = +25\text{ }^{\circ}\text{C}$ $V_{CC} = 12\text{ V}$ (unless otherwise specified)

TEST CIRCUIT 1

Parameter		Switch State		Min.	Typ.	Max.	Unit
		S1	S2				
Operating Supply Voltage	Pin 24	2	2	9.6	12	13	V
Supply Current	Pin 24	2	2	20	30	40	mA
DC Voltage at :							
	Pin 1, Pin 2	2	3	4.8	5.7	6.4	V
	Pin 5, Pin 19	2	3	1.8	2.4	3	V
	Pin 7, Pin 17	2	3	10.6	11.2	11.8	V
	Pin 8, Pin 16	2	3	4.7	5.4	6.1	V
	Pin 9, Pin 15	2	3	6.3	7.2	8	V
	Pin 10, Pin 14	2	3	2.5	3.3	4	V
	Pin 11, Pin 13	2	3	6.8	8	9	V
	Pin 20	2	3	6.8	7.9	9	V
	Pin 21	2	3	2.6	3.3	4	V
	Pin 22	2	3	2.3	3	3.7	V
	Pin 9, Pin 15	2	1	11.7	11.9		V
	Pin 11, Pin 13	2	1	11.7	11.9		V
	Pin 12	2	2	0.85	1.1	1.3	V
	Pin 12	1	2	0	0.1	0.2	V
	Pin 12	3	2	0	0.1	0.2	V

AC ELECTRICAL CHARACTERISTICS

$T_{amb} = + 25^{\circ}\text{C}$, $V_{CC} = 12\text{V}$ (unless otherwise specified)

TEST CIRCUIT 2

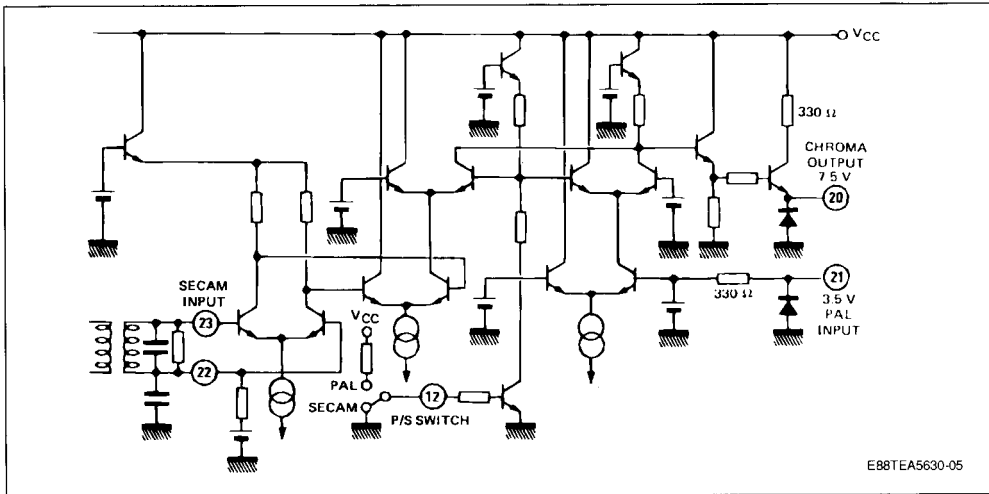
Symbol	Parameter		Min.	Typ.	Max.	Unit
Elim-1	Limiter Amplifier Output Voltage ($V_i = 100 \text{ mVpp}$)	Pin 20	1.7	2.2	2.7	Vpp
Elim-2	Limiter Amplifier Output Voltage ($V_i = -30 \text{ dB} = 3.2 \text{ mVpp}$)	Pin 20	0.6	1.4	2.4	Vpp
AvPAL	PAL Amplifier Gain : VO (pin 20)/ V_i (pin 21) ($V_i = 300 \text{ mVpp}$)		0.95	1.1	1.3	
	Permutator Output ($V_{19} = V_5 = 400 \text{ mVpp}$)	Pin 7-Pin 17		1.4		Vpp
	Permutator Input Impedance	Pin 19-Pin 5		2.5		k Ω
CT1	Permutator Crosstalk (S7 = position 2)			- 60		dB
ED1 _{BY}	B-Y Output Voltage (colour bar signal generator 75 %)	Pin 11	0.6	1	1.3	Vpp
ED1 _{RY}	R-Y Output Voltage (colour bar signal generator 75 %)	Pin 13	0.7	1.2	1.6	Vpp
R_o	output Voltage Ratio R-Y/B-Y (colour bar signal generator 75 %)		0.95	1.2	1.5	
ED2 _{BY}	B-Y Output Voltage (colour bar signal generator 75 %, - 16 dB)	Pin 11	0.6	1	1.3	Vpp
ED2 _{RY}	R-Y Output Voltage (colour bar signal generator 75 %, - 16 dB)	Pin 13	0.7	1.2	1.6	Vpp
	PAL/SECAM Switch Threshold	Pin 12		1.1		V
V12R1	Input Level Attenuation for PAL/SECAM switching - Measure on Pin 12 (colour bar generator 75 %, - 40 dB)		0.9	1.05	1.2	V
V12R2	Input Level Attenuation for NO PAL/SECAM Switching - Measure on Pin 12 (colour bar generator 75 %, - 18 dB)				0.2	V
PRS1	PAL/SECAM Switching Crosstalk (SECAM mode - PAL input signal pin 21 : 300 mVpp)			- 33		dB
PRS2	PAL/SECAM Switching Crosstalk (PAL mode - SECAM input signal pins 23-22 : 5 mVpp)			- 50		dB
FF	Line retrace Threshold	Pin 18	0.85	1	1.07	V
	Identification Sampling Pulse Threshold	Pin 4		0.8		V

GENERAL DESCRIPTION

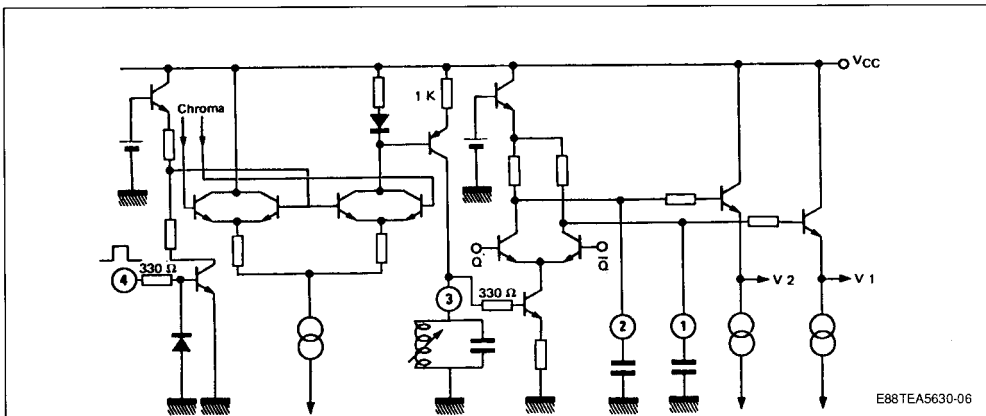
LIMITER AND CHROMA PAL/SECAM SWITCHING

The chroma signal is applied to the input of a limiter stage. After limitation the output signal is sent to an electronic switch which selects the signal coming from the limiter (for SECAM) or from the PAL input (Pin 21). The high output voltage of chrominance signal, $2.2 V_{pp}$ in SECAM operation, permits to obtain a minimum of crosstalk in the permutation and discrimination. The DC output voltage of the PAL IC connected in parallel for PAL/SECAM must be higher than $V_{CC} - 5 V$.

LIMITER AND CHROMA PAL/SECAM SWITCH.



IDENTIFICATION AND KILLER.



IDENTIFICATION AND KILLER

The identification information is sampled during the identification pulse (pin 4). The burst differential amplitude voltage on the according circuit pin 3 is amplified and held by capacitors pin 2 and pin 1 to give the right flip-flop phase and killer information.

The circuit is able to identify line by line or line and frame. The choice of identification mode is programmable by the user depending on the identification pulse pin 4.

PERMUTATOR

Two inputs on the permutator :

- the direct signal is sent on pin 19,
- the delayed signal is sent on pin 5.

The permutator is controlled by a flip-flop at H/2 frequency in order to have (R - Y) signal on pin 17 and (B - Y) signal on pin 7. The output chroma signal typical value is 1.4 V.

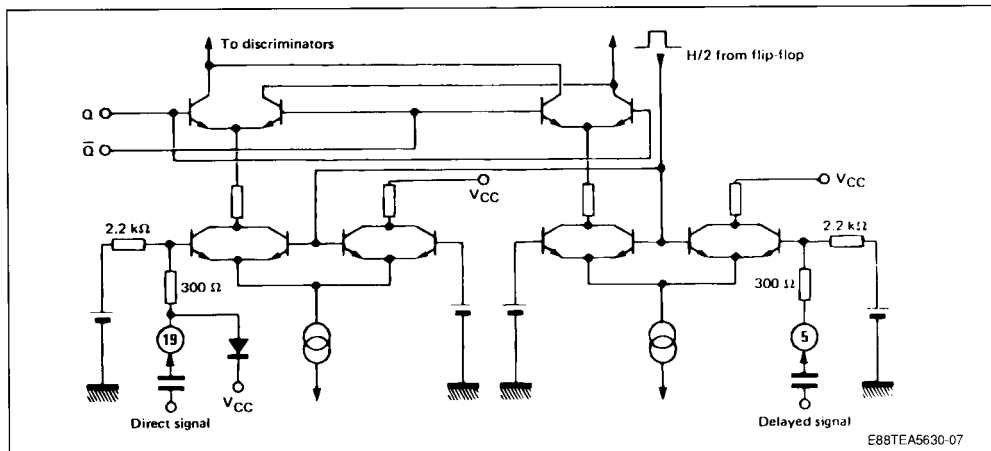
DISCRIMINATORS

They use coincidence detectors with external according circuit L-C. The (R - Y) and (B - Y) demodulated signal amplitude and linearity can be adjusted by the choice of the damping resistor value in parallel with the L-C circuit. The desaccenuation circuit is connected on the load of the coincidence detection.

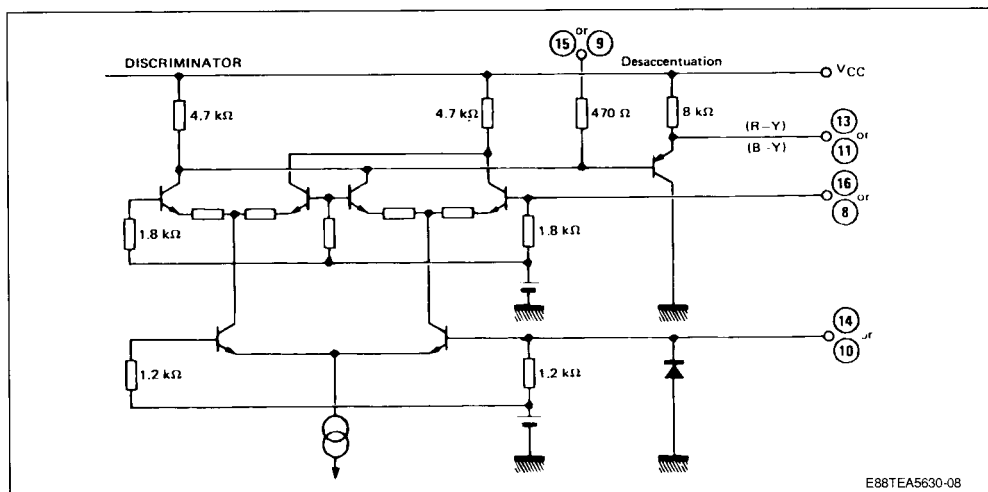
Two PNP emitter followers provide the (R - Y) and (B - Y) signals at low impedance output.

In PAL operating the output impedance is equivalent to a 8 K Ω resistance between output and V_{CC}.

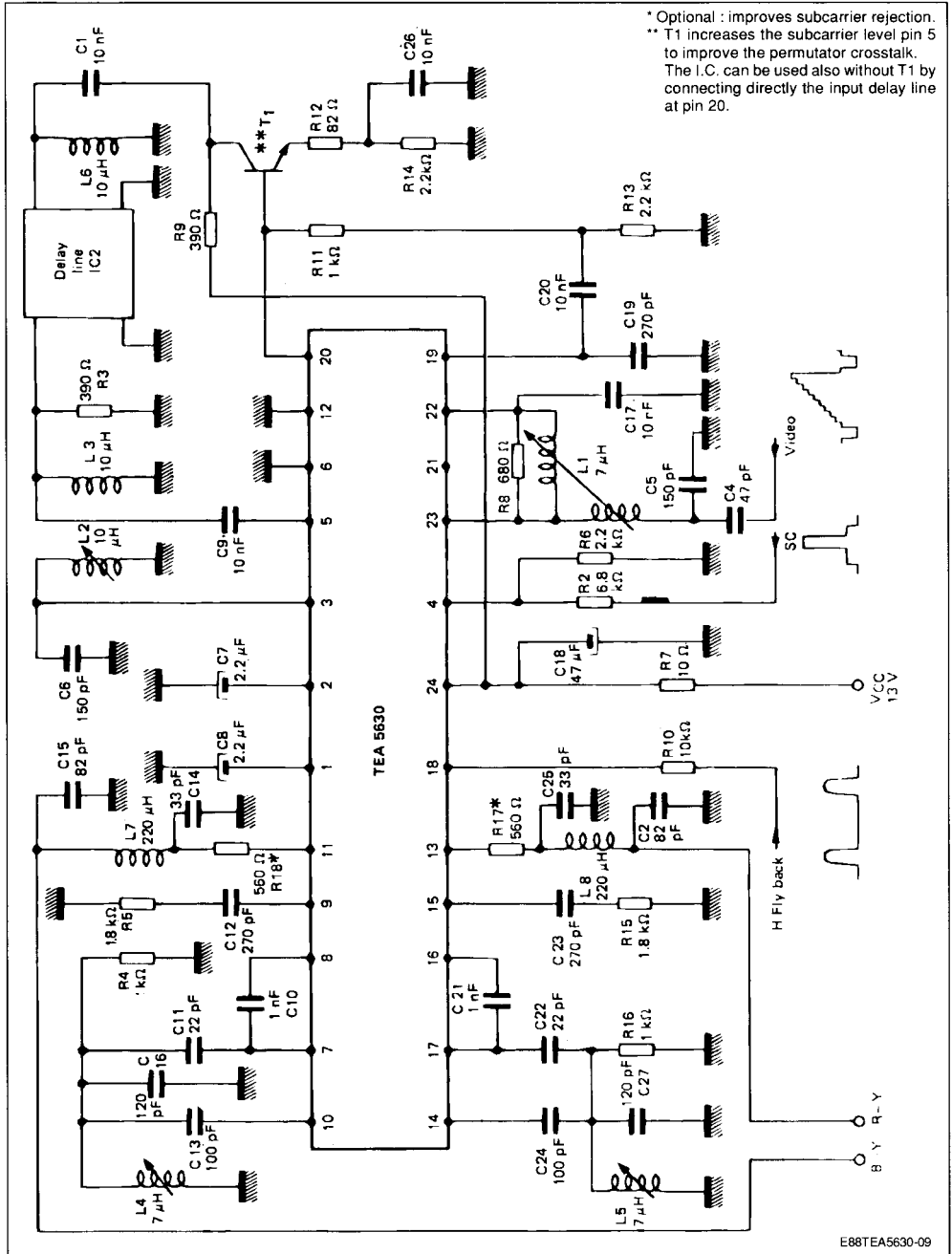
PERMUTATOR.



DISCRIMINATORS.

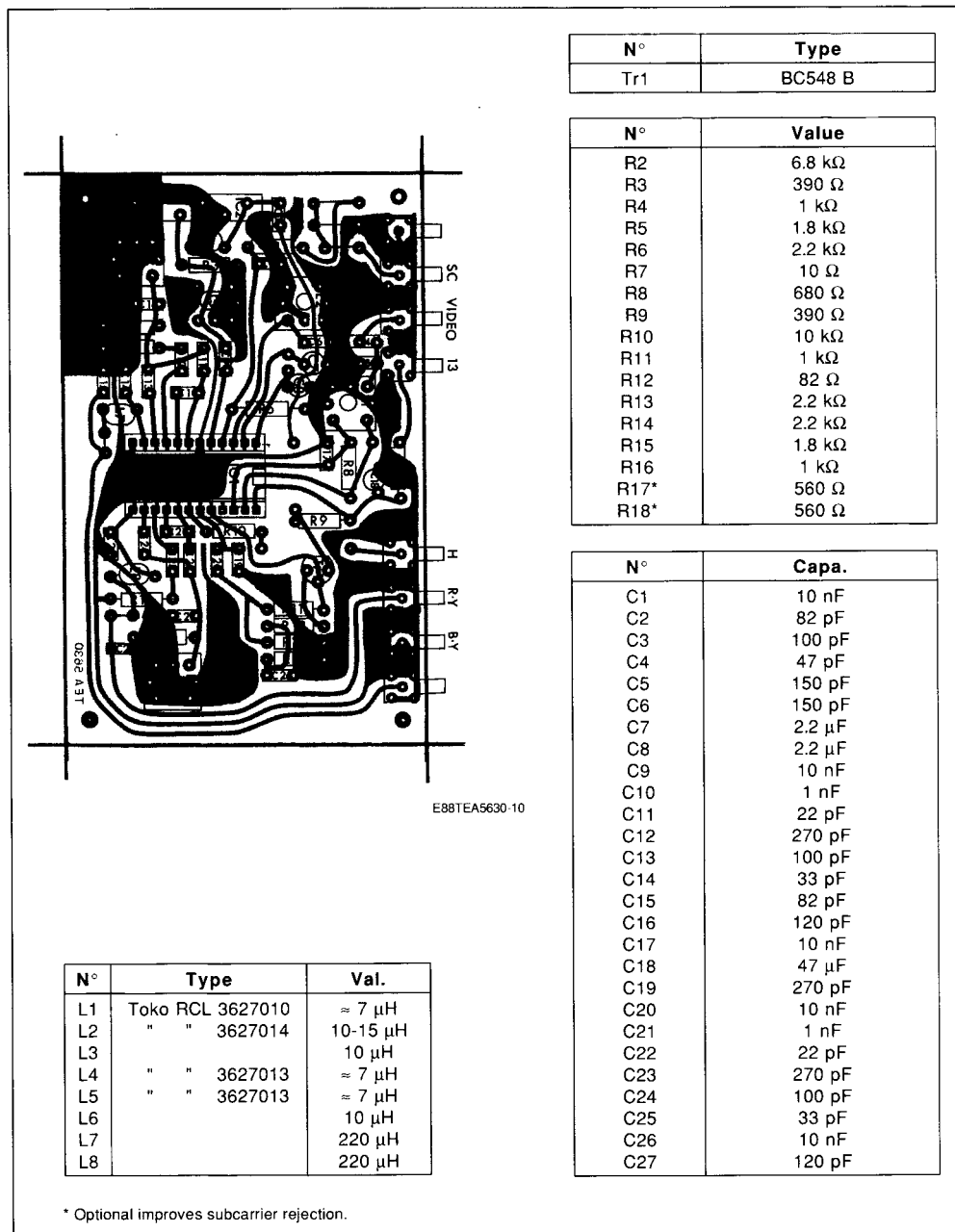


TYPICAL APPLICATION



P.C. BOARD AND COMPONENT LAYOUT (for secam decoder)

COMPONENT SIDE



PACKAGE MECHANICAL DATA

24 PINS – PLASTIC DIP

