

Description

The μ PD80C35, μ PD80C48, and μ PD48 are true stand-alone 8-bit microcomputers fabricated using CMOS technology. All of the functional blocks necessary for an integrated microcomputer are incorporated, including a 1K-byte ROM (μ PD80C48 only), a 64-byte RAM, 27 I/O lines, an 8-bit timer/event counter, and a clock generator. This integrated capability permits use in stand-alone applications. For designs requiring extra capability, the μ PD80C35/ μ PD80C48 can be expanded using peripherals and is memory compatible with industry-standard 8080A/8085A processors.

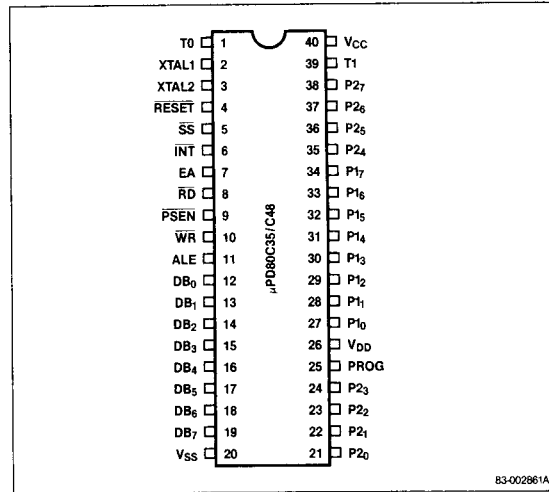
Providing compatibility with industry-standard 8048, 8748, and 8035 processors, the μ PD80C35/ μ PD80C48 features significant savings in power consumption. In addition to the power savings gained through CMOS technology, the μ PD80C35/ μ PD80C48 offers two standby modes (Halt and Stop modes) to further minimize power drain.

Features

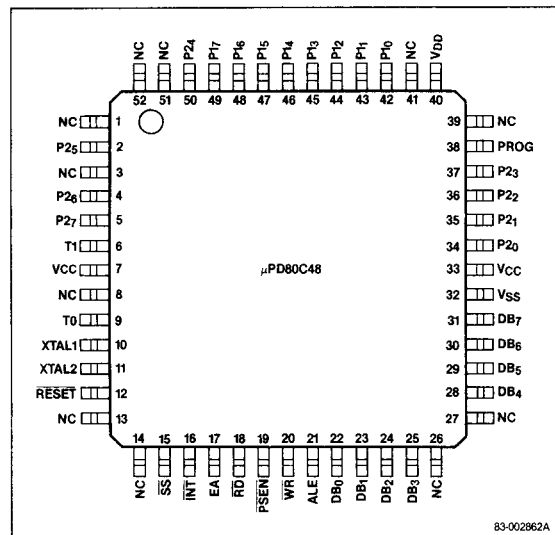
- 8-Bit CPU with memory and I/O on a single-chip
- Hardware/software-compatible with industry-standard 8048, 8748, and 8035 processors
- 1K x 8 ROM (μ PD80C48 only)
- 64 x 8 RAM
- 27 I/O lines
- 2.5- μ s cycle time (6-MHz crystal)
- All instructions executable in 1 or 2 cycles
- 97 instructions: 70 percent are single-byte instructions
- Internal timer/event counter
- Two interrupts (external and timer)
- Easily expandable memory and I/O
- Bus compatible with 8080A/8085A peripherals
- Power-efficient CMOS technology requiring a single +2.5 to +6.0 V power supply
- Halt mode
- Stop mode

Pin Configurations

40-Pin Plastic DIP



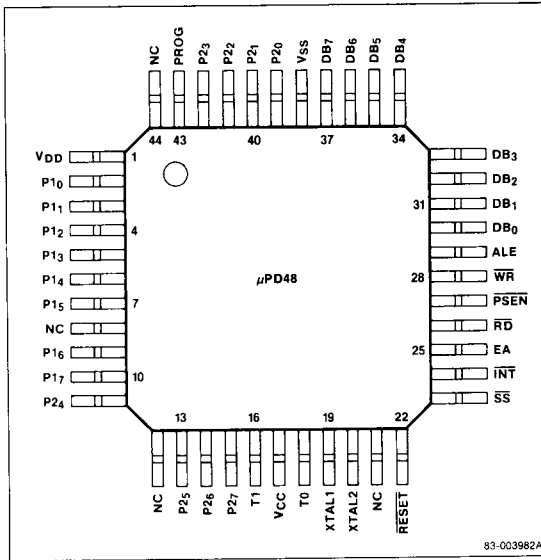
52-Pin Plastic Miniflat



www.DataSheet4U.com

Pin Configurations (cont)

44-Pin Plastic Miniflat



Ordering Information

| Part Number | Package Type | Max Frequency of Operation | ROM |
|--------------|-------------------------|----------------------------|--------|
| μPD80C35C | 40-pin plastic DIP | 6 MHz | None |
| μPD80C48C | 40-pin plastic DIP | 6 MHz | 1K x 8 |
| μPD80C48G-00 | 52-pin plastic miniflat | 6 MHz | 1K x 8 |
| μPD48G-22 | 44-pin plastic miniflat | 6 MHz | 1K x 8 |

Note:

μPD80C48C, μPD80C48G-00, and μPD48G-22 have two optional port types: type 0, $I_{OH} = -5 \mu A$; type 1, $I_{OH} = -50 \mu A$. Type 0 or 1 can be selected independently for P10-P17, P20-P23, and P24-P27.

Pin Identification

| Symbol | Function |
|---------|-----------------------------|
| T0 | Test 0 input/clock output |
| XTAL1 | Crystal 1 input |
| XTAL2 | Crystal 2 input |
| RESET | Reset input |
| SS | Software stop input |
| INT | Interrupt input |
| EA | External access input |
| RD | Read output |
| PSEN | Program store enable output |
| WR | Write output |
| ALE | Address latch enable output |
| DB0-DB7 | Bidirectional data bus |
| VSS | Ground |
| P20-P27 | Quasi-bidirectional port 2 |
| PROG | Program output |
| VDD | Oscillator control voltage |
| P10-P17 | Quasi-bidirectional port 1 |
| T1 | Test 1 input |
| VCC | Primary power supply |
| NC | No connection |

Pin Functions

XTAL1, XTAL2 [Crystals 1, 2]

XTAL1 and XTAL2 are the crystal inputs for the internal clock oscillator. XTAL1 is also used as an input for external clock signals.

T0 [Test 0]

The JT0 and JNT0 instructions test the level of T0 and, if it is high, the program address jumps to the specified address. T0 becomes a clock output when the ENT0 CLK instruction is executed.

T1 [Test 1]

The JT1 and JNT1 instructions test the level of T1 and, if it is high, the program address jumps to the specified address. T1 becomes an internal counter input when the STRT CNT instruction is executed.

RESET [Reset]

RESET initializes the processor and is also used to verify the internal ROM. RESET determines the oscillation stabilizing time during the release of STOP mode. The RESET pulse width requires at least 5 machine cycles when the supply voltage is within specifications and the oscillation frequency is stable.

\overline{SS} [Single Step]

\overline{SS} causes the processor to execute the program one step at a time.

\overline{INT} [Interrupt]

\overline{INT} starts an interrupt if interrupts are enabled. A reset disables an interrupt. \overline{INT} can be tested with the JN1 instruction and, depending on the results, a jump to the specified address can occur.

EA [External Access]

EA disables internal program memory and fetches and accesses external program memory. EA is used for system testing and debugging.

\overline{RD} [Read]

\overline{RD} enables a data read from external memory.

\overline{WR} [Write]

\overline{WR} enables a data write to external memory.

\overline{PSEN} [Program Store Enable]

\overline{PSEN} fetches instructions only from external program memory.

ALE [Address Latch Enable]

ALE occurs at each cycle. The falling edge of ALE addresses external data memory or external program memory. ALE can also be used as a clock output.

DB₀-DB₇ [Data Bus]

DB₀-DB₇ is a bidirectional port, which reads and writes data using \overline{RD} and \overline{WR} for latching. During an external program memory fetch, DB₀-DB₇ output the low-order eight bits of the memory address. \overline{PSEN} fetches the instruction. DB₀-DB₇ also output the address of an external data memory fetch. The addressed data is read and written by \overline{RD} and \overline{WR} .

P1₀-P1₇ [Port 1]

P1₀-P1₇ is an 8-bit quasi-bidirectional port.

P2₀-P2₇ [Port 2]

P2₀-P2₇ is an 8-bit quasi-bidirectional port. P2₀-P2₃ output the high-order four bits of the address during an external program memory fetch. P2₀-P2₃ also function as a 4-bit I/O bus for the μ PD82C43 I/O port expander.

PROG [Program Pulse]

PROG is used as an output pulse during a fetch when interfacing with the μ PD82C43 I/O port expander.

V_{DD} [Oscillator Control Voltage]

V_{DD} stops and starts the oscillator in STOP mode. STOP mode is enabled by forcing V_{DD} low during a rest.

V_{CC} [Primary Power Supply]

V_{CC} is the primary power supply. V_{CC} must be between +2.5 V and +6.0 V for normal operation. In STOP mode, V_{CC} must be at least +2.0 V to ensure data retention.

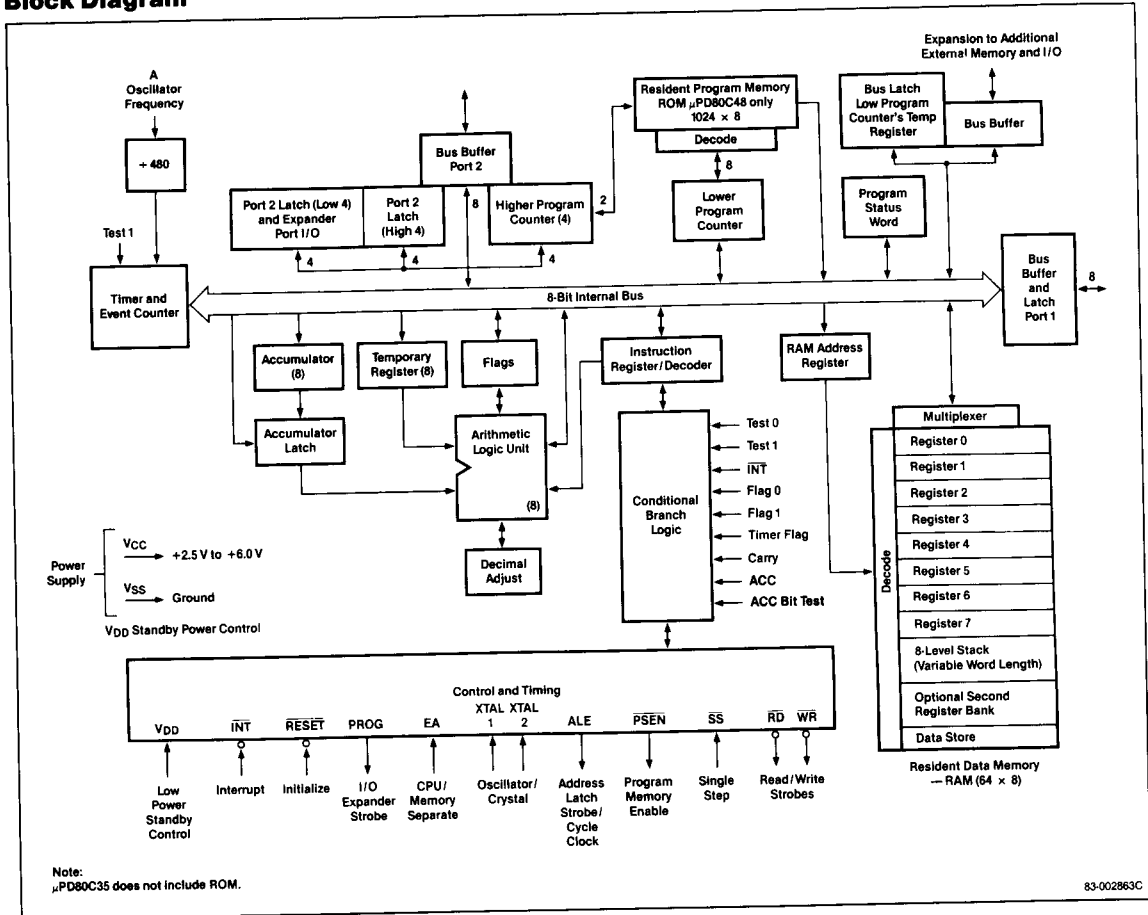
V_{SS} [Ground]

V_{SS} is ground potential.

NC [No Connection]

NC is no connection.

Block Diagram



Absolute Maximum Ratings

T_A = 25°C

| | |
|--|--|
| Power supply voltage, V _{CC} | V _{SS} - 0.3 to +10 V |
| Input voltage, V _{IN} | V _{SS} - 0.3 to V _{CC} + 0.3 V |
| Output voltage, V _O | V _{SS} - 0.3 to V _{CC} + 0.3 V |
| Operating temperature, T _{OP} | -40°C to +85°C |
| Storage temperature, T _{STG} | -65°C to +150°C |

Comment: Exposing the device to stresses above those listed in Absolute Maximum Ratings could cause permanent damage. The device is not meant to be operated under conditions outside the limits described in the operational sections of the specification. Exposure to absolute maximum rating conditions for extended periods may affect device reliability.

DC Characteristics

Standard Voltage Range

$T_A = -40^\circ\text{C}$ to $+85^\circ\text{C}$, $V_{CC} = +5\text{V} \pm 10\%$, $V_{SS} = 0\text{V}$

| Parameter | Symbol | Limits | | | Unit | Test Conditions | | |
|------------------------|--------------|----------------|---------|----------|---------------|--|-----------------------|---|
| | | Min | Typ | Max | | | | |
| Input voltage low | V_{IL} | -0.3 | | +0.8 | V | | | |
| Input voltage high | V_{IH} | $V_{CC} - 2$ | | V_{CC} | V | Except XTAL1, XTAL2, RESET | | |
| | V_{IH1} | $V_{CC} - 1$ | | V_{CC} | V | RESET, XTAL1, XTAL2 | | |
| Output voltage low | V_{OL} | | | +0.45 | V | $I_{OL} = 2.0\text{ mA}$ | | |
| Output voltage high | V_{OH} | 2.4 | | | V | Bus, RD, WR, PSEN, ALE, PROG, TO; $I_{OH} = -100\ \mu\text{A}$ | | |
| | $V_{OH1}(1)$ | 2.4 | | | V | $I_{OH} = -5\ \mu\text{A}$ (type 0) port 1, port 2 | | |
| | | 2.4 | | | V | $I_{OH} = -50\ \mu\text{A}$ (type 1) port 1, port 2 | | |
| | V_{OH2} | $V_{CC} - 0.5$ | | | V | All outputs, $I_{OH} = -0.2\ \mu\text{A}$ | | |
| Input current | $I_{ILP}(1)$ | -15 | -40 | | μA | Port 1, port 2; $V_{IN} \leq V_{IL}$ (type 0) | | |
| | | | | -500 | μA | Port 1, port 2; $V_{IN} \leq V_{IL}$ (type 1) | | |
| | I_{ILC} | | -40 | | μA | SS, RESET; $V_{IN} \leq V_{IL}$ | | |
| Input leakage current | I_{L11} | | ± 1 | | μA | T1, INT, V_{CC} ; $V_{SS} \leq V_{IN} \leq V_{CC}$ | | |
| | I_{L12} | | ± 3 | | μA | EA; $V_{SS} \leq V_{IN} \leq V_{CC}$ | | |
| Output leakage current | I_{LO} | | ± 1 | | μA | $V_{SS} < V_O < V_{CC}$. Bus, TO — high impedance state | | |
| Standby current | I_{CC1} | 0.4 | 0.8 | | mA | Halt mode $t_{CY} = 2.5\ \mu\text{s}$ | | |
| | | | | 1 | 20 | μA | Stop mode (Note 2) | |
| Supply current | I_{CC} | 4 | 8 | | mA | $t_{CY} = 2.5\ \mu\text{s}$ | | |
| Data retention voltage | V_{CCDR} | 2.0 | | | V | Stop mode (V_{DD} , RESET $\leq 0.4\text{ V}$) | | |
| | | | | | 0.6 | 1.2 | mA | $V_{CC} = 6\text{ V}$, $t_{CY} = 2.5\ \mu\text{s}$ |
| | | | | | 1 | 20 | μA | Stop mode, $V_{CC} = 3\text{ V}$ |
| | | | | 1 | 50 | μA | $V_{CC} = 6\text{ V}$ | |

Extended Voltage Range

$T_A = -40^\circ\text{C}$ to $+85^\circ\text{C}$, $V_{CC} = +2.5\text{V}$ to $+6.0\text{V}$, $V_{SS} = 0\text{V}$

| Parameter | Symbol | Limits | | | Unit | Test Conditions | |
|------------------------|-----------|---------------|---------|----------------|---------------|--|---|
| | | Min | Typ | Max | | | |
| Input voltage low | V_{IL} | -0.3 | | +0.18 V_{CC} | V | | |
| Input voltage high | V_{IH} | 0.7 V_{CC} | | V_{CC} | V | Except XTAL1, XTAL2 | |
| | V_{IH1} | 0.8 V_{CC} | | V_{CC} | V | XTAL1, XTAL2 | |
| Output voltage low | V_{OL} | | | +0.45 | V | $I_{OL} = 1.0\text{ mA}$ | |
| Output voltage high | V_{OH} | 0.75 V_{CC} | | | V | Bus, RD, WR, PSEN, ALE, PROG, TO; $I_{OH} = -100\ \mu\text{A}$ | |
| | V_{OH1} | 0.7 V_{CC} | | | V | All other outputs; $I_{OH} = -1\ \mu\text{A}$ (type 0) port 1, port 2 | |
| | | | | 0.7 V_{CC} | V | All other outputs; $I_{OH} = -10\ \mu\text{A}$ (type 1) port 1, port 2 | |
| Input current | I_{ILP} | -15 | -40 | | μA | Port 1, port 2; $V_{IN} \leq V_{IL}$ (type 0) | |
| | | | | -500 | μA | Port 1, port 2; $V_{IN} \leq V_{IL}$ (type 1) | |
| Input leakage current | I_{IL} | | | -40 | μA | SS, RESET; $V_{IN} \leq V_{IL}$ | |
| | I_{L11} | | ± 1 | | μA | T1, INT, $V_{SS} < V_{IN} < V_{CC}$ | |
| | I_{L12} | | ± 5 | | μA | EA; $V_{SS} < V_{IN} < V_{CC}$ | |
| Output leakage current | I_{LO} | | ± 1 | | μA | $V_{SS} < V_O < V_{CC}$. Bus, TO — high impedance state | |
| Supply current | I_{CC} | 0.8 | 1.6 | | mA | $V_{CC} = 3\text{ V}$, $t_{CY} = 10\ \mu\text{s}$ | |
| | | | | 6 | 12 | μA | $V_{CC} = 6\text{ V}$, $t_{CY} = 25\ \mu\text{s}$ |
| Standby current | I_{CC1} | 100 | 200 | | μA | Halt mode; $V_{CC} = 3\text{ V}$, $t_{CY} = 10\ \mu\text{s}$ | |
| | | | | 0.6 | 1.2 | mA | $V_{CC} = 6\text{ V}$, $t_{CY} = 2.5\ \mu\text{s}$ |
| | | | | 1 | 20 | μA | Stop mode, $V_{CC} = 3\text{ V}$ |
| | | | | 1 | 50 | μA | $V_{CC} = 6\text{ V}$ |

Note:

(1) Types 0, 1 for μPD80C48 only.

Type 0 for μPD80C35 only.

(2) Input pin voltage is $V_{IN} \leq V_{IL}$, or $V_{IN} \geq V_{IH}$.

AC Characteristics

Read, Write and Instruction Fetch: External Data and Program Memory

$T_A = -40^\circ\text{C}$ to $+85^\circ\text{C}$, $V_{CC} = V_{DD} = +5\text{V} \pm 10\%$; $V_{SS} = 0\text{V}$

| Parameter | Symbol | Limits | | | | Unit | Test Conditions |
|------------------------------------|-----------|--------------------------------|-----|---------------------------------------|------|------|-----------------|
| | | $V_{CC} = +5\text{V} \pm 10\%$ | | $V_{CC} = 2.5\text{V to }6.0\text{V}$ | | | |
| | | Min | Max | Min | Max | | |
| ALE pulse width | t_{LL} | 400 | | 2160 | | ns | |
| Address setup before ALE | t_{AL} | 120 | | 1620 | | ns | |
| Address hold from ALE | t_{LA} | 80 | | 330 | | ns | (Note 1) |
| Control pulse width (RD, WR, PSEN) | t_{CC} | 700 | | 3700 | | ns | |
| Data setup before WR | t_{DW} | 500 | | 3500 | | ns | |
| Data hold after WR | t_{WD} | 120 | | 370 | | ns | (Note 2) |
| Cycle time | t_{CY} | 2.5 | 150 | 10 | 150 | μs | 6 MHz XTAL |
| Data hold | t_{DR} | 0 | 200 | 0 | 950 | ns | |
| PSEN, RD to data in | t_{RD} | | 500 | | 2750 | ns | |
| Address setup before WR | t_{AW} | 230 | | 3230 | | ns | (Note 1) |
| Address setup before data in | t_{AD} | | 950 | | 5450 | | |
| Address float to RD, PSEN | t_{AFC} | 0 | | 500 | | ns | |
| Control pulse to ALE | t_{CA} | 10 | | 10 | | ns | |

Bus Timing Requirements (Note 1)

| Symbol | Timing Formula | Min/Max | Unit |
|-----------|-----------------------|---------|------|
| t_{LL} | $(7/30) t_{CY} - 170$ | Min | ns |
| t_{AL} | $(1/5) t_{CY} - 380$ | Min | ns |
| t_{LA} | $(1/30) t_{CY}$ | Min | ns |
| t_{CC} | $(2/5) t_{CY} - 300$ | Min | ns |
| t_{DW} | $(2/5) t_{CY} - 500$ | Min | ns |
| t_{WD} | $(1/30) t_{CY} + 40$ | Min | ns |
| t_{DR} | $(1/10) t_{CY} - 50$ | Max | ns |
| t_{RD} | $(3/10) t_{CY} - 250$ | Max | ns |
| t_{AW} | $(2/5) t_{CY} - 770$ | Min | ns |
| t_{AD} | $(3/5) t_{CY} - 550$ | Max | ns |
| t_{AFC} | $(1/15) t_{CY} - 165$ | Min | ns |

Port 2 Timing

$T_A = -40^\circ\text{C}$ to $+85^\circ\text{C}$, $V_{CC} = V_{DD} = +5\text{V} \pm 10\%$; $V_{SS} = 0\text{V}$

| Parameter | Symbol | Limits | | | | Unit | Test Conditions |
|--|----------|--------------------------------|-----|---------------------------------------|------|------|-----------------|
| | | $V_{CC} = +5\text{V} \pm 10\%$ | | $V_{CC} = 2.5\text{V to }6.0\text{V}$ | | | |
| | | Min | Max | Min | Max | | |
| Port control setup before falling edge of PROG | t_{CP} | 110 | | 860 | | ns | |
| Port control hold after falling edge of PROG | t_{PC} | 0 | 80 | 0 | 200 | ns | (Note 4) |
| PROG to time P2 input must be valid | t_{PR} | | 810 | | 5310 | ns | |
| Output data setup time | t_{DP} | 250 | | 3250 | | ns | (Note 3) |
| Output data hold time | t_{PD} | 65 | | 820 | | ns | |
| Input data hold time | t_{PF} | 0 | 150 | 0 | 900 | ns | |
| PROG pulse width | t_{PP} | 1200 | | 6450 | | ns | |
| Port 2 I/O data setup time | t_{PL} | 350 | | 2100 | | ns | |
| Port 2 I/O data hold time | t_{LP} | 150 | | 1400 | | ns | |

Note:

- (1) Control outputs: $C_L = 80\text{ pF}$, bus outputs: $C_L = 150\text{ pF}$
- (2) $C_L = 20\text{ pF}$
- (3) Control outputs: $C_L = 80\text{ pF}$
- (4) Refer to the operating characteristics curves for supply voltage and port control hold.

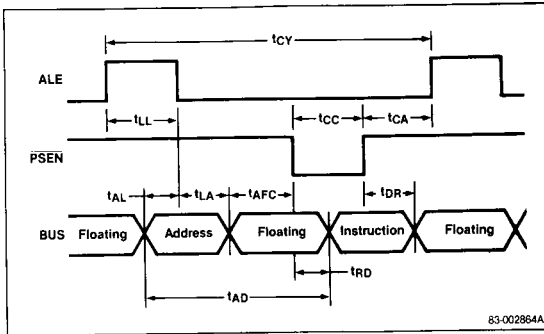
| Symbol | Timing Formula | Min/Max | Unit |
|-----------|-----------------------|---------|------|
| t_{CP} | $(1/10) t_{CY} - 140$ | Min | ns |
| t_{PC2} | $(4/15) t_{CY} - 200$ | Min | ns |
| t_{PR} | $(3/5) t_{CY} - 690$ | Max | ns |
| t_{PF} | $(1/10) t_{CY} - 100$ | Max | ns |
| t_{DP} | $(2/5) t_{CY} - 750$ | Min | ns |
| t_{PD} | $(1/10) t_{CY} - 180$ | Min | ns |
| t_{PP} | $(7/10) t_{CY} - 550$ | Min | ns |
| t_{PL} | $(7/30) t_{CY} - 230$ | Min | ns |
| t_{LP} | $(1/6) t_{CY} - 265$ | Min | ns |

Note:

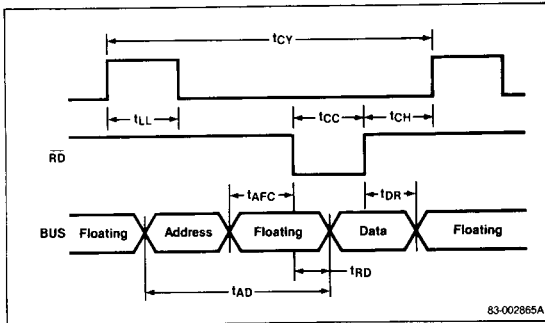
- (1) Unlisted parameters are not affected by cycle time.

Timing Waveforms

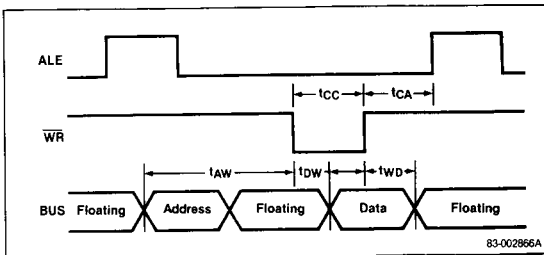
Instruction Fetch From External Memory



Read From External Data Memory

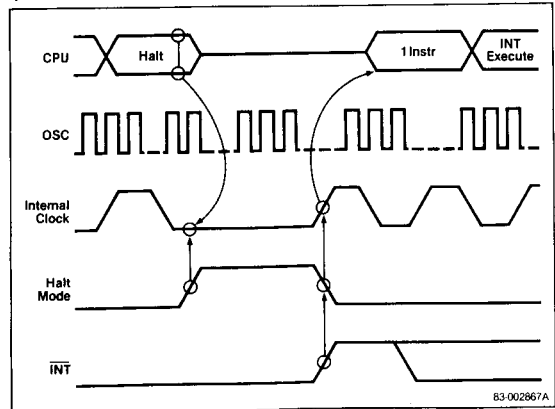


Write to External Memory

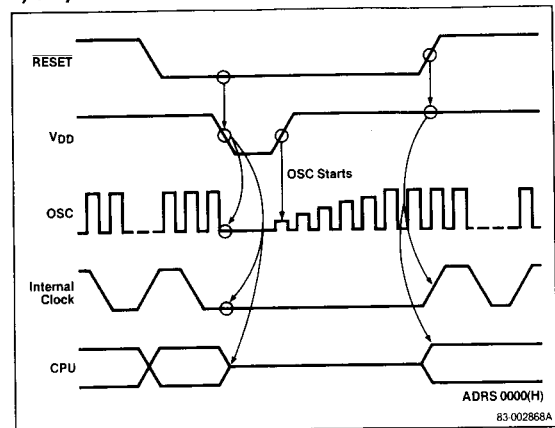


Low Power Standby Operation

1) Halt Mode (When EI)

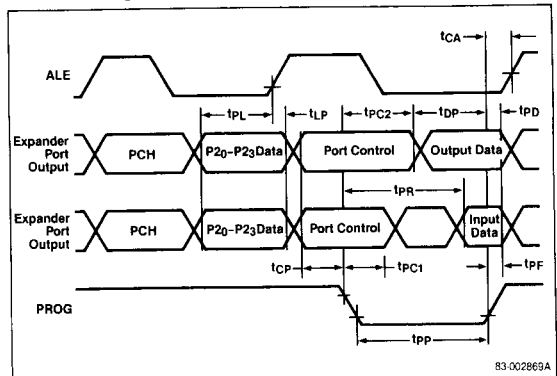


2) Stop Mode



4

Port 2 Timing



Functional Description

Standby Function

Halt Mode

In Halt mode, the oscillator continues to operate, but the internal clock is disabled. The status of all internal logic just prior to execution of the HALT instruction is maintained by the CPU. In Halt mode, power consumption is less than 10 percent of normal μPD80C48 operation and less than 1 percent of normal 8048 operation.

The Halt mode is initiated by execution of the HALT instruction, and is released by either $\overline{\text{INT}}$ or $\overline{\text{RESET}}$ input.

INT Input. When the $\overline{\text{INT}}$ pin receives a low-level input, if interrupts are enabled, the internal clock is restarted and the interrupt is executed after the first or second instruction following the HALT instruction. However, if interrupts are disabled, program operation is resumed from the next address following the HALT instruction. The first instruction following a HALT instruction should be a NOP instruction to ensure proper program execution.

If the Halt mode is released when interrupts are enabled, the interrupt service routine is usually executed after the first or second instruction following the release of Halt mode. However, if either a timer or external interrupt is accepted within one machine cycle prior to a HALT instruction, the corresponding timer or external interrupt service routine is executed immediately following the release of Halt mode. It is important to note this sequence of execution when considering interrupt service routine execution following a HALT instruction.

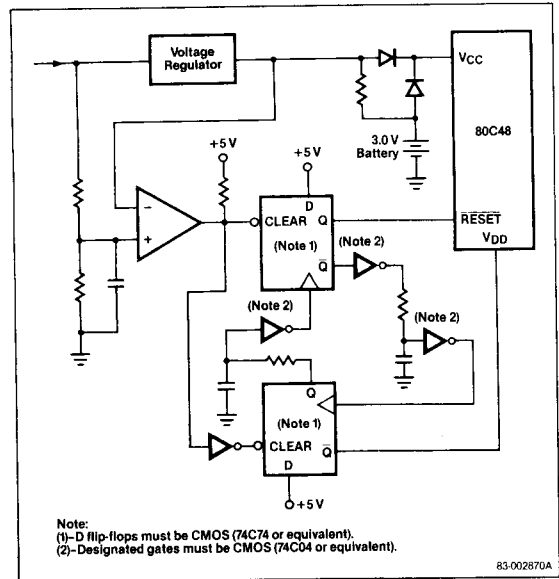
RESET Input. When a low-level input is received by the $\overline{\text{RESET}}$ pin, Halt mode is released and the normal reset operation is activated, restarting program operation from address 0.

Stop Mode

In Stop mode, the oscillator is deactivated and only the contents of RAM are maintained. The operation status of the μPD80C35/μPD80C48 resembles that of a reset condition. Because only the contents of RAM are maintained, Stop mode provides even lower power consumption than Halt mode, only requiring a minimum V_{CC} as low as +2 V.

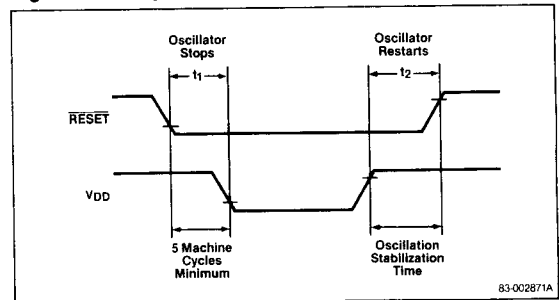
Stop mode is initiated by setting V_{DD} to low when $\overline{\text{RESET}}$ is low, to protect the contents of RAM. Stop mode is released by first raising the supply voltage at the V_{CC} pin from standby level to correct operating level and setting V_{DD} to high when $\overline{\text{RESET}}$ is low. After the oscillator has been restarted and the oscillation has stabilized, $\overline{\text{RESET}}$ must be set to high, whereby program operation is started from address 0. Figure 1 shows the Stop mode circuit.

Figure 1. Stop Mode Circuit



Stop Mode Circuit. Since V_{DD} controls the restarting of the oscillator, it is important that V_{DD} be protected from noise interference. The time required to reset the CPU is represented by t_1 (see figure 2), which is a minimum of 5 machine cycles. The reset operation will not be completed in less than 5 machine cycles. In Stop mode, it is important to note that if V_{DD} goes low before 5 machine cycles have elapsed, the CPU will be deactivated and the output of ALE, RD, WR, PSEN, and PROG will not have been stabilized.

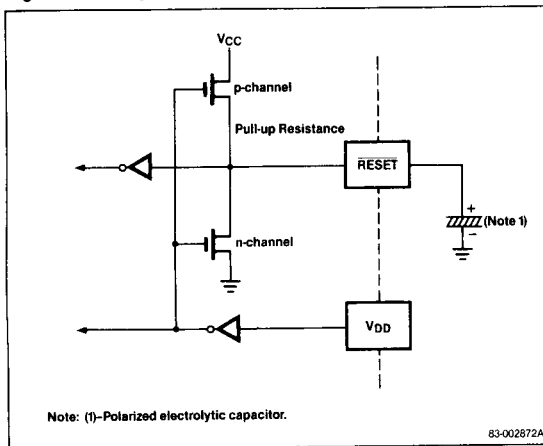
Figure 2. Stop Mode Timing



Oscillation stabilization time is represented by t_2 (see figure 2). When V_{DD} goes high, oscillator operation is re-activated, but it takes time before oscillation can be stabilized. In particular, such high Q resonators as crystals require longer periods to stabilize. Because there is a delay between restarting of the oscillator and oscillator stabilization, t_2 should be long enough to ensure that the oscillator has been fully stabilized.

To facilitate Stop mode control, an external capacitor can be connected to the RESET pin (see figure 3), affecting only t_2 , allowing control of the oscillator stabilization time. When V_{DD} is asserted in Stop mode, the capacitor begins charging, pulling up RESET. When RESET reaches a threshold level equivalent to a logic 1, Stop mode is released. The time it takes RESET to reach the threshold level of logic 1 determines the oscillator stabilization time, which is a function of the capacitance and pull-up resistance values.

Figure 3. Stop Mode Control Circuit

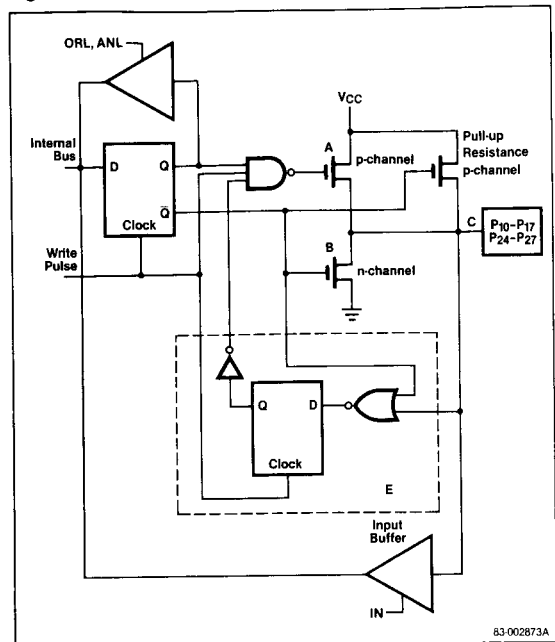


Port Operation

A port-loading option is offered at the time of ordering the mask. Individual source current requirements for Port 1 and the upper and lower halves of Port 2 may be factory set at either $-5\mu A$ or $-50\mu A$ (see Port-Loading Options table). The $-50\mu A$ option is required for interfacing with TTL/NMOS devices. The $-5\mu A$ option is recommended for interfacing to other CMOS devices. The CMOS option results in lower power consumption and greater noise immunity.

Port lines P10-P17 and P24-P27 include a protective circuit "E" to prevent a signal conflict at the port. The circuit prevents a logic 1 from being written to a line that is being pulled down externally (see figure 4, Port Protection Circuit E diagram). When a logic 0 is detected at the port line and a logic 1 is written from the bus, the NOR gate sends a logic 1 to the D input of the flip-flop. The output is inverted, forcing the NAND gate to send a high-level output. This turns off transistor A, preventing the output of a logic 1 from the port.

Figure 4. Port Protection Circuit E



Port-Loading Options

$I_{OH}(\text{min}) V_{CC} = V_{DD} = 5V \pm 10\%$; $V_{OH} = 2.4V(\text{min})$

| Option Selected | P1 ₀ -P1 ₇ | P2 ₀ -P2 ₃ | P2 ₄ -P2 ₇ | Unit |
|-----------------|----------------------------------|----------------------------------|----------------------------------|------|
| A | -5 | -5 | -5 | μA |
| B | -50 | -5 | -5 | μA |
| C | -5 | -50 | -5 | μA |
| D | -50 | -50 | -5 | μA |
| E | -5 | -5 | -50 | μA |
| F | -50 | -5 | -50 | μA |
| G | -5 | -50 | -50 | μA |
| H | -50 | -50 | -50 | μA |

Note:

- (1) The selection of $I_{OH} = -5\mu A$ will result in a port source current of $I_{ILP} = -40\mu A$ max when used as input port.
- (2) The selection of $I_{OH} = -50\mu A$ will result in a port source current of $I_{ILP} = -500\mu A$ max when used as input port.

Oscillator Operation

The oscillator maintains an internal frequency for clock generation and controls all system timing cycles. The oscillation is initiated by either a self-generating external resonator or external clock input. The oscillator acts as a high-gain amplifier which produces square-wave pulses at the frequency determined by the resonator or clock source to which it is connected.

To obtain the oscillation frequency, an external LC network (figure 5) may be connected to the oscillator, or, a ceramic or crystal external resonator (figure 6) may be connected.

Figure 5. LC Frequency Reference Circuit

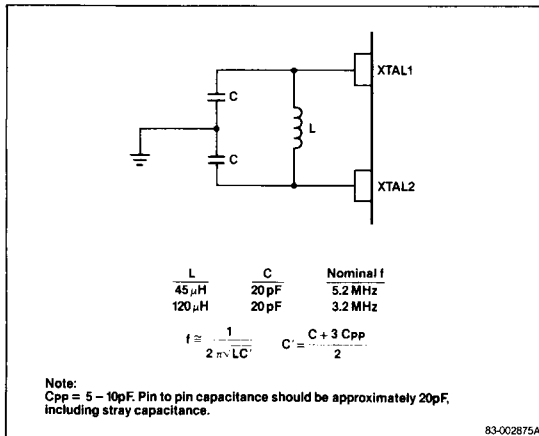
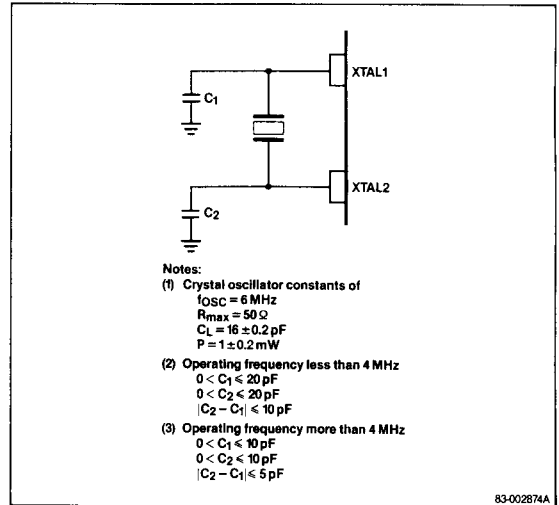


Figure 6. Crystal Frequency Reference Circuit



As the crystal frequency is lowered, there is an equivalent reduction in series resistance (R). As the temperature of the crystal is lowered, R is increased. Due to this relationship, it becomes difficult to stabilize oscillation when there is low power supply voltage. When V_{CC} is less than 2.7 V and the oscillator frequency is 3 MHz or less, T_A (ambient temperature) should not be less than -10°C .

Figures 7 and 8 show the ceramic resonator and external clock frequency reference circuits. Figure 9 shows the μPD80C35/μPD80C48 major I/O signals.

Figure 7. Ceramic Resonator Frequency Reference Circuit

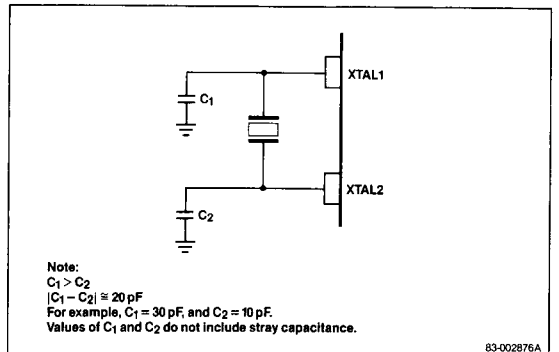


Figure 8. External Clock Frequency Reference Circuit

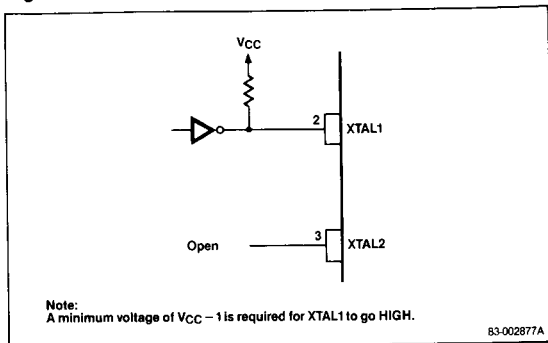
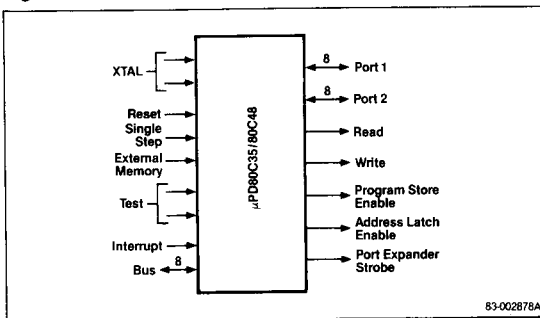


Figure 9. Major Input and Output Signals



Instruction Set

Instruction Set Symbol Definitions

| Symbol | Description |
|--------|--|
| A | Accumulator |
| AC | Auxiliary carry flag |
| addr | Program or data memory address (a_0 - a_7) or (a_0 - a_{10}) |
| b | Accumulator bit ($b = 0-7$) |
| BS | Bank switch |
| BUS | Bus |
| C | Carry flag |
| CLK | Clock |
| CNT | Counter |
| data | 8-bit binary data (d_0 - d_7) |
| DBF | Memory bank flip-flop |
| F0, F1 | Flag 0, flag 1 |
| INT | Interrupt pin |
| n | Indicates the hex number of the specified register or port |
| PC | Program counter |
| Pp | Port 1, port 2, or ports 4-7 ($p = 1, 2$ or 4-7) |
| PSW | Program status word |
| Rr | Register ($r = 0-7$) |

| Symbol | Description |
|--------|---|
| SP | Stack pointer |
| T | Timer |
| TF | Timer flag |
| T0, T1 | Test 0, test 1 pin |
| # | Prefix for immediate data |
| @ | Prefix for indirect address |
| x | Indicates the hex number corresponding to the accumulator bit or page number specified in the operand |
| (x) | Contents of RAM |
| ((x)) | Contents of memory location addressed by (x) |
| ← | Transfer direction, result |
| AND | Logical product (logical AND) |
| OR | Logical sum (logical OR) |
| EXOR | Exclusive-OR |
| — | Complement |

Instruction Set (cont)

| Mnemonic | Function | Description | Operation Code | | | | | | | | | | Cycles | Bytes | |
|--------------------|-------------------------------------|---|----------------|----|----|----|----|----|----|----|---|----------------|----------------|-------|---|
| | | | D7 | D6 | D5 | D4 | D3 | D2 | D1 | D0 | | | | | |
| Accumulator | | | | | | | | | | | | | | | |
| ADD A, # data | (A) ← (A) + data | Adds immediate data d ₀ -d ₇ to the accumulator. Sets or clears both carry flags. (Note 2) | 03 | 0 | 0 | 0 | 0 | 0 | 0 | 0 | 0 | 1 | 1 | 2 | 2 |
| ADD A, Rr | (A) ← (A) + (Rr) r = 0-7 | Adds the contents of register Rr to the accumulator. Sets or clears both carry flags. (Note 2) | 6n(4) | 0 | 1 | 1 | 0 | 1 | r | r | r | r | r | 1 | 1 |
| ADD A, @Rr | (A) ← (A) + ((Rr)) r = 0-1 | Adds the contents of the internal data memory location specified by bits 0-5 of register Rr to the accumulator. Sets or clears both carry flags. (Note 2) | 6n(4) | 0 | 1 | 1 | 0 | 0 | 0 | 0 | 0 | r | r | 1 | 1 |
| ADDC A, # data | (A) ← (A) + (C) + data | Adds, with carry, immediate data d ₀ -d ₇ to the accumulator. Sets or clears both carry flags. (Note 2) | 13 | 0 | 0 | 0 | 0 | 1 | 0 | 0 | 1 | 1 | 1 | 2 | 2 |
| ADDC A, Rr | (A) ← (A) + (C) + (Rr) r = 0-7 | Adds, with carry, the contents of register Rr to the accumulator. Sets or clears both carry flags. (Note 2) | 7n(4) | 0 | 1 | 1 | 1 | 1 | r | r | r | r | r | 1 | 1 |
| ADDC A, @Rr | (A) ← (A) + (C) + ((Rr)) r = 0-1 | Adds, with carry, the contents of the internal data memory location specified by bits 0-5 of register Rr, to the accumulator. Sets or clears both carry flags. (Note 2) | 7n(4) | 0 | 1 | 1 | 1 | 0 | 0 | 0 | 0 | r | r | 1 | 1 |
| ANL A, # data | (A) ← (A) AND data | Takes the logical product (logical AND) of immediate data d ₀ -d ₇ and the contents of the accumulator, and stores the result in the accumulator. | 53 | 0 | 1 | 0 | 1 | 0 | 0 | 1 | 1 | d ₀ | d ₁ | 2 | 2 |
| ANL A, Rr | (A) ← (A) AND (Rr) r = 0-7 | Takes the logical product (logical AND) of the contents of register Rr and the accumulator, and stores the result in the accumulator. | 5n(4) | 0 | 1 | 0 | 1 | 1 | r | r | r | r | r | 1 | 1 |
| ANL A, @Rr | (A) ← (A) AND ((Rr)) r = 0-1 | Takes the logical product (logical AND) of the contents of the internal data memory location specified by bits 0-5 of register Rr, and the accumulator, and stores the result in the accumulator. | 5n(4) | 0 | 1 | 0 | 1 | 0 | 0 | 0 | 0 | r | r | 1 | 1 |
| CPL A | (A) ← $\overline{(A)}$ | Takes the complement of the contents of the accumulator. | 37 | 0 | 0 | 1 | 1 | 0 | 1 | 1 | 1 | 1 | 1 | 1 | 1 |
| CLR A | (A) ← 0 | Clears the contents of the accumulator. | 27 | 0 | 0 | 1 | 0 | 0 | 1 | 1 | 1 | 1 | 1 | 1 | 1 |
| DA A | | Converts the contents of the accumulator to BCD. Sets or clears the carry flags. When the lower 4 bits (A ₀ -A ₃) are greater than 9, or if the auxiliary carry flag has been set, adds 6 to (A ₀ -A ₃). When the upper 4 bits (A ₄ -A ₇) are greater than 9 or if the carry flag (C) has been set, adds 6 to (A ₄ -A ₇). If an overflow occurs at this point, C is set. (Note 2) | 57 | 0 | 1 | 0 | 1 | 0 | 1 | 1 | 1 | 1 | 1 | 1 | 1 |
| DEC A | (A) ← (A) - 1 | Decrements the contents of the accumulator by 1. | 07 | 0 | 0 | 0 | 0 | 0 | 1 | 1 | 1 | 1 | 1 | 1 | 1 |
| INC A | (A) ← (A) + 1 | Increments the contents of the accumulator by 1. | 17 | 0 | 0 | 0 | 1 | 0 | 1 | 1 | 1 | 1 | 1 | 1 | 1 |
| ORL A, # data | (A) ← (A) OR data | Takes the logical sum (logical OR) of immediate data d ₀ -d ₇ and the contents of the accumulator, and stores the result in the accumulator. | 43 | 0 | 1 | 0 | 0 | 0 | 0 | 1 | 1 | 1 | 1 | 2 | 2 |
| ORL A, Rr | (A) ← (A) OR (Rr) r = 0-7 | Takes the logical sum (logical OR) of register Rr and the contents of the accumulator, and stores the result in the accumulator. | 4n(4) | 0 | 1 | 0 | 0 | 1 | r | r | r | r | r | 1 | 1 |

Instruction Set (cont)

| Mnemonic | Function | Description | Hex Code | Operation Code | | | | | | | | Cycles | Bytes | |
|---------------------------|--|--|----------|----------------------------------|----------------------------------|----------------------------------|---------------------|---------------------|---------------------|---------------------|---------------------|---------------------|-------|---|
| | | | | D7 | D6 | D5 | D4 | D3 | D2 | D1 | D0 | | | |
| Accumulator (cont) | | | | | | | | | | | | | | |
| ORL A, @ Rr | $(A) \leftarrow (A) \text{ OR } ((Rr))$ $r = 0-1$ | Takes the logical sum (logical OR) of the contents of the internal data memory location specified by bits 0-5 in register Rr, and the contents of the accumulator, and stores the result in the accumulator. | 4n(4) | 0 | 1 | 0 | 0 | 0 | 0 | 0 | 0 | r | 1 | 1 |
| RLA | $(AN + 1) \leftarrow (AN)$ $(A_0) \leftarrow (A_7) \text{ N} = 0-6$ | Rotates the contents of the accumulator one bit to the left. The MSB is rotated into the LSB. | E7 | 1 | 1 | 1 | 0 | 0 | 1 | 1 | 1 | 1 | 1 | 1 |
| RLCA | $(AN + 1) \leftarrow (AN)$; $N = 0-6$ $(A_0) \leftarrow (C)$ $(C) \leftarrow (A_7)$ | Rotates the contents of the accumulator one bit to the left through carry. | F7 | 1 | 1 | 1 | 1 | 0 | 1 | 1 | 1 | 1 | 1 | 1 |
| RRA | $(AN) \leftarrow (AN + 1)$; $N = 0-6$ $(A_7) \leftarrow (A_0)$ | Rotates the contents of the accumulator one bit to the right. The LSB is rotated into the MSB. | 77 | 0 | 1 | 1 | 1 | 0 | 1 | 1 | 1 | 1 | 1 | 1 |
| RRLA | $(AN) \leftarrow (AN + 1)$; $N = 0-6$ $(A_7) \leftarrow (C)$ $(C) \leftarrow (A_0)$ | Rotates the contents of the accumulator one bit to the right through carry. | 67 | 0 | 1 | 1 | 0 | 0 | 1 | 1 | 1 | 1 | 1 | 1 |
| SWAP A | $(A_4-A_7) \leftrightarrow (A_0-A_3)$ | Exchanges the contents of the lower 4 bits of the accumulator with the upper 4 bits of the accumulator. | 47 | 0 | 1 | 0 | 0 | 0 | 1 | 1 | 1 | 1 | 1 | 1 |
| XRL A, # data | $(A) \leftarrow (A) \text{ XOR data}$ | Takes the exclusive OR of immediate data d_0-d_7 and the contents of the accumulator, and stores the result in the accumulator. | D3 | 1 | 1 | 0 | 1 | 0 | 0 | 1 | 1 | 1 | 2 | 2 |
| XRL A, Rr | $(A) \leftarrow (A) \text{ XOR } (Rr)$ $r = 0-7$ | Takes the exclusive OR of the contents of register Rr and the accumulator, and stores the result in the accumulator. | Dn(4) | 1 | 1 | 0 | 1 | 1 | 1 | r | r | r | 1 | 1 |
| XRL A, @ Rr | $(A) \leftarrow (A) \text{ XOR } ((Rr))$ $r = 0-1$ | Takes the exclusive OR of the contents of the location in data memory specified by bits 0-5 in register Rr, and the accumulator, and stores the result in the accumulator. | Dn(4) | 1 | 1 | 0 | 1 | 0 | 0 | 0 | 0 | r | 1 | 1 |
| Branch | | | | | | | | | | | | | | |
| DJNZ Rr, addr | $(Rr) \leftarrow (Rr) - 1$; $r = 0-7$ If $(Rr) \neq 0$: $(PC_0-PC_7) \leftarrow \text{addr}$ | Decrements the contents of register Rr by 1, and if the result is not equal to 0, jumps to the address indicated by a_0-a_7 . | En | 1 | 1 | 1 | 0 | 1 | r | r | r | r | 2 | 2 |
| JBB addr | $(PC_0-PC_7) \leftarrow \text{addr}$ if $b = 1$ $(PC) = (PC) + 2$ if $b = 0$ | Jumps to the address specified by a_0-a_7 if the bit in the accumulator specified by b_0-b_2 is set. | x2(6) | b ₂ a ₇ | b ₁ a ₆ | b ₀ a ₅ | 1 a ₄ | 0 a ₃ | 0 a ₂ | 1 a ₁ | 0 a ₀ | 0 a ₀ | 2 | 2 |

Instruction Set (cont)

| Mnemonic | Function | Description | Hex Code | Operation Code | | | | | | | | Cycles | Bytes | |
|----------------------|---|---|----------|-----------------|----------------|----------------|----|----|----|----|----|--------|-------|---|
| | | | | D7 | D6 | D5 | D4 | D3 | D2 | D1 | D0 | | | |
| Branch (cont) | | | | | | | | | | | | | | |
| JC addr | (PC ₀ -PC ₇) ← addr if C = 1 (PC) ← (PC) + 2 if C = 0 | Jumps to the address specified by a ₀ -a ₇ if the carry flag is set. | F6 | 1 | 1 | 1 | 1 | 0 | 1 | 0 | 1 | 0 | 2 | 2 |
| JFO addr | (PC ₀ -PC ₇) ← addr if FO = 1 (PC) ← (PC) + 2 if FO = 0 | Jumps to the address specified by a ₀ -a ₇ if FO is set. | B6 | 1 | 0 | 1 | 1 | 0 | 1 | 0 | 1 | 0 | 2 | 2 |
| JF1 addr | (PC ₀ -PC ₇) ← addr if F1 = 1 (PC) ← (PC) + 2 if F1 = 0 | Jumps to the address specified by a ₀ -a ₇ if F1 is set. | 76 | 0 | 1 | 1 | 1 | 0 | 1 | 0 | 1 | 0 | 2 | 2 |
| JMP addr | (PC ₀ -PC ₇) ← (addr ₀ -addr ₇) (PC ₀ -PC ₇) ← (addr ₀ -addr ₇) (PC ₁₁) ← DBF | Jumps directly to the address specified by a ₀ -a ₇ and the DBF. | x4(6) | a ₁₀ | a ₉ | a ₈ | 0 | 0 | 1 | 0 | 0 | 0 | 2 | 2 |
| JMPP @A | (PC ₀ -PC ₇) ← ((A)) | Replaces the lower 8 bits of the program counter with the contents of program memory specified by the contents of the accumulator, producing a jump to the specified address within the current page. | B3 | 1 | 0 | 1 | 1 | 0 | 0 | 1 | 1 | 0 | 2 | 1 |
| JNC addr | (PC ₀ -PC ₇) ← addr if C = 0 (PC) ← (PC) + 2 if C = 1 | Jumps to the address specified by a ₀ -a ₇ if the carry flag is not set. | E6 | 1 | 1 | 1 | 0 | 0 | 1 | 1 | 0 | 0 | 2 | 2 |
| JNI addr | (PC ₀ -PC ₇) ← addr if I = 0 (PC) ← (PC) + 2 if I = 1 | Jumps to the address specified by a ₀ -a ₇ if the interrupt flag is not set. | 86 | 1 | 0 | 0 | 0 | 0 | 1 | 1 | 0 | 0 | 2 | 2 |
| JNTO addr | (PC ₀ -PC ₇) ← addr if TO = 0 (PC) ← (PC) + 2 if TO = 1 | Jumps to the address specified by a ₀ -a ₇ if test 0 is low. | 26 | 0 | 0 | 1 | 0 | 0 | 1 | 1 | 0 | 0 | 2 | 2 |
| JNT1 addr | (PC ₀ -PC ₇) ← addr if T1 = 0 (PC) ← (PC) + 2 if T1 = 1 | Jumps to the address specified by a ₀ -a ₇ if test 1 is low. | 46 | 0 | 1 | 0 | 0 | 0 | 1 | 1 | 0 | 0 | 2 | 2 |
| JNZ addr | (PC ₀ -PC ₇) ← addr if A ≠ 0 (PC) ← (PC) + 2 if A = 0 | Jumps to the address specified by a ₀ -a ₇ if the contents of the accumulator are not equal to 0. | 96 | 1 | 0 | 0 | 1 | 0 | 1 | 1 | 0 | 0 | 2 | 2 |
| JTF addr | (PC ₀ -PC ₇) ← addr if TF = 1 (PC) ← (PC) + 2 if TF = 0 | Jumps to the address specified by a ₀ -a ₇ if the timer flag is set. The timer flag is cleared after the instruction is executed. | 16 | 0 | 0 | 0 | 1 | 0 | 1 | 1 | 0 | 0 | 2 | 2 |
| JTO addr | (PC ₀ -PC ₇) ← addr if TO = 1 (PC) ← (PC) + 2 if TO = 0 | Jumps to the address specified by a ₀ -a ₇ if test 0 is high. | 36 | 0 | 0 | 1 | 1 | 0 | 1 | 1 | 0 | 0 | 2 | 2 |
| JT1 addr | (PC ₀ -PC ₇) ← addr if T1 = 1 (PC) ← (PC) + 2 if T1 = 0 | Jumps to the address specified by a ₀ -a ₇ if test 1 is high. | 56 | 0 | 1 | 0 | 1 | 0 | 1 | 1 | 0 | 0 | 2 | 2 |
| JZ | (PC ₀ -PC ₇) ← addr if A = 0 (PC) ← (PC) + 2 if A = 1 | Jump to the address specified by a ₀ -a ₇ if the contents of the accumulator are equal to 0. | C6 | 1 | 1 | 0 | 0 | 0 | 1 | 1 | 0 | 0 | 2 | 2 |

Instruction Set (cont)

| Mnemonic | Function | Description | Operation Code | | | | | | | | | | Cycles | Bytes | | |
|-------------------|------------------------|---|----------------|----|----|----|----|----|----|----|----|---|----------------|-------|---|---|
| | | | Hex Code | D7 | D6 | D5 | D4 | D3 | D2 | D1 | D0 | | | | | |
| Control | | | | | | | | | | | | | | | | |
| ENI | | Enables external interrupts. When external interrupts are enabled, a low-level input to the INT pin causes the processor to vector to the interrupt service routine. | 05 | 0 | 0 | 0 | 0 | 0 | 0 | 0 | 0 | 0 | 0 | 0 | 1 | 1 |
| DISI | | Disables external interrupts. When external interrupts are disabled, low-level inputs to the INT pin have no effect on program execution. | 15 | 0 | 0 | 0 | 0 | 1 | 0 | 1 | 0 | 1 | 0 | 1 | 1 | 1 |
| ENTO CLK | | Enables clock output to pin T0. | 75 | 0 | 1 | 1 | 1 | 1 | 0 | 1 | 0 | 1 | 0 | 1 | 1 | 1 |
| SEL MBO | (DBF) ← 0 | Clears the memory bank flip-flop, selecting program memory bank 0 (program memory addresses 0-2047 ₍₁₀₎). Clears PC ₁₁ after the next JMP or CALL instruction. | E5 | 1 | 1 | 1 | 0 | 0 | 1 | 0 | 1 | 0 | 1 | 1 | 1 | 1 |
| SEL MB1 | (DBF) ← 1 | Sets the memory bank flip-flop, selecting program memory bank 1 (program memory addresses 2048-4095 ₍₁₀₎). Sets PC ₁₁ after the next JMP or CALL instruction. | F5 | 1 | 1 | 1 | 1 | 1 | 0 | 1 | 0 | 1 | 0 | 1 | 1 | 1 |
| SEL RBO | (BS) ← 0 | Selects data memory bank 0 by clearing bit 4 (bank switch) of the PSW. Specifies data memory addresses 0-7 ₍₁₀₎ as registers 0-7 of data memory bank 0. | C5 | 1 | 1 | 0 | 0 | 0 | 1 | 0 | 1 | 0 | 1 | 1 | 1 | 1 |
| SEL RB1 | (BS) ← 1 | Selects data memory bank 1 by setting bit 4 (bank switch) of the PSW. Specifies data memory 24-31 ₍₁₀₎ as registers 0-7 of data memory bank 1. | D5 | 1 | 1 | 0 | 1 | 0 | 1 | 0 | 1 | 0 | 1 | 1 | 1 | 1 |
| HALT | | Initiates halt mode. | 01 | 0 | 0 | 0 | 0 | 0 | 0 | 0 | 0 | 0 | 0 | 1 | 1 | 1 |
| Data Moves | | | | | | | | | | | | | | | | |
| MOV A, # data | (A) ← data | Moves immediate data d ₀ -d ₇ into the accumulator. | 23 | 0 | 0 | 1 | 0 | 0 | 0 | 0 | 1 | 1 | 1 | 1 | 2 | 2 |
| MOV A, Rr | (A) ← (Rr); r = 0-7 | Moves the contents of register Rr into the accumulator. | Fn(4) | 1 | 1 | 1 | 1 | 1 | 1 | 1 | r | r | r | 1 | 1 | 1 |
| MOV A, @ Rr | (A) ← ((Rr)); r = 0-1 | Moves the contents of internal data memory specified by bits 0-5 in register Rr into the accumulator. | Fn(4) | 1 | 1 | 1 | 1 | 1 | 0 | 0 | 0 | 0 | r | 1 | 1 | 1 |
| MOV A, PSW | (A) ← (PSW) | Moves the contents of the program status word into the accumulator. | C7 | 1 | 1 | 0 | 0 | 0 | 0 | 1 | 1 | 1 | 1 | 1 | 1 | 1 |
| MOV Rr, # data | (Rr) ← data; r = 0-7 | Moves immediate data d ₀ -d ₇ into register Rr. | Bn(4) | 1 | 0 | 1 | 1 | 1 | 1 | r | r | r | d ₀ | 2 | 2 | 2 |
| MOV Rr, A | (Rr) ← (A); r = 0-7 | Moves the contents of the accumulator into register Rr. | An(4) | 1 | 0 | 1 | 0 | 1 | 0 | 1 | r | r | r | 1 | 1 | 1 |
| MOV @ Rr, A | ((Rr)) ← (A); r = 0-1 | Moves the contents of the accumulator into the data memory location specified by bits 0-5 in register Rr. | An(4) | 1 | 0 | 1 | 0 | 0 | 0 | 0 | 0 | 0 | r | 1 | 1 | 1 |
| MOV @ Rr, # data | ((Rr)) ← data; r = 0-1 | Moves immediate data d ₀ -d ₇ into the data memory location specified by bits 0-5 in register Rr. | Bn(4) | 1 | 0 | 1 | 1 | 1 | 0 | 0 | 0 | 0 | r | 2 | 2 | 2 |

Instruction Set (cont)

| Mnemonic | Function | Description | Hex Code | Operation Code | | | | | | | | Cycles | Bytes |
|--------------------------|---|---|----------|----------------|----------------|----------------|----------------|----------------|----------------|----------------|----------------|--------|-------|
| | | | | D ₇ | D ₆ | D ₅ | D ₄ | D ₃ | D ₂ | D ₁ | D ₀ | | |
| Data Moves (cont) | | | | | | | | | | | | | |
| MOV PSW, A | (PSW) ← (A) | Moves the contents of the accumulator into the program status word. | D7 | 1 | 1 | 0 | 1 | 0 | 1 | 1 | 1 | 1 | 1 |
| MOV A, @A | (PC ₀ -PC ₇) ← (A) (A) ← ((PC)) | Moves the contents of the program memory location specified by PC ₃ -PC ₁₁ concatenated with the contents of the accumulator, into the accumulator. | A3 | 1 | 0 | 1 | 0 | 0 | 0 | 1 | 1 | 2 | 1 |
| MOV P3 A, @A | (PC ₀ -PC ₇) ← (A) (PC ₈ -PC ₁₁) ← 001 (A) ← ((PC)) | Moves the contents of the program memory location specified by 0011(PC ₈ -PC ₁₁ , page 3 of program memory bank 0) and the contents of the accumulator, into the accumulator. | E3 | 1 | 1 | 1 | 0 | 0 | 0 | 1 | 1 | 2 | 1 |
| MOV X A, @ R | (A) ← ((Rr)); r = 0-1 | Moves the contents of the external data memory location specified by register Rr, into the accumulator. | 8n(4) | 1 | 0 | 0 | 0 | 0 | 0 | 0 | r | 2 | 1 |
| MOV X @ R, A | ((Rr)) ← (A); r = 0-1 | Moves the contents of the accumulator into the external data memory location specified by register Rr. | 9n(4) | 1 | 0 | 0 | 1 | 0 | 0 | 0 | r | 2 | 1 |
| XCH A, Rr | (A) ↔ (Rr); r = 0-7 | Exchanges the contents of the accumulator and register Rr. | 2n(4) | 0 | 0 | 1 | 0 | 1 | r | r | r | 1 | 1 |
| XCH A, @ Rr | (A) ↔ ((Rr)); r = 0-1 | Exchanges the contents of the accumulator and the contents of the data memory location specified by bits 0-5 in register Rr. | 2n(4) | 0 | 0 | 1 | 0 | 0 | 0 | 0 | r | 1 | 1 |
| XCHD A, @ Rr | (A ₀ -A ₃) ↔ ((Rr)) ₀ -((Rr)) ₃ ; r = 0-1 | Exchanges the contents of the lower 4 bits of the accumulator with the contents of the lower 4 bits of the internal data memory location specified by bits 0-5 in register Rr. | 3n(4) | 0 | 0 | 1 | 1 | 0 | 0 | 0 | r | 1 | 1 |
| Flags | | | | | | | | | | | | | |
| CPL C | (C) ← (C̄) | Takes the complement of the carry bit. | A7 | 1 | 0 | 1 | 0 | 0 | 1 | 1 | 1 | 1 | 1 |
| CPL F0 | (F0) ← (F0̄) | Takes the complement of flag 0. | 95 | 1 | 0 | 0 | 1 | 0 | 1 | 0 | 1 | 1 | 1 |
| CPL F1 | (F1) ← (F1̄) | Takes the complement of flag 1. | B5 | 1 | 0 | 1 | 1 | 0 | 1 | 0 | 1 | 1 | 1 |
| CLR C | (C) ← 0 | Clears the carry bit. | 97 | 1 | 0 | 0 | 1 | 0 | 1 | 1 | 1 | 1 | 1 |
| CLR F0 | (F0) ← 0 | Clears flag 0. | 85 | 1 | 0 | 0 | 0 | 0 | 1 | 0 | 1 | 1 | 1 |
| CLR F1 | (F1) ← 0 | Clears flag 1. | A5 | 1 | 0 | 1 | 0 | 0 | 1 | 0 | 1 | 1 | 1 |

Instruction Set (cont)

| Mnemonic | Function | Description | Hex Code | Operation Code | | | | | | | | Cycles | Bytes |
|-----------------------|--|---|----------|----------------|----|----|----|----|----|----|----|--------|-------|
| | | | | D7 | D6 | D5 | D4 | D3 | D2 | D1 | D0 | | |
| Input / Output | | | | | | | | | | | | | |
| ANL BUS, # data | (bus) ← (bus) AND data | Takes the logical AND of the contents of the bus and immediate data d ₀ -d ₇ , and sends the result to the bus. | 98 | 1 | 0 | 0 | 1 | 1 | 0 | 0 | 0 | 0 | 2 |
| ANL Pp, # data | (Pp) ← (Pp) AND data; p = 1-2 | Takes the logical AND of the contents of designated port Pp and immediate data d ₀ -d ₇ , and sends the result to port Pp for output. | 9n(5) | 1 | 0 | 0 | 1 | 1 | 0 | 0 | p | p | 2 |
| ANLD Pp, A | (Pp) ← (Pp) AND (A ₀ -A ₃); p = 4-7 | Takes the logical AND of the contents of designated port Pp and the lower 4 bits of the accumulator, and sends the result to port Pp for output. | 9n(5) | 1 | 0 | 0 | 1 | 1 | 1 | 1 | p | p | 2 |
| IN A, Pp | (A) ← (Pp); p = 1-2 | Loads the accumulator with the contents of designated port Pp. | 0n(5) | 0 | 0 | 0 | 0 | 1 | 0 | 0 | p | p | 2 |
| INS A, BUS | (A) ← (bus) | Loads the contents of the bus into the accumulator on the rising edge of RD. | 08 | 0 | 0 | 0 | 0 | 1 | 0 | 0 | 0 | 0 | 2 |
| MOVD A, Pp | (A ₀ -A ₃) ← (Pp); p = 4-7 (A ₄ -A ₇) ← 0 | Moves the contents of designated port Pp to the lower 4 bits of the accumulator, and clears the upper 4 bits. | 0n(5) | 0 | 0 | 0 | 0 | 1 | 1 | 1 | p | p | 2 |
| MOVD Pp, A | (Pp) ← (A ₀ -A ₃); p = 4-7 | Moves the lower 4 bits of the accumulator to designated port Pp. The upper 4 bits of the accumulator are not changed. | 3n(5) | 0 | 0 | 1 | 1 | 1 | 1 | 1 | p | p | 2 |
| ORL BUS, # data | (bus) ← (bus) OR data | Takes the logical OR of the contents of the bus and immediate data d ₀ -d ₇ , and sends the result to the bus. | 88 | 1 | 0 | 0 | 0 | 1 | 0 | 0 | 0 | 0 | 2 |
| ORLD Pp, A | (Pp) ← (Pp) OR (A ₀ -A ₃); p = 4-7 | Takes the logical OR of the contents of designated port Pp and the lower 4 bits of the accumulator, and sends the result to port Pp for output. | 8n(5) | 1 | 0 | 0 | 0 | 1 | 1 | 1 | p | p | 2 |
| ORL Pp, # data | (Pp) ← (Pp) OR data; p = 1-2 | Takes the logical OR of the contents of designated port Pp and immediate data d ₀ -d ₇ , and sends the result to port Pp for output. | 9n(5) | 1 | 0 | 0 | 0 | 1 | 0 | 0 | p | p | 2 |
| OUTL BUS, A | (bus) ← (A) | Latches the contents of the accumulator onto the bus on the rising edge of WR. | 02 | 0 | 0 | 0 | 0 | 0 | 0 | 0 | 1 | 0 | 2 |
| OUTL Pp, A | (Pp) ← (A); p = 1-2 | Latches the contents of the accumulator into designated port Pp for output. | 3n(5) | 0 | 0 | 1 | 1 | 1 | 0 | 0 | p | p | 2 |
| Registers | | | | | | | | | | | | | |
| DEC Rr | (Rr) ← (Rr) - 1; r = 0-7 | Decrements the contents of register Rr by 1. | Cn(4) | 1 | 1 | 0 | 0 | 1 | r | r | r | r | 1 |
| INC Rr | (Rr) ← (Rr) + 1; r = 0-7 | Increments the contents of register Rr by 1. | 1n(4) | 0 | 0 | 0 | 1 | 1 | r | r | r | r | 1 |
| INC @ Rr | ((Rr)) ← ((Rr)) + 1; r = 0-1 | Increments by 1 the contents of the data memory location specified by bits 0-5 in register Rr. | 1n(4) | 0 | 0 | 0 | 1 | 0 | 0 | 0 | r | r | 1 |

Note: Never use the OUTL BUS instruction when using external program memory, as this will permanently latch the bus.

Instruction Set (cont)

| Mnemonic | Function | Description | Operation Code | | | | | | | | | | | | | | | |
|------------------------|--|--|----------------|-----------------|----------------|----------------|----------------|----------------|----------------|----------------|----------------|--------|-------|---|---|---|---|---|
| | | | Hex Code | D ₇ | D ₆ | D ₅ | D ₄ | D ₃ | D ₂ | D ₁ | D ₀ | Cycles | Bytes | | | | | |
| Subroutine | | | | | | | | | | | | | | | | | | |
| CALL addr | $((SP)) \leftarrow (PC)$; (PSW_4-PSW_7) $(SP) \leftarrow (SP) + 1$ $(PC_8-PC_{10}) \leftarrow (addr_8-addr_{10})$ $(PC_0-PC_7) \leftarrow (addr_0-addr_7)$ $(PC_{11}) \leftarrow DBF$ | Stores the contents of the program counter and the upper 4 bits of the PSW in the address indicated by the stack pointer, and increments the contents of the stack pointer, calling the subroutine specified by address a ₀ -a ₁₀ and the DBF. | x4(6) | a ₁₀ | a ₉ | a ₈ | 1 | 0 | 1 | 0 | 0 | 0 | 0 | 0 | 0 | 0 | 2 | 2 |
| RET | $(SP) \leftarrow (SP) - 1$ $(PC) \leftarrow ((SP))$ | Decrements the contents of the stack pointer by 1 and stores, in the program counter, the contents of the location specified by the stack pointer, executing a return from subroutine without restoring the PSW. | 83 | 1 | 0 | 0 | 0 | 0 | 0 | 0 | 0 | 1 | 1 | 1 | 1 | 2 | 1 | 1 |
| RETR | $(SP) \leftarrow (SP) - 1$ $(PC) \leftarrow ((SP))$ $(PSW_4-PSW_7) \leftarrow ((SP))$ | Decrements the contents of the stack pointer by 1 and stores, in the program counter, the contents of the upper 4 bits of the PSW and the contents of the location specified by the stack pointer, executing a return from subroutine with restoration of the PSW. | 93 | 1 | 0 | 0 | 1 | 0 | 0 | 1 | 0 | 0 | 1 | 1 | 2 | 1 | 1 | 1 |
| Timer / Counter | | | | | | | | | | | | | | | | | | |
| EN TCNTI | | Enables internal interrupt of timer / event counter. If an overflow condition occurs, then an interrupt will be generated. | 25 | 0 | 0 | 1 | 0 | 0 | 1 | 0 | 0 | 1 | 0 | 1 | 1 | 1 | 1 | 1 |
| DIS TCNTI | | Disables internal interrupt of timer / event counter. | 35 | 0 | 0 | 1 | 1 | 0 | 1 | 0 | 1 | 0 | 1 | 1 | 1 | 1 | 1 | 1 |
| MOV A, T | $(A) \leftarrow (T)$ | Moves the contents of the timer / counter into the accumulator. | 42 | 0 | 1 | 0 | 0 | 0 | 0 | 0 | 1 | 0 | 1 | 0 | 1 | 1 | 1 | 1 |
| MOV T, A | $(T) \leftarrow (A)$ | Moves the contents of the accumulator into the timer / counter. | 62 | 0 | 1 | 1 | 0 | 0 | 0 | 0 | 1 | 0 | 1 | 0 | 1 | 1 | 1 | 1 |
| STOP TCNT | | Stops the operation of the timer / event counter. | 65 | 0 | 1 | 1 | 0 | 0 | 1 | 0 | 1 | 0 | 1 | 1 | 1 | 1 | 1 | 1 |
| STRT CNT | | Starts the event counter operation of the timer / counter when T1 changes from a low-level input to a high-level input. | 45 | 0 | 1 | 0 | 0 | 0 | 0 | 1 | 0 | 1 | 0 | 1 | 1 | 1 | 1 | 1 |
| STRT T | | Starts the timer operation of the timer / counter. The timer is incremented every 32 machine cycles. | 55 | 0 | 1 | 0 | 1 | 0 | 1 | 0 | 1 | 0 | 1 | 0 | 1 | 1 | 1 | 1 |
| Miscellaneous | | | | | | | | | | | | | | | | | | |
| NOP | | Uses one machine cycle without performing any operation. | 00 | 0 | 0 | 0 | 0 | 0 | 0 | 0 | 0 | 0 | 0 | 0 | 0 | 0 | 1 | 1 |

Instruction Set (cont)

Note:

- (1) Binary operation code designations r and p represent encoded values or the lowest-order bit value of specified registers and ports, respectively.
- (2) Execution of the ADD, ADDC, and DA instructions affect the carry flags, which are not shown in the respective function equations. These instructions set the carry flags when there is an overflow in the accumulator (the auxiliary carry flag is set when there is an overflow of bit 3 of the accumulator) and clear the carry flags when there is no overflow. Flags that are specifically addressed by flag instructions are shown in the function equations for those instructions.
- (3) References to addresses and data are specified in byte 1 and/or 2 in the opcode of the corresponding instruction.
- (4) The hex value of n for specific registers is as follows:
 - a) Direct addressing

| | | | |
|-----------|-----------|-----------|-----------|
| R0: n = 8 | R2: n = A | R4: n = C | R6: n = E |
| R1: n = 9 | R3: n = B | R5: n = D | R7: n = F |
 - b) Indirect addressing

| | |
|-------------|-------------|
| @ R0: n = 0 | @ R1: n = 1 |
|-------------|-------------|
- (5) The hex value of n for specific ports is as follows:

| | | |
|-----------|-----------|-----------|
| P1: n = 9 | P4: n = C | P6: n = E |
| P2: n = A | P5: n = D | P7: n = F |
- (6) The hex value of x for specific accumulator or address bits is as follows:
 - a) JBB instruction

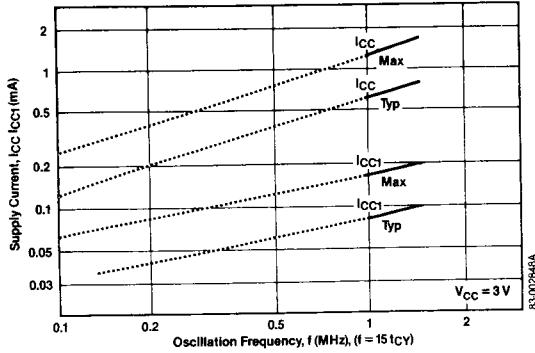
| | | | |
|------------------------|------------------------|------------------------|------------------------|
| B ₀ : x = 1 | B ₂ : x = 5 | B ₄ : x = 9 | B ₆ : x = D |
| B ₁ : x = 3 | B ₃ : x = 7 | B ₅ : x = B | B ₇ : x = F |
 - b) JMP instruction

| | | | |
|---------------|---------------|---------------|---------------|
| Page 0: x = 0 | Page 2: x = 4 | Page 4: x = 8 | Page 6: x = C |
| Page 1: x = 2 | Page 3: x = 6 | Page 5: x = A | Page 7: x = E |
 - c) CALL instruction

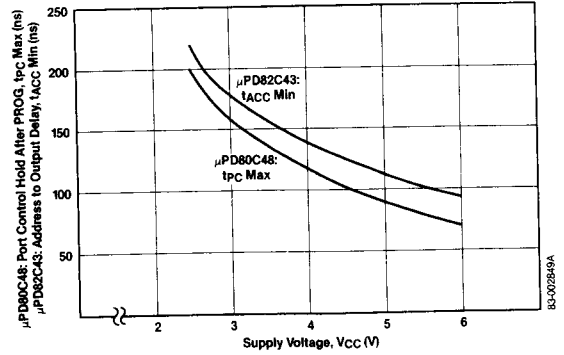
| | | | |
|---------------|---------------|---------------|---------------|
| Page 0: x = 1 | Page 2: x = 5 | Page 4: x = 9 | Page 6: x = D |
| Page 1: x = 3 | Page 3: x = 7 | Page 5: x = B | Page 7: x = F |

Operating Characteristics

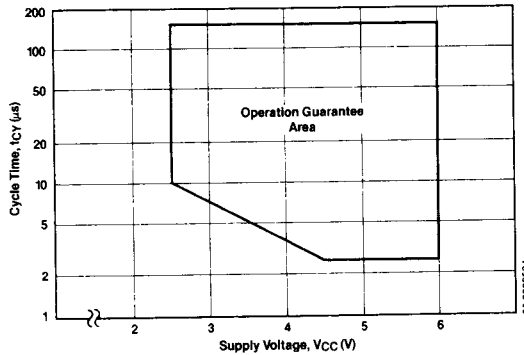
Supply Current vs. Oscillation Frequency



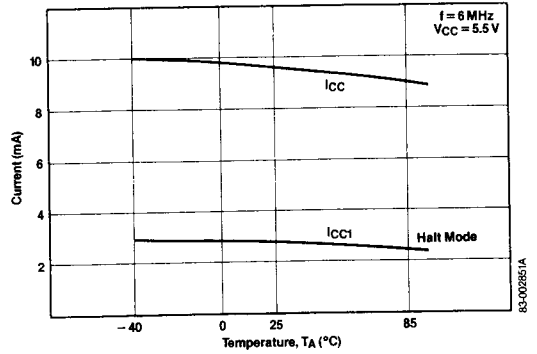
Port Control Hold After PROG, t_{PC} Max (μPD80C48), and Address to Output Delay, t_{ACC} Min (μPD82C43), vs. Supply Voltage



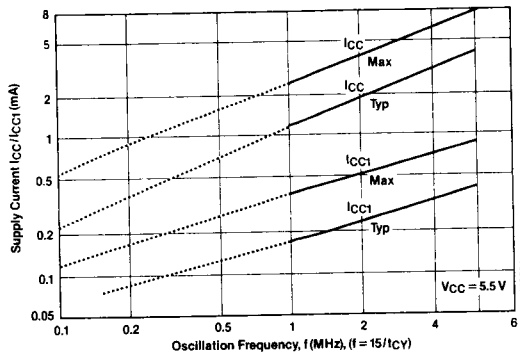
Cycle Time vs. Supply Voltage



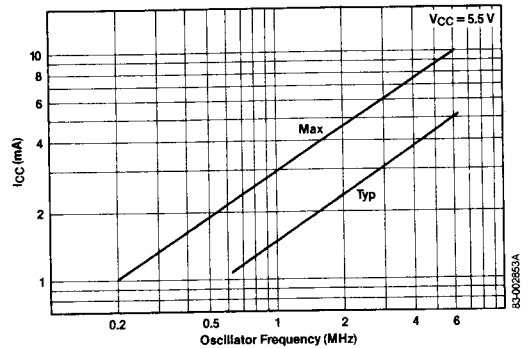
Current Consumption as a Function of Temperature — Normal Operating Mode



Supply Current vs. Oscillation Frequency



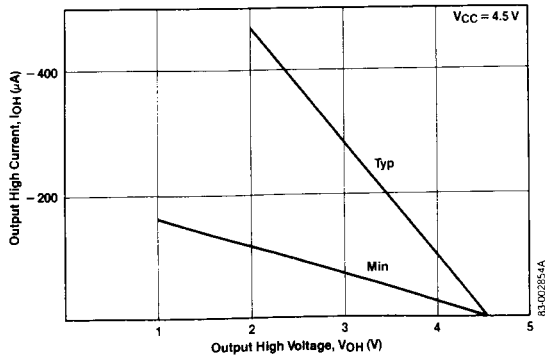
Current Consumption as a Function of Operating Frequency — Normal Operating Mode



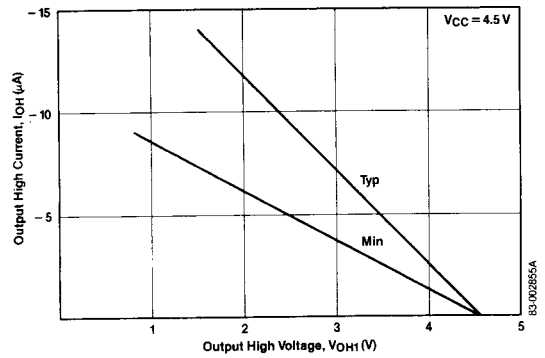
Note: External oscillation is for frequency less than 1 MHz. Internal oscillation requires more power.

Operating Characteristics (cont)

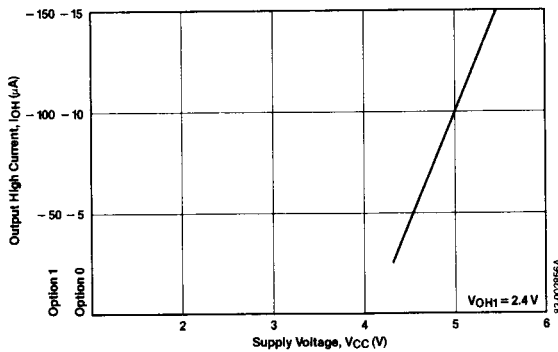
Output High Current vs. Output High Voltage



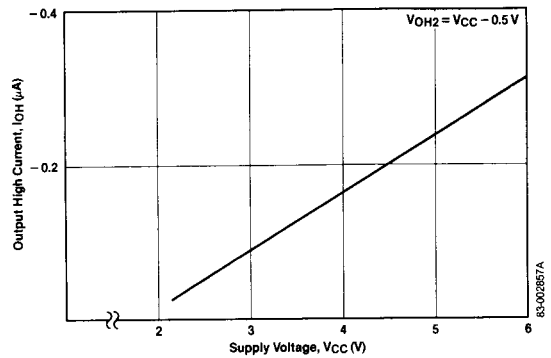
Output High Current vs. Output High Voltage



Output High Current vs. Supply Voltage

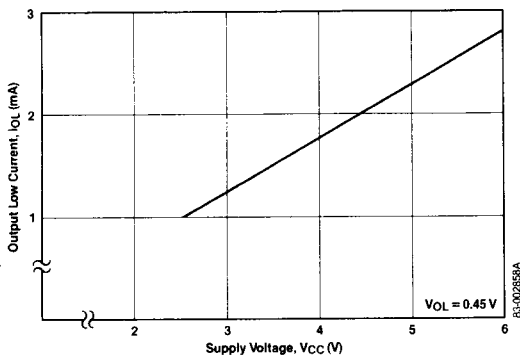


Output High Current vs. Supply Voltage

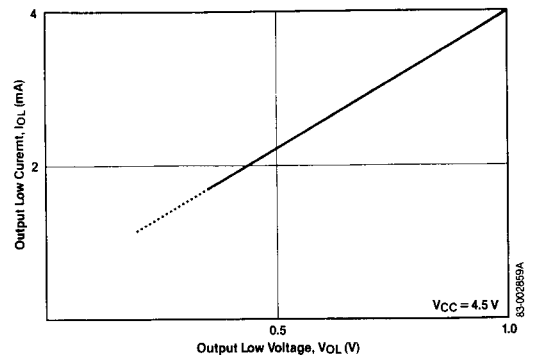


4

Output Low Current vs. Supply Voltage



Output Low Current vs. Output Low Voltage



Operating Characteristics (cont)

Current Consumption as a Function of Temperature — Stop Mode

