

μ A747 Series – Dual Operational Amplifier

GENERAL DESCRIPTION

The 747 is a pair of high performance monolithic operational amplifiers constructed on a single silicon chip. High common mode voltage range and absence of "latch-up" make the 747 ideal for use as a voltage follower. The high gain and wide range of operating voltage provides superior performance in integrator, summing amplifier, and general feedback applications. The 747 is short-circuit protected and requires no external components for frequency compensation. The internal 6dB/octave roll-off insures stability in closed loop applications. For single amplifier performance, see μ A741 data sheet.

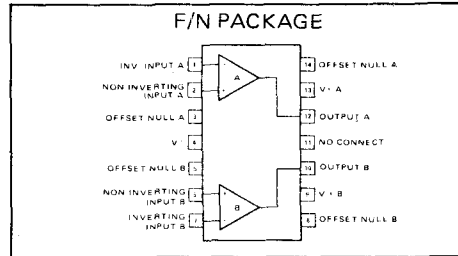
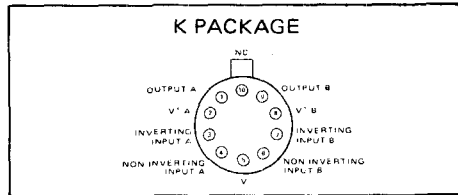
FEATURES

- No frequency compensation required
- Short-circuit protection
- Offset voltage null capability
- Large common-mode and differential voltage ranges
- Low power consumption
- No latch-up

MAXIMUM RATINGS

PARAMETER	RATING	UNIT
Supply voltage		
μ A747	± 22	V
μ A747C	± 18	V
SA747C	± 18	V
Internal power dissipation		
Metal can	500	mW
DIP	670	mW
Differential input voltage	± 30	V
Input voltage	± 15	V
Voltage between offset null and V-	± 0.5	V
Storage temperature range	-65 to $+155$	$^{\circ}$ C
Operating temperature range		
μ A747	-55 to $+125$	$^{\circ}$ C
μ A747C	0 to $+70$	$^{\circ}$ C
SA747C	-40 to $+85$	$^{\circ}$ C
Lead temperature (soldering, 60 sec)	300	$^{\circ}$ C
Output short-circuit duration	indefinite	

CONNECTION DIAGRAM

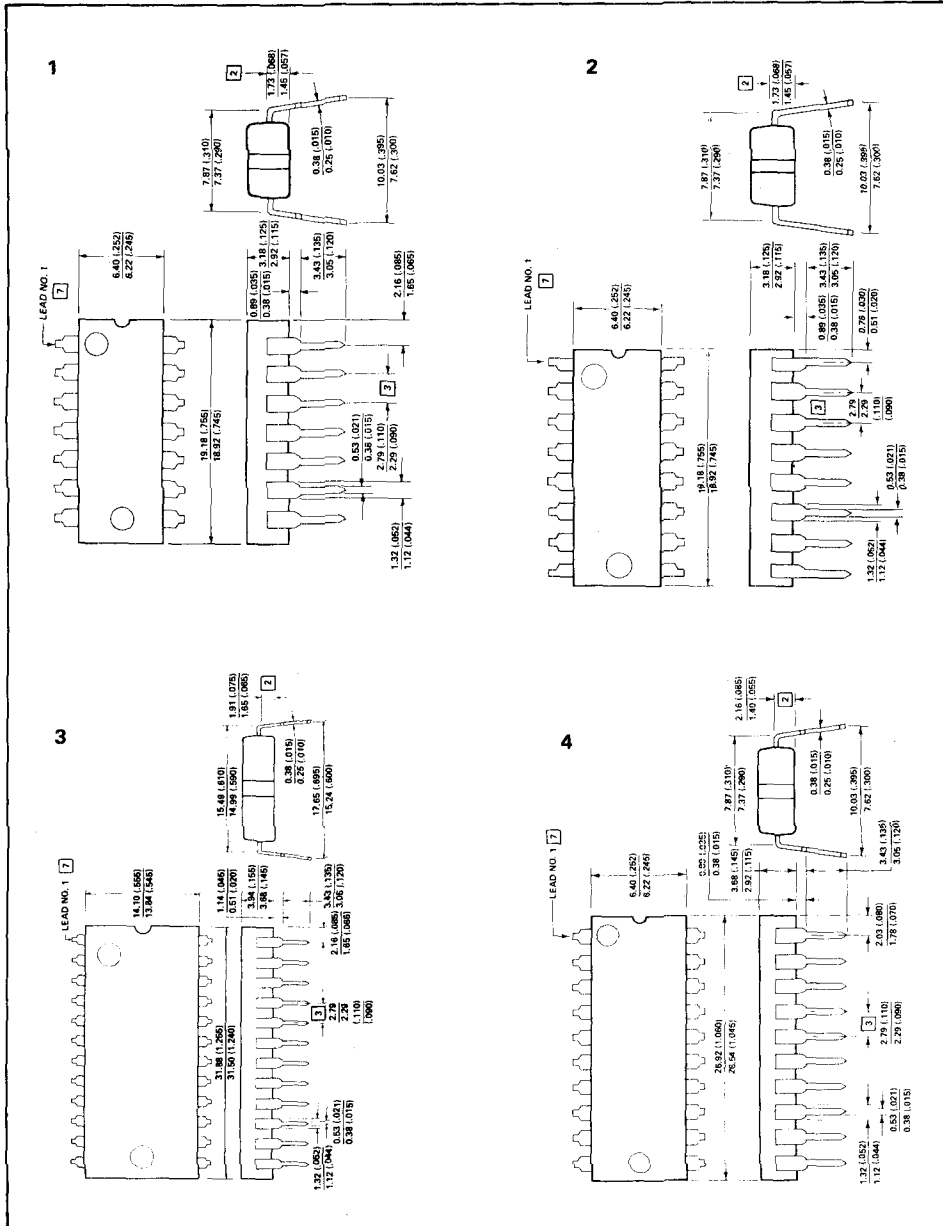


REFERENCE TABLE

TYPE NO.	STOCK NO.	OUTLINE DRWG. NO.
μ A747F	55968X	1
μ A747K	55969R	9
μ A747CK	55970A	9
μ A747CN	55971X	1

PLEASE QUOTE STOCK NO.
AND MANUFACTURERS PART NO. WHEN ORDERING





PLEASE QUOTE STOCK NO.
AND MANUFACTURERS PART NO. WHEN ORDERING



Signetics

Outline Drawings



GEMINI

FOR CURRENT PRICES PHONE
HARLOW (0279) 29644

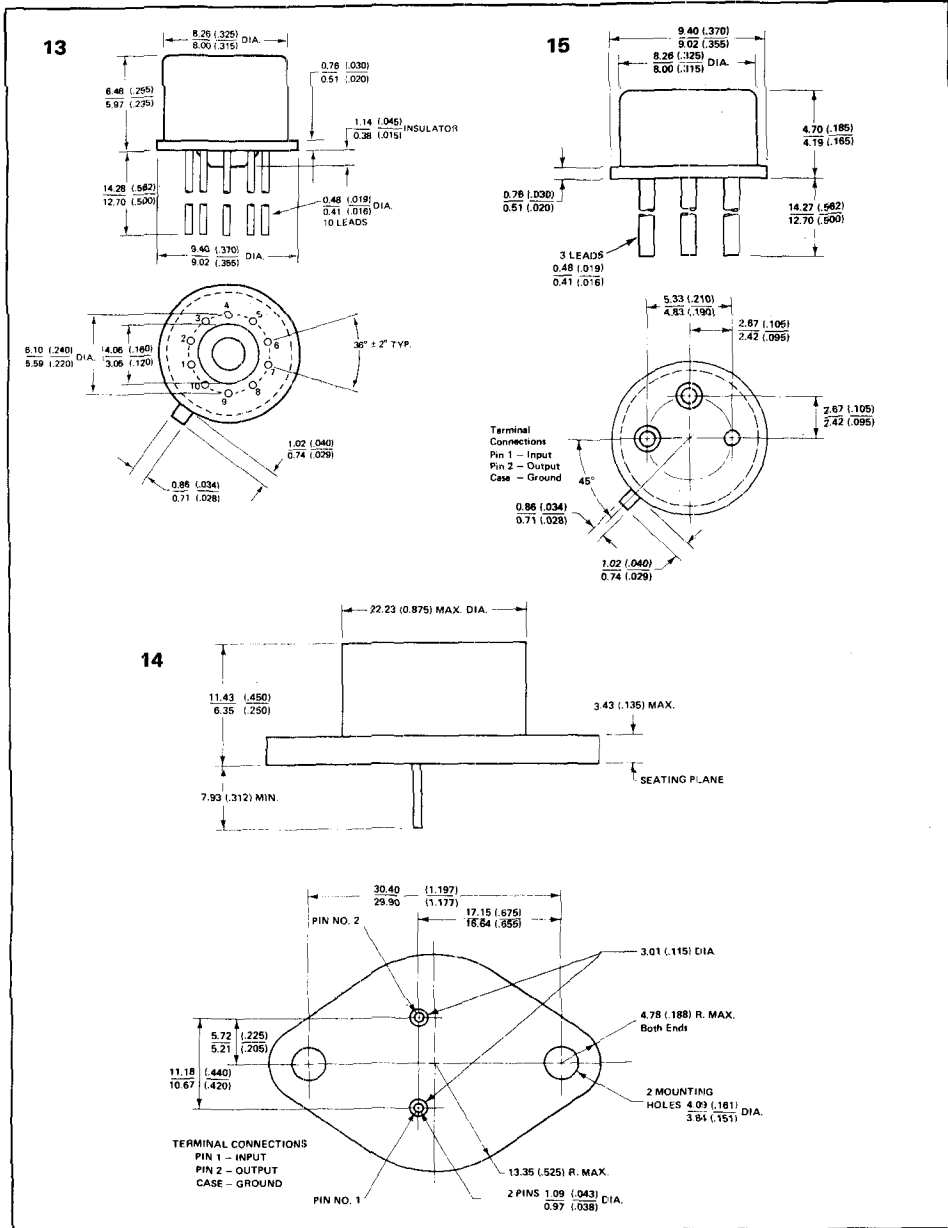


PLEASE QUOTE STOCK NO.
AND MANUFACTURERS PART NO. WHEN ORDERING

ITT GEMINI

Signetics

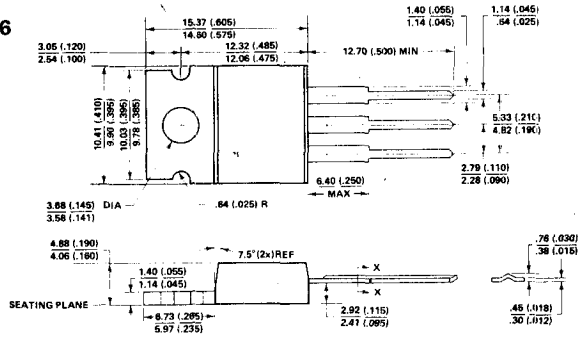
Outline Drawings



ITT GEMINI

FOR CURRENT PRICES PHONE
HARLOW (0279) 29644

16



17



19



PLEASE QUOTE STOCK NO.
AND MANUFACTURER PART NO. WHEN ORDERING

TTT GEMINI

