

NOTES:

- 1 THESE CONNECTORS ARE DESIGNED TO MEET MIL-C-83503 SPECIFICATION.
- 2 No. 1 CONTACT POSITION LOCATOR.
- 3 FOR CATALOG NUMBER DESCRIPTION SEE CODE ORDER CHART.
- 4 POLARIZATION KEY SHOWN FOR REFERENCE ONLY. TO BE ORDERED SEPERATELY UNDER CATALOG No. 109-101831. POLARIZATION SLOTS PROVIDED AS FOLLOWS:
 - 4A SIZES 10 AND 14 ONE SLOT ON SIDE INDICATED.
 - 4B SIZES 16 THRU 64 TWO SLOTS.
- 5 LATCH OPTION (SEE CODE ORDER CHART) ARE AS FOLLOWS:
 0 = LATCH NOT REQUIRED
 1 = FOR USE WITH 61 AND 81 SERIES SOCKET CONNECTOR WITHOUT STRAIN RELIEF
 2 = FOR USE WITH 61 AND 81 SERIES SOCKET CONNECTOR WITH STRAIN RELIEF
 3 = FOR USE WITH 51 SERIES SOCKET CONNECTOR WITH OR WITHOUT STRAIN RELIEF
 4 = EJECTORS ONLY (TAB REMOVED).
- 6 CENTER POLARIZATION WINDOW NOT AVAILABLE ON SIZE 10.
- 7 SURFACE **L** ROUGHNESS TO BE 16 MICROINCHES MAXIMUM FOR LENGTH SHOWN.
- 8 4 DIGIT DATE CODE AND MANUFACTURING LOCATION CODE LOCATED APPROXIMATELY SHOWN.
- 9 DEVIATION 5146 REQUIRES COMPLETE CATALOG No. TO BE MARKED ON PART IN ADDITION TO DATE CODE.

REV	DESCRIPTION	BY DATE	APPD
T	REVISED PER ECR# 6461	RAS 09/07/80	WPM

SPECIFICATIONS
MATERIALS

- 1 Insulator — Polyester Thermoplastic, Glass Filled Rated UL 94V-0. Color: Natural
- 2 Contacts — Copper Alloy Finish: See Code Order Chart
- 3 Ejector Latch — Polyester Thermoplastic, Glass Filled Rated UL 94V-0. Color: Natural
- 4 Polarization Key — Polyester Thermoplastic, Glass Filled Rated UL 94V-0. Color: Natural

PERFORMANCE CHARACTERISTICS

Insulation resistance — 5,000 megohms minimum
 Current rating — 1 amp @ 70°C, fully loaded
 3 amp @ 20°C, fully loaded
 Operating temperature range — -55°C to +105°C
 Contact resistance — 8 milliohms maximum

Press-fit Contact

Max. Insertion Force (per contact) — 40 lbs/177.9 N
 Min. Retention Force (per contact) — 10 lbs/44.5 N

79 SERIES CODE ORDER CHART - (4-SIDED) HEADER

HEADERS — 79 ** Δ \blacktriangle \blacktriangle XXXX = FACTORY ASSIGNED DEVIATION No. [9]

STEP 1 SIZE

CODE **	A	B	D	E	F	G	H
10	1.26 32.0	1.10 27.9	.705 17.91	4	.400 10.16	4A	6
14	1.46 37.1	1.30 33.0	.905 22.99	6	.600 15.24	4A	.22 5.6
16	1.56 39.6	1.40 35.6	1.005 25.53	7	.700 17.78		.27 6.9
20	1.76 44.7	1.60 40.6	1.205 30.61	9	.900 22.86		.37 9.4
26	2.06 52.3	1.90 48.3	1.505 38.23	12	1.200 30.48		.52 13.2
30	2.26 57.4	2.10 53.3	1.705 43.31	14	1.400 35.56		.62 15.7
34	2.46 62.5	2.30 58.4	1.905 48.39	16	1.600 40.64	.15 3.8	.72 18.3
40	2.76 70.1	2.60 66.0	2.205 56.01	19	1.900 48.26		.87 22.1
50	3.26 82.8	3.10 78.7	2.705 68.71	24	2.400 60.96		1.12 28.4
60	3.76 95.5	3.60 91.4	3.205 81.41	29	2.900 73.66		1.37 34.8
64	3.96 100.6	3.80 96.5	3.405 86.49	31	3.100 78.74		1.47 37.3

STEP 5 INSULATOR METALLIZING

CODE	DESCRIPTION
BLANK	NONE
TA	Aluminium .000010 TO .000020 THK

STEP 4 CONTACT PLATING

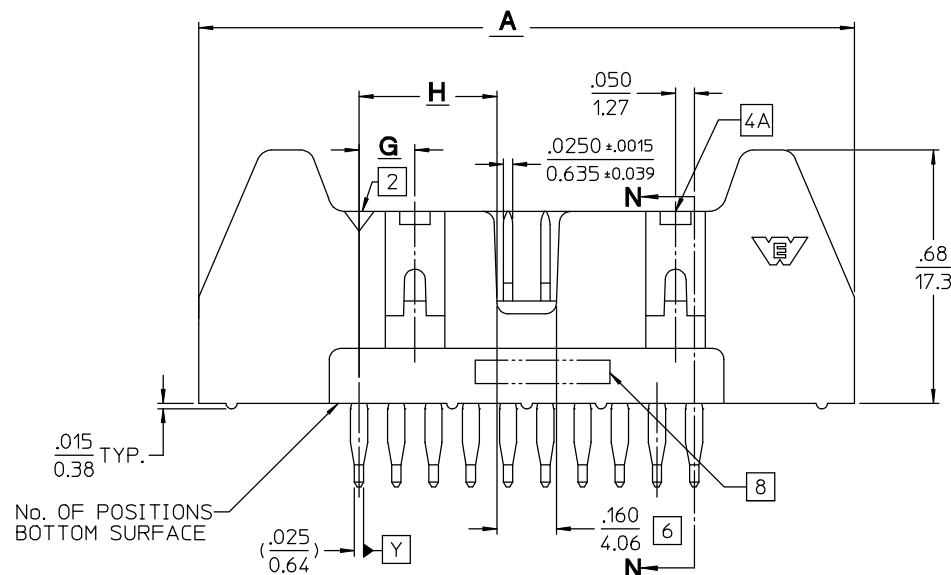
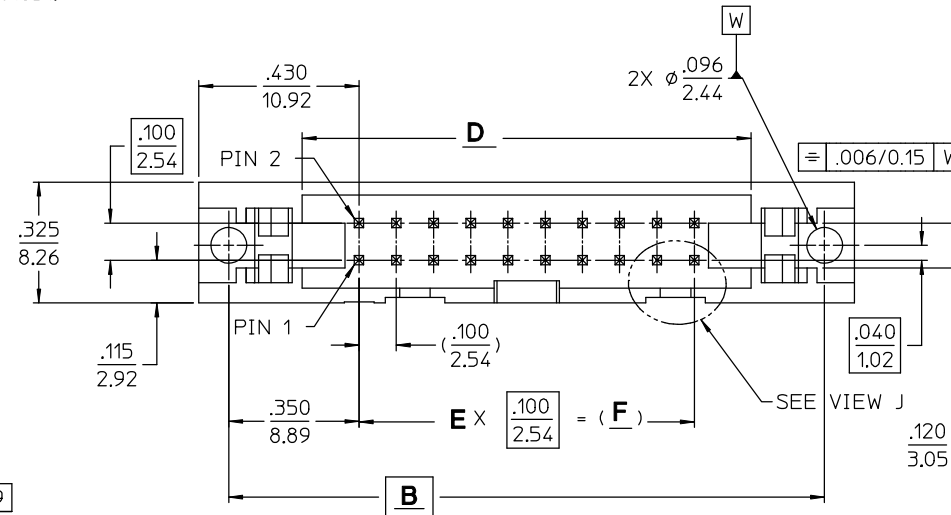
CODE	DESCRIPTION	TERMINATION
C	.000030 Gold over	Gold Flash
D	.000040 Nickel	Bright Solder
K	.000030 Gold over .000050 Nickel	Bright Solder

STEP 3 LATCH OPTIONS [5]

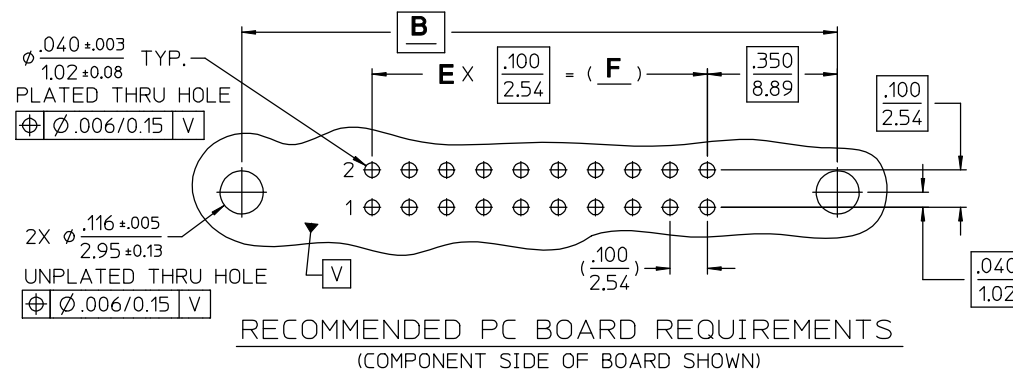
CODE	P	R	S	T	U
0	NO LATCHES				
1	.430 10.92	.29 7.4	.96 24.4	.080 2.04	.200 5.08
2	.573 14.55	.40 10.2	1.10 27.9	.080 2.04	.095 2.42
3	.463 11.76	.32 8.1	.99 25.1	.050 1.27	.060 1.53
4	----	.40 10.2	1.10 27.9	----	----

STEP 2 CONTACT OPTIONS

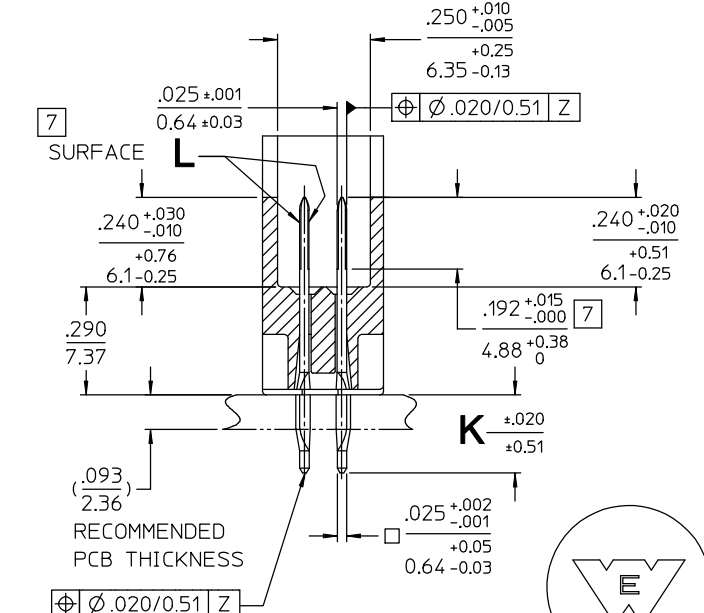
CODE	DESCRIPTION	CONTACT TYPE	K
1	FEED ON	C-PRESS®	.160 4.06
2	.025 ±.001 .635 ±.03	C-PRESS®	.555 14.10
3	SQ. WIRE WRAP		.685 17.40
6	FEED ON	C-PRESS®	.210 5.33
7	.025 SQUARE	SOLDER	.613 15.57
8	.025 SQUARE	SOLDER	.098 2.49
9	.025 SQUARE	SOLDER	.158 4.01



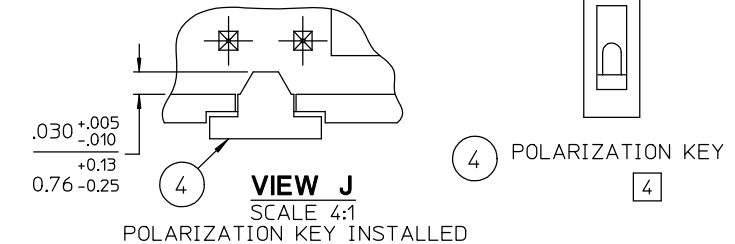
CATALOG No. 792060 Δ \blacktriangle \blacktriangle SHOWN



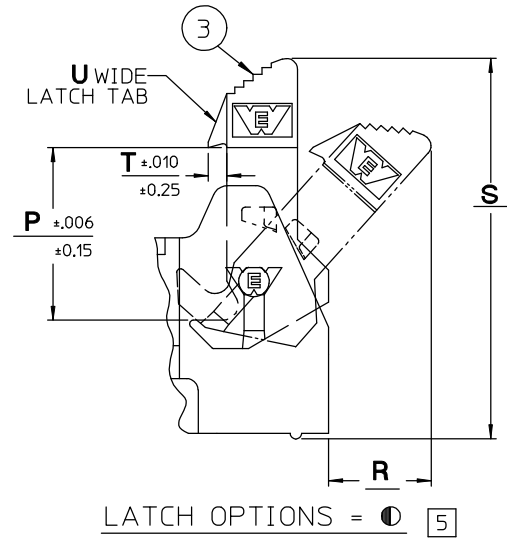
RECOMMENDED PC BOARD REQUIREMENTS
(COMPONENT SIDE OF BOARD SHOWN)



SECTION N-N



VIEW J
SCALE 4:1
POLARIZATION KEY INSTALLED



LATCH OPTIONS = [5]

PER ASME Y14.5M-1994
UNLESS OTHERWISE SPECIFIED:
DIMENSIONS ARE IN INCHES OR INCHES/MM

TOLERANCES:
DECIMALS .XX ± .02/0.5
XXX ± .007/0.18
ANGLES ± 2° SCALE: 2:1

Litton
Winchester
Reiconn
400 Park Road
Watertown, Connecticut
06795

TITLE
79 SERIES (4-SIDED) HEADER

CUSTOMER DRAWING

DRAWN DATE APPROVED DATE
J. GATZURAS 10-11-81 G.V. 2-11-82
APPROVED DATE APPROVED DATE
JAD 1/25/82

B 10366 SHT. 1 OF 1 REV. T