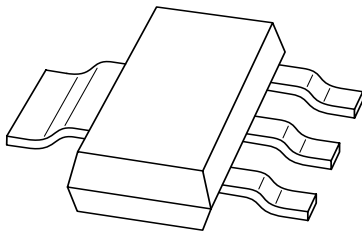


DATA SHEET



BCP68

**NPN medium power transistor;
20 V, 1 A**

Product data sheet
Supersedes data of 1999 Apr 08

2003 Nov 25

NPN medium power transistor; 20 V, 1 A

BCP68

FEATURES

- High current
- Two current gain selections
- 1.4 W total power dissipation.

APPLICATIONS

- Linear voltage regulators
- Low side switches
- Supply line switch for negative voltages
- MOSFET drivers
- Audio pre-amplifiers.

QUICK REFERENCE DATA

SYMBOL	PARAMETER	MIN.	MAX.	UNIT
V_{CEO}	collector-emitter voltage	–	20	V
I_C	collector current (DC)	–	1	A
I_{CM}	peak collector current	–	2	A
h_{FE}	DC current gain			
	BCP68	85	375	
	BCP68-25	160	375	

DESCRIPTION

NPN medium power transistor (see “Simplified outline, symbol and pinning”) for package details.

PRODUCT OVERVIEW

TYPE NUMBER	PACKAGE		MARKING CODE
	PHILIPS	EIAJ	
BCP68	SOT223	SC-73	BCP68
BCP68-25	SOT223	SC-73	BCP68/25

SIMPLIFIED OUTLINE, SYMBOL AND PINNING

TYPE NUMBER	SIMPLIFIED OUTLINE AND SYMBOL	PINNING	
		PIN	DESCRIPTION
BCP68	<p>Top view MAM287</p>	1 2 3 4	base collector emitter collector

RELATED PRODUCTS

TYPE NUMBER	DESCRIPTION	FEATURE
BCP69	PNP medium power transistor	PNP complement
BC868	NPN medium power transistor	SOT89, 20 V
BC368	NPN medium power transistor	SOT54, 20 V

NPN medium power transistor;
20 V, 1 A

BCP68

ORDERING INFORMATION

TYPE NUMBER	PACKAGE		
	NAME	DESCRIPTION	VERSION
BCP68	-	plastic surface mounted package; collector pad for good heat transfer; 4 leads	SOT223
BCP68-25			

LIMITING VALUES

In accordance with the Absolute Maximum Rating System (IEC 60134).

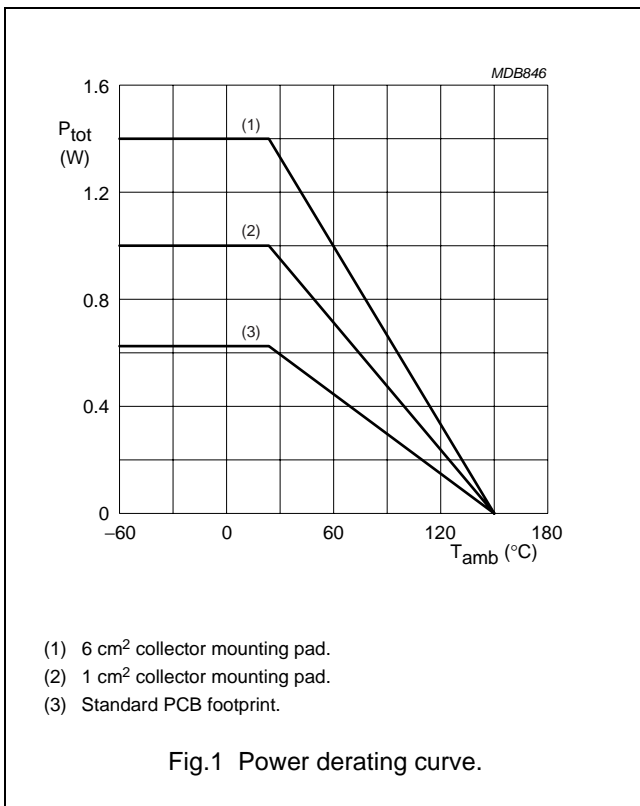
SYMBOL	PARAMETER	CONDITIONS	MIN.	MAX.	UNIT
V_{CBO}	collector-base voltage	open emitter	-	32	V
V_{CEO}	collector-emitter voltage	open base	-	20	V
V_{EBO}	emitter-base voltage	open collector	-	5	V
I_C	collector current (DC)		-	1	A
I_{CM}	peak collector current		-	2	A
I_{BM}	peak base current		-	200	mA
P_{tot}	total power dissipation	$T_{amb} \leq 25\text{ °C}$; notes 1 and 2	-	0.625	W
		$T_{amb} \leq 25\text{ °C}$; notes 1 and 3	-	1	W
		$T_{amb} \leq 25\text{ °C}$; notes 1 and 4	-	1.4	W
T_{stg}	storage temperature		-65	+150	°C
T_j	junction temperature		-	150	°C
T_{amb}	operating ambient temperature		-65	+150	°C

Notes

1. See SOT223 (SC-73) standard mounting conditions.
2. Device mounted on a FR4 printed-circuit board; single-sided copper; tinplated; standard footprint for SOT223.
3. Device mounted on a FR4 printed-circuit board; single-sided copper; tinplated; 1 cm² collector mounting pad.
4. Device mounted on a FR4 printed-circuit board; single-sided copper; tinplated; 6 cm² collector mounting pad.

NPN medium power transistor;
20 V, 1 A

BCP68



THERMAL CHARACTERISTICS

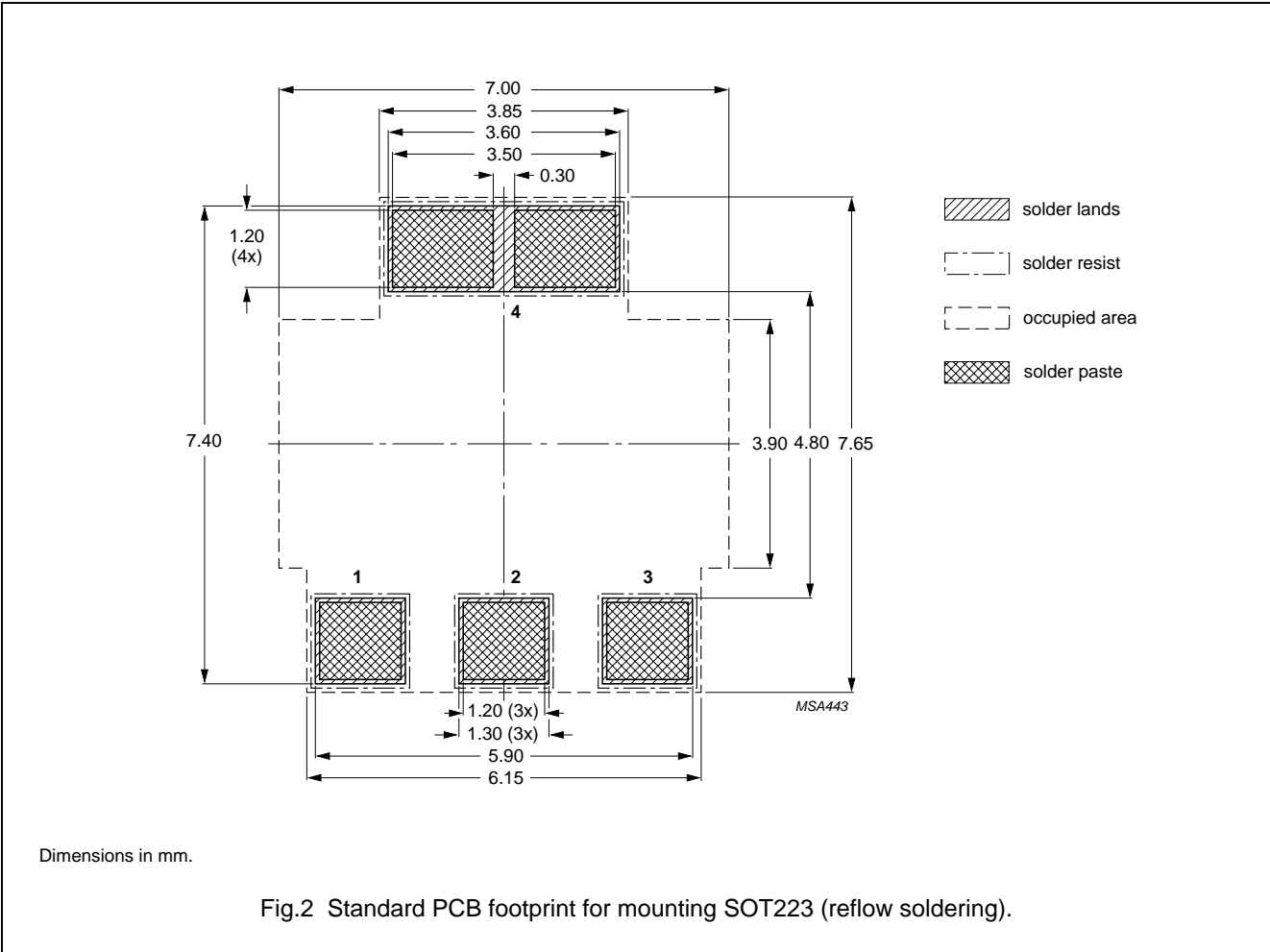
SYMBOL	PARAMETER	CONDITIONS	VALUE	UNIT
R _{th(j-a)}	thermal resistance from junction to ambient	T _{amb} ≤ 25 °C; notes 1 and 3	200	K/W
		T _{amb} ≤ 25 °C; notes 1 and 4	125	K/W
		T _{amb} ≤ 25 °C; notes 1 and 4	89	K/W
R _{th(j-s)}	thermal resistance from junction to solder point	T _{amb} ≤ 25 °C	15	K/W

Notes

1. See SOT223 (SC-73) standard mounting conditions.
2. Device mounted on a FR4 printed-circuit board; single-sided copper; tinplated; standard footprint for SOT223.
3. Device mounted on a FR4 printed-circuit board; single-sided copper; tinplated; 1 cm² collector mounting pad.
4. Device mounted on a FR4 printed-circuit board; single-sided copper; tinplated; 6 cm² collector mounting pad.

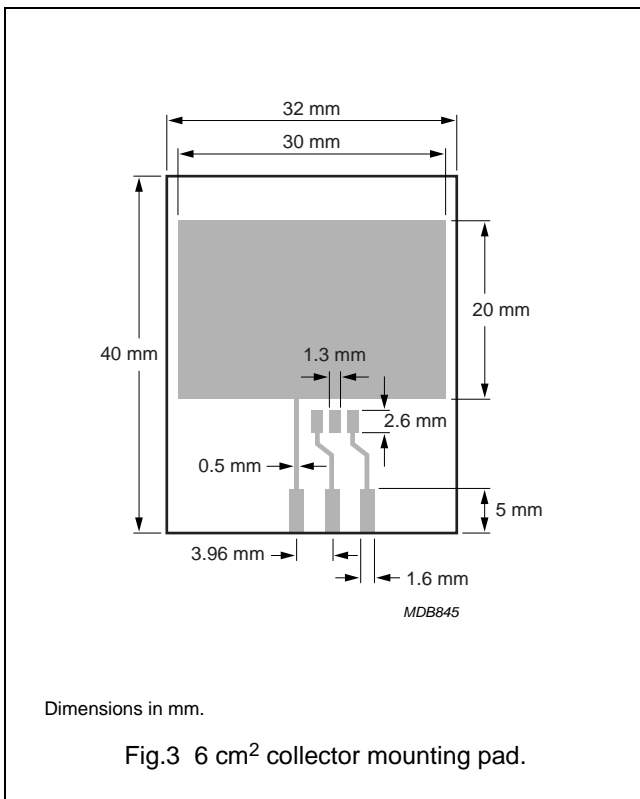
NPN medium power transistor;
20 V, 1 A

BCP68



NPN medium power transistor;
20 V, 1 A

BCP68



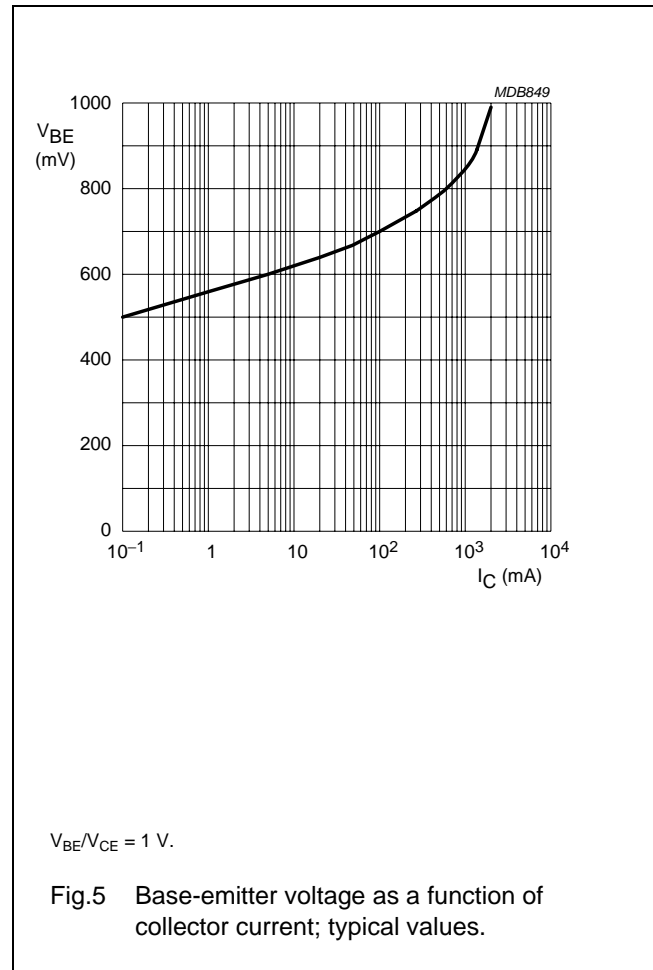
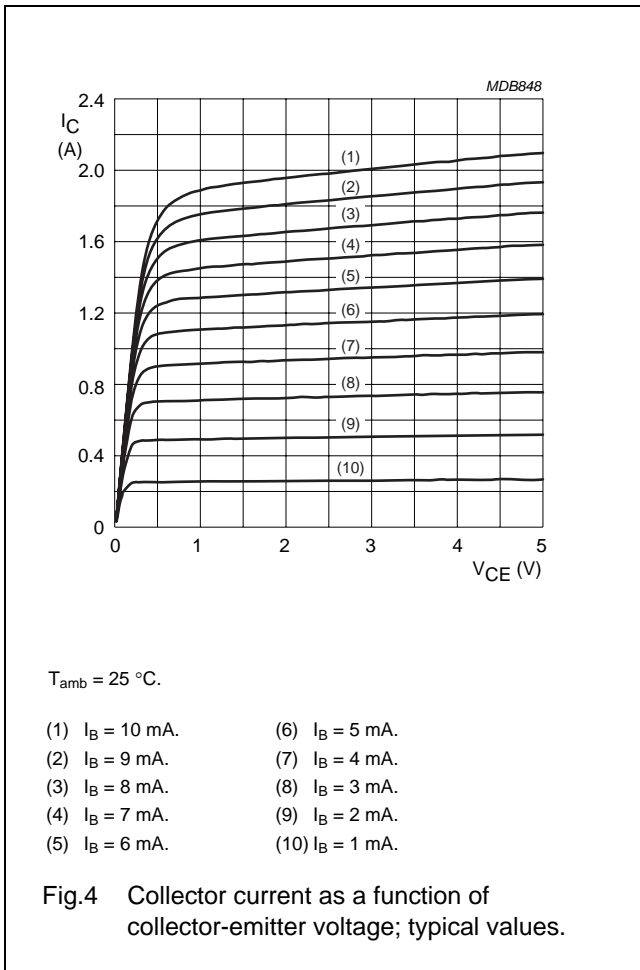
CHARACTERISTICS

T_{amb} = 25 °C unless otherwise specified.

SYMBOL	PARAMETER	CONDITIONS	MIN.	TYP.	MAX.	UNIT
I _{CBO}	collector-base cut-off current	V _{CB} = 25 V; I _E = 0	–	–	100	nA
		V _{CB} = 25 V; I _E = 0; T _j = 150 °C	–	–	10	μA
I _{EBO}	emitter-base cut-off current	V _{EB} = 5 V; I _C = 0	–	–	100	nA
h _{FE}	DC current gain	BCP68				
		V _{CE} = 10 V; I _C = 5 mA	50	–	–	
		V _{CE} = 1 V; I _C = 500 mA	85	–	375	
		V _{CE} = 1 V; I _C = 1 A	60	–	–	
V _{CEsat}	collector-emitter saturation voltage	I _C = 1 A; I _B = 100 mA	–	–	500	mV
		V _{CE} = 10 V; I _C = 5 mA	–	–	700	mV
V _{BE}	base-emitter voltage	V _{CE} = 1 V; I _C = 1 A	–	–	1	V
		V _{CE} = 10 V; I _C = 5 mA	–	–	1	V
C _c	collector capacitance	V _{CB} = 10 V; I _E = I _e = 0; f = 1 MHz	–	22	–	pF
f _T	transition frequency	V _{CE} = 5 V; I _C = 50 mA; f = 100 MHz	40	170	–	MHz

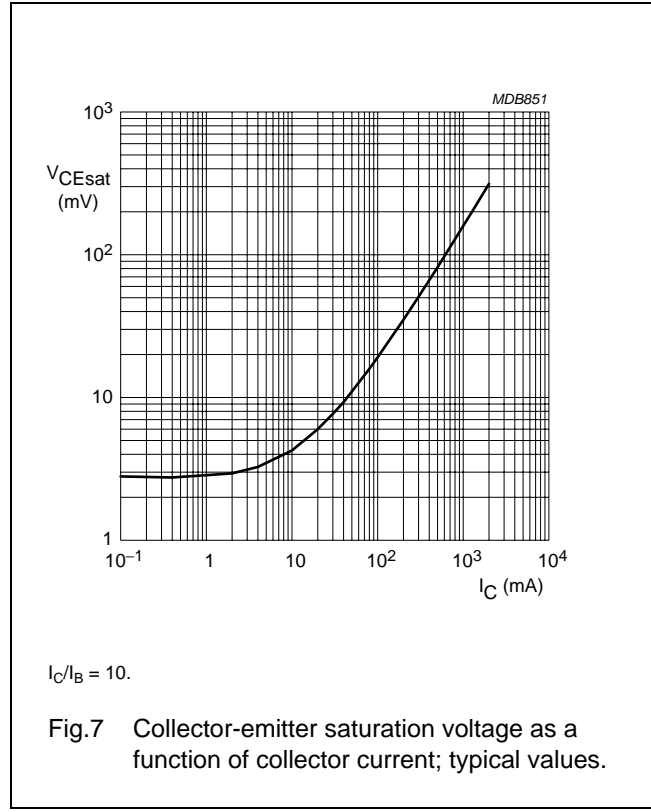
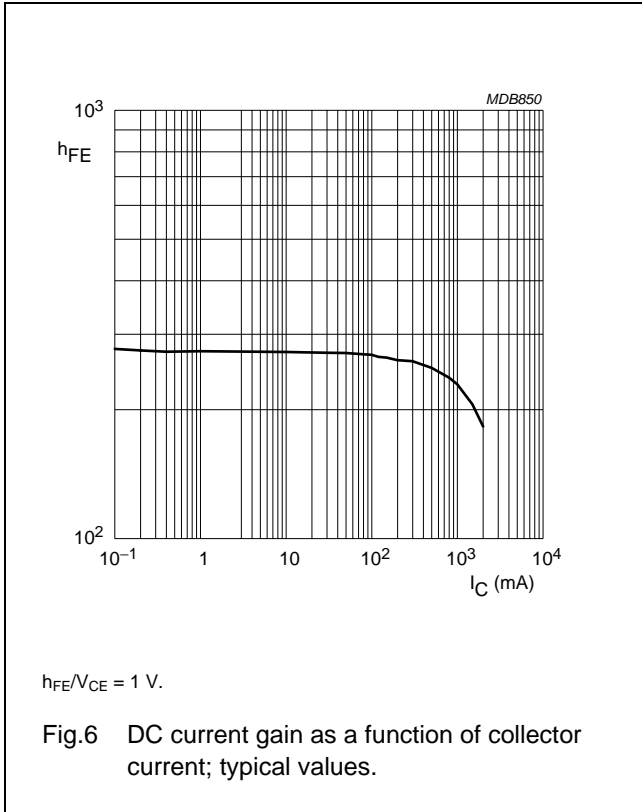
NPN medium power transistor;
20 V, 1 A

BCP68



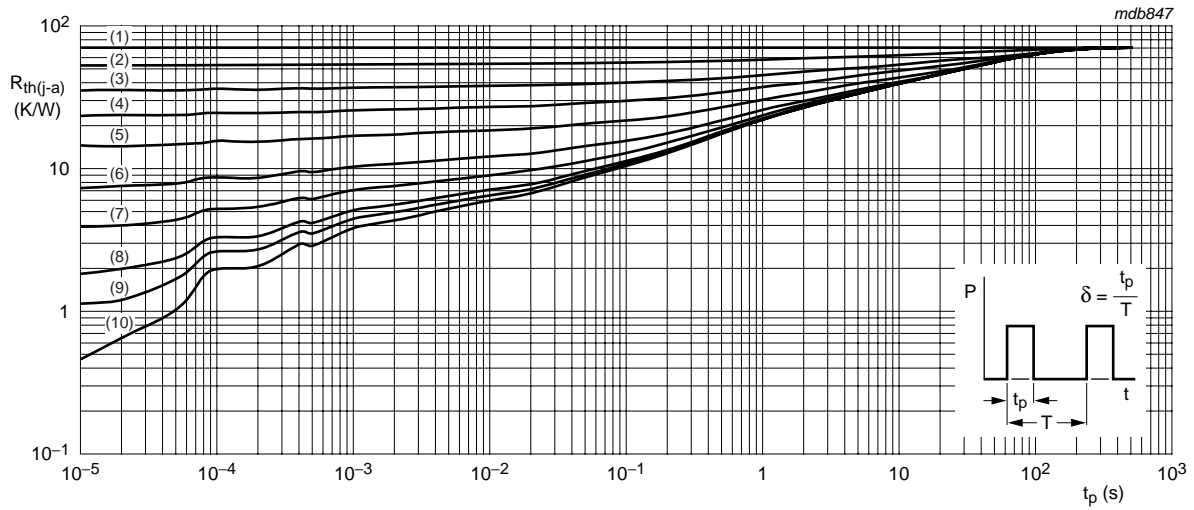
NPN medium power transistor;
20 V, 1 A

BCP68



NPN medium power transistor;
20 V, 1 A

BCP68



- | | | | | |
|----------------------|----------------------|---------------------|----------------------|----------------------|
| (1) $\delta = 1.0.$ | (3) $\delta = 0.5.$ | (5) $\delta = 0.2.$ | (7) $\delta = 0.05.$ | (9) $\delta = 0.01.$ |
| (2) $\delta = 0.75.$ | (4) $\delta = 0.33.$ | (6) $\delta = 0.1.$ | (8) $\delta = 0.02.$ | (10) $\delta = 0.0.$ |

Fig.8 Transient thermal resistance from junction to ambient as a function of pulse time for 6 cm² collector mounting pad.

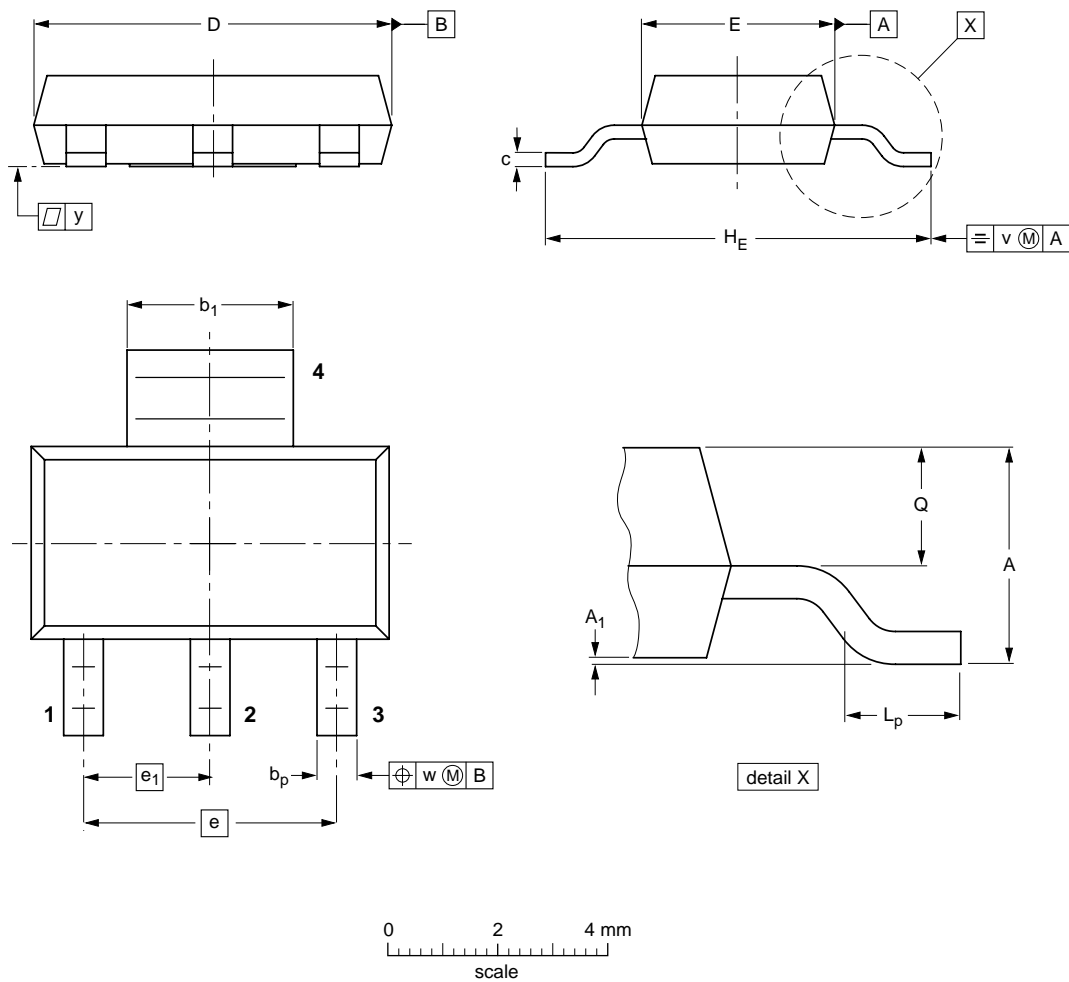
NPN medium power transistor;
20 V, 1 A

BCP68

PACKAGE OUTLINE

Plastic surface mounted package; collector pad for good heat transfer; 4 leads

SOT223



DIMENSIONS (mm are the original dimensions)

UNIT	A	A ₁	b _p	b ₁	c	D	E	e	e ₁	H _E	L _p	Q	v	w	y
mm	1.8	0.10	0.80	3.1	0.32	6.7	3.7	4.6	2.3	7.3	1.1	0.95	0.2	0.1	0.1
	1.5	0.01	0.60	2.9	0.22	6.3	3.3			6.7	0.7	0.85			

OUTLINE VERSION	REFERENCES				EUROPEAN PROJECTION	ISSUE DATE
	IEC	JEDEC	EIAJ			
SOT223			SC-73			97-02-28 99-09-13

**NPN medium power transistor;
20 V, 1 A**

BCP68

DATA SHEET STATUS

DOCUMENT STATUS⁽¹⁾	PRODUCT STATUS⁽²⁾	DEFINITION
Objective data sheet	Development	This document contains data from the objective specification for product development.
Preliminary data sheet	Qualification	This document contains data from the preliminary specification.
Product data sheet	Production	This document contains the product specification.

Notes

1. Please consult the most recently issued document before initiating or completing a design.
2. The product status of device(s) described in this document may have changed since this document was published and may differ in case of multiple devices. The latest product status information is available on the Internet at URL <http://www.nxp.com>.

DISCLAIMERS

General — Information in this document is believed to be accurate and reliable. However, NXP Semiconductors does not give any representations or warranties, expressed or implied, as to the accuracy or completeness of such information and shall have no liability for the consequences of use of such information.

Right to make changes — NXP Semiconductors reserves the right to make changes to information published in this document, including without limitation specifications and product descriptions, at any time and without notice. This document supersedes and replaces all information supplied prior to the publication hereof.

Suitability for use — NXP Semiconductors products are not designed, authorized or warranted to be suitable for use in medical, military, aircraft, space or life support equipment, nor in applications where failure or malfunction of an NXP Semiconductors product can reasonably be expected to result in personal injury, death or severe property or environmental damage. NXP Semiconductors accepts no liability for inclusion and/or use of NXP Semiconductors products in such equipment or applications and therefore such inclusion and/or use is at the customer's own risk.

Applications — Applications that are described herein for any of these products are for illustrative purposes only. NXP Semiconductors makes no representation or warranty that such applications will be suitable for the specified use without further testing or modification.

Limiting values — Stress above one or more limiting values (as defined in the Absolute Maximum Ratings System of IEC 60134) may cause permanent damage to the device. Limiting values are stress ratings only and operation of the device at these or any other conditions

above those given in the Characteristics sections of this document is not implied. Exposure to limiting values for extended periods may affect device reliability.

Terms and conditions of sale — NXP Semiconductors products are sold subject to the general terms and conditions of commercial sale, as published at <http://www.nxp.com/profile/terms>, including those pertaining to warranty, intellectual property rights infringement and limitation of liability, unless explicitly otherwise agreed to in writing by NXP Semiconductors. In case of any inconsistency or conflict between information in this document and such terms and conditions, the latter will prevail.

No offer to sell or license — Nothing in this document may be interpreted or construed as an offer to sell products that is open for acceptance or the grant, conveyance or implication of any license under any copyrights, patents or other industrial or intellectual property rights.

Export control — This document as well as the item(s) described herein may be subject to export control regulations. Export might require a prior authorization from national authorities.

Quick reference data — The Quick reference data is an extract of the product data given in the Limiting values and Characteristics sections of this document, and as such is not complete, exhaustive or legally binding.

NXP Semiconductors

Customer notification

This data sheet was changed to reflect the new company name NXP Semiconductors. No changes were made to the content, except for the legal definitions and disclaimers.

Contact information

For additional information please visit: **<http://www.nxp.com>**

For sales offices addresses send e-mail to: **salesaddresses@nxp.com**

© NXP B.V. 2009

All rights are reserved. Reproduction in whole or in part is prohibited without the prior written consent of the copyright owner.

The information presented in this document does not form part of any quotation or contract, is believed to be accurate and reliable and may be changed without notice. No liability will be accepted by the publisher for any consequence of its use. Publication thereof does not convey nor imply any license under patent- or other industrial or intellectual property rights.

Printed in The Netherlands

R75/04/pp12

Date of release: 2003 Nov 25

Document order number: 9397 750 12041

