

## Features

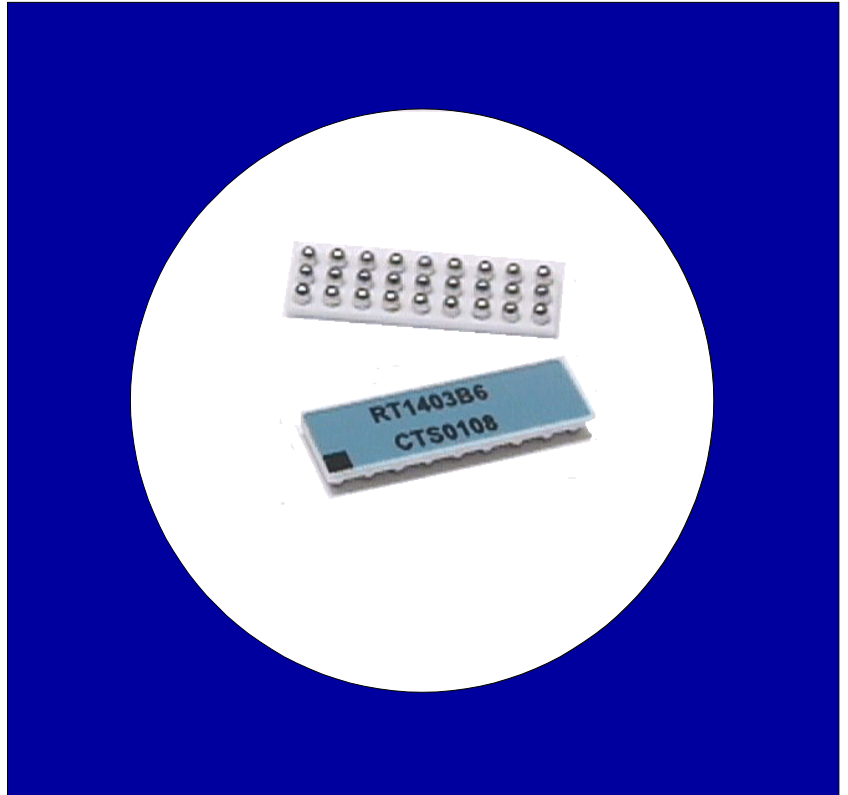
- 18 Bit SSTL-2 Termination Sets
- Compliant to JEDEC Std. 8-9
- Excellent High Frequency Performance
- Slim BGA Package
- 1% Resistor Tolerance
- Low Channel Capacitance

## Description

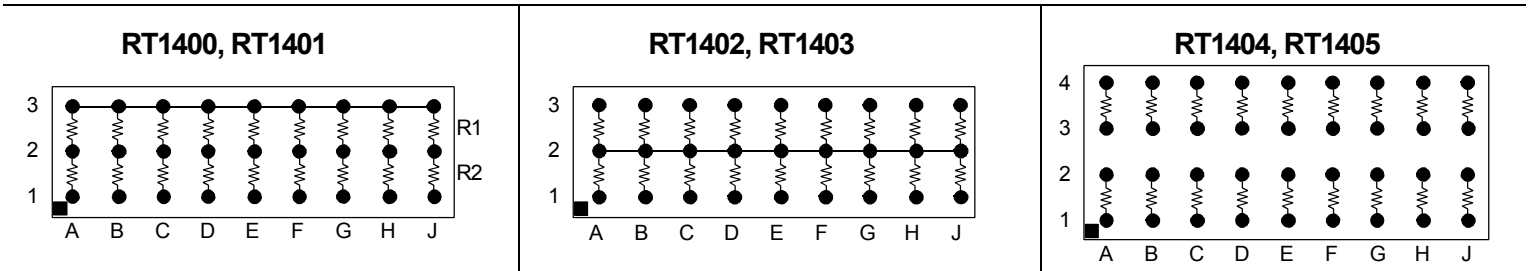
This SSTL-2 termination network provides high performance resistor termination for SSTL-2 Class I or Class II systems.

Designed with a ceramic substrate, this device virtually eliminates channel capacitance, a primary cause of reduced system performance. In addition, the BGA package eases routing design, saving the designer many hours of printed circuit layout.

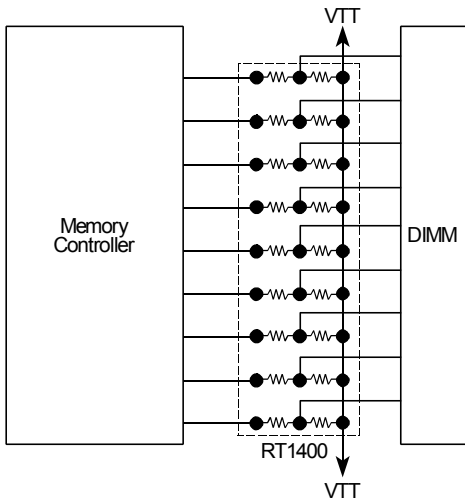
The BGA packaging has been proven to reduce rework and add reliability to the most sophisticated designs.



Custom resistor values and tolerances available upon request.



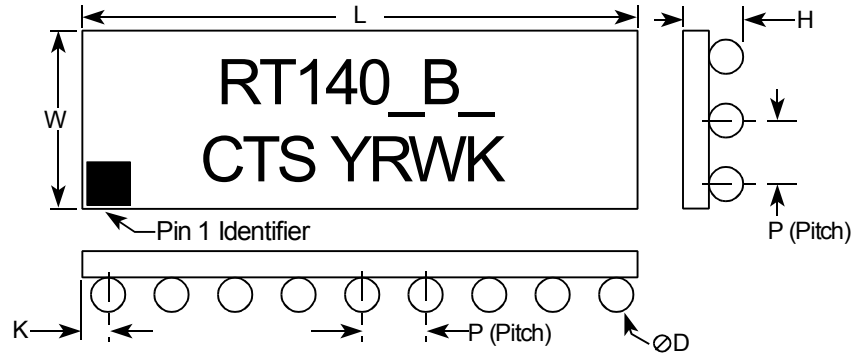
## Typical Application



## Ordering Information

Part Number	R1 ohms	R2 ohms	Array Size	Pitch(mm)
RT1400B6	50	25	3 x 9	1.27
RT1400B7	50	25	3 x 9	1.00
RT1401B6	25	22	3 x 9	1.27
RT1401B7	25	22	3 x 9	1.00
RT1402B6	50	-	3 x 9	1.27
RT1402B7	50	-	3 x 9	1.00
RT1403B6	25	-	3 x 9	1.27
RT1403B7	25	-	3 x 9	1.00
RT1404B6	25	-	4 x 9	1.27
RT1404B7	25	-	4 x 9	1.00
RT1405B6	22	-	4 x 9	1.27
RT1405B7	22	-	4 x 9	1.00

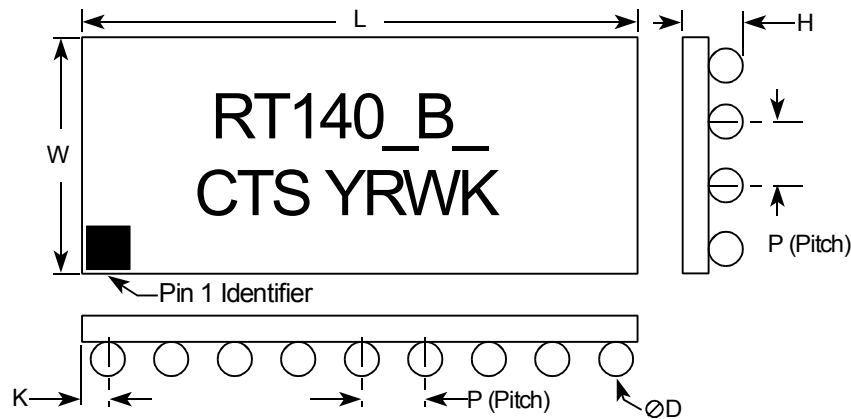
**3 x 9 Array**  
RT1400, RT1401, RT1402, RT1403



1.27 mm Pitch		L	W	H	P	D	K	Ball Co-planarity
RT1400B6	mm inch	11.43 ± 0.15	3.81 ± 0.15	1.32 ± .15	1.27 ± 0.25	0.76 ± 0.05	0.64 ± 0.25	0.15
RT1401B6		.450 ± .006	.150 ± .006	.052 ± .006	.050 ± .010	.030 ± .002	.025 ± .010	.006
RT1402B6								
RT1403B6								

1.00 mm Pitch		L	W	H	P	D	K	Ball Co-planarity
RT1400B7	mm inch	9.00 ± 0.15	3.00 ± 0.15	1.19 ± .15	1.00 ± 0.25	0.64 ± 0.05	0.50 ± 0.25	0.15
RT1401B7		.354 ± .006	.118 ± .006	.047 ± .006	.039 ± .010	.025 ± .002	.020 ± .010	.006
RT1402B7								
RT1403B7								

**4 x 9 Array**  
RT1404, RT1405

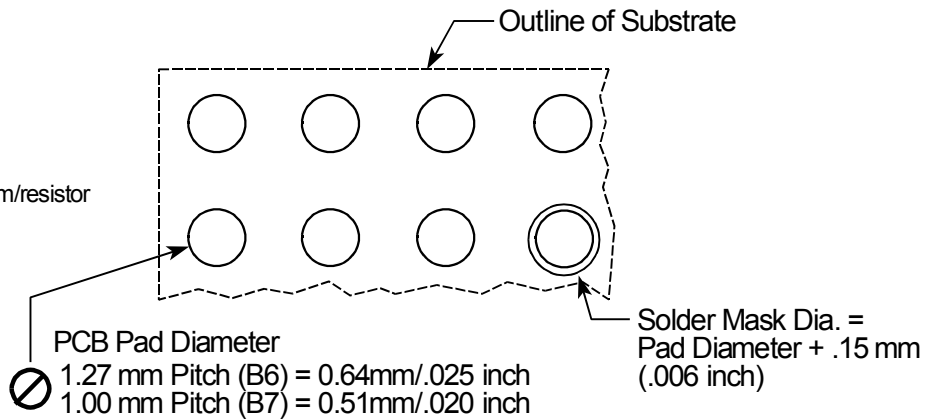


1.27 mm Pitch		L	W	H	P	D	K	Ball Co-planarity
RT1404B6	mm inch	11.43 ± 0.15	5.08 ± 0.15	1.32 ± .15	1.27 ± 0.25	0.76 ± 0.05	0.64 ± 0.25	0.15
RT1405B6		.450 ± .006	.200 ± .006	.052 ± .006	.050 ± .010	.030 ± .002	.025 ± .010	.006

1.00 mm Pitch		L	W	H	P	D	K	Ball Co-planarity
RT1404B7	mm inch	9.00 ± 0.15	4.00 ± 0.15	1.19 ± .15	1.00 ± 0.25	0.64 ± 0.05	0.50 ± 0.25	0.15
RT1405B7		.354 ± .006	.157 ± .006	.047 ± .006	.039 ± .010	.025 ± .002	.020 ± .010	.006

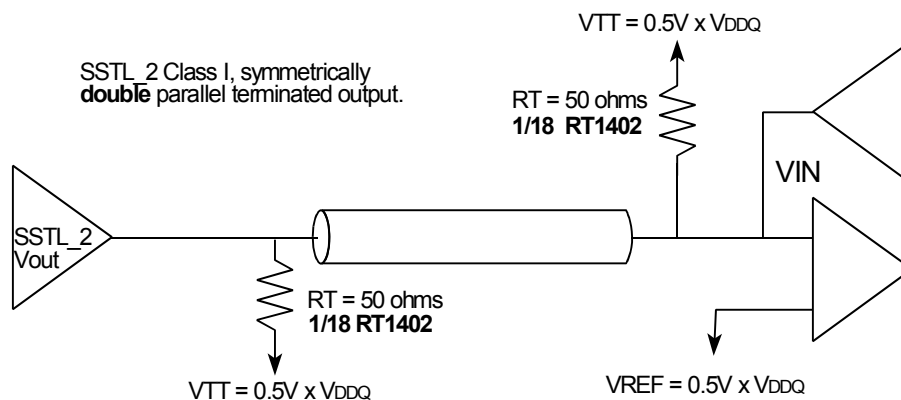
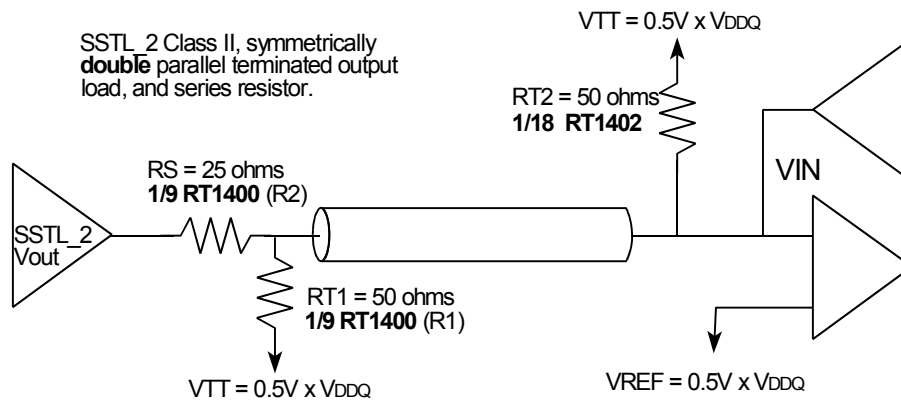
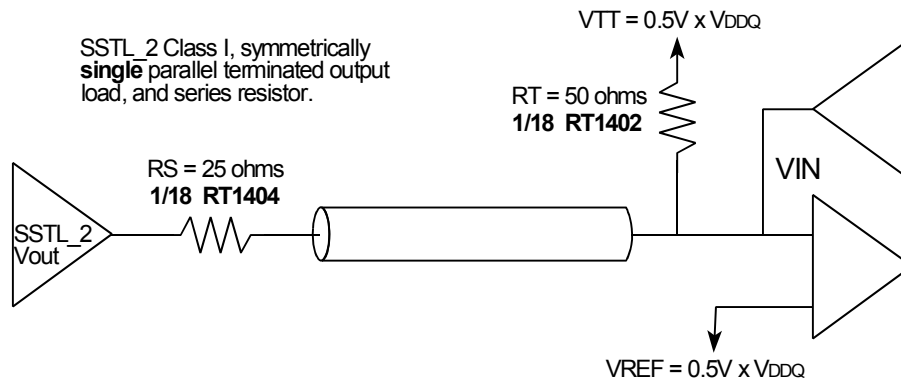
## Recommended Land Pattern

Refer to [www.ctscorp.com/resistor](http://www.ctscorp.com/resistor) for Land Pattern Library

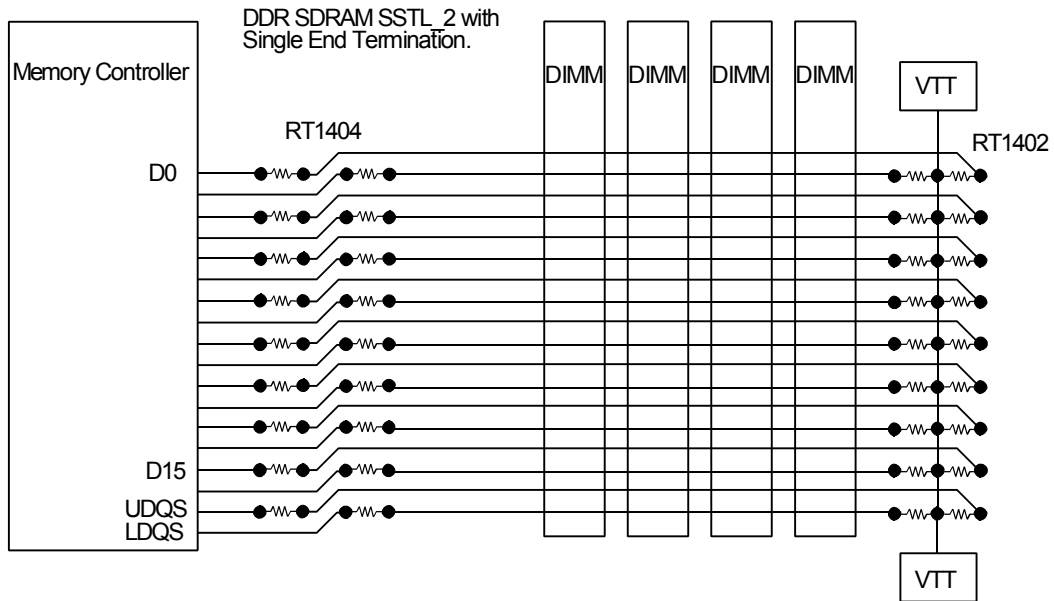


For .006" thick Solder Paste Stencil, Aperture Opening Should be Equal to the PCB Pad Diameter.

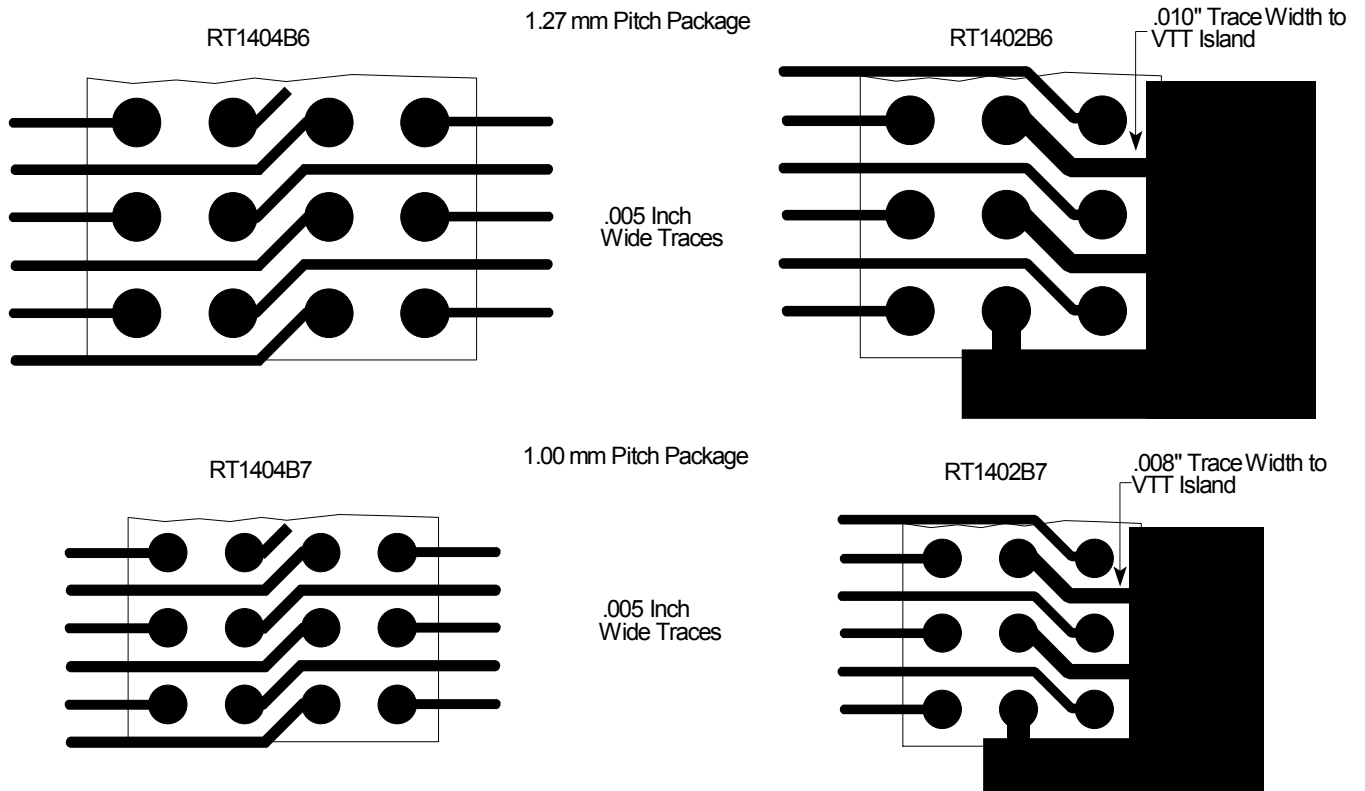
## Applications



# Applications



## BGA Routing Scheme



## Electrical Specifications

**Resistor Tolerance:**  
±1.0%

**Temperature Coefficient of Resistance:**  
±200 ppm/°C

**Maximum Resistor Power:**  
0.05 Watts at 70°C  
(Not to Exceed Total Network Power)

**Package Power Rating:**  
1.0 Watt at 70°C