

Standard 8K x 8 SRAM

Features

- 8192 x 8 bit static CMOS RAM
- 70 and 100 ns Access Times
- Common data inputs and outputs
- Three-state outputs
- Typ. operating supply current
 - 70 ns: 45 mA
 - 100 ns: 37 mA
- Data retention current at 3 V: < 10 μ A (standard)
- Standby current standard < 30 μ A
- Standby current low power (L) < 10 μ A
- Standby current very low power (LL) < 1 μ A
- Standby current for LL-version at 25 $^{\circ}$ C and 5 V: typ. 50 nA
- TTL/CMOS-compatible
- Automatic reduction of power dissipation in long Read or Write cycles
- Power supply voltage 5 V
- Operating temperature ranges:
 - 0 to 70 $^{\circ}$ C
 - 25 to 85 $^{\circ}$ C
 - 40 to 85 $^{\circ}$ C
- Quality assessment according to CECC 90000, CECC 90100 and CECC 90111

- ESD protection > 2000 V (MIL STD 883C M3015.7)
- Latch-up immunity > 100 mA
- Packages: PDIP28 (600 mil)
SOP28 (300 mil)
SOP28 (330 mil)

Description

The U6264A is a static RAM manufactured using a CMOS process technology with the following operating modes:

- Read - Standby
- Write - Data Retention

The memory array is based on a 6-transistor cell.

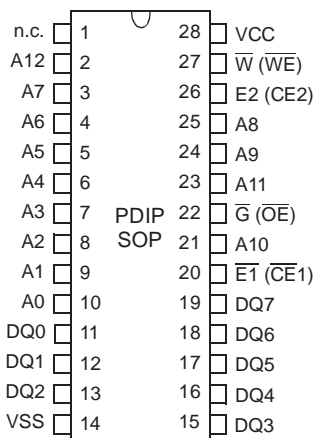
The circuit is activated by the rising edge of E2 (at $\overline{E1} = L$), or the falling edge of $\overline{E1}$ (at E2 = H). The address and control inputs open simultaneously. According to the information of \overline{W} and \overline{G} , the data inputs, or outputs, are active. During the active state ($\overline{E1} = L$ and E2 = H), each address change leads to a new Read or Write cycle. In a Read cycle, the data outputs are activated by the falling edge of \overline{G} , afterwards the data word read will be available at the outputs

DQ0 - DQ7. After the address change, the data outputs go High-Z until the new read information is available. The data outputs have no preferred state. If the memory is driven by CMOS levels in the active state, and if there is no change of the address, data input and control signals \overline{W} or \overline{G} , the operating current (at $I_O = 0$ mA) drops to the value of the operating current in the Standby mode. The Read cycle is finished by the falling edge of E2 or \overline{W} , or by the rising edge of E1, respectively.

Data retention is guaranteed down to 2 V. With the exception of E2, all inputs consist of NOR gates, so that no pull-up/pull-down resistors are required. This gate circuit allows to achieve low power standby requirements by activation with TTL-levels too.

If the circuit is inactivated by E2 = L, the standby current (TTL) drops to 150 μ A typ.

Pin Configuration



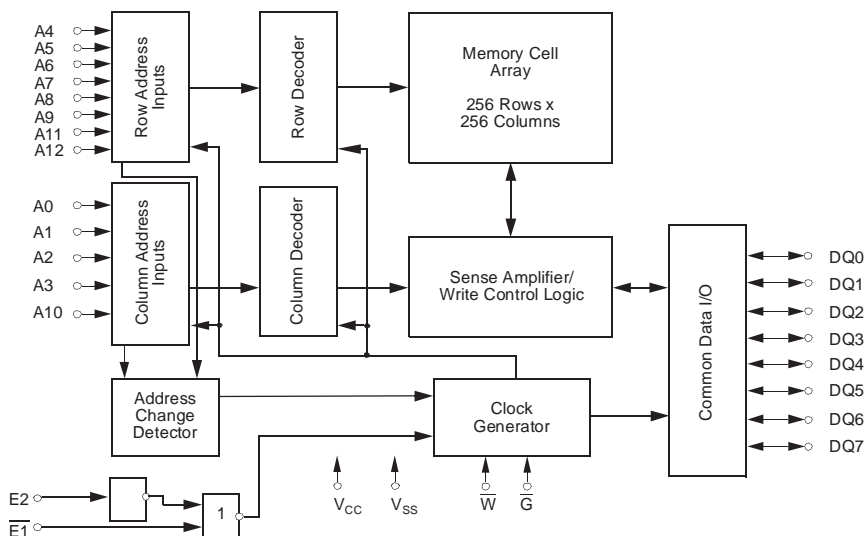
Top View

Pin Description

Signal Name	Signal Description
A0 - A12	Address Inputs
DQ0 - DQ7	Data In/Out
E1	Chip Enable 1
E2	Chip Enable 2
\overline{G}	Output Enable
\overline{W}	Write Enable
VCC	Power Supply Voltage
VSS	Ground
n.c.	not connected

U6264A

Block Diagram



Truth Table

Operating Mode	\bar{E}_1	E_2	\bar{W}	\bar{G}	DQ0 - DQ7
Standby/not selected	*	L	*	*	High-Z
	H	*	*	*	High-Z
Internal Read	L	H	H	H	High-Z
Read	L	H	H	L	Data Outputs Low-Z
Write	L	H	L	*	Data Inputs High-Z

* H or L

Characteristics

All voltages are referenced to $V_{SS} = 0$ V (ground).

All characteristics are valid in the power supply voltage range and in the operating temperature range specified.

Dynamic measurements are based on a rise and fall time of ≤ 5 ns, measured between 10% and 90% of V_i , as well as input levels of $V_{iL} = 0$ V and $V_{iH} = 3$ V. The timing reference level of all input and output signals is 1.5 V, with the exception of the t_{dis} -times, in which cases transition is measured ± 200 mV from steady-state voltage.

Maximum Ratings	Symbol	Min.	Max.	Unit
Power Supply Voltage	V_{CC}	-0.3	7	V
Input Voltage	V_i	-0.3	$V_{CC} + 0.5$	V
Output Voltage	V_o	-0.3	$V_{CC} + 0.5$	V
Power Dissipation	P_D	-	1	W
Operating Temperature	C-Type	0	70	$^{\circ}\text{C}$
	G-Type	-25	85	$^{\circ}\text{C}$
	K-Type	-40	85	$^{\circ}\text{C}$
Storage Temperature	T_{stg}	-55	125	$^{\circ}\text{C}$

Recommended Operating Conditions	Symbol	Conditions	Min.	Max.	Unit
Power Supply Voltage	V_{CC}		4.5	5.5	V
Data Retention Voltage	$V_{CC(DR)}$		2.0		V
Input Low Voltage*	V_{IL}		-0.3	0.8	V
Input High Voltage	V_{IH}		2.2	$V_{CC} + 0.3$	V

* -2 V at Pulse Width 10 ns

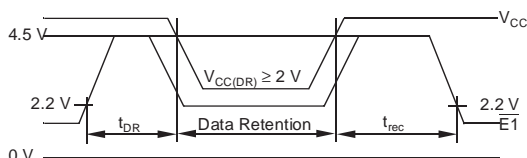
Electrical Characteristics	Symbol	Conditions	Min.	Max.	Unit
Supply Current - Operating Mode	$I_{CC(OP)}$	$V_{CC} = 5.5\text{ V}$ $V_{IL} = 0.8\text{ V}$ $V_{IH} = 2.2\text{ V}$			
Standard		$t_{cW} = 70\text{ ns}$ $t_{cW} = 100\text{ ns}$		70 60	 mA mA
Low Power (L)		$t_{cW} = 70\text{ ns}$ $t_{cW} = 100\text{ ns}$		70 60	 mA mA
Very Low Power (LL)		$t_{cW} = 70\text{ ns}$ $t_{cW} = 100\text{ ns}$		55 45	 mA mA
Supply Current - Standby Mode (CMOS level)	$I_{CC(SB)}$	$V_{CC} = 5.5\text{ V}$ $V_{E1} = V_{E2} = V_{CC} - 0.2\text{ V}$ or $V_{E2} = 0.2\text{ V}$			
Standard				30	μA
Low Power (L)				10	μA
Very Low Power (LL)				1	μA
Supply Current - Standby Mode (TTL level)	$I_{CC(SB)1}$	$V_{CC} = 5.5\text{ V}$ $V_{E1} = V_{E2} = 2.2\text{ V}$ or $V_{E2} = 0.2\text{ V}$			
Standard				5	 mA
Low Power (L)				5	 mA
Very Low Power (LL)				3	 mA
Supply Current - Data Retention Mode	$I_{CC(DR)}$	$V_{CC(DR)} = 3\text{ V}$ $V_{E1} = V_{E2} = V_{CC(DR)} - 0.2\text{ V}$ or $V_{E2} = 0.2\text{ V}$			
Standard				10	 μA
Low Power (L)				10	 μA
Very Low Power (LL)				1	 μA

U6264A

Electrical Characteristics	Symbol	Conditions	Min.	Max.	Unit
Output High Voltage	V_{OH}	$V_{CC} = 4.5\text{ V}$ $I_{OH} = -1.0\text{ mA}$	2.4		V
Output Low Voltage	V_{OL}	$V_{CC} = 4.5\text{ V}$ $I_{OL} = 3.2\text{ mA}$		0.4	V
Input Leakage Current Standard & Low Power (L)					
High	I_{IH}	$V_{CC} = 5.5\text{ V}$ $V_{IH} = 5.5\text{ V}$		2	μA
Low	I_{IL}	$V_{CC} = 5.5\text{ V}$ $V_{IL} = 0\text{ V}$	-2		μA
Very Low Power (LL)					
High	I_{IH}	$V_{CC} = 5.5\text{ V}$ $V_{IH} = 5.5\text{ V}$		1	μA
Low	I_{IL}	$V_{CC} = 5.5\text{ V}$ $V_{IL} = 0\text{ V}$	-1		μA
Output High Current	I_{OH}	$V_{CC} = 4.5\text{ V}$ $V_{OH} = 2.4\text{ V}$		-1	mA
Output Low Current	I_{OL}	$V_{CC} = 4.5\text{ V}$ $V_{OL} = 0.4\text{ V}$	3.2		mA
Output Leakage Current Standard & Low Power (L)					
High at Three-State Outputs	I_{OHZ}	$V_{CC} = 5.5\text{ V}$ $V_{OH} = 5.5\text{ V}$		2	μA
Low at Three-State Outputs	I_{OLZ}	$V_{CC} = 5.5\text{ V}$ $V_{OL} = 0\text{ V}$	-2		μA
Very Low Power (LL)					
High at Three-State Outputs	I_{OHZ}	$V_{CC} = 5.5\text{ V}$ $V_{OH} = 5.5\text{ V}$		1	μA
Low at Three-State Outputs	I_{OLZ}	$V_{CC} = 5.5\text{ V}$ $V_{OL} = 0\text{ V}$	-1	-	μA

Switching Characteristics	Symbol		Min.		Max.		Unit
	Alt.	IEC	07	10	07	10	
Time to Output in Low-Z	t_{LZ}	$t_{t(QX)}$	5	5	10	10	ns
Cycle Time							
Write Cycle Time	t_{WC}	t_{cW}	70	100			ns
Read Cycle Time	t_{RC}	t_{cR}	70	100			ns
Access Time							
$\overline{E1}$ LOW or E2 HIGH to Data Valid	t_{ACE}	$t_{a(E)}$	-	-	70	100	ns
\overline{G} LOW to Data Valid	t_{OE}	$t_{a(G)}$	-	-	40	50	ns
Address to Data Valid	t_{AA}	$t_{a(A)}$	-	-	70	100	ns
Pulse Widths							
Write Pulse Width	t_{WP}	$t_{w(W)}$	50	70			ns
Chip Enable to End of Write	t_{CW}	$t_{w(E)}$	65	90			ns
Setup Times							
Address Setup Time	t_{AS}	$t_{su(A)}$	0	0			ns
Chip Enable to End of Write	t_{CW}	$t_{su(E)}$	65	90			ns
Write Pulse Width	t_{WP}	$t_{su(W)}$	50	70			ns
Data Setup Time	t_{DS}	$t_{su(D)}$	35	40			ns
Data Hold Time							
Address Hold from End of Write	t_{DH}	$t_{h(D)}$	0	0			ns
	t_{AH}	$t_{h(A)}$	0	0			ns
Output Hold Time from Address Change	t_{OH}	$t_{v(A)}$	5	5			ns
$\overline{E1}$ HIGH or E2 LOW to Output in High-Z	t_{HZCE}	$t_{dis(E)}$	0	0	25	35	ns
\overline{W} LOW to Output in High-Z	t_{HZWE}	$t_{dis(W)}$	0	0	30	35	ns
\overline{G} HIGH to Output in High-Z	t_{HZOE}	$t_{dis(G)}$	0	0	25	35	ns

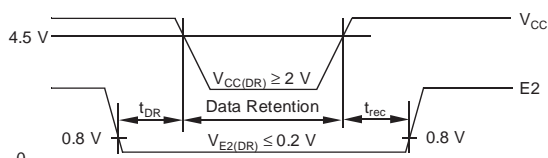
Data Retention Mode $\overline{E1}$ -Controlled



$$V_{E2(DR)} \geq V_{CC(DR)} - 0.2 \text{ V or } V_{E2(DR)} \leq 0.2 \text{ V}$$

$$V_{CC(DR)} - 0.2 \text{ V} \leq V_{E1(DR)} \leq V_{CC(DR)} + 0.3 \text{ V}$$

Data Retention Mode E2-Controlled



Chip Deselect to Data Retention Time

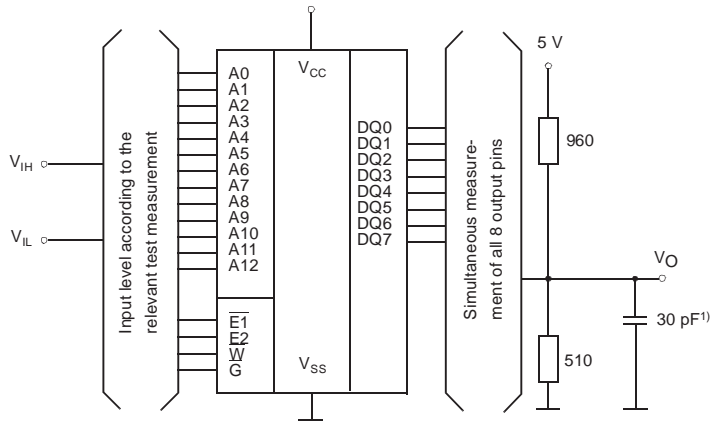
t_{DR} : min 0 ns

Operating Recovery Time

t_{rec} : min t_{cR}

U6264A

Test Configuration for Functional Check



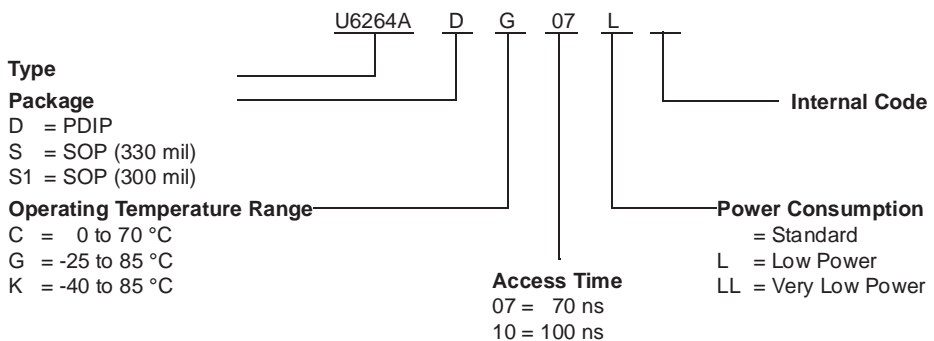
1) In measurement of $t_{dis(E)}$, $t_{dis(W)}$, $t_{dis(G)}$ the capacitance is 5 pF.

Capacitance	Conditions	Symbol	Min.	Max.	Unit
Input Capacitance	$V_{CC} = 5.0 \text{ V}$ $V_I = V_{SS}$	C_I		8	pF
Output Capacitance	$f = 1 \text{ MHz}$ $T_a = 25^\circ\text{C}$	C_O		10	pF

All pins not under test must be connected with ground by capacitors.

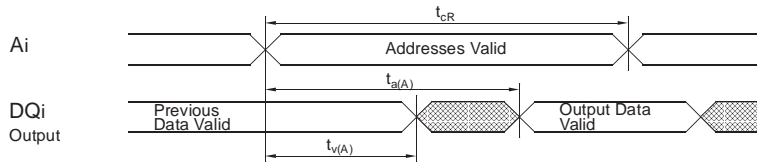
IC Code Numbers

Example

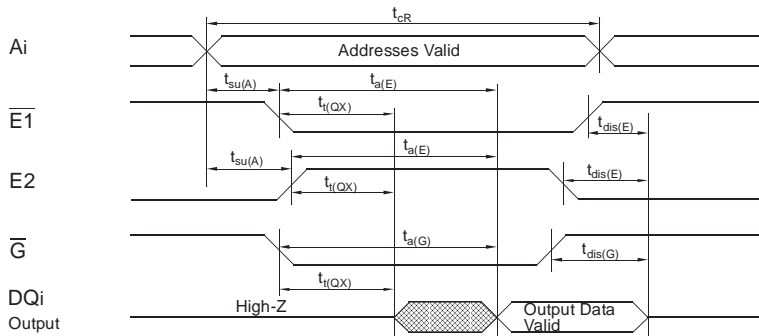


The date of manufacture is given by the last 4 digits of the mark, the first 2 digits indicating the year, and the last 2 digits the calendar week.

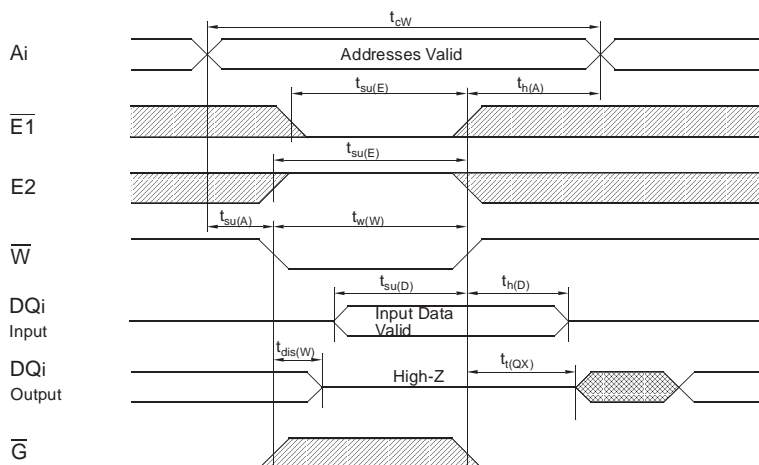
Read Cycle 1 (during Read cycle: $\overline{E1} = \overline{G} = V_{IL}$, $E2 = \overline{W} = V_{IH}$)



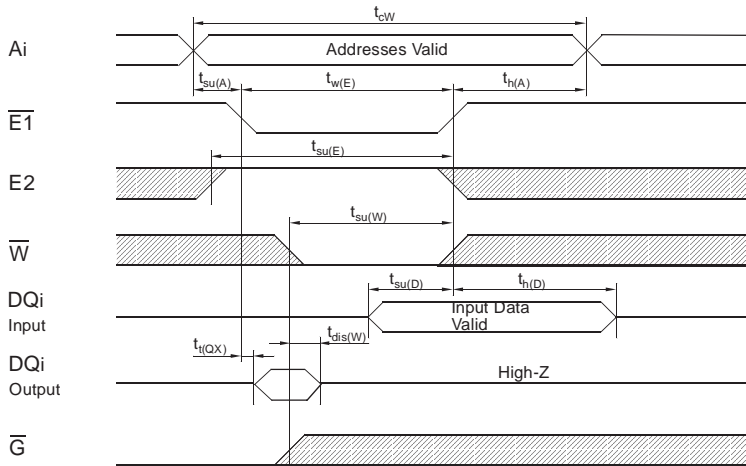
Read Cycle 2 (during Read cycle: $\overline{W} = V_{IH}$)



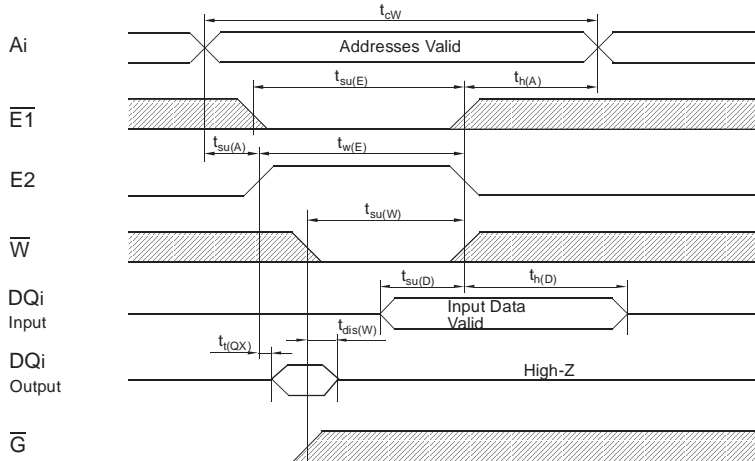
Write Cycle 1 (\overline{W} -controlled)



Write Cycle 2 ($\overline{E1}$ -controlled)



Write Cycle 3 (E2-controlled)



undefined



L- or H-level





Memory Products 1998

Standard 8K x 8 SRAM U6264A

LIFE SUPPORT POLICY

ZMD products are not designed, intended, or authorized for use as components in systems intended for surgical implant into the body, or other applications intended to support or sustain life, or for any other application in which the failure of the ZMD product could create a situation where personal injury or death may occur. Components used in life-support devices or systems must be expressly authorized by ZMD for such purpose.

The information describes the type of component and shall not be considered as assured characteristics.

Terms of delivery and rights to change design reserved.

Zentrum Mikroelektronik Dresden GmbH

Grenzstraße 28 • D-01109 Dresden • P. O. B. 80 01 34 • D-01101 Dresden • Germany
Phone: +49 351 88 22-3 06 • Fax: +49 351 88 22-3 37 • Email: sales@zmd.de
Internet Web Site: <http://www.zmd.de>